

## GPS LOW NOISE AMPLIFIER GaAs MMIC

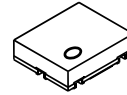
### ■ GENERAL DESCRIPTION

This IC is a Low noise amplifier GaAs MMIC designed for GPS. This amplifier provides low noise figure, high gain and high IP3 operated by single low positive power supply.

This amplifier can be tuned to wide frequency point (1.5GHz~2.4GHz).

An ultra-small and ultra-thin package of USB6-A8 is adopted.

### ■ PACKAGE OUTLINE

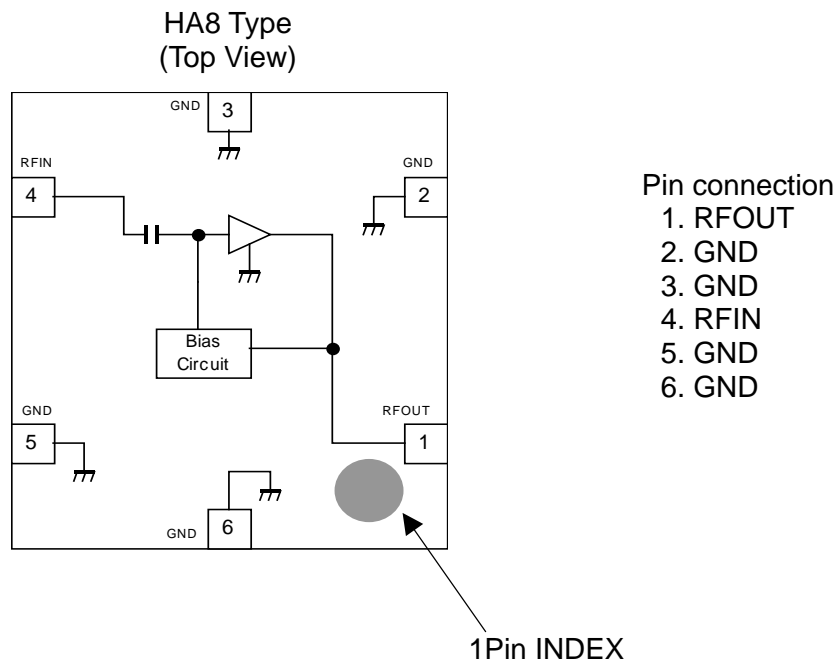


NJG1117HA8

### ■ FEATURES

- |   |  |
|---|--|
| ● Low voltage operation                     | +2.7V typ.                             |
| ● Low current consumption                   | 3.0mA typ.                             |
| ● High small signal gain                    | 19.5dB typ. @ f=1.575GHz               |
| ● Low noise figure                          | 0.7dB typ. @ f=1.575GHz                |
| ● Input power at 1dB gain compression point | -16.5 dBm typ. @f=1.575GHz             |
| ● High input IP3                            | -2.0dBm typ. @f=1.575GHz+1.5751GHz     |
| ● Ultra-small & ultra-thin package          | USB6-A8 (Package size: 1.0x1.2x0.38mm) |

### ■ PIN CONFIGURATION



Note: Specifications and description listed in this datasheet are subject to change without notice.

# NJG1117HA8

## ■ ABSOLUTE MAXIMUM RATINGS

$T_a=+25^{\circ}\text{C}$ ,  $Z_s=Z_l=50\ \text{ohm}$

PARAMETER	SYMBOL	CONDITIONS	RATINGS	UNITS
Drain Voltage	$V_{DD}$		5.0	V
Input power	$P_{in}$	$V_{DD}=2.7\text{V}$	+15	dBm
Power dissipation	$P_D$	On PCB board, $T_{jmax}=150^{\circ}\text{C}$	150	mW
Operating temperature	$T_{opr}$		-40~+85	$^{\circ}\text{C}$
Storage temperature	$T_{stg}$		-55~+150	$^{\circ}\text{C}$

## ■ ELECTRICAL CHARACTERISTICS

GENERAL CONDITIONS:  $V_{DD}=2.7\text{V}$ ,  $f_{RF}=1575\text{MHz}$ ,  $T_a=+25^{\circ}\text{C}$ ,  $Z_s=Z_l=50\ \text{ohm}$ , with application circuit.

PARAMETERS	SYMBOL	CONDITIONS	MIN	TYP	MAX	UNITS
Operating Frequency	freq		1.57	1.575	1.58	GHz
Operating voltage	$V_{DD}$		2.5	2.7	3.6	V
Operating current1	$I_{DD}$	RF OFF	-	3.0	4.0	mA
Small signal gain	Gain		17.5	19.5	22.0	dB
Noise figure	NF	Exclude PCB & connector losses (IN: 0.05dB)	-	0.7	1.0	dB
Input power at 1dB gain compression point	$P_{-1dB(IN)}$		-19.0	-16.5	-	dBm
Input 3rd order intercept point	IIP3	$f_1=f_{RF}$ , $f_2=f_{RF}+100\text{kHz}$ , $P_{in}=-34\text{dBm}$	-8.0	-2.0	-	dBm
RF IN VSWR	VSWR <sub>i</sub>		-	2.0	2.5	
RF OUT VSWR	VSWR <sub>o</sub>		-	1.5	2.0	

## ■ TERMINAL INFORMATION

No.	SYMBOL	DESCRIPTION
1	RFOUT	RF Output and voltage supply pin. An external output matching circuit and a bypass capacitor are required. L3 is a RF choke inductor. These elements are used as output matching circuit.
2	GND	Ground terminal. (0V)
3	GND	Ground terminal. (0V)
4	RFIN	RF input pin. A DC blocking capacitor is not required. An external input matching circuit is required.
5	GND	Ground terminal. (0V)
6	GND	Ground terminal. (0V)

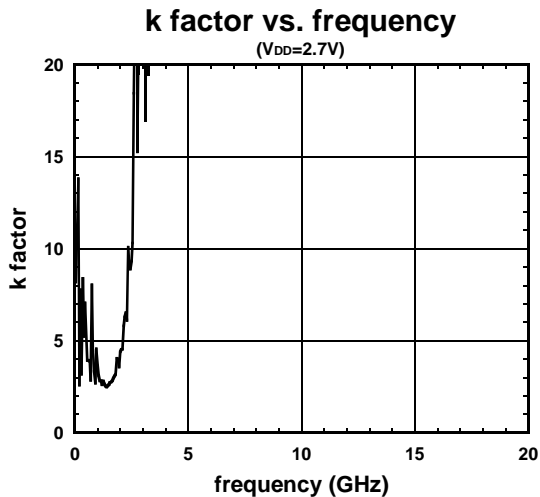
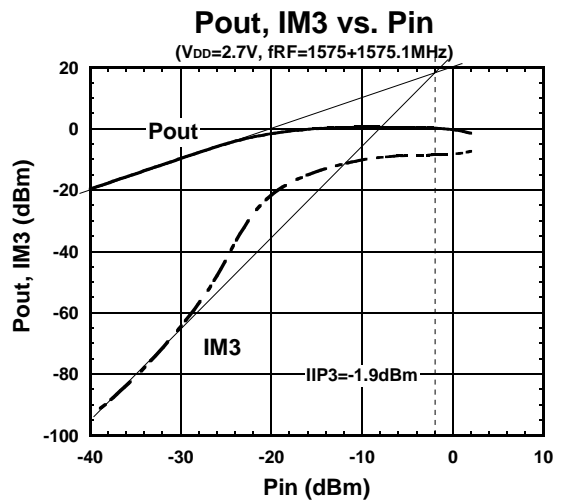
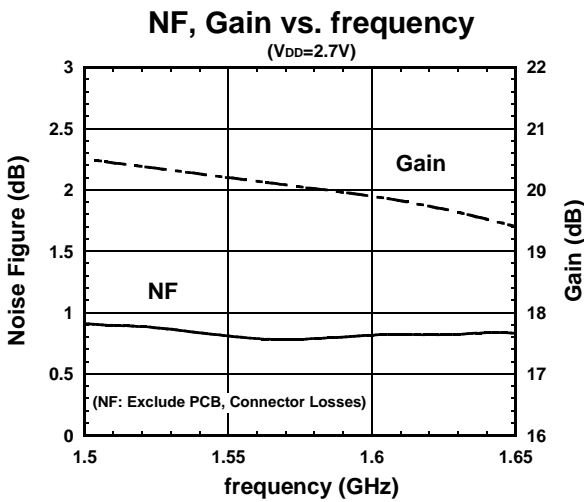
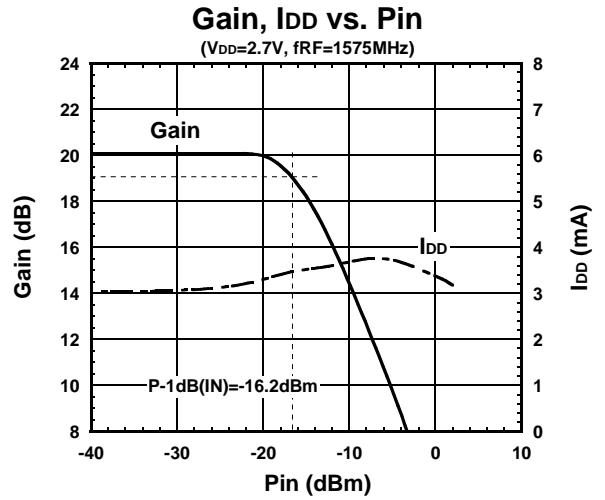
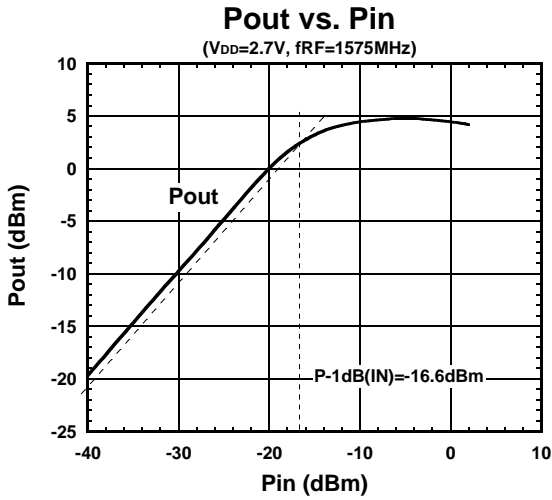
### CAUTION

1) Ground terminal (2, 3, 5, 6) should be connected with the ground plane as low inductance as possible.

# NJG1117HA8

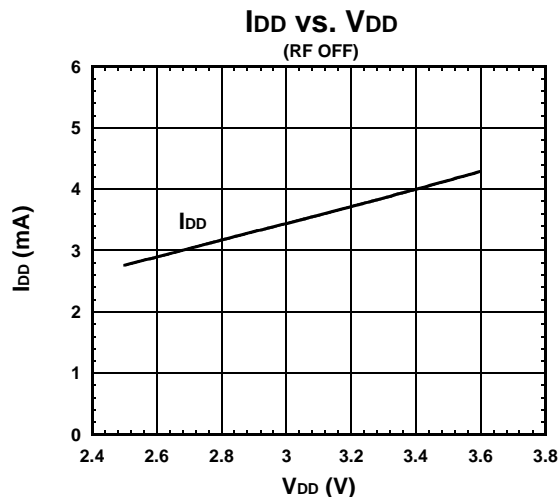
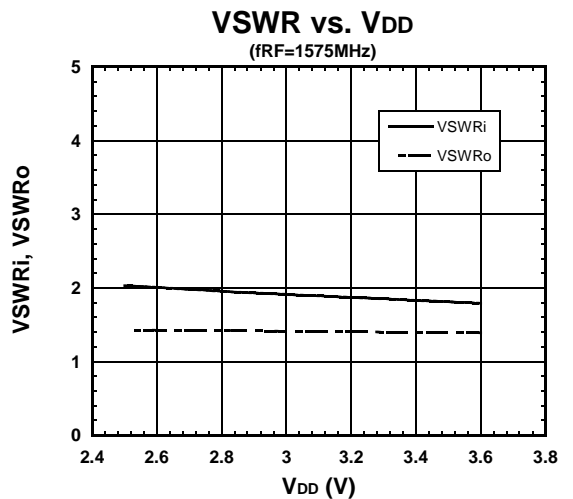
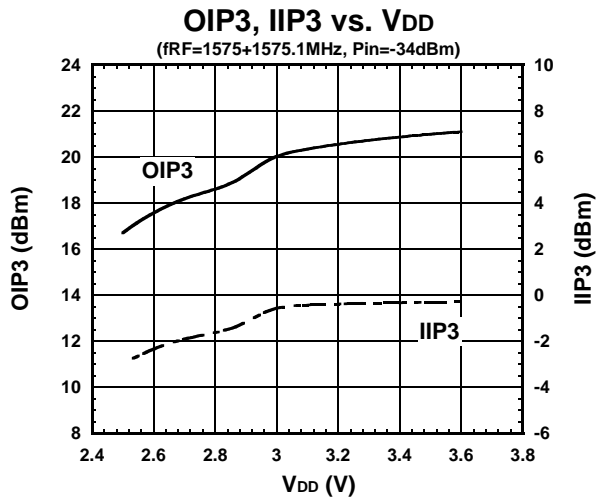
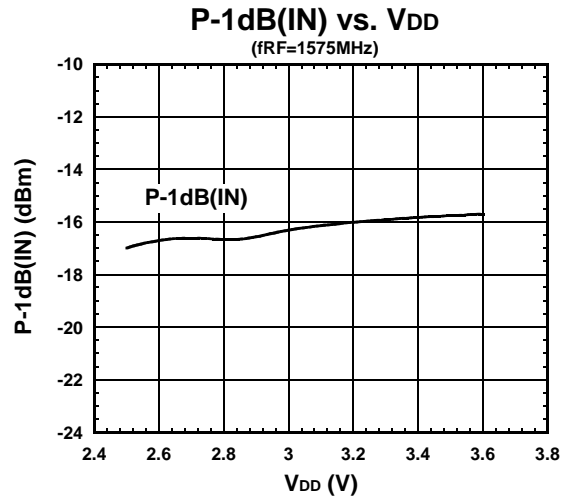
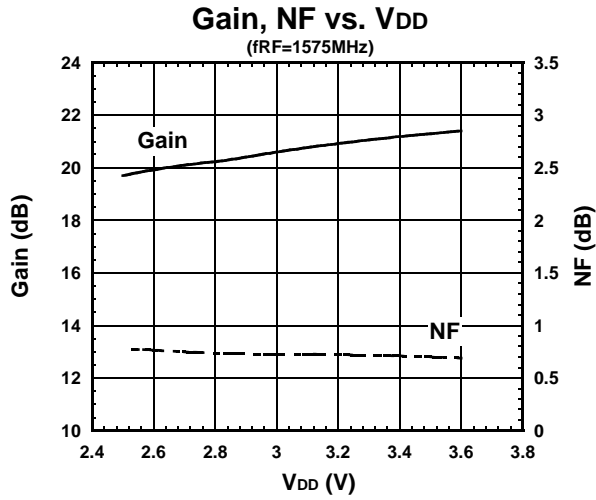
## ■ ELECTRICAL CHARACTERISTICS

(Conditions:  $T_a=+25^\circ\text{C}$ ,  $V_{DD}=2.7\text{V}$ ,  $Z_s=Z_l=50\ \text{ohm}$ , with application circuit.)



## ELECTRICAL CHARACTERISTICS

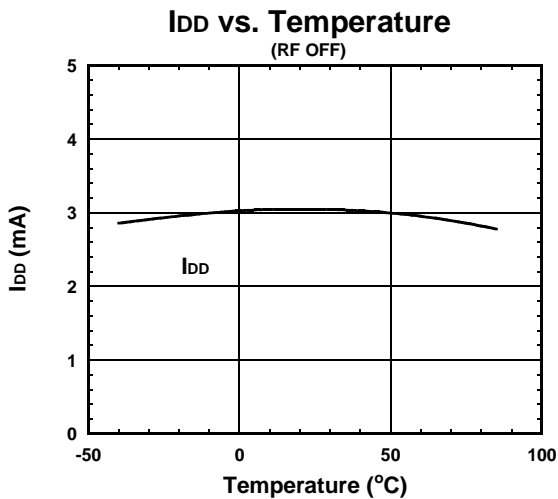
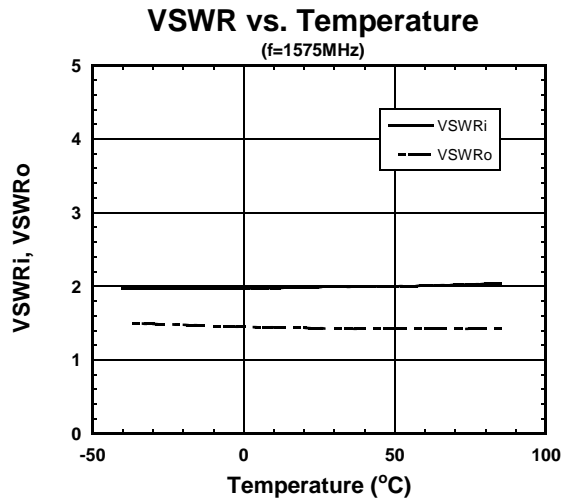
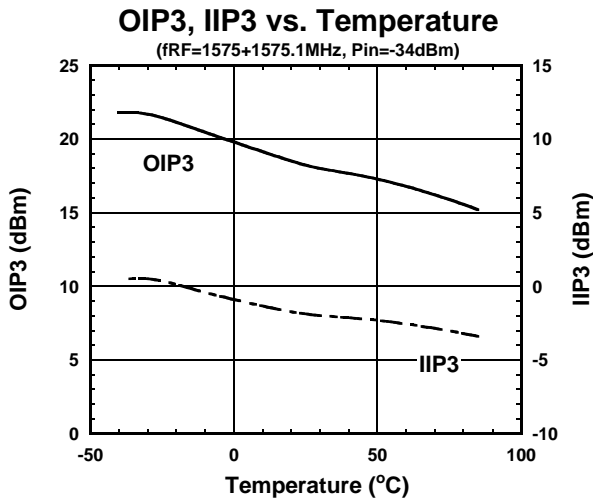
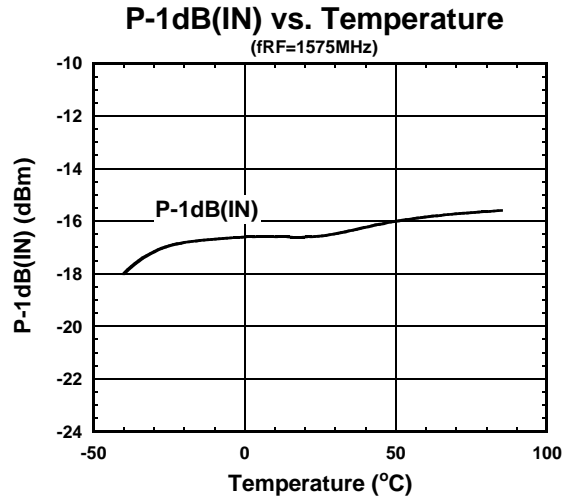
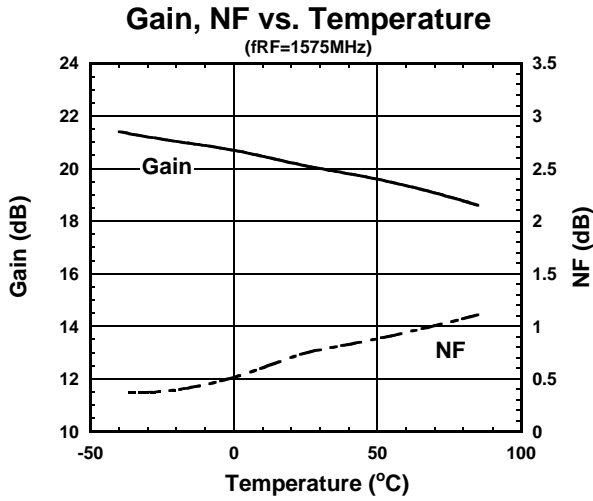
(Conditions:  $T_a=+25^{\circ}\text{C}$ ,  $V_{DD}=2.7\text{V}$ ,  $Z_s=Z_l=50\ \Omega$ , with application circuit.)



# NJG1117HA8

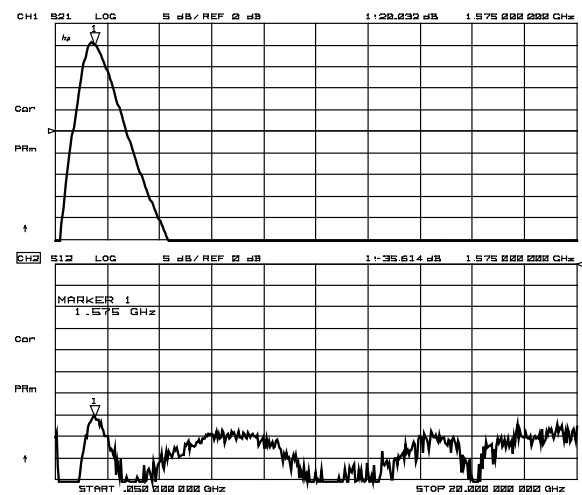
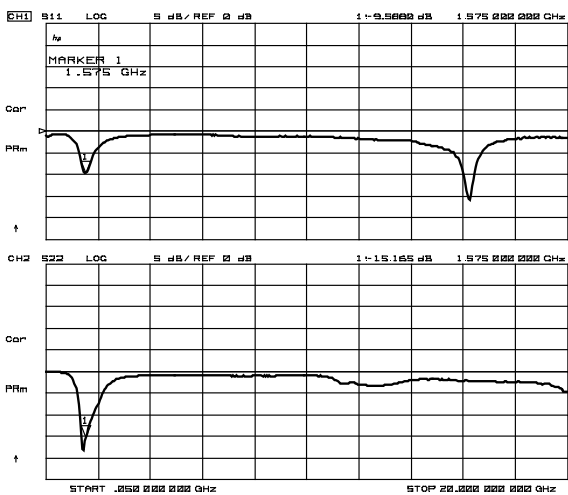
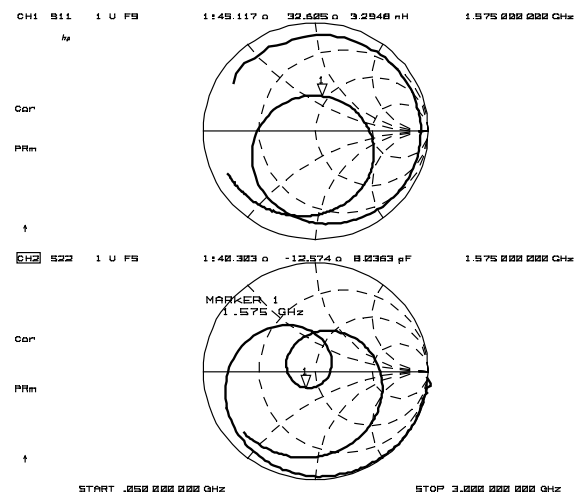
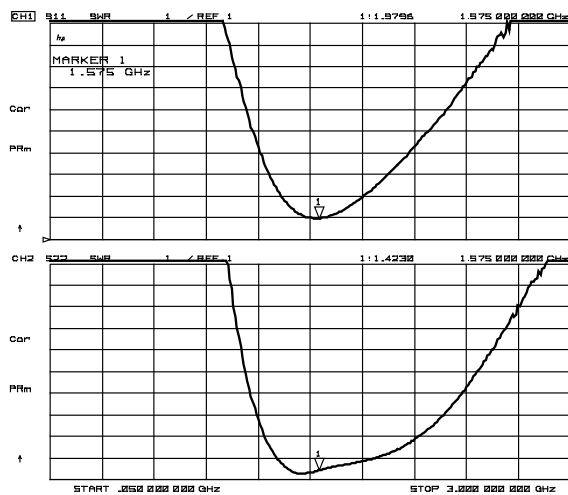
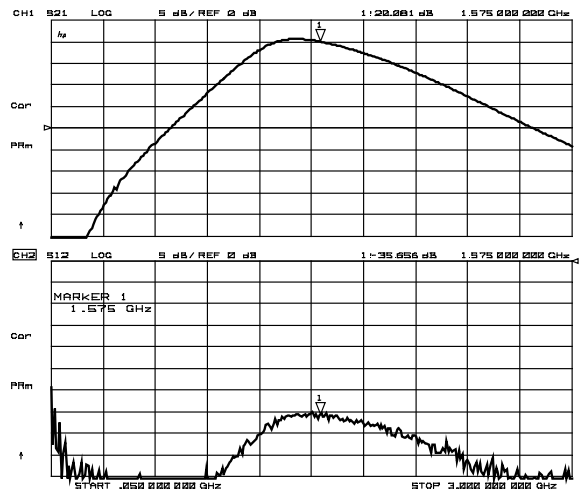
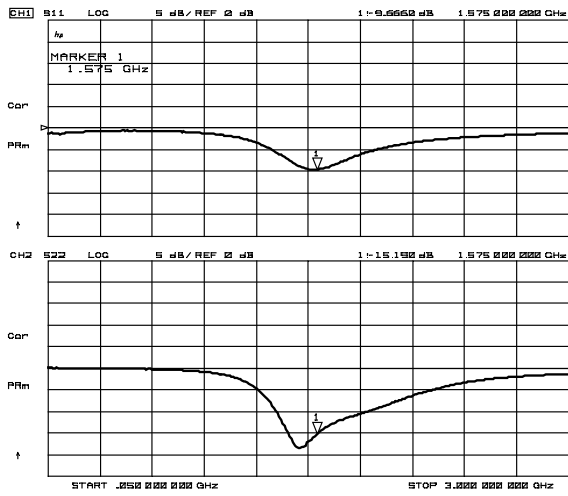
## ■ ELECTRICAL CHARACTERISTICS

(Conditions:  $T_a=+25^\circ\text{C}$ ,  $V_{DD}=2.7\text{V}$ ,  $Z_s=Z_l=50\ \Omega$ , with application circuit.)



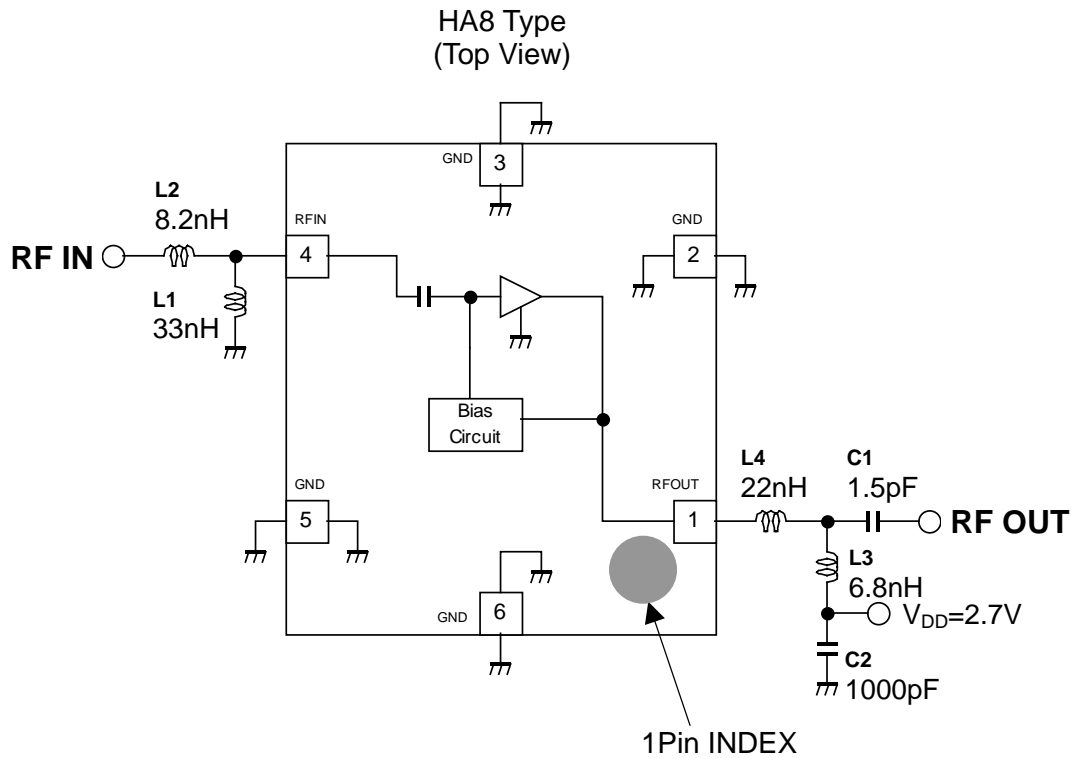
## ELECTRICAL CHARACTERISTICS

(Conditions:  $T_a=+25^{\circ}\text{C}$ ,  $V_{DD}=2.7\text{V}$ ,  $Z_s=Z_l=50\ \text{ohm}$ , with application circuit.)

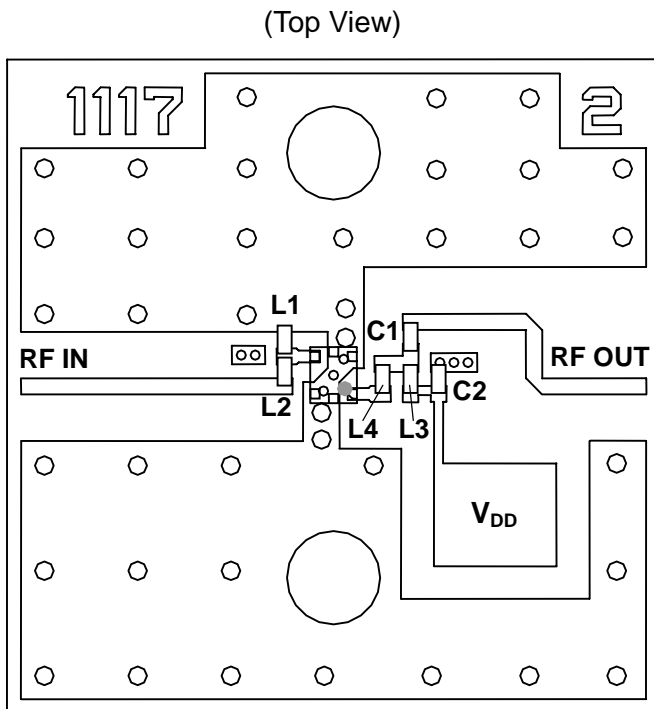


# NJG1117HA8

## APPLICATION CIRCUIT



## TEST PCB LAYOUT



### Parts list

Parts ID	Comment
L1 ~ L3	MURATA (LQP03T Series)
L4	TDK (MLK0603 Series)
C1 ~ C2	MURATA (GRM03 Series)

### PCB (FR-4):

t=0.2mm

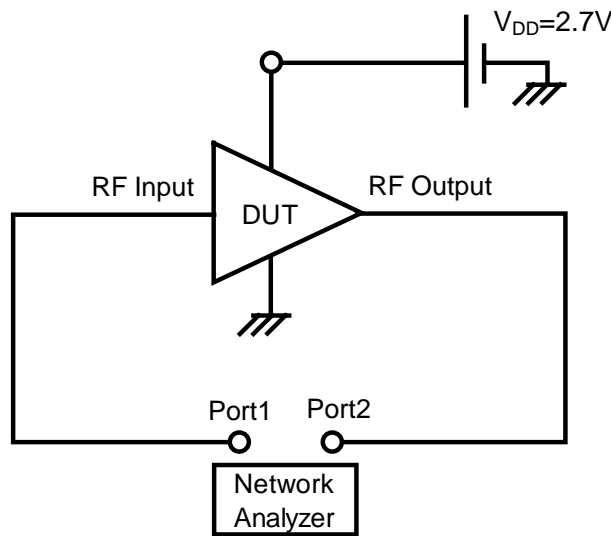
MICROSTRIP LINE WIDTH

=0.34mm ( $Z_0=50 \text{ ohm}$ )

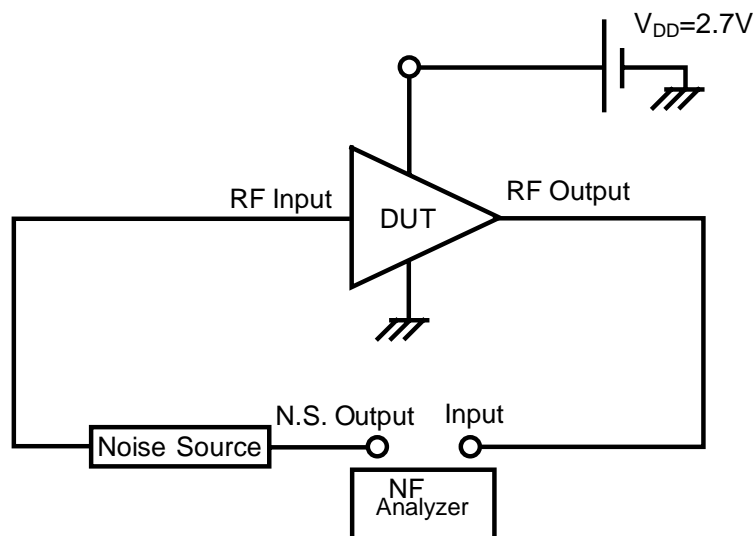
PCB SIZE=14.0mm x 14.0mm



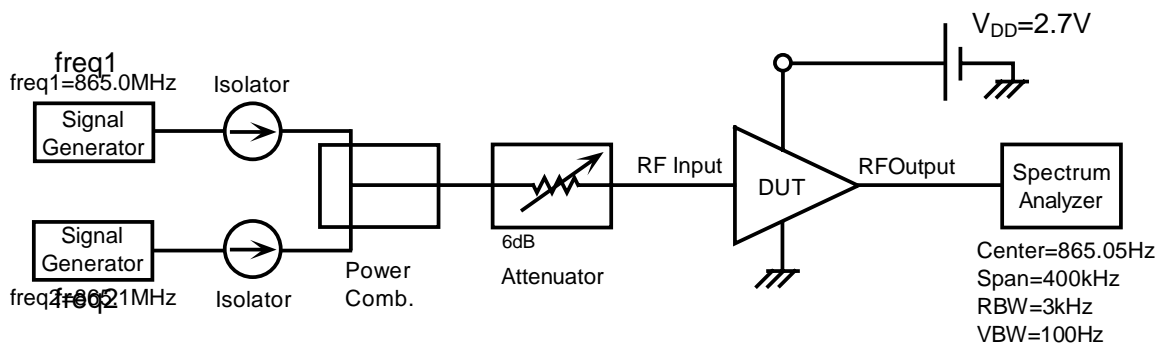
## MEASUREMENT BLOCK DIAGRAM



S parameter Measurement Block Diagram



Noise Figure Measurement Block Diagram



IF and IM3 Measurement Block Diagram for IIP3

