

TEW4976 is designed and recommended to be used as a transmit transformer in T1 and CEPT applications with the following devices:

CRYSTAL CS61535A, CS61574A, CS61575 CS6158A.

Level One LXT304A, LXT305A

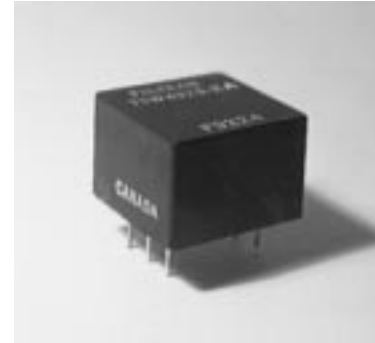
Complies with ANSI T1.408 and CCITT I.431.

Typical applications are:

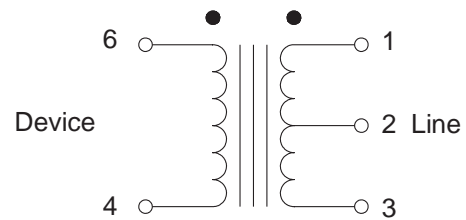
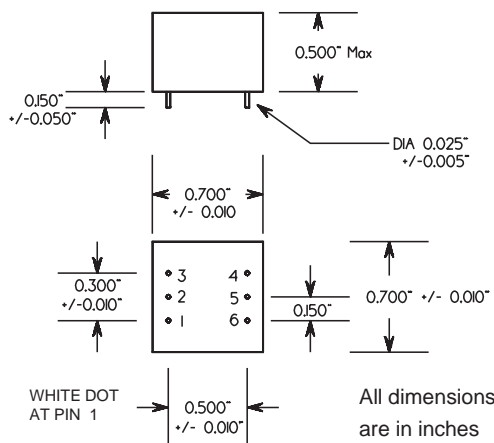
- Primary rate ISDN network nodes.
- PBX or computer to T1/CEPT Digital Trunks.
- TDM Multiplexers.

BABT certified for reinforced insulation to **EN60950 & EN41003**

Cert # : CR/T/0052



MECHANICAL



ELECTRICAL SPECIFICATIONS

TEW4976 - 1 - 2 - 3 - 4

Line Impedance	(1 - 3) (1 - 2)	100 Ω	75 Ω	120 Ω	120 Ω 75 Ω
Turns ratio	(6 - 4) : (1 - 3) (6 - 4) : (1 - 2)	1 : 1.16 c.t	1 : 1 c.t	1 : 1.26 c.t	1 : 1.26 1:1
Inductance (mH)	(1 - 3)	> 1.5	> 1.2	> 1.8	>1.8
Pulse Mask		T1	CEPT	CEPT	CEPT
Longitud. Bal. (dB)	50 - 1.544 KHz	> 40	> 40	> 40	> 40
Dielectric Strength (Vrms)		4000	4000	4000	4000

ISSUE: C. 95/04/25 TEW4976.chp