

Token Ring Transceiver Module

EPT7075

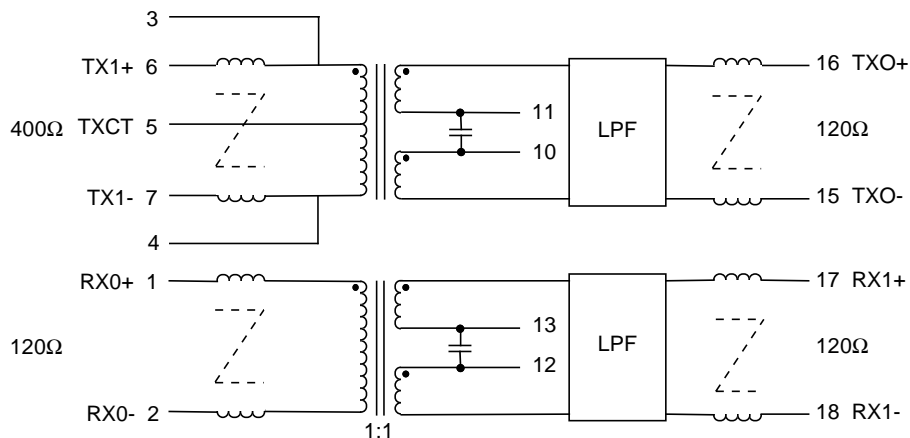


- Designed for Pericom PIC 3020 •
[Also recommended for PIC 3000A]
- Optimized for 120Ω Cable Operations •
- Enhanced Common Mode Rejection Capability •
- Complies with or exceeds IEEE 802.5 Requirements •

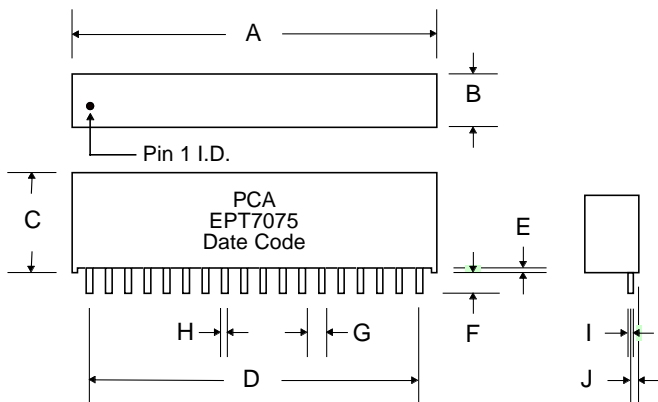
Electrical Parameters @ 25° C

Impedance (Ω) [Xmit/Rcv]	Insertion Loss (dB Max.)						Return Loss (dB Min.)						Common Mode Rejection (dB Min.)						Crosstalk (dB Min.)		
	1-16 MHz		32 MHz		36 MHz		1-6 MHz		6-17 MHz		17-25 MHz		1-30 MHz		30-100 MHz		100-200 MHz			200-300 MHz	
Chip Side 400/120																					
Cable Side	Xmit	Rcv	Xmit	Rcv	Xmit	Rcv	Xmit	Rcv	Xmit	Rcv	Xmit	Rcv	Xmit	Rcv	Xmit	Rcv	Xmit	Rcv	Xmit	Rcv	
120	-6	-1	-7	-7	-20	-20	-18	-15	-12	-15	-8	-10	-65	-40	-30	-30	-30	-30	-30	-30	-35

Schematic



Package



Dimensions

Dim.	(Inches)			(Millimeters)		
	Min.	Max.	Nom.	Min.	Max.	Nom.
A	1.890	1.900		37.85	38.10	
B	.240	.250		6.73	6.99	
C	.510	.520		11.43	11.68	
D	1.300	Typ.		33.02	Typ.	
E	.010	.030		.254	.381	
F	.125	.150		3.18	3.56	
G	.100	Typ.		2.54	Typ.	
H	.015	.021		.381	.533	
I	.008	.012		.203	.305	
J	.035	Typ.		3.43	.356	