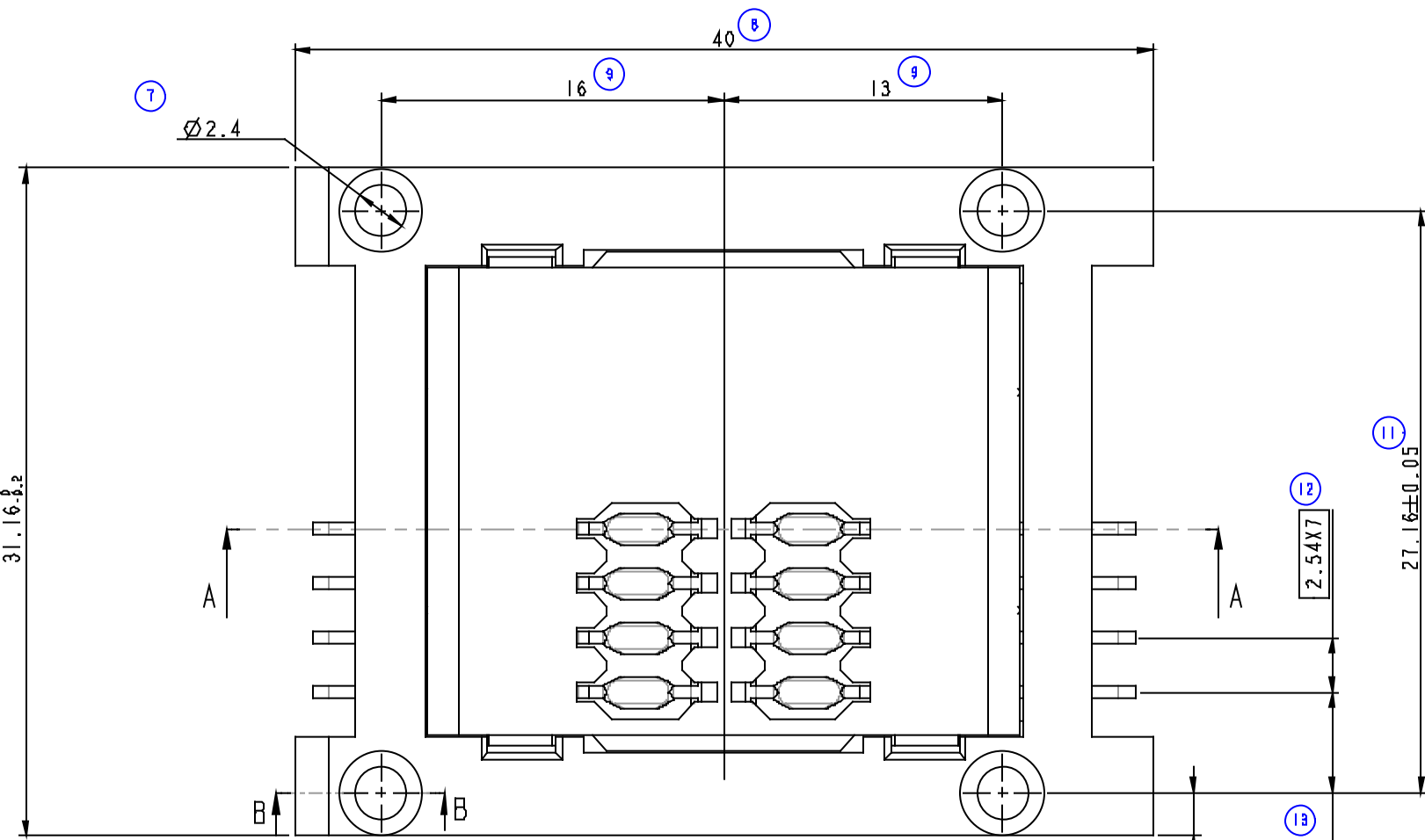
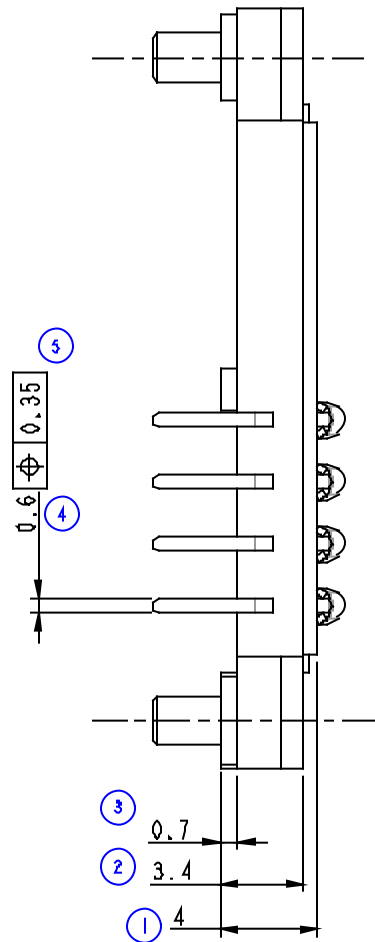
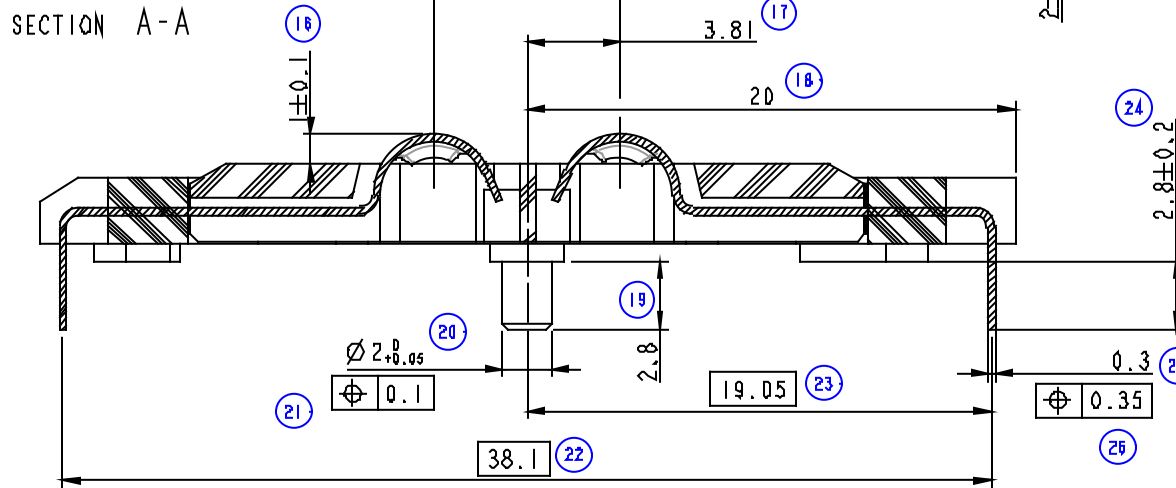
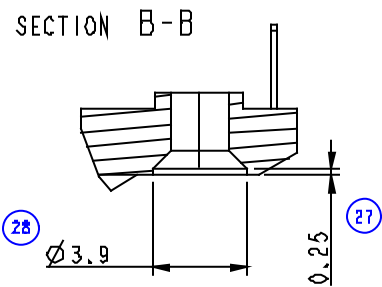
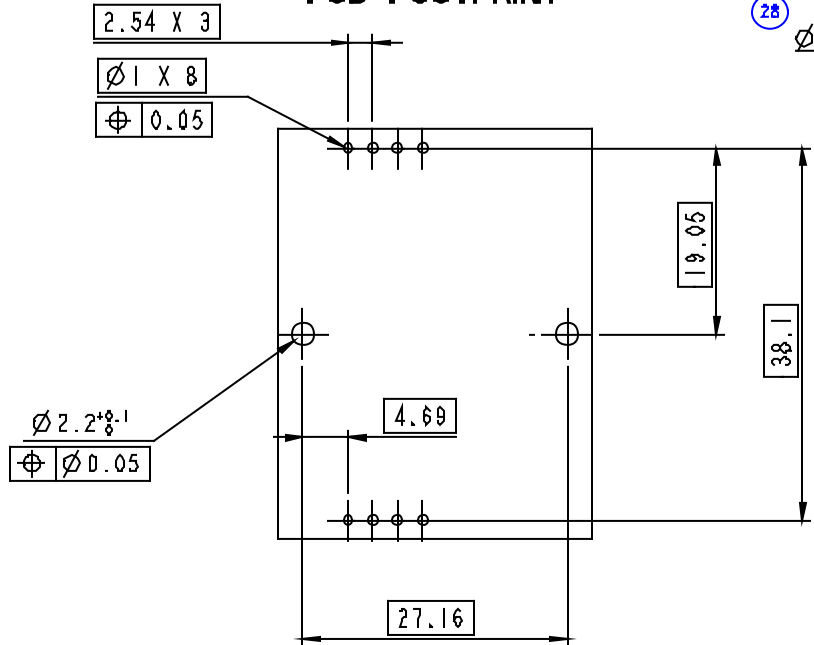


CATALOGUE NUMBER	LEAD FREE VERSION
7832C0425X01	7832C0425X01LF



**IMPLANTATION C.I
PCB FOOTPRINT**



LEAD FREE VERSION:
 This product meets European Union Directives and other country regulations as described in GS-22-008
 The housing will withstand exposure to 260°C peak temperature for 3-5seconds in a wave solder application with a 1.6mm minimum thick circuit board.
 Use protective adhesive tape (Kapton or Teflon) or protective metallic devices on the areas which are directly exposed to wave soldering as it is used in classical leaded wave soldering
 Sn Matte plating on solder tail for Lead Free Versions

General Tolerances	
0 to 10mm:	±0.1mm
10 to 30mm:	±0.15mm
30 to 60mm:	±0.2mm
60 and over:	±0.3mm

www.fciconnect.com		surface	tolerance	projection	mm
		ISO 1302	ISO 406 ISO 1101		←→
Dr	D. LEGRAND	-	Product family	SMART CARD	Scale
Eng	F. TISSERAND	02-04-29	Spec ref	-	5:1
Chr	N. TWINCY	05/09/24	Material	SEE NOTES	ECH
Appr	N. TWINCY	05/09/24			105-D187
MODULE 8 CONTACTS			VRW11376		Rev.
C04					E
catalog no		7832C0425X01	CUSTOMER COPY		sheet 1 of 1

Tous droits strictement réservés. Reproduction ou communication en tout ou partie sans autorisation écrite de l'éditeur.

All rights strictly reserved. Reproduction or communication in any form without written authorization from the manufacturer.