

## Features

- Small surface mount component
- High quality toroidal core
- Unit height of 5.2mm max.
- Supplied in 16 mm conductive polystyrene tape (SM73818AE)
- Recommended for reflow solder processing

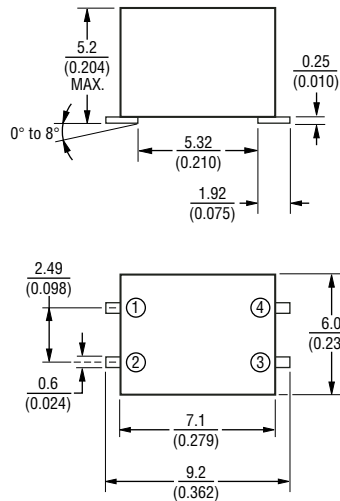
 Model SM73818AE is currently available, although not recommended for new designs. Use Model DR331.

## SM73818AE- Dual Inductor

### Electrical Specifications (@ 25°C)

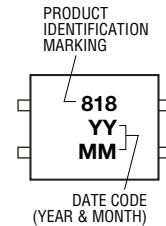
Ls (1-4).....	51µH ± 30% @ 100KHz
	0.1mA
Le (1-4) .....	2µH Max @ 100KHz
	0.1mA [short (2-3)]
Turns Ratio .....	1:1 ±2%
Polarity.....	1,2@same phase
Hipot.....	250VDC between windings
	for 1 second
DCR (1-4).....	0.3 ohms max.
DCR (2-3).....	0.3 ohms max.
DCR typical .....	0.1 Ω
Operating Temperature .....	-40 to +135°C
Storage Temperature .....	-40 to +135°C
Rated Current.....	100mA DC @ +125°C
Rated Voltage.....	80VDC / 42VAC
LCP Thermal Plastic .....	UL 94V-0
Terminal .....	Cu/Ni/Sn
Weight .....	0.2g
Packaging .....	1500 pcs. per 330mm reel

### Product Dimensions



DIMENSIONS:  $\frac{\text{MM}}{\text{(INCHES)}}$  TOLERANCE:  $\pm \frac{0.25}{(0.010)}$

### Typical Part Marking

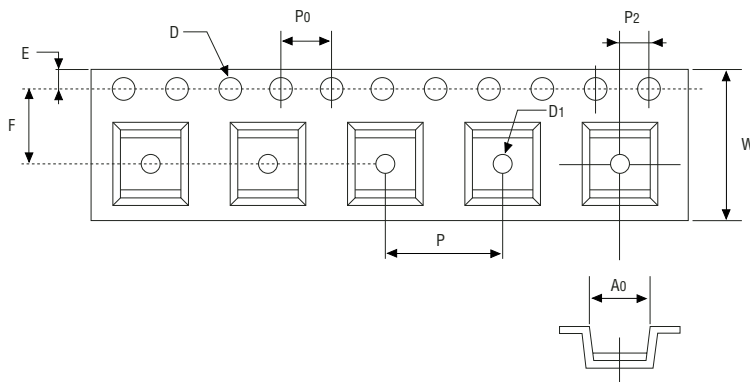


### Schematic



### Packaging Dimensions

Model	W	P	E	F	D	D1	P0	P2	A0	B0	K0	t
SM73818AE	$\frac{16.00}{(.630)}$	$\frac{8.00}{(.315)}$	$\frac{1.75}{(.069)}$	$\frac{7.50}{(.296)}$	$\frac{1.55}{(.061)}$	$\frac{1.50}{(.059)}$	$\frac{4.00}{(.158)}$	$\frac{2.00}{(.079)}$	$\frac{6.22}{(.245)}$	$\frac{9.60}{(.378)}$	$\frac{5.50}{(.216)}$	$\frac{0.40}{(.015)}$



REV. 10/05

\*RoHS Directive 2002/95/EC Jan 27 2003 including Annex  
 Specifications are subject to change without notice.  
 Customers should verify actual device performance in their specific applications.