

**Features**

- ❑ High-performance CMOS non-volatile static RAM 2048 x 8 bits
- ❑ 25 ns Access Times
- ❑ 12 ns Output Enable Access Times
- ❑  $I_{CC} = 15 \text{ mA}$  at 200 ns Cycle Time
- ❑ Automatic STORE to EEPROM on Power Down using external capacitor
- ❑ Hardware or Software initiated STORE (STORE Cycle Time < 10 ms)
- ❑ Automatic STORE Timing
- ❑  $10^6$  STORE cycles to EEPROM
- ❑ 100 years data retention in EEPROM
- ❑ Automatic RECALL on Power Up
- ❑ Software RECALL Initiation (RECALL Cycle Time < 20  $\mu\text{s}$ )
- ❑ Unlimited RECALL cycles from EEPROM
- ❑ Single 5 V  $\pm$  10 % Operation
- ❑ Operating temperature ranges: 0 to 70  $^{\circ}\text{C}$  -40 to 85  $^{\circ}\text{C}$
- ❑ QS 9000 Quality Standard
- ❑ ESD protection > 2000 V (MIL STD 883C M3015.7-HBM)
- ❑ RoHS compliance and Pb- free

Package: SOP28 (300 mil)

**Description**

The U632H16 has two separate modes of operation: SRAM mode and nonvolatile mode. In SRAM mode, the memory operates as an ordinary static RAM. In nonvolatile operation, data is transferred in parallel from SRAM to EEPROM or from EEPROM to SRAM. In this mode SRAM functions are disabled.

The U632H16 is a fast static RAM (25, 35, 45 ns), with a nonvolatile electrically erasable PROM (EEPROM) element incorporated in each static memory cell. The SRAM can be read and written an unlimited number of times, while independent nonvolatile data resides in EEPROM. Data transfers from the SRAM to the EEPROM (the STORE operation) take place automatically upon power down using charge stored in an external 100  $\mu\text{F}$  capacitor. Transfers from the EEPROM to the SRAM (the RECALL operation) take place automatically on power up. The

U632H16 combines the high performance and ease of use of a fast SRAM with nonvolatile data integrity.

STORE cycles also may be initiated under user control via a software sequence or via a single pin (HSB).

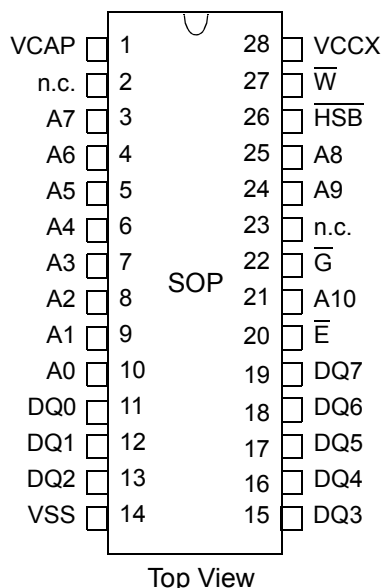
Once a STORE cycle is initiated, further input or output are disabled until the cycle is completed.

Because a sequence of addresses is used for STORE initiation, it is important that no other read or write accesses intervene in the sequence or the sequence will be aborted.

RECALL cycles may also be initiated by a software sequence.

Internally, RECALL is a two step procedure. First, the SRAM data is cleared and second, the nonvolatile information is transferred into the SRAM cells.

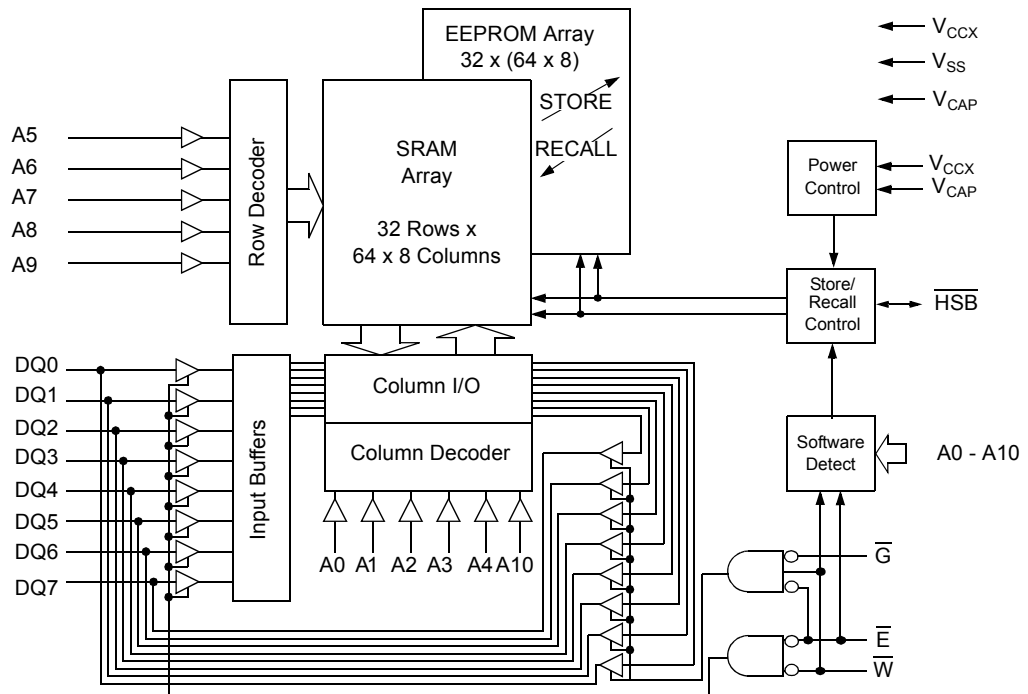
The RECALL operation in no way alters the data in the EEPROM cells. The nonvolatile data can be recalled an unlimited number of times.

**Pin Configuration**

**Pin Description**

Signal Name	Signal Description
A0 - A10	Address Inputs
DQ0 - DQ7	Data In/Out
$\overline{E}$	Chip Enable
$\overline{G}$	Output Enable
$\overline{W}$	Write Enable
VCCX	Power Supply Voltage
VSS	Ground
VCAP	Capacitor
$\overline{HSB}$	Hardware Controlled Store/Busy

# U632H16

## Block Diagram



## Truth Table for SRAM Operations

Operating Mode	$\bar{E}$	$\overline{HSB}$	$\bar{W}$	$\bar{G}$	DQ0 - DQ7
Standby/not selected	H	H	*	*	High-Z
Internal Read	L	H	H	H	High-Z
Read	L	H	H	L	Data Outputs Low-Z
Write	L	H	L	*	Data Inputs High-Z

\* H or L

## Characteristics

All voltages are referenced to  $V_{SS} = 0$  V (ground).

All characteristics are valid in the power supply voltage range and in the operating temperature range specified.

Dynamic measurements are based on a rise and fall time of  $\leq 5$  ns, measured between 10 % and 90 % of  $V_i$ , as well as input levels of  $V_{iL} = 0$  V and  $V_{iH} = 3$  V. The timing reference level of all input and output signals is 1.5 V, with the exception of the  $t_{dis}$ -times and  $t_{en}$ -times, in which cases transition is measured  $\pm 200$  mV from steady-state voltage.

Absolute Maximum Ratings <sup>a</sup>	Symbol	Min.	Max.	Unit
Power Supply Voltage	$V_{CC}$	-0.5	7	V
Input Voltage	$V_i$	-0.3	$V_{CC}+0.5$	V
Output Voltage	$V_o$	-0.3	$V_{CC}+0.5$	V
Power Dissipation	$P_D$		1	W
Operating Temperature	C-Type K-Type	$T_a$	0 70 85	$^{\circ}C$ $^{\circ}C$
Storage Temperature	$T_{stg}$	-65	150	$^{\circ}C$

a: Stresses greater than those listed under „Absolute Maximum Ratings“ may cause permanent damage to the device. This is a stress rating only, and functional operation of the device at condition above those indicated in the operational sections of this specification is not implied. Exposure to absolute maximum rating conditions for extended periods may affect reliability.

Recommended Operating Conditions	Symbol	Conditions	Min.	Max.	Unit
Power Supply Voltage <sup>b</sup>	$V_{CC}$		4.5	5.5	V
Input Low Voltage	$V_{IL}$	-2 V at Pulse Width 10 ns permitted	-0.3	0.8	V
Input High Voltage	$V_{IH}$		2.2	$V_{CC}+0.3$	V

DC Characteristics	Symbol	Conditions	C-Type		K-Type		Unit
			Min.	Max.	Min.	Max.	
Operating Supply Current <sup>c</sup>	$I_{CC1}$	$V_{CC} = 5.5\text{ V}$ $V_{IL} = 0.8\text{ V}$ $V_{IH} = 2.2\text{ V}$ $t_c = 25\text{ ns}$		90		95	mA
Average Supply Current during STORE <sup>c</sup>	$I_{CC2}$	$V_{CC} = 5.5\text{ V}$ $\overline{E} \leq 0.2\text{ V}$ $\overline{W} \geq V_{CC}-0.2\text{ V}$ $V_{IL} \leq 0.2\text{ V}$ $V_{IH} \geq V_{CC}-0.2\text{ V}$		6		7	mA
Average Supply Current during PowerStore Cycle	$I_{CC4}$	$V_{CC} = 4.5\text{ V}$ $V_{IL} = 0.2\text{ V}$ $V_{IH} \geq V_{CC}-0.2\text{ V}$		4		4	mA
Standby Supply Current <sup>d</sup> (Cycling TTL Input Levels)	$I_{CC(SB)1}$	$V_{CC} = 5.5\text{ V}$ $\overline{E} = V_{IH}$ $t_c = 25\text{ ns}$		30		34	mA
Operating Supply Current at $t_{cR} = 200\text{ ns}$ <sup>c</sup> (Cycling CMOS Input Levels)	$I_{CC3}$	$V_{CC} = 5.5\text{ V}$ $\overline{W} \geq V_{CC}-0.2\text{ V}$ $V_{IL} \leq 0.2\text{ V}$ $V_{IH} \geq V_{CC}-0.2\text{ V}$		15		15	mA
Standby Supply Current <sup>d</sup> (Stable CMOS Input Levels)	$I_{CC(SB)}$	$V_{CC} = 5.5\text{ V}$ $\overline{E} \geq V_{CC}-0.2\text{ V}$ $V_{IL} \leq 0.2\text{ V}$ $V_{IH} \geq V_{CC}-0.2\text{ V}$		3		3	mA

b:  $V_{CC}$  reference levels throughout this datasheet refer to  $V_{CCX}$  if that is where the power supply connection is made, or  $V_{CAP}$  if  $V_{CCX}$  is connected to ground.

c:  $I_{CC1}$  and  $I_{CC3}$  are dependent on output loading and cycle rate. The specified values are obtained with outputs unloaded.

The current  $I_{CC1}$  is measured for WRITE/READ - ratio of 1/2.

$I_{CC2}$  is the average current required for the duration of the STORE cycle (STORE Cycle Time).

d: Bringing  $\overline{E} \geq V_{IH}$  will not produce standby current levels until any nonvolatile cycle in progress has timed out. See MODE SELECTION table. The current  $I_{CC(SB)1}$  is measured for WRITE/READ - ratio of 1/2.

DC Characteristics	Symbol	Conditions	C-Type		K-Type		Unit
			Min.	Max.	Min.	Max.	
Output High Voltage Output Low Voltage	$V_{OH}$ $V_{OL}$	$V_{CC} = 4.5\text{ V}$ $I_{OH} = -4\text{ mA}$ $I_{OL} = 8\text{ mA}$	2.4	0.4	2.4	0.4	V V
Output High Current Output Low Current	$I_{OH}$ $I_{OL}$	$V_{CC} = 4.5\text{ V}$ $V_{OH} = 2.4\text{ V}$ $V_{OL} = 0.4\text{ V}$	8	-4	8	-4	mA mA
Input Leakage Current  High Low	$I_{IH}$ $I_{IL}$	$V_{CC} = 5.5\text{ V}$ $V_{IH} = 5.5\text{ V}$ $V_{IL} = 0\text{ V}$	-1	1	-1	1	$\mu\text{A}$ $\mu\text{A}$
Output Leakage Current  High at Three-State- Output Low at Three-State- Output	$I_{OHZ}$ $I_{OLZ}$	$V_{CC} = 5.5\text{ V}$ $V_{OH} = 5.5\text{ V}$ $V_{OL} = 0\text{ V}$	-1	1	-1	1	$\mu\text{A}$ $\mu\text{A}$

## SRAM Memory Operations

No.	Switching Characteristics Read Cycle	Symbol		Min.	Max.	Unit
		Alt.	IEC			
1	Read Cycle Time <sup>f</sup>	$t_{AVAV}$	$t_{cR}$	25		ns
2	Address Access Time to Data Valid <sup>g</sup>	$t_{AVQV}$	$t_{a(A)}$		25	ns
3	Chip Enable Access Time to Data Valid	$t_{ELQV}$	$t_{a(E)}$		25	ns
4	Output Enable Access Time to Data Valid	$t_{GLQV}$	$t_{a(G)}$		12	ns
5	$\overline{E}$ HIGH to Output in High-Z <sup>h</sup>	$t_{EHQZ}$	$t_{dis(E)}$		13	ns
6	$\overline{G}$ HIGH to Output in High-Z <sup>h</sup>	$t_{GHQZ}$	$t_{dis(G)}$		13	ns
7	$\overline{E}$ LOW to Output in Low-Z	$t_{ELQX}$	$t_{en(E)}$	5		ns
8	$\overline{G}$ LOW to Output in Low-Z	$t_{GLQX}$	$t_{en(G)}$	0		ns
9	Output Hold Time after Address Change	$t_{AXQX}$	$t_{v(A)}$	3		ns
10	Chip Enable to Power Active <sup>e</sup>	$t_{ELICCH}$	$t_{PU}$	0		ns
11	Chip Disable to Power Standby <sup>d, e</sup>	$t_{EHICCL}$	$t_{PD}$		25	ns

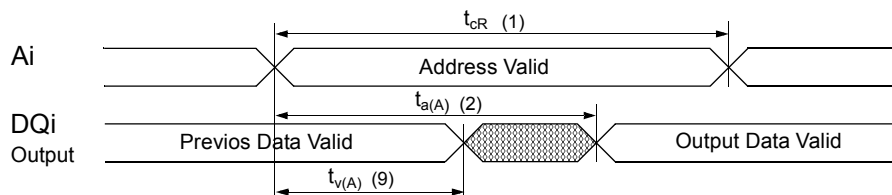
e: Parameter guaranteed but not tested.

f: Device is continuously selected with  $\overline{E}$  and  $\overline{G}$  both LOW.

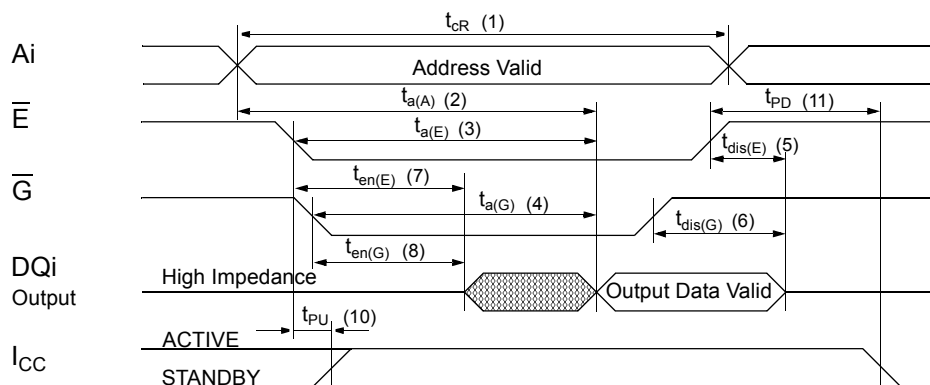
g: Address valid prior to or coincident with  $\overline{E}$  transition LOW.

h: Measured  $\pm 200\text{ mV}$  from steady state output voltage.

Read Cycle 1: Ai-controlled (during Read cycle:  $\bar{E} = \bar{G} = V_{IL}, \bar{W} = V_{IH}$ )<sup>f</sup>

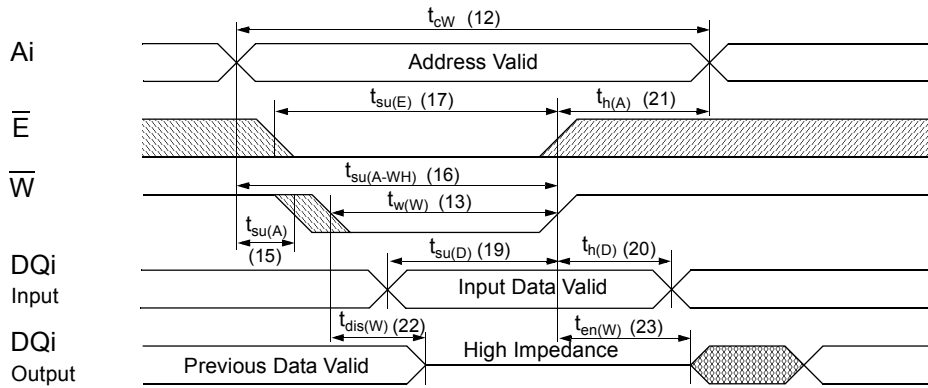


Read Cycle 2:  $\bar{G}$ -,  $\bar{E}$ -controlled (during Read cycle:  $\bar{W} = V_{IH}$ )<sup>9</sup>

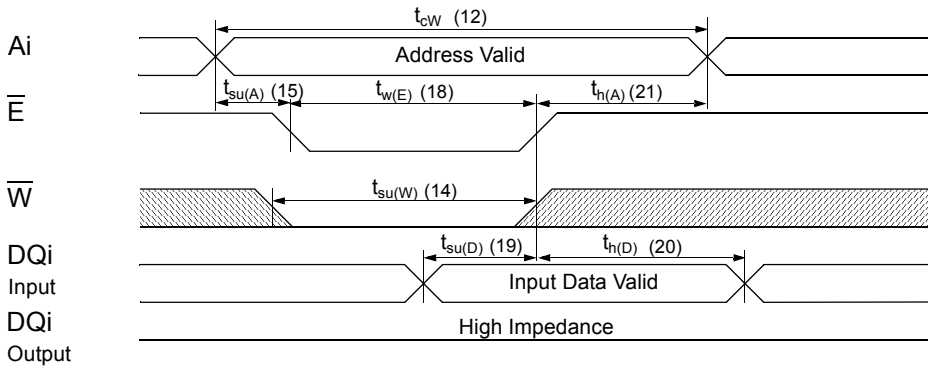


No.	Switching Characteristics Write Cycle	Symbol			25		Unit
		Alt. #1	Alt. #2	IEC	Min.	Max.	
12	Write Cycle Time	$t_{AVAV}$	$t_{AVAV}$	$t_{cW}$	25		ns
13	Write Pulse Width	$t_{WLWH}$		$t_{w(W)}$	20		ns
14	Write Pulse Width Setup Time		$t_{WLEH}$	$t_{su(W)}$	20		ns
15	Address Setup Time	$t_{AVWL}$	$t_{AVEL}$	$t_{su(A)}$	0		ns
16	Address Valid to End of Write	$t_{AVWH}$	$t_{AVEH}$	$t_{su(A-WH)}$	20		ns
17	Chip Enable Setup Time	$t_{ELWH}$		$t_{su(E)}$	20		ns
18	Chip Enable to End of Write		$t_{ELEH}$	$t_{w(E)}$	20		ns
19	Data Setup Time to End of Write	$t_{DVWH}$	$t_{DVEH}$	$t_{su(D)}$	12		ns
20	Data Hold Time after End of Write	$t_{WHDX}$	$t_{EHDX}$	$t_{h(D)}$	0		ns
21	Address Hold after End of Write	$t_{WHAX}$	$t_{EHAX}$	$t_{h(A)}$	0		ns
22	$\bar{W}$ LOW to Output in High-Z <sup>h, i</sup>	$t_{WLQZ}$		$t_{dis(W)}$		10	ns
23	$\bar{W}$ HIGH to Output in Low-Z	$t_{WHQX}$		$t_{en(W)}$	5		ns

## Write Cycle #1: $\overline{W}$ -controlled<sup>j</sup>



## Write Cycle #2: $\overline{E}$ -controlled<sup>i</sup>



i: If  $\overline{W}$  is LOW and when  $\overline{E}$  goes LOW, the outputs remain in the high impedance state.  
 j:  $\overline{E}$  or  $\overline{W}$  must be  $V_{IH}$  during address transition.

## Nonvolatile Memory Operations

### Mode Selection

$\overline{E}$	$\overline{W}$	$\overline{HSB}$	A10 - A0 (hex)	Mode	I/O	Power	Notes
H	X	H	X	Not Selected	Output High Z	Standby	
L	H	H	X	Read SRAM	Output Data	Active	l
L	L	H	X	Write SRAM	Input Data	Active	
L	H	H	000 555 2AA 7FF 0F0 70F	Read SRAM Read SRAM Read SRAM Read SRAM Read SRAM Nonvolatile STORE	Output Data Output Data Output Data Output Data Output Data Output High Z	Active	k, l k, l k, l k, l k, l k
L	H	H	000 555 2AA 7FF 0F0 70E	Read SRAM Read SRAM Read SRAM Read SRAM Read SRAM Nonvolatile RECALL	Output Data Output Data Output Data Output Data Output Data Output High Z	Active	k, l k, l k, l k, l k, l k
X	X	L	X	STORE/Inhibit	Output High Z	I <sub>CC2</sub> /Standby	m

k: The six consecutive addresses must be in order listed (000, 555, 2AA, 7FF, 0F0, 70F) for a Store cycle or (000, 555, 2AA, 7FF, 0F0, 70E) for a RECALL cycle.  $\overline{W}$  must be high during all six consecutive cycles. See STORE cycle and RECALL cycle tables and diagrams for further details.

The following six-address sequence is used for testing purposes and should not be used: 000, 555, 2AA, 7FF, 0F0, 39C.

l: I/O state assumes that  $\overline{G} \leq V_{IL}$ . Activation of nonvolatile cycles does not depend on the state of  $\overline{G}$ .

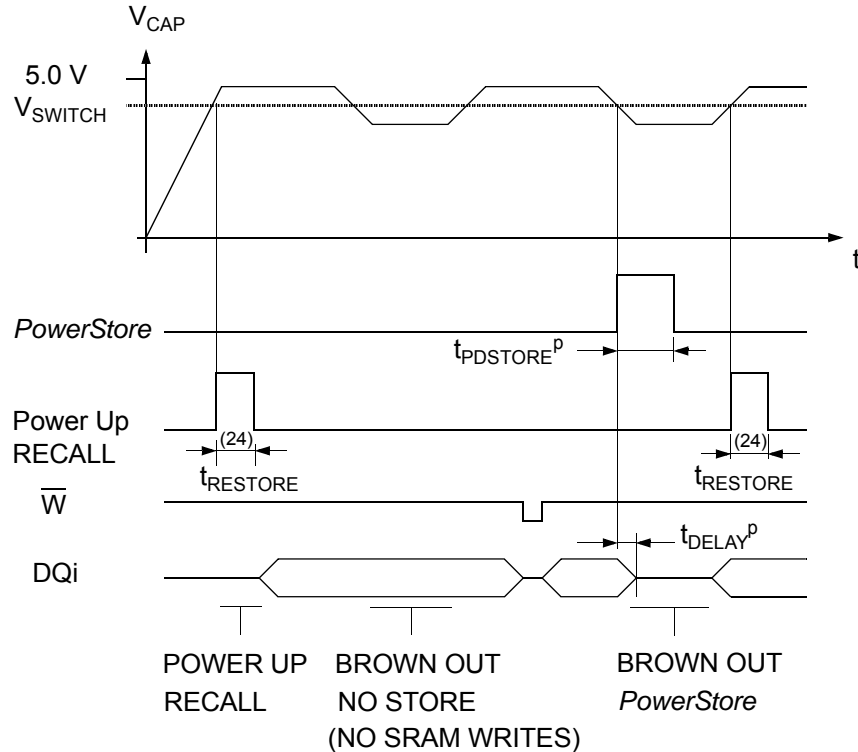
m:  $\overline{HSB}$  initiated STORE operation actually occurs only if a WRITE has been done since last STORE operation. After the STORE (if any) completes, the part will go into standby mode inhibiting all operation until  $\overline{HSB}$  rises.

No.	PowerStore Power Up RECALL/ Hardware Controlled STORE	Symbol		Conditions	Min.	Max.	Unit
		Alt.	IEC				
24	Power Up RECALL Duration <sup>n, e</sup>	t <sub>RESTORE</sub>				650	μs
25	STORE Cycle Duration	t <sub>HLQX</sub>	t <sub>d(H)S</sub>	V <sub>CC</sub> ≥ 4.5 V		10	ms
26	$\overline{HSB}$ Low to Inhibit On <sup>e</sup>	t <sub>HLQZ</sub>	t <sub>dis(H)S</sub>		1		μs
27	$\overline{HSB}$ High to Inhibit Off <sup>e</sup>	t <sub>HHQX</sub>	t <sub>en(H)S</sub>			700	ns
28	External STORE Pulse Width <sup>e</sup>	t <sub>HLHX</sub>	t <sub>w(H)S</sub>		250		ns
	$\overline{HSB}$ Output Low Current <sup>e, o</sup>	I <sub>HSBOL</sub>		$\overline{HSB} = V_{OL}$	3		mA
	$\overline{HSB}$ Output High Current <sup>e, o</sup>	I <sub>HSBOH</sub>		$\overline{HSB} = V_{IL}$	5	60	μA
	Low Voltage Trigger Level	V <sub>SWITCH</sub>			4.0	4.5	V

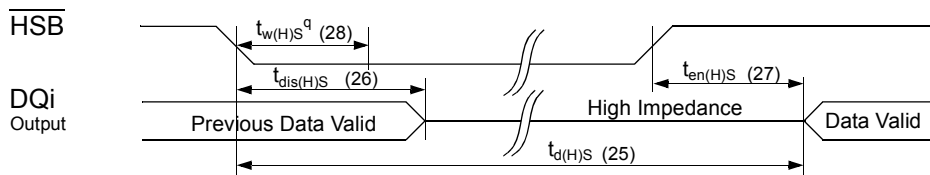
n: t<sub>RESTORE</sub> starts from the time V<sub>CC</sub> rises above V<sub>SWITCH</sub>.

o:  $\overline{HSB}$  is an I/O that has a weak internal pullup; it is basically an open drain output. It is meant to allow up to 32 U632H16 to be ganged together for simultaneous storing. Do not use  $\overline{HSB}$  to pullup any external circuitry other than other U632H16  $\overline{HSB}$  pins.

## PowerStore and automatic Power Up RECALL



## Hardware Controlled Store



No.	Software Controlled STORE/ RECALL Cycle	Symbol				Unit
		Alt.	IEC	Min.	Max.	
29	STORE/RECALL Initiation Time	$t_{AVAV}$	$t_{cR}$	25		ns
30	Chip Enable to Output Inactive <sup>s</sup>	$t_{ELQZ}$	$t_{dis(E)SR}$		600	ns
31	STORE Cycle Time	$t_{ELQXS}$	$t_{d(E)S}$		10	ms
32	RECALL Cycle Time <sup>r</sup>	$t_{ELQXR}$	$t_{d(E)R}$		20	$\mu s$
33	Address Setup to Chip Enable	$t_{AVELN}$	$t_{su(A)SR}$	0		ns
34	Chip Enable Pulse Width <sup>s, t</sup>	$t_{ELEHN}$	$t_{w(E)SR}$	20		ns
35	Chip Disable to Address Change	$t_{EHAXN}$	$t_{h(A)SR}$	0		ns

P:  $t_{PDSTORE}$  approximate  $t_{d(E)S}$  or  $t_{d(H)S}$ ;  $t_{DELAY}$  approximate  $t_{dis(H)S}$ .

q: After  $t_{w(H)S}$  HSB is hold down internal by STORE operation.

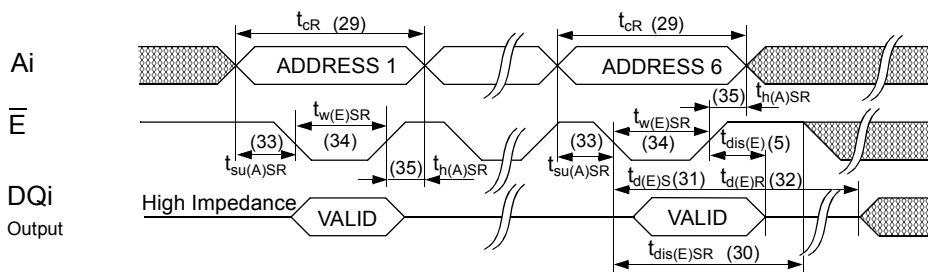
r: An automatic RECALL also takes place at power up, starting when  $V_{CC}$  exceeds  $V_{SWITCH}$  and takes  $t_{RESTORE}$ .  $V_{CC}$  must not drop below  $V_{SWITCH}$  once it has been exceeded for the RECALL to function properly.

s: Once the software controlled STORE or RECALL cycle is initiated, it completes automatically, ignoring all inputs.

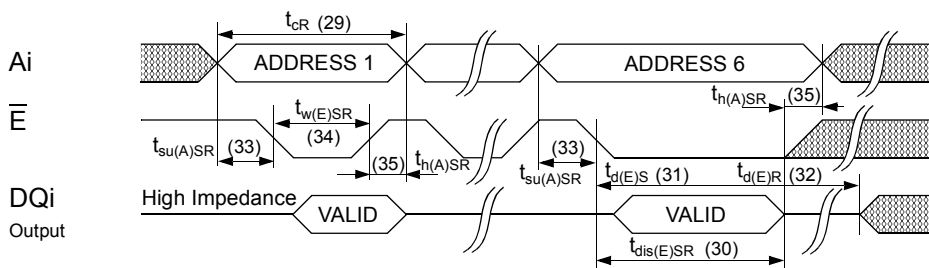
t: Noise on the  $\overline{E}$  pin may trigger multiple READ cycles from the same address and abort the address sequence.



Software Controlled STORE/RECALL Cycle  $t_u, v, w$  ( $\bar{E} = \text{HIGH}$  after STORE initiation)



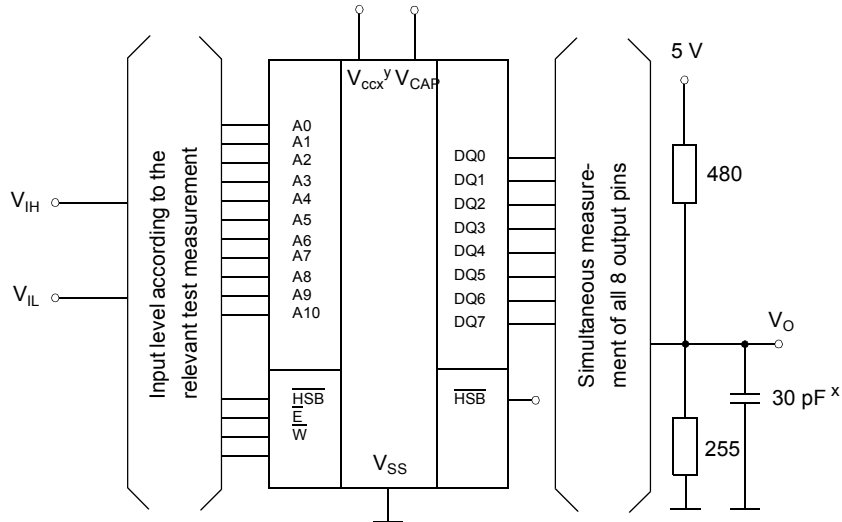
Software Controlled STORE/RECALL Cycle  $t_u, v, w$  ( $\bar{E} = \text{LOW}$  after STORE initiation)



- u: If the chip enable pulse width is less than  $t_{a(E)}$  (see READ cycle) but greater than or equal to  $t_{w(E)SR}$ , then the data may not be valid at the end of the low pulse, however the STORE or RECALL will still be initiated.
- v:  $\bar{W}$  must be HIGH when  $\bar{E}$  is LOW during the address sequence in order to initiate a nonvolatile cycle.  $\bar{G}$  may be either HIGH or LOW throughout. Addresses 1 through 6 are found in the mode selection table. Address 6 determines whether the U632H16 performs a STORE or RECALL.
- w:  $\bar{E}$  must be used to clock in the address sequence for the Software controlled STORE and RECALL cycles.

# U632H16

## Test Configuration for Functional Check



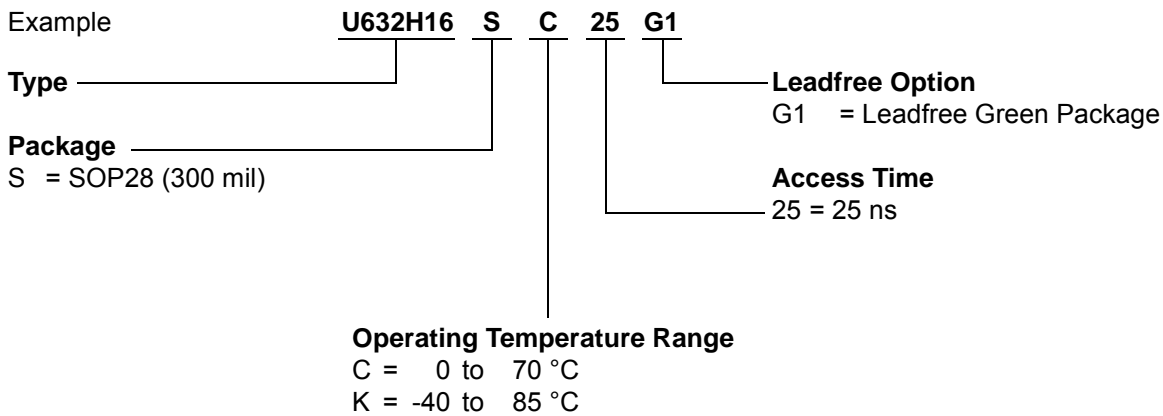
x: In measurement of  $t_{dis}$ -times and  $t_{en}$ -times the capacitance is 5 pF.

y: Between  $V_{CC}$  and  $V_{SS}$  must be connected a high frequency bypass capacitor 0.1  $\mu$ F to avoid disturbances.

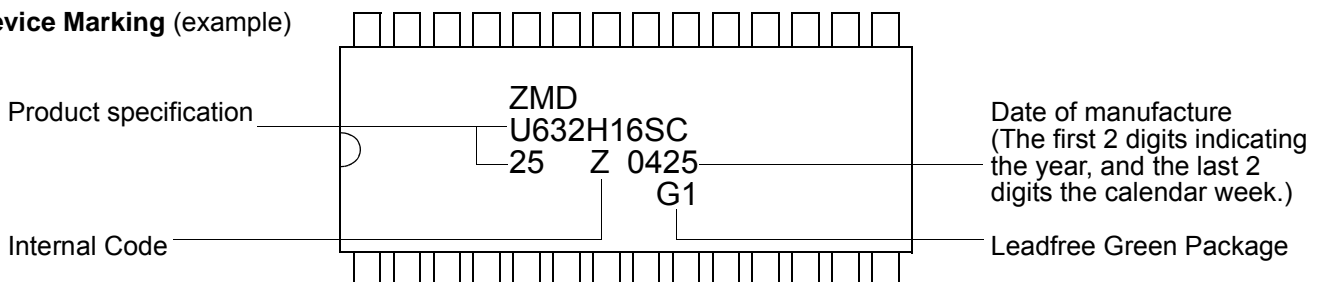
Capacitance <sup>e</sup>	Conditions	Symbol	Min.	Max.	Unit
Input Capacitance	$V_{CC} = 5.0 \text{ V}$ $V_I = V_{SS}$ $f = 1 \text{ MHz}$ $T_a = 25 \text{ }^\circ\text{C}$	$C_I$		8	pF
Output Capacitance		$C_O$		7	pF

All pins not under test must be connected with ground by capacitors.

## Ordering Code



## Device Marking (example)



## Device Operation

The U632H16 has two separate modes of operation: SRAM mode and nonvolatile mode. In SRAM mode, the memory operates as a standard fast static RAM. In nonvolatile mode, data is transferred from SRAM to EEPROM (the STORE operation) or from EEPROM to SRAM (the RECALL operation). In this mode SRAM functions are disabled.

STORE cycles may be initiated under user control via a software sequence or HSB assertion and are also automatically initiated when the power supply voltage level of the chip falls below  $V_{SWITCH}$ . RECALL operations are automatically initiated upon power up and may occur also when  $V_{CCX}$  rises above  $V_{SWITCH}$  after a low power condition. RECALL cycles may also be initiated by a software sequence.

### SRAM READ

The U632H16 performs a READ cycle whenever  $\overline{E}$  and  $\overline{G}$  are LOW and HSB and  $\overline{W}$  are HIGH. The address specified on pins A0 - A10 determines which of the 2048 data bytes will be accessed. When the READ is initiated by an address transition, the outputs will be valid after a delay of  $t_{CR}$ . If the READ is initiated by  $\overline{E}$  or  $\overline{G}$ , the outputs will be valid at  $t_{a(E)}$  or at  $t_{a(G)}$ , whichever is later. The data outputs will repeatedly respond to address changes within the  $t_{CR}$  access time without the need for transition on any control input pins, and will remain valid until another address change or until  $\overline{E}$  or  $\overline{G}$  is brought HIGH or  $\overline{W}$  or HSB is brought LOW.

### SRAM WRITE

A WRITE cycle is performed whenever  $\overline{E}$  and  $\overline{W}$  are LOW and HSB is HIGH. The address inputs must be stable prior to entering the WRITE cycle and must remain stable until either  $\overline{E}$  or  $\overline{W}$  goes HIGH at the end of the cycle. The data on pins DQ0 - 7 will be written into the memory if it is valid  $t_{su(D)}$  before the end of a  $\overline{W}$  controlled WRITE or  $t_{su(D)}$  before the end of an  $\overline{E}$  controlled WRITE.

It is recommended that  $\overline{G}$  is kept HIGH during the entire WRITE cycle to avoid data bus contention on the common I/O lines. If  $\overline{G}$  is left LOW, internal circuitry will turn off the output buffers  $t_{dis(W)}$  after  $\overline{W}$  goes LOW.

### Automatic STORE

During normal operation, the U632H16 will draw current from  $V_{CCX}$  to charge up a capacitor connected to the  $V_{CAP}$  pin. This stored charge will be used by the chip to perform a single STORE operation. If the voltage on the  $V_{CCX}$  pin drops below  $V_{SWITCH}$ , the part will automatically disconnect the  $V_{CAP}$  pin from  $V_{CCX}$

and initiate a STORE operation.

Figure 1 shows the proper connection of capacitors for automatic STORE operation. The charge storage capacitor should have a capacity of 100  $\mu\text{F}$  ( $\pm 20\%$ ) at 6 V. Each U632H16 must have its own 100  $\mu\text{F}$  capacitor. Each U632H16 must have a high quality, high frequency bypass capacitor of 0.1  $\mu\text{F}$  connected between  $V_{CAP}$  and  $V_{SS}$ , using leads and traces that are as short as possible. This capacitor do not replace the normal expected high frequency bypass capacitor between the power supply voltage and  $V_{SS}$ .

In order to prevent unneeded STORE operations, automatic STOREs as well as those initiated by externally driving HSB LOW will be ignored unless at least one WRITE operation has taken place since the most recent STORE cycle. Note that if HSB is driven LOW via external circuitry and no WRITEs have taken place, the part will still be disabled until HSB is allowed to return HIGH. Software initiated STORE cycles are performed regardless of whether or not a WRITE operation has taken place.

### Automatic RECALL

During power up an automatic RECALL takes place. At a low power condition (power supply voltage <  $V_{SWITCH}$ ) an internal RECALL request may be latched. As soon as power supply voltage exceeds again the sense voltage of  $V_{SWITCH}$ , a requested RECALL cycle will automatically be initiated and will take  $t_{RESTORE}$  to complete.

If the U632H16 is in a WRITE state at the end of a power up RECALL, the SRAM data will be corrupted. To help avoid this situation, a 10 K $\Omega$  resistor should be connected between  $\overline{W}$  and power supply voltage.

### Software Nonvolatile STORE

The U632H16 software controlled STORE cycle is initiated by executing sequential READ cycles from six specific address locations. By relying on READ cycles only, the U632H16 implements nonvolatile operation while remaining compatible with standard 2K x 8 SRAMs. During the STORE cycle, an erase of the previous nonvolatile data is performed first, followed by parallel programming of all nonvolatile elements. Once a STORE cycle is initiated, further inputs and outputs are disabled until the cycle is completed.

Because a sequence of addresses is used for STORE initiation, it is important that no other READ or WRITE accesses intervene in the sequence or the sequence will be aborted.

To initiate the STORE cycle the following READ sequence must be performed:

- |    |              |     |       |                |
|----|--------------|-----|-------|----------------|
| 1. | Read address | 000 | (hex) | Valid READ     |
| 2. | Read address | 555 | (hex) | Valid READ     |
| 3. | Read address | 2AA | (hex) | Valid READ     |
| 4. | Read address | 7FF | (hex) | Valid READ     |
| 5. | Read address | 0F0 | (hex) | Valid READ     |
| 6. | Read address | 70F | (hex) | Initiate STORE |

Once the sixth address in the sequence has been entered, the STORE cycle will commence and the chip will be disabled. It is important that READ cycles and not WRITE cycles are used in the sequence, although it is not necessary that  $\bar{G}$  is LOW for the sequence to be valid. After the  $t_{STORE}$  cycle time has been fulfilled, the SRAM will again be activated for READ and WRITE operation.

## Software Nonvolatile RECALL

A RECALL cycle of the EEPROM data into the SRAM is initiated with a sequence of READ operations in a manner similar to the STORE initiation. To initiate the RECALL cycle the following sequence of READ operations must be performed:

- |    |              |     |       |                 |
|----|--------------|-----|-------|-----------------|
| 1. | Read address | 000 | (hex) | Valid READ      |
| 2. | Read address | 555 | (hex) | Valid READ      |
| 3. | Read address | 2AA | (hex) | Valid READ      |
| 4. | Read address | 7FF | (hex) | Valid READ      |
| 5. | Read address | 0F0 | (hex) | Valid READ      |
| 6. | Read address | 70E | (hex) | Initiate RECALL |

Internally, RECALL is a two step procedure. First, the SRAM data is cleared and second, the nonvolatile information is transferred into the SRAM cells. The RECALL operation in no way alters the data in the EEPROM cells. The nonvolatile data can be recalled an unlimited number of times.

## HSB Nonvolatile STORE

The hardware controlled STORE Busy pin ( $\bar{HSB}$ ) is connected to an open drain circuit acting as both input and output to perform two different functions. When driven LOW by the internal chip circuitry it indicates that a STORE operation (initiated via any means) is in progress within the chip. When driven LOW by external circuitry for longer than  $t_{w(H)S}$ , the chip will conditionally initiate a STORE operation after  $t_{dis(H)S}$ .

READ and WRITE operations that are in progress when  $\bar{HSB}$  is driven LOW (either by internal or external circuitry) will be allowed to complete before the STORE operation is performed, in the following manner.

After  $\bar{HSB}$  goes LOW, the part will continue normal SRAM operation for  $t_{dis(H)S}$ . During  $t_{dis(H)S}$ , a transition on any address or control signal will terminate SRAM operation and cause the STORE to commence.

Note that if an SRAM WRITE is attempted after  $\bar{HSB}$

has been forced LOW, the WRITE will not occur and the STORE operation will begin immediately. HARDWARE-STORE-BUSY ( $\bar{HSB}$ ) is a high speed, low drive capability bidirectional control line.

In order to allow a bank of U632H16s to perform synchronized STORE functions, the  $\bar{HSB}$  pin from a number of chips may be connected together. Each chip contains a small internal current source to pull  $\bar{HSB}$  HIGH when it is not being driven LOW. To decrease the sensitivity of this signal to noise generated on the PC board, it may optionally be pulled to power supply via an external resistor with a value such that the combined load of the resistor and all parallel chip connections does not exceed  $I_{HSBOL}$  at  $V_{OL}$  (see Figure 1 and 2).

Only if  $\bar{HSB}$  is to be connected to external circuits, an external pull-up resistor should be used.

During any STORE operation, regardless of how it was initiated, the U632H16 will continue to drive the  $\bar{HSB}$  pin LOW, releasing it only when the STORE is complete.

Upon completion of a STORE operation, the part will be disabled until  $\bar{HSB}$  actually goes HIGH.

## Hardware Protection

The U632H16 offers hardware protection against inadvertent STORE operation during low voltage conditions. When  $V_{CAP} < V_{SWITCH}$ , all software or  $\bar{HSB}$  initiated STORE operations will be inhibited.

## Preventing Automatic STORES

The *PowerStore* function can be disabled on the fly by holding  $\bar{HSB}$  HIGH with a driver capable of sourcing 15 mA at  $V_{OH}$  of at least 2.2 V as it will have to overpower the internal pull-down device that drives  $\bar{HSB}$  LOW at the onset of an *PowerStore* for 50 ns.

When the U632H16 is connected for *PowerStore* operation (see Figure 1) and  $V_{CCX}$  crosses  $V_{SWITCH}$  on the way down, the U632H16 will attempt to pull  $\bar{HSB}$  LOW; if  $\bar{HSB}$  does not actually get below  $V_{IL}$ , the part will stop trying to pull  $\bar{HSB}$  LOW and abort the *PowerStore* attempt.

## Disabling Automatic STORES

If the *PowerStore* function is not required, then  $V_{CAP}$  should be tied directly to the power supply and  $V_{CCX}$  should be tied to ground. In this mode, STORE operation may be triggered through software control or the  $\bar{HSB}$  pin. In either event,  $V_{CAP}$  (Pin 1) must always have a proper bypass capacitor connected to it (Figure 2).

Disabling Automatic STORES: STORE Cycle Inhibit and Automatic Power Up RECALL

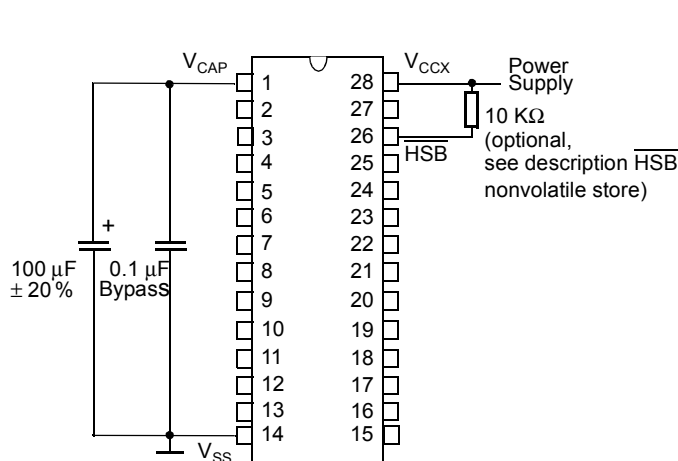
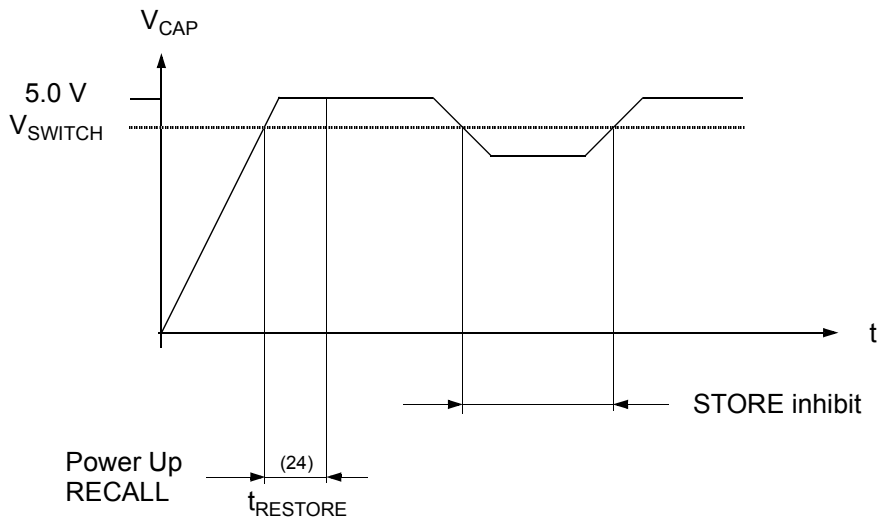


Figure 1: Automatic STORE Operation Schematic Diagram

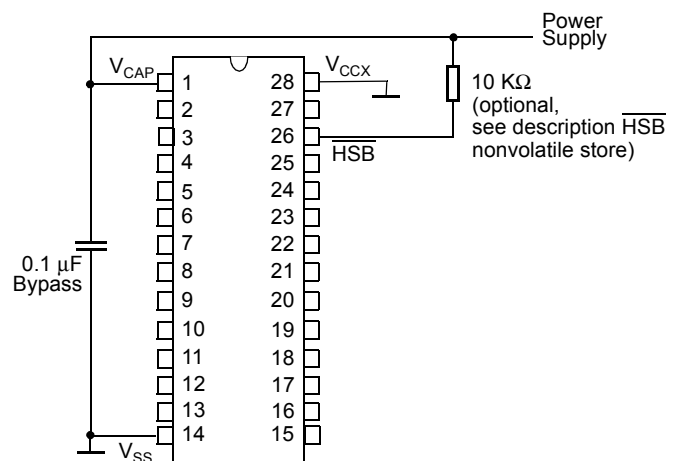


Figure 2: Disabling Automatic STORES Schematic Diagram

Low Average Active Power

The U632H16 has been designed to draw significantly less power when  $\bar{E}$  is LOW (chip enabled) but the access cycle time is longer than 55 ns. When  $\bar{E}$  is HIGH the chip consumes only standby current. The overall average current drawn by the part depends on the following items:

1. CMOS or TTL input levels
2. the time during which the chip is disabled ( $\bar{E}$  HIGH)
3. the cycle time for accesses ( $\bar{E}$  LOW)
4. the ratio of READs to WRITEs
5. the operating temperature
6. the power supply voltage level

The information describes the type of component and shall not be considered as assured characteristics. Terms of delivery and rights to change design reserved.

## **LIFE SUPPORT POLICY**

SIMTEK products are not designed, intended, or authorized for use as components in systems intended for surgical implant into the body, or other applications intended to support or sustain life, or for any other application in which the failure of the SIMTEK product could create a situation where personal injury or death may occur.

Components used in life-support devices or systems must be expressly authorized by SIMTEK for such purpose.

## **LIMITED WARRANTY**

The information in this document has been carefully checked and is believed to be reliable. However SIMTEK Corporation (SIMTEK) makes no guarantee or warranty concerning the accuracy of said information and shall not be responsible for any loss or damage of whatever nature resulting from the use of, or reliance upon it. The information in this document describes the type of component and shall not be considered as assured characteristics. SIMTEK does not guarantee that the use of any information contained herein will not infringe upon the patent, trademark, copyright, mask work right or other rights of third parties, and no patent or licence is implied hereby. This document does not in any way extent SIMTEK's warranty on any product beyond that set forth in its standard terms and conditions of sale.

SIMTEK reserves terms of delivery and reserves the right to make changes in the products or specifications, or both, presented in this publication at any time and without notice.

# Change record

Date	Name	Change
01.11.2001	Ivonne Steffens	format revision and release for "Memory CD 2002"
22.04.2002	Thomas Wolf Matthias Schniebel	removing "at least" for the 100 µF capacitor on page 11 (Automatic STORE)
20.04.2004	Matthias Schniebel	adding "Leadfree Green Package" to ordering information adding "Device Marking"
7.4.2005	Stefan Günther	adding RoHS compliance and Pb- free, 106 endurance cycles and 100a data retention, PDIP 28 (600mil) and ESD limitations deleted,
31.03.2006	Simtek	Assigned Simtek Document Control Number
15.08.2006	Simtek	Moved Product to End of Life Status