

# 10BASE-T NETWORK COMPONENTS QUAD 4-PORT MODULE

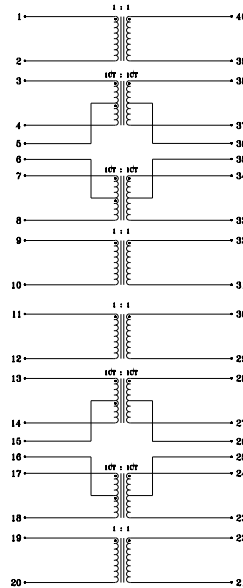
960067A

- Designed for use with AMD's eIMR (79C984A), eIMR+ (79C985) and IMR2 (79C983)/QuLET (79C988) chipsets
- Low profile, surface mount packaging, rated to 225°C peak IR reflow temperature
- Filterless quad, 4-port design offering best space, performance and cost efficiency
- 2000 Vrms isolation
- Optimized for use with stackable RJ-45 connectors

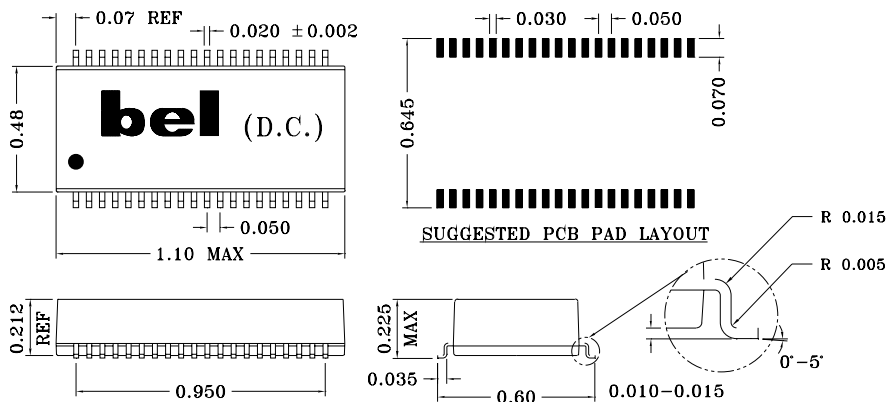
## ELECTRICALS AT 25°C

Part No.	Turns Ratio Rx/Tx	Insertion Loss (dB) Max 1-10MHz	OCL Inductance (μH) Min	Return Loss (dB) Min 5MHz-10MHz	Crosstalk (dB) Min 1MHz-10MHz	CM-CM Rej (dB) Min 10-30MHz	100MHz
S553-5999-53	1:1/1CT:1CT	-1.0	100	-18	-40	-40	-30

## SCHEMATIC



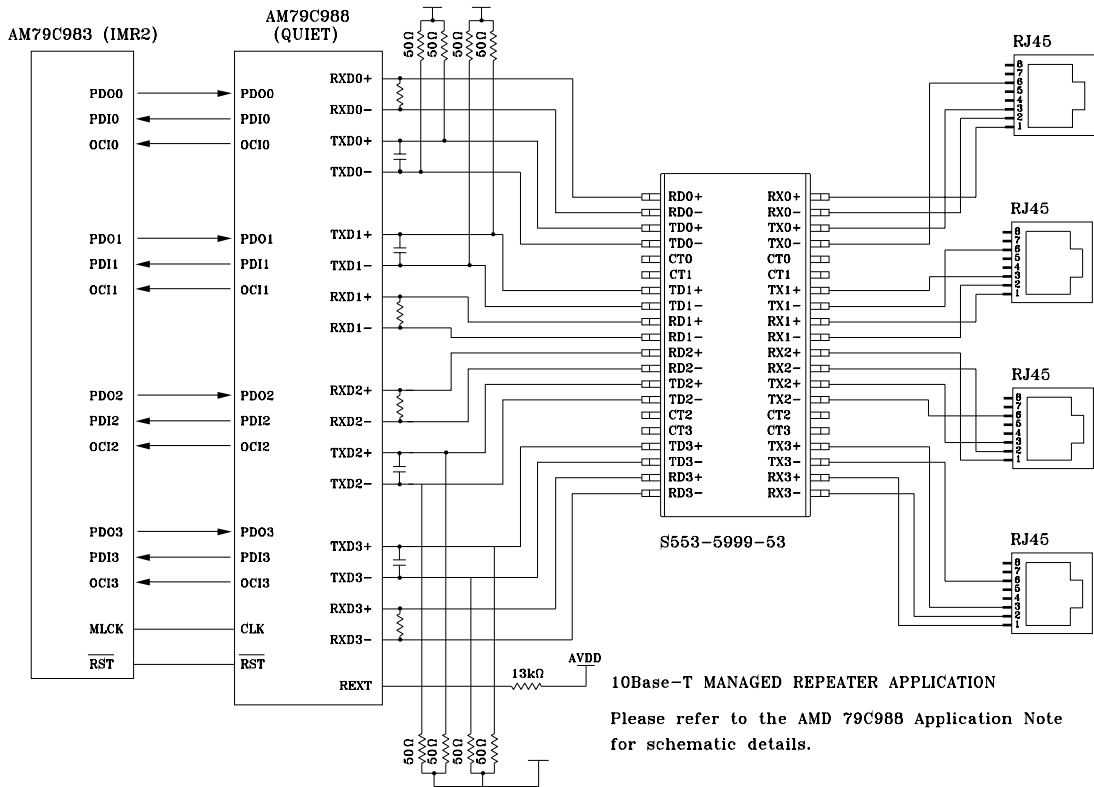
## MECHANICAL



Specifications subject to change without notice.

# 10BASE-T NETWORK COMPONENTS QUAD 4-PORT MODULE

## APPLICATION CIRCUIT



## APPLICATION NOTES

- Bel has developed a variety of quad, 4-port part types for use with AMD's product line of quad, 4-port PHY devices that incorporate digital filtering techniques within the silicon itself. Bel's "filterless magnetics" are optimized for this specific application and create a very cost efficient design solution. Each Bel part type contains 4 channels of transmit and receive transformers to provide for wave shaping, high voltage isolation and EMI noise suppression.
- Bel has designed these parts as a family of parts with common footprint and pinouts to enable the designer to customize the use of common mode choke for optimum system performance.
- In multi-port system applications, good PCB layout and proper grounding techniques are very critical to achieve FCC class A and B equipment approvals. Bel recommendations are available and can be provided by contacting our engineering department or your local sales representative.
- Bel's low profile, surface mount packaging is ideal for high speed pick and place machinery. Parts can be shipped on tape and reel for high speed placement. Construction processes have been implemented for thermal compatibility with high temperature IR reflow assembly processing. Post dipping of leads assist with PC board solderability. Each part is optically inspected to meet rigid coplanarity requirements.

**Corporate Office**  
**Bel Fuse Inc.**  
 198 Van Vorst Street, Jersey City, NJ 07302-4496  
 Tel: 201-432-0463  
 Fax: 201-432-9542  
 E-Mail: BelFuse@belfuse.com  
 Internet: http://www.belfuse.com

**Far East Office**  
**Bel Fuse Ltd.**  
 8F/8 Luk Hop Street  
 San Po Kong  
 Kowloon, Hong Kong  
 Tel: 852-2328-5515  
 Fax: 852-2352-3706

**European Office**  
**Bel Fuse Europe Ltd.**  
 Preston Technology Management Centre  
 Marsh Lane, Preston PR1 8UD  
 Lancashire, U.K.  
 Tel: 44-1772-556601  
 Fax: 44-1772-888366