

---

## LOW VOLTAGE DETECTOR

---

NO.EA-056-070829

### OUTLINE

The R3111x series are CMOS-based voltage detector ICs with high detector threshold accuracy and ultra-low supply current, which can be operated at an extremely low voltage and is used for system reset as an example.

Each of these ICs consists of a voltage reference unit, a comparator, resistors for detector threshold setting, an output driver and a hysteresis circuit. The detector threshold is fixed with high accuracy internally and does not require any adjustment.

Three output types, Nch open drain "L" type, Nch open drain "H" type and CMOS type are available.

The R3111x Series are operable at a lower voltage than that for the Rx5VL series, and can be driven by a single battery.

Six types of packages, TO-92, SOT-89, SOT-23-3, SOT-23-5, SC-82AB, and SON1612-6 are available.

### FEATURES

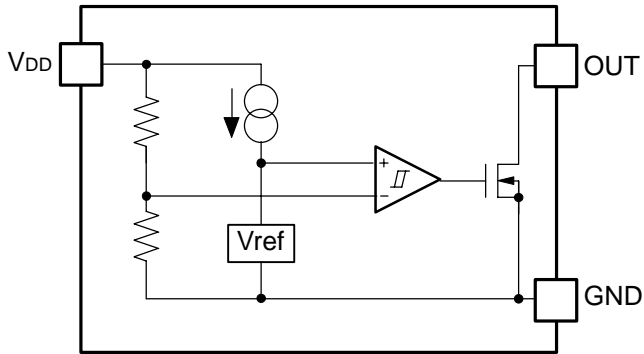
- Supply Current ..... Typ. 0.8 $\mu$ A ( $V_{DD}=1.5V$ )
- Range of Operating Voltage..... 0.7V to 10.0V ( $T_{opt}=25^{\circ}C$ )
- Detector Threshold..... 0.9V to 6.0V
- Accuracy Detector Threshold.....  $\pm 2.0\%$
- Temperature-Drift Coefficient of Detector Threshold ..... Typ.  $\pm 100ppm/^{\circ}C$
- Output Types..... Nch Open Drain "L", Nch Open Drain "H", and CMOS
- Packages ..... TO-92, SOT-89, SOT-23-3, SOT-23-5, SC-82AB, SON1612-6

### APPLICATIONS

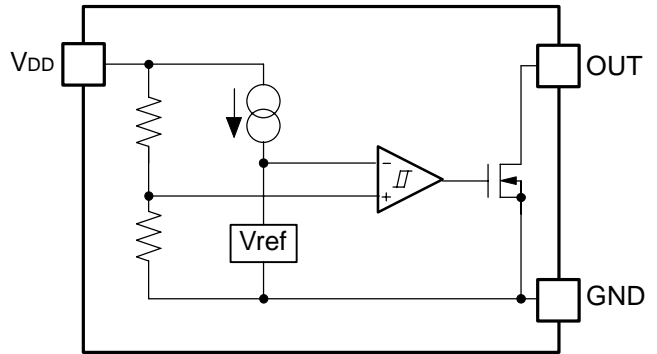
- CPU and Logic Circuit Reset
- Battery Checker
- Window Comparator
- Wave Shaping Circuit
- Battery Back-up Circuit
- Power Failure Detector

**BLOCK DIAGRAMS**

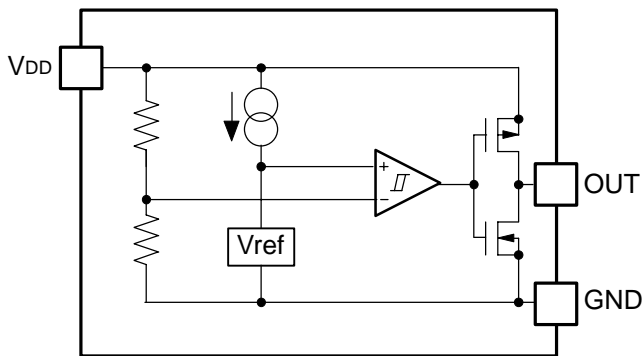
R3111xxxxA



R3111xxxxB



R3111xxxxC



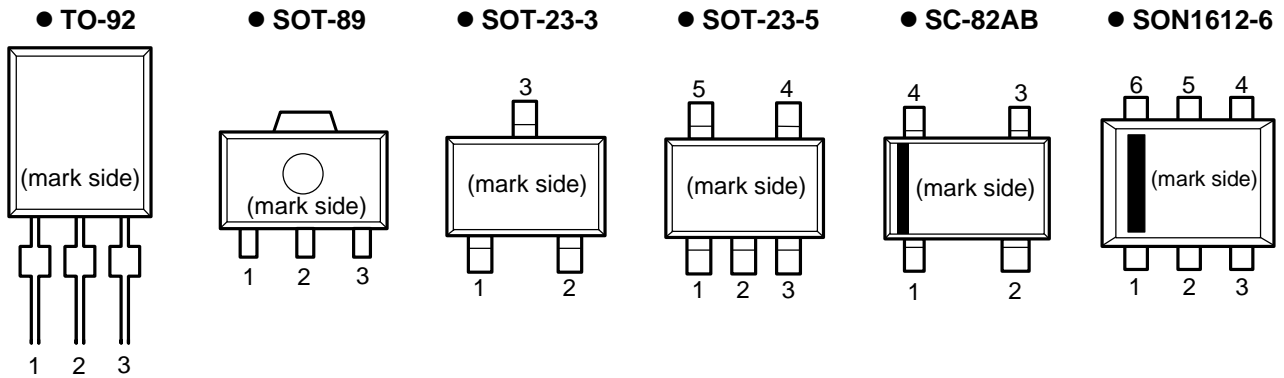
## SELECTION GUIDE

The package type, the detector threshold, the output type and the taping type for the ICs can be selected at the users' request. The selection can be made with designating the part number as shown below;

R3111xxxxx-xx-x ← Part Number  
 ↑ ↑↑↑ ↑ ↑  
 a b c d e f

Code	Contents
a	Designation of Package Type; D: SON1612-6 E: TO-92 H: SOT-89 N: SOT-23-5, SOT-23-3 Q: SC-82AB
b	Setting Detector Threshold ( $-V_{DET}$ ); Stepwise setting with a step of 0.1V in the range of 0.9V to 6.0V is possible.
c	Designation of Package Type 1: except SOT-23-3 2: SOT-23-3
d	Designation of Output Type; A: Nch Open Drain (Output "L" at $V_{DD}=-V_{DET}$ ) B: Nch Open Drain (Output "H" at $V_{DD}=-V_{DET}$ ) C: CMOS (Output "L" at $V_{DD}=-V_{DET}$ )
e	Designation of Packing or Taping Type ; Ex.TO-92: TZ, SOT-89: T1, SOT-23-3, SOT-23-5, SC-82AB, SON1612-6: TR prescribed as standard directions. (Refer to Taping Specifications.) Antistatic bag for TO-92: C
f	Designation of Composition of pin plating -F: Lead free plating (TO-92, SOT-89, SOT-23-3, SOT-23-5, SC-82AB, SON1612-6)

## PIN CONFIGURATIONS



## PIN DESCRIPTIONS

● TO-92		● SOT-89		● SOT-23-3	
Pin No.	Symbol	Pin No.	Symbol	Pin No.	Symbol
1	V <sub>DD</sub>	1	OUT	1	OUT
2	GND	2	V <sub>DD</sub>	2	GND
3	OUT	3	GND	3	V <sub>DD</sub>

● SOT-23-5		● SC-82AB		● SON1612-6	
Pin No.	Symbol	Pin No.	Symbol	Pin No.	Symbol
1	OUT	1	OUT	1	OUT
2	V <sub>DD</sub>	2	V <sub>DD</sub>	2	V <sub>DD</sub>
3	GND	3	NC	3	GND
4	NC	4	GND	4	NC
5	NC			5	V <sub>DD</sub>
				6	NC

## ABSOLUTE MAXIMUM RATINGS

Symbol	Item	Rating	Unit
$V_{DD}$	Supply Voltage	12	V
$V_{OUT1}$	Output Voltage (CMOS)	$V_{SS}-0.3$ to $V_{DD}+0.3$	V
$V_{OUT2}$	Output Voltage (Nch)	$V_{SS}-0.3$ to 12	V
$I_{OUT}$	Output Current	70	mA
$P_D$	Power Dissipation (TO-92)*	300	mW
	Power Dissipation (SOT-89)*	900	
	Power Dissipation (SOT-23-3)*	420	
	Power Dissipation (SOT-23-5)*	420	
	Power Dissipation (SC-82AB)*	380	
	Power Dissipation (SON1612-6)*	500	
$T_{opt}$	Operating Temperature Range	-40 to 85	°C
$T_{stg}$	Storage Temperature Range	-55 to 125	°C
$T_{solder}$	Lead temperature (Soldering)	260°C, 10s	

\* ) For Power Dissipation, please refer to PACKAGE INFORMATION to be described.

## ELECTRICAL CHARACTERISTICS

## • R3111x09xA/C

T<sub>opt</sub>=25°C

Symbol	Item	Conditions	Min.	Typ.	Max.	Unit
-V <sub>DET</sub>	Detector Threshold		0.882	0.900	0.918	V
V <sub>HYS</sub>	Detector Threshold Hysteresis		0.027	0.045	0.063	V
I <sub>SS</sub>	Supply Current	V <sub>DD</sub> =0.80V V <sub>DD</sub> =2.90V		0.8 0.9	2.4 2.7	μA
V <sub>DDH</sub>	Maximum Operating Voltage				10	V
V <sub>DDL</sub>	Minimum Operating Voltage <sup>*Note1</sup>	T <sub>opt</sub> =25°C		0.55	0.70	V
		-40°C ≤ T <sub>opt</sub> ≤ 85°C		0.65	0.80	
I <sub>OUT</sub>	Output Current (Driver Output Pin)	Nch V <sub>DS</sub> =0.05V, V <sub>DD</sub> =0.70V V <sub>DS</sub> =0.50V, V <sub>DD</sub> =0.85V	0.01 0.05	0.05 0.50		mA
		Pch V <sub>DS</sub> =-2.1V, V <sub>DD</sub> =4.5V	1.0	2.0		mA
t <sub>PLH</sub>	Output Delay Time <sup>*Note2</sup>				100	μs
Δ-V <sub>DET</sub> / ΔT <sub>opt</sub>	Detector Threshold Temperature Coefficient	-40°C ≤ T <sub>opt</sub> ≤ 85°C		±100		ppm/°C

## • R3111x18xA/C

T<sub>opt</sub>=25°C

Symbol	Item	Conditions	Min.	Typ.	Max.	Unit
-V <sub>DET</sub>	Detector Threshold		1.764	1.800	1.836	V
V <sub>HYS</sub>	Detector Threshold Hysteresis		0.054	0.090	0.126	V
I <sub>SS</sub>	Supply Current	V <sub>DD</sub> =1.70V V <sub>DD</sub> =3.80V		0.8 1.0	2.4 3.0	μA
V <sub>DDH</sub>	Maximum Operating Voltage				10	V
V <sub>DDL</sub>	Minimum Operating Voltage <sup>*Note1</sup>	T <sub>opt</sub> =25°C		0.55	0.70	V
		-40°C ≤ T <sub>opt</sub> ≤ 85°C		0.65	0.80	
I <sub>OUT</sub>	Output Current (Driver Output Pin)	Nch V <sub>DS</sub> =0.05V, V <sub>DD</sub> =0.70V V <sub>DS</sub> =0.50V, V <sub>DD</sub> =1.50V	0.01 1.00	0.05 2.00		mA
		Pch V <sub>DS</sub> =-2.1V, V <sub>DD</sub> =4.5V	1.0	2.0		mA
t <sub>PLH</sub>	Output Delay Time <sup>*Note2</sup>				100	μs
Δ-V <sub>DET</sub> / ΔT <sub>opt</sub>	Detector Threshold Temperature Coefficient	-40°C ≤ T <sub>opt</sub> ≤ 85°C		±100		ppm/°C

\*Note1: Minimum operating voltage means the value of input voltage when output voltage maintains 0.1V or less. (In the case of Nch Open Drain Output type, the output pin is pulled up with a resistance of 470kΩ to 5.0V.)

\*Note2: In the case of CMOS Output type: The time interval between the rising edge of V<sub>DD</sub> input pulse from 0.7V to (+V<sub>DET</sub>)+2.0V and output voltage level becoming to ((+V<sub>DET</sub>)+2.0V)/2.

In the case of Nch Open Drain Output type: The output pin is pulled up with a resistance of 470kΩ to 5.0V, the time interval between the rising edge of V<sub>DD</sub> input pulse from 0.7V to (+V<sub>DET</sub>)+2.0V and output voltage level becoming to 2.5V.

## ● R3111x27xA/C

T<sub>opt</sub>=25°C

Symbol	Item	Conditions	Min.	Typ.	Max.	Unit
-V <sub>DET</sub>	Detector Threshold		2.646	2.700	2.754	V
V <sub>HYS</sub>	Detector Threshold Hysteresis		0.081	0.135	0.189	V
I <sub>SS</sub>	Supply Current	V <sub>DD</sub> =2.60V V <sub>DD</sub> =4.70V		0.9 1.1	2.7 3.3	μA
V <sub>DDH</sub>	Maximum Operating Voltage				10	V
V <sub>DDL</sub>	Minimum Operating Voltage <sup>*Note1</sup>	T <sub>opt</sub> =25°C		0.55	0.70	V
		-40°C ≤ T <sub>opt</sub> ≤ 85°C		0.65	0.80	
I <sub>OUT</sub>	Output Current (Driver Output Pin)	Nch V <sub>DS</sub> =0.05V, V <sub>DD</sub> =0.70V V <sub>DS</sub> =0.50V, V <sub>DD</sub> =1.50V	0.01 1.00	0.05 2.00		mA
		Pch V <sub>DS</sub> =-2.1V, V <sub>DD</sub> =4.5V	1.0	2.0		mA
t <sub>PLH</sub>	Output Delay Time <sup>*Note2</sup>				100	μs
$\frac{\Delta -V_{DET}}{\Delta T_{opt}}$	Detector Threshold Temperature Coefficient	-40°C ≤ T <sub>opt</sub> ≤ 85°C		±100		ppm/°C

## ● R3111x36xA/C

T<sub>opt</sub>=25°C

Symbol	Item	Conditions	Min.	Typ.	Max.	Unit
-V <sub>DET</sub>	Detector Threshold		3.528	3.600	3.672	V
V <sub>HYS</sub>	Detector Threshold Hysteresis		0.108	0.180	0.252	V
I <sub>SS</sub>	Supply Current	V <sub>DD</sub> = 3.47V V <sub>DD</sub> = 5.60V		1.0 1.2	3.0 3.6	μA
V <sub>DDH</sub>	Maximum Operating Voltage				10	V
V <sub>DDL</sub>	Minimum Operating Voltage <sup>*Note1</sup>	T <sub>opt</sub> =25°C		0.55	0.70	V
		-40°C ≤ T <sub>opt</sub> ≤ 85°C		0.65	0.80	
I <sub>OUT</sub>	Output Current (Driver Output Pin)	Nch V <sub>DS</sub> =0.05V, V <sub>DD</sub> =0.70V V <sub>DS</sub> =0.50V, V <sub>DD</sub> =1.50V	0.01 1.00	0.05 2.00		mA
		Pch V <sub>DS</sub> =-2.1V, V <sub>DD</sub> =4.5V	1.0	2.0		mA
t <sub>PLH</sub>	Output Delay Time <sup>*Note2</sup>				100	μs
$\frac{\Delta -V_{DET}}{\Delta T_{opt}}$	Detector Threshold Temperature Coefficient	-40°C ≤ T <sub>opt</sub> ≤ 85°C		±100		ppm/°C

\*Note1: Minimum operating voltage means the value of input voltage when output voltage maintains 0.1V or less. (In the case of Nch Open Drain Output type, the output pin is pulled up with a resistance of 470kΩ to 5.0V.)

\*Note2: In the case of CMOS Output type: The time interval between the rising edge of V<sub>DD</sub> input pulse from 0.7V to (+V<sub>DET</sub>)+2.0V and output voltage level becoming to ((+V<sub>DET</sub>)+2.0V)/2.

In the case of Nch Open Drain Output type: The output pin is pulled up with a resistance of 470kΩ to 5.0V, the time interval between the rising edge of V<sub>DD</sub> input pulse from 0.7V to (+V<sub>DET</sub>)+2.0V and output voltage level becoming to 2.5V.

## R3111x

### • R3111x45xA/C

T<sub>opt</sub>=25°C

Symbol	Item	Conditions	Min.	Typ.	Max.	Unit
-V <sub>DET</sub>	Detector Threshold		4.410	4.500	4.590	V
V <sub>HYS</sub>	Detector Threshold Hysteresis		0.135	0.225	0.315	V
I <sub>SS</sub>	Supply Current	V <sub>DD</sub> =4.34V V <sub>DD</sub> =6.50V		1.1 1.3	3.3 3.9	μA
V <sub>DDH</sub>	Maximum Operating Voltage				10	V
V <sub>DDL</sub>	Minimum Operating Voltage <sup>*Note1</sup>	T <sub>opt</sub> =25°C		0.55	0.70	V
		-40°C ≤ T <sub>opt</sub> ≤ 85°C		0.65	0.80	
I <sub>OUT</sub>	Output Current (Driver Output Pin)	Nch V <sub>DS</sub> =0.05V, V <sub>DD</sub> =0.70V V <sub>DS</sub> =0.50V, V <sub>DD</sub> =1.50V	0.01 1.00	0.05 2.00		mA
		Pch V <sub>DS</sub> =-2.1V, V <sub>DD</sub> =8.0V	1.5	3.0		
t <sub>PLH</sub>	Output Delay Time <sup>*Note2</sup>				100	μs
$\frac{\Delta -V_{DET}}{\Delta T_{opt}}$	Detector Threshold Temperature Coefficient	-40°C ≤ T <sub>opt</sub> ≤ 85°C		±100		ppm/°C

### • R3111x54xA/C

T<sub>opt</sub>=25°C

Symbol	Item	Conditions	Min.	Typ.	Max.	Unit
-V <sub>DET</sub>	Detector Threshold		5.292	5.400	5.508	V
V <sub>HYS</sub>	Detector Threshold Hysteresis		0.162	0.270	0.378	V
I <sub>SS</sub>	Supply Current	V <sub>DD</sub> =5.20V V <sub>DD</sub> =7.40V		1.2 1.4	3.6 4.2	μA
V <sub>DDH</sub>	Maximum Operating Voltage				10	V
V <sub>DDL</sub>	Minimum Operating Voltage <sup>*Note1</sup>	T <sub>opt</sub> =25°C		0.55	0.70	V
		-40°C ≤ T <sub>opt</sub> ≤ 85°C		0.65	0.80	
I <sub>OUT</sub>	Output Current (Driver Output Pin)	Nch V <sub>DS</sub> =0.05V, V <sub>DD</sub> =0.70V V <sub>DS</sub> =0.50V, V <sub>DD</sub> =1.50V	0.01 1.00	0.05 2.00		mA
		Pch V <sub>DS</sub> =-2.1V, V <sub>DD</sub> =8.0V	1.5	3.0		
t <sub>PLH</sub>	Output Delay Time <sup>*Note2</sup>				100	μs
$\frac{\Delta -V_{DET}}{\Delta T_{opt}}$	Detector Threshold Temperature Coefficient	-40°C ≤ T <sub>opt</sub> ≤ 85°C		±100		ppm/°C

\*Note1: Minimum operating voltage means the value of input voltage when output voltage maintains 0.1V or less. (In the case of Nch Open Drain Output type, the output pin is pulled up with a resistance of 470kΩ to 5.0V.)

\*Note2: In the case of CMOS Output type: The time interval between the rising edge of V<sub>DD</sub> input pulse from 0.7V to (+V<sub>DET</sub>)+2.0V and output voltage level becoming to ((+V<sub>DET</sub>)+2.0V)/2.

In the case of Nch Open Drain Output type: The output pin is pulled up with a resistance of 470kΩ to 5.0V, the time interval between the rising edge of V<sub>DD</sub> input pulse from 0.7V to (+V<sub>DET</sub>)+2.0V and output voltage level becoming to 2.5V.



## ● R3111Q231B

T<sub>opt</sub>=25°C

Symbol	Item	Conditions	Min.	Typ.	Max.	Unit
-V <sub>DET</sub>	Detector Threshold		2.254	2.300	2.346	V
V <sub>HYS</sub>	Detector Threshold Hysteresis		0.069	0.115	0.161	V
I <sub>SS</sub>	Supply Current	V <sub>DD</sub> =2.2V V <sub>DD</sub> =4.3V		0.9 1.1	2.7 3.3	μA
V <sub>DDH</sub>	Maximum Operating Voltage				10	V
V <sub>DDL</sub>	Minimum Operating Voltage <sup>*Note1</sup>	T <sub>opt</sub> =25°C		0.55	0.70	V
		-40°C ≤ T <sub>opt</sub> ≤ 85°C		0.65	0.80	
I <sub>OUT</sub>	Output Current (Driver Output Pin)	Nch V <sub>DS</sub> =0.50V, V <sub>DD</sub> =3.0V	2.5			mA
t <sub>PLH</sub>	Output Delay Time <sup>*Note2</sup>				100	μs
$\frac{\Delta -V_{DET}}{\Delta T_{opt}}$	Detector Threshold Temperature Coefficient	-40°C ≤ T <sub>opt</sub> ≤ 85°C		±100		ppm/°C

## ● R3111Q441B

T<sub>opt</sub>=25°C

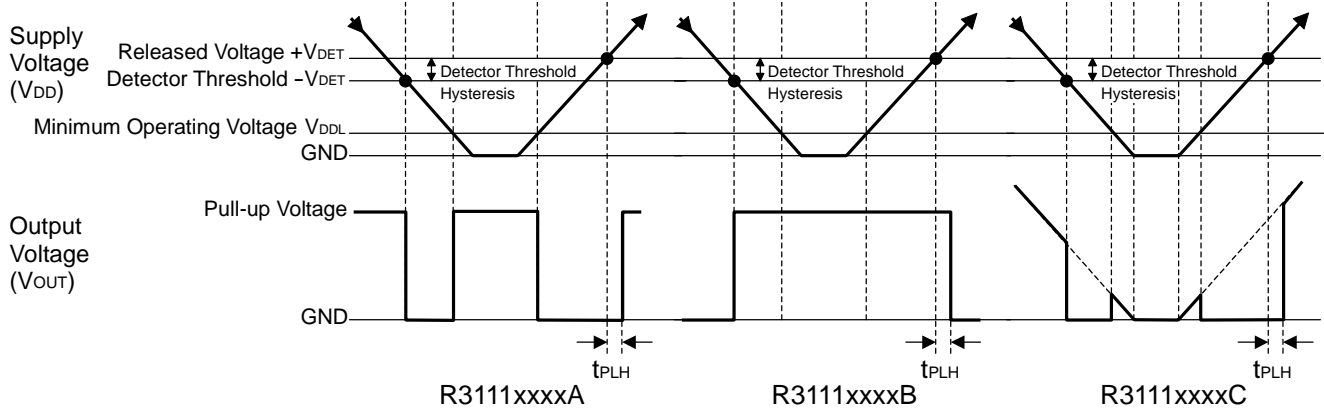
Symbol	Item	Conditions	Min.	Typ.	Max.	Unit
-V <sub>DET</sub>	Detector Threshold		4.312	4.400	4.488	V
V <sub>HYS</sub>	Detector Threshold Hysteresis		0.132	0.220	0.308	V
I <sub>SS</sub>	Supply Current	V <sub>DD</sub> =4.24V V <sub>DD</sub> =6.4V		1.1 1.3	3.3 3.9	μA
V <sub>DDH</sub>	Maximum Operating Voltage				10	V
V <sub>DDL</sub>	Minimum Operating Voltage <sup>*Note1</sup>	T <sub>opt</sub> =25°C		0.55	0.70	V
		-40°C ≤ T <sub>opt</sub> ≤ 85°C		0.65	0.80	
I <sub>OUT</sub>	Output Current (Driver Output Pin)	Nch V <sub>DS</sub> =0.50V, V <sub>DD</sub> =5.5V	2.5			mA
t <sub>PLH</sub>	Output Delay Time <sup>*Note2</sup>				100	μs
$\frac{\Delta -V_{DET}}{\Delta T_{opt}}$	Detector Threshold Temperature Coefficient	-40°C ≤ T <sub>opt</sub> ≤ 85°C		±100		ppm/°C

\*Note1: Minimum operating voltage means the value of input voltage when output voltage maintains 0.1V or less. (In the case of Nch Open Drain Output type, the output pin is pulled up with a resistance of 470kΩ to 5.0V.)

\*Note2: In the case of CMOS Output type: The time interval between the rising edge of V<sub>DD</sub> input pulse from 0.7V to (+V<sub>DET</sub>)+2.0V and output voltage level becoming to ((+V<sub>DET</sub>)+2.0V)/2.

In the case of Nch Open Drain Output type: The output pin is pulled up with a resistance of 470kΩ to 5.0V, the time interval between the rising edge of V<sub>DD</sub> input pulse from 0.7V to (+V<sub>DET</sub>)+2.0V and output voltage level becoming to 2.5V.

## TIMING CHART



## DEFINITION OF OUTPUT DELAY TIME

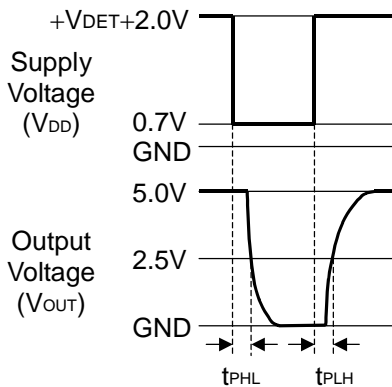
Output Delay Time ( $t_{PLH}$ ) is defined as follows:

1. In the case of Nch Open Drain Output:(R3111xxxxA/B)

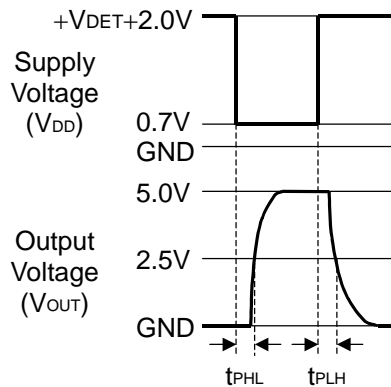
Under the condition of the output pin (OUT) is pulled up through a resistor of 470k $\Omega$  to 5V, the time interval between the rising edge of  $V_{DD}$  pulse from 0.7V to  $(+V_{DET})+2.0V$  and becoming of the output voltage to 2.5V.

2. In the case of CMOS Output:(R3111xxxxC)

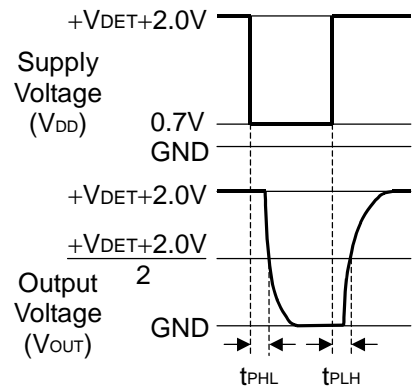
The time interval between the rising edge of  $V_{DD}$  pulse from 0.7V to  $(+V_{DET})+2.0V$  and becoming of the output voltage to  $((+V_{DET})+2.0V)/2$ .



**Nch Open Drain Output  
(R3111xxxxA)**



**Nch Open Drain Output  
(R3111xxxxB)**



**CMOS Output  
(R3111xxxxC)**



## ELECTRICAL CHARACTERISTICS BY DETECTOR THRESHOLD

## ● R3111x09x to R3111x60x

Part Number	Detector Threshold			Detector Threshold Hysteresis			Supply Current 1			Supply Current 2																																										
	-V <sub>DET</sub> [V]			V <sub>HYS</sub> [V]			I <sub>SS1</sub> [μA]			I <sub>SS2</sub> [μA]																																										
	Min.	Typ.	Max.	Min.	Typ.	Max.	Condition	Typ.	Max.	Condition	Typ.	Max.																																								
R3111x09xx	0.882	0.900	0.918	0.027	0.045	0.063	V <sub>DD</sub> = (-V <sub>DET</sub> ) -0.10V	0.8	2.4	1.0	0.9	2.7																																								
R3111x10xx	0.980	1.000	1.020	0.030	0.050	0.070					0.9	2.7	1.1	3.3																																						
R3111x11xx	1.078	1.100	1.122	0.033	0.055	0.077									V <sub>DD</sub> = (-V <sub>DET</sub> ) -0.13V	1.0	3.0	1.2	3.6																																	
R3111x12xx	1.176	1.200	1.224	0.036	0.060	0.084														1.1	3.3	1.3	3.9																													
R3111x13xx	1.274	1.300	1.326	0.039	0.065	0.091																		V <sub>DD</sub> = (-V <sub>DET</sub> ) -0.16V	1.1	3.3	1.3	3.9																								
R3111x14xx	1.372	1.400	1.428	0.042	0.070	0.098																							1.2	3.6	1.4	4.2																				
R3111x15xx	1.470	1.500	1.530	0.045	0.075	0.105																											V <sub>DD</sub> = (-V <sub>DET</sub> ) -0.20V	1.2	3.6	1.4	4.2															
R3111x16xx	1.568	1.600	1.632	0.048	0.080	0.112																																1.2	3.6	1.4	4.2											
R3111x17xx	1.666	1.700	1.734	0.051	0.085	0.119																																				1.2	3.6	1.4	4.2							
R3111x18xx	1.764	1.800	1.836	0.054	0.090	0.126																																								1.2	3.6	1.4	4.2			
R3111x19xx	1.862	1.900	1.938	0.057	0.095	0.133		1.2	3.6	1.4																																								4.2		
R3111x20xx	1.960	2.000	2.040	0.060	0.100	0.140					1.2	3.6	1.4	4.2																																						
R3111x21xx	2.058	2.100	2.142	0.063	0.105	0.147										1.2	3.6	1.4	4.2																																	
R3111x22xx	2.156	2.200	2.244	0.066	0.110	0.154														1.2	3.6	1.4	4.2																													
R3111x23xx	2.254	2.300	2.346	0.069	0.115	0.161																			1.2	3.6	1.4	4.2																								
R3111x24xx	2.352	2.400	2.448	0.072	0.120	0.168																							1.2	3.6	1.4	4.2																				
R3111x25xx	2.450	2.500	2.550	0.075	0.125	0.175																												1.2	3.6	1.4	4.2															
R3111x26xx	2.548	2.600	2.652	0.078	0.130	0.182																																	1.2	3.6	1.4										4.2	
R3111x27xx	2.646	2.700	2.754	0.081	0.135	0.189																																					1.2	3.6	1.4							4.2
R3111x28xx	2.744	2.800	2.856	0.084	0.140	0.196																																									1.2	3.6	1.4			
R3111x29xx	2.842	2.900	2.958	0.087	0.145	0.203	1.2		3.6	1.4																																								4.2		
R3111x30xx	2.940	3.000	3.060	0.090	0.150	0.210						1.2	3.6	1.4																																						
R3111x31xx	3.038	3.100	3.162	0.093	0.155	0.217									1.2		3.6	1.4	4.2																																	
R3111x32xx	3.136	3.200	3.264	0.096	0.160	0.224															1.2	3.6	1.4																													
R3111x33xx	3.234	3.300	3.366	0.099	0.165	0.231																		1.2		3.6	1.4	4.2																								
R3111x34xx	3.332	3.400	3.468	0.102	0.170	0.238																								1.2	3.6	1.4																				
R3111x35xx	3.430	3.500	3.570	0.105	0.175	0.245																											1.2		3.6	1.4	4.2															
R3111x36xx	3.528	3.600	3.672	0.108	0.180	0.252																																1.2		3.6	1.4										4.2	
R3111x37xx	3.626	3.700	3.774	0.111	0.185	0.259																																				1.2		3.6	1.4							4.2
R3111x38xx	3.724	3.800	3.876	0.114	0.190	0.266																																								1.2		3.6	1.4			
R3111x39xx	3.822	3.900	3.978	0.117	0.195	0.273		1.2	3.6	1.4																																								4.2		
R3111x40xx	3.920	4.000	4.080	0.120	0.200	0.280					1.2		3.6	1.4																																						
R3111x41xx	4.018	4.100	4.182	0.123	0.205	0.287										1.2	3.6	1.4	4.2																																	
R3111x42xx	4.116	4.200	4.284	0.126	0.210	0.294														1.2		3.6	1.4																													
R3111x43xx	4.214	4.300	4.386	0.129	0.215	0.301																			1.2	3.6	1.4	4.2																								
R3111x44xx	4.312	4.400	4.488	0.132	0.220	0.308																							1.2		3.6	1.4																				
R3111x45xx	4.410	4.500	4.590	0.135	0.225	0.315																												1.2	3.6	1.4	4.2															
R3111x46xx	4.508	4.600	4.692	0.138	0.230	0.322																																	1.2	3.6	1.4										4.2	
R3111x47xx	4.606	4.700	4.794	0.141	0.235	0.329																																					1.2	3.6	1.4							4.2
R3111x48xx	4.704	4.800	4.896	0.144	0.240	0.336																																									1.2	3.6	1.4			
R3111x49xx	4.802	4.900	4.998	0.147	0.245	0.343	1.2		3.6	1.4																																								4.2		
R3111x50xx	4.900	5.000	5.100	0.150	0.250	0.350						1.2	3.6	1.4																																						
R3111x51xx	4.998	5.100	5.202	0.153	0.255	0.357									1.2		3.6	1.4	4.2																																	
R3111x52xx	5.096	5.200	5.304	0.156	0.260	0.364															1.2	3.6	1.4																													
R3111x53xx	5.194	5.300	5.406	0.159	0.265	0.371																		1.2		3.6	1.4	4.2																								
R3111x54xx	5.292	5.400	5.508	0.162	0.270	0.378																								1.2	3.6	1.4																				
R3111x55xx	5.390	5.500	5.610	0.165	0.275	0.385																											1.2		3.6	1.4	4.2															
R3111x56xx	5.488	5.600	5.712	0.168	0.280	0.392																																1.2		3.6	1.4										4.2	
R3111x57xx	5.586	5.700	5.814	0.171	0.285	0.399																																				1.2		3.6	1.4							4.2
R3111x58xx	5.684	5.800	5.916	0.174	0.290	0.406																																								1.2		3.6	1.4			
R3111x59xx	5.782	5.900	6.018	0.177	0.295	0.413		1.2	3.6	1.4																																								4.2		
R3111x60xx	5.880	6.000	6.120	0.180	0.300	0.420					1.2		3.6	1.4																																						

\*1) In the case of CMOS output type; when the voltage is forced to V<sub>DD</sub> from 0.7V to (+V<sub>DET</sub>)+2.0V, time interval between the rising edge of V<sub>DD</sub> and the reaching point at ((+V<sub>DET</sub>)+2.0V)/2. In the case of Nch open drain output type : The output pin is pulled up to 5V through 470kΩ, and when the voltage is forced to V<sub>DD</sub> from 0.7V to (+V<sub>DET</sub>)+2.0V, time interval between the rising edge of V<sub>DD</sub> and the reaching point at ((+V<sub>DET</sub>)+2.0V)/2.

\*2) V<sub>DD</sub> value when Output Voltage is equal or less than 0.1V. In the case of Nch open drain output type, the output pin is pulled up to 5V through 470kΩ resistor.

Condition 1: T<sub>opt</sub>=25°C

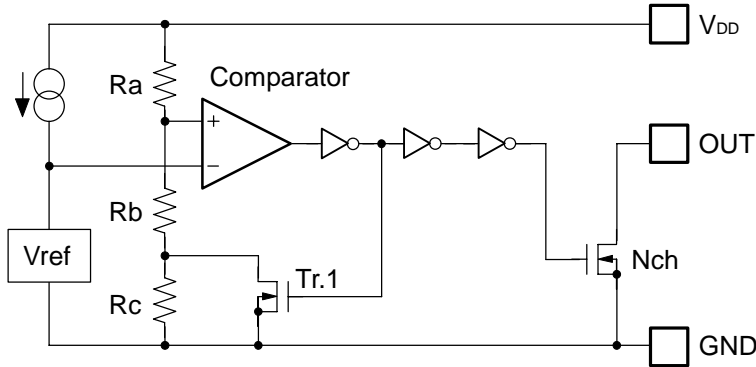
Condition 2: -40°C ≤ T<sub>opt</sub> ≤ 85°C

Output Current 1 *3			Output Current 2 *3			Output Delay Time	Minimum Operating Voltage		Detector Threshold Temperature Coefficient	
I <sub>OUT1</sub> [mA]			I <sub>OUT2</sub> [mA]			t <sub>PLH</sub> [μs]	V <sub>DDL</sub> [V]		Δ-V <sub>DET</sub> /ΔT <sub>opt</sub> [ppm/°C]	
Condition	Min.	Typ.	Condition	Min.	Typ.	Max.	Typ.	Max.	Condition	Typ.
Nch V <sub>DS</sub> =0.05V V <sub>DD</sub> =0.7V	0.01	0.05	V <sub>DD</sub> = 0.85V	0.05	0.5	100 *1			-40°C ≦ T <sub>opt</sub> ≦ 85°C	±100
			V <sub>DD</sub> = 1.0V	0.2	1.0					
			V <sub>DD</sub> = 1.5V	1.0	2.0					
							*2 Condition 1 0.55	*2 Condition 1 0.70		
							Condition 2 0.65	Condition 2 0.80		

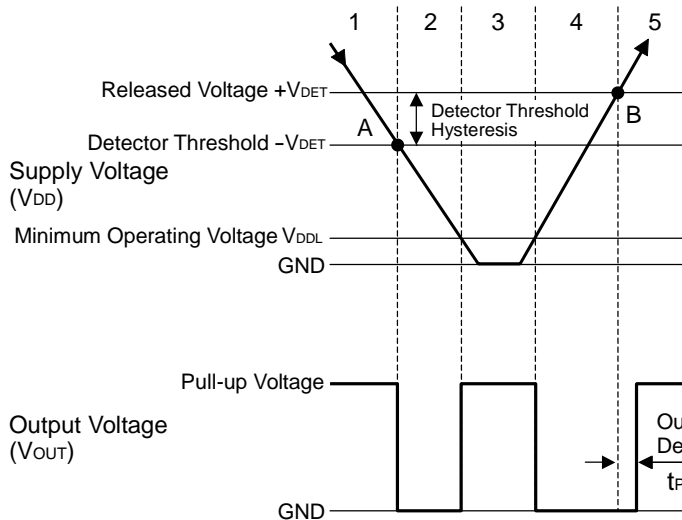
\*3) Output Current (I<sub>OUT</sub>) of R3111xxxxB has not been described. Please inquire details.

## OPERATION

### • Operation of R3111xxxxA



Block Diagram (R3111xxxxA)



Step	1	2	3	4	5
Comparator (+) Pin Input Voltage	I	II	II	II	I
Comparator Output	H	L	Indefinite	L	H
Tr.1	OFF	ON	Indefinite	ON	OFF
Output Tr. Nch	OFF	ON	Indefinite	ON	OFF

$$I \quad \frac{R_b + R_c}{R_a + R_b + R_c} \times V_{DD}$$

$$II \quad \frac{R_b}{R_a + R_b} \times V_{DD}$$

Operation Diagram

### • Explanation of operation

Step 1. The output voltage is equal to the pull-up voltage.

Step 2. At Point "A",  $V_{ref} \geq V_{DD} \times (R_b + R_c) / (R_a + R_b + R_c)$  is true, as a result, the output of comparator is reversed from "H" to "L", therefore the output voltage becomes the GND level. The voltage level of Point A means a detector threshold voltage ( $-V_{DET}$ ).

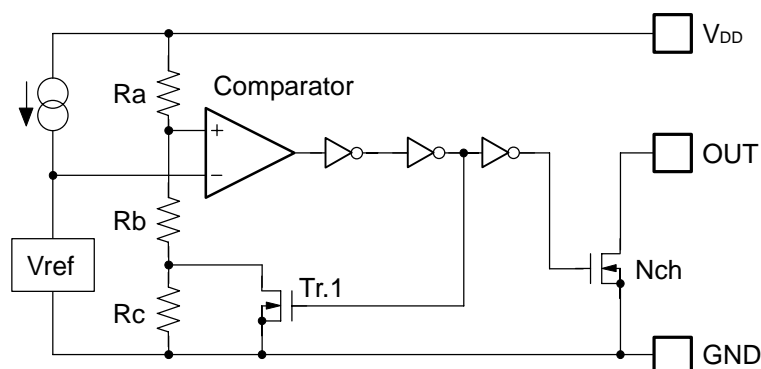
Step 3. When the supply voltage is lower than the minimum operating voltage, the operation of the output transistor becomes indefinite. The output voltage is equal to the pull-up voltage.

Step 4. The output Voltage is equal to the GND level.

Step 5. At Point "B",  $V_{ref} \leq V_{DD} \times R_b / (R_a + R_b)$  is true, as a result, the output of comparator is reversed from "L" to "H", then the output voltage is equal to the pull-up voltage. The voltage level of Point B means a released voltage ( $+V_{DET}$ ).

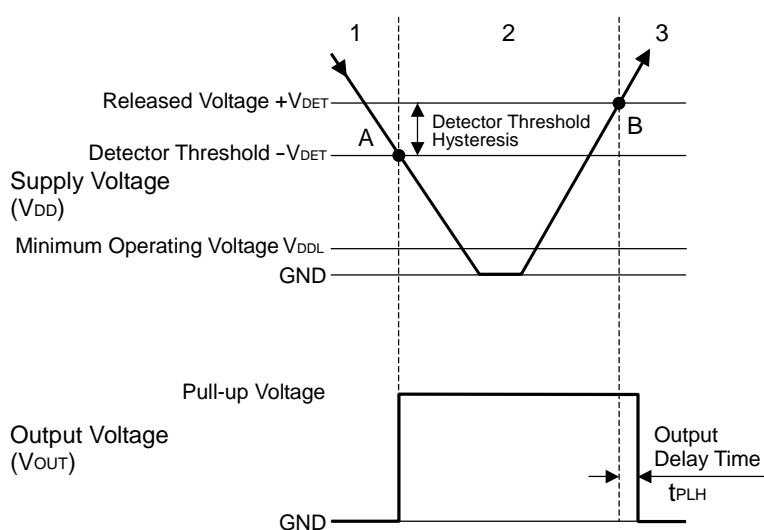
\*) The difference between a released voltage and a detector threshold voltage is a detector threshold hysteresis.

### • Operation of R3111xxxxB



OUT pin should be pulled-up to  $V_{DD}$  or an external voltage level.

**Block Diagram (R3111xxxxB)**



**Operation Diagram**

Step	1	2	3
Comparator (+) Pin Input Voltage	I	II	I
Comparator Output	L	H	L
Tr.1	OFF	ON	OFF
Output Tr. Nch	ON	OFF	ON

$$I \quad \frac{R_b + R_c}{R_a + R_b + R_c} \times V_{DD}$$

$$II \quad \frac{R_b}{R_a + R_b} \times V_{DD}$$

### • Explanation of operation

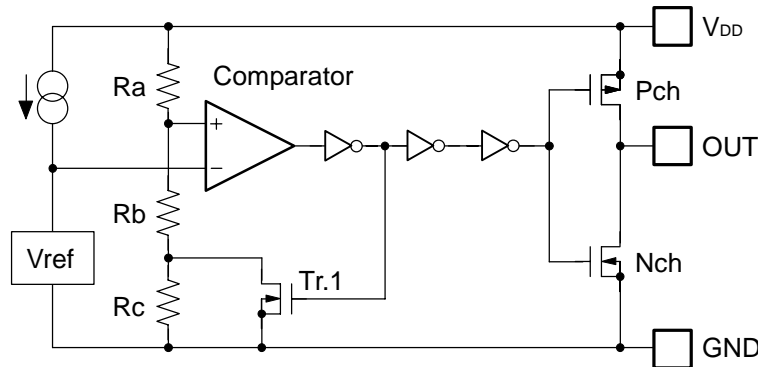
Step 1. The output voltage is equal to the GND level.

Step 2. At Point "A",  $V_{ref} \geq V_{DD} \times (R_b + R_c) / (R_a + R_b + R_c)$  is true, as a result, the output of comparator is reversed from "L" to "H", therefore the output voltage becomes the pull-up voltage. The voltage level of Point A means a detector threshold voltage ( $-V_{DET}$ ).

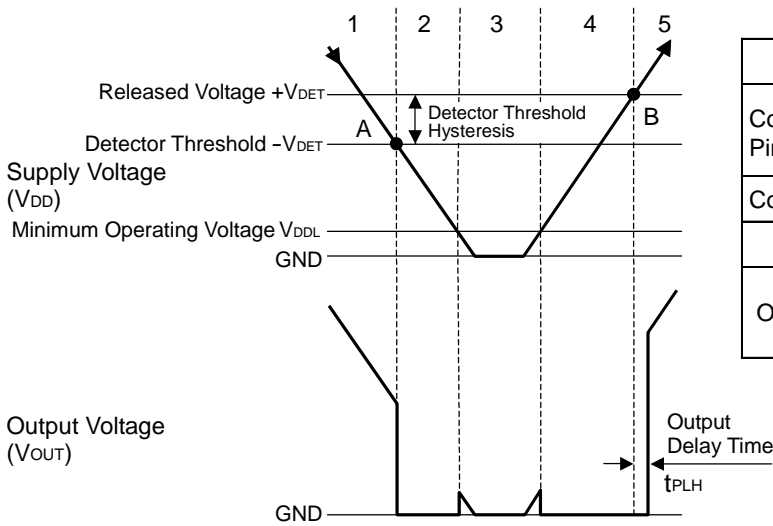
Step 3. At Point "B",  $V_{ref} \leq V_{DD} \times R_b / (R_a + R_b)$  is true, as a result, the output of comparator is reversed from "H" to "L", then the output voltage is equal to the GND level. The voltage level of Point B means a released voltage ( $+V_{DET}$ ).

\*) The difference between a released voltage and a detector threshold voltage is a detector threshold hysteresis.

• Operation of R3111xxxxC



Block Diagram (R3111xxxxC)



Step	1	2	3	4	5
Comparator (-) Pin Input Voltage	I	II	II	II	I
Comparator Output	H	L	Indefinite	L	H
Tr.1	OFF	ON	Indefinite	ON	OFF
Output Tr.	Pch	ON	OFF	Indefinite	OFF
	Nch	OFF	ON	Indefinite	ON

$$I \quad \frac{R_b + R_c}{R_a + R_b + R_c} \times V_{DD}$$

$$II \quad \frac{R_b}{R_a + R_b} \times V_{DD}$$

Operation Diagram

• Explanation of operation

Step 1. The output voltage is equal to the supply voltage ( $V_{DD}$ ).

Step 2. At Point "A",  $V_{ref} \geq V_{DD} \times (R_b + R_c) / (R_a + R_b + R_c)$  is true, as a result, the output of comparator is reversed from "H" to "L", therefore the output voltage becomes the GND level. The voltage level of Point A means a detector threshold voltage ( $-V_{DET}$ ).

Step 3. When the supply voltage is lower than the minimum operating voltage, the operation of the output transistor becomes indefinite.

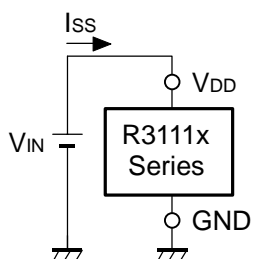
Step 4. The output Voltage is equal to the GND level.

Step 5. At Point "B",  $V_{ref} \leq V_{DD} \times R_b / (R_a + R_b)$  is true, as a result, the output of comparator is reversed from "L" to "H", then the output voltage is equal to the supply voltage ( $V_{DD}$ ). The voltage level of Point B means a released voltage ( $+V_{DET}$ ).

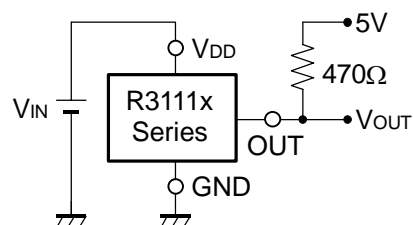
\*) The difference between a released voltage and a detector threshold voltage is a detector threshold hysteresis.



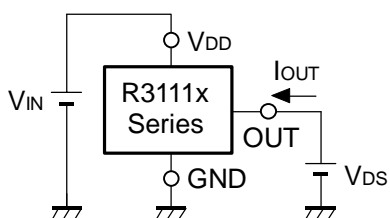
## TEST CIRCUITS



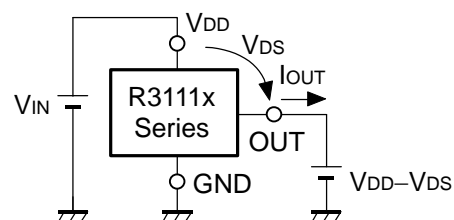
**Supply Current Test Circuit**



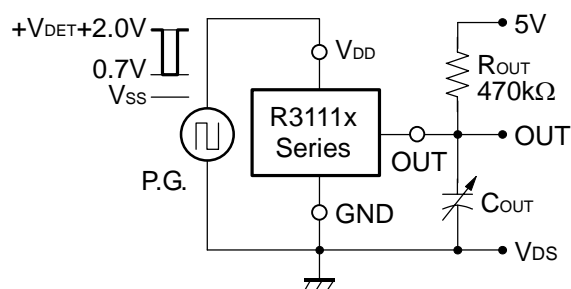
**Detector Threshold Test Circuit**  
(Pull-up circuit is not necessary for CMOS Output type.)



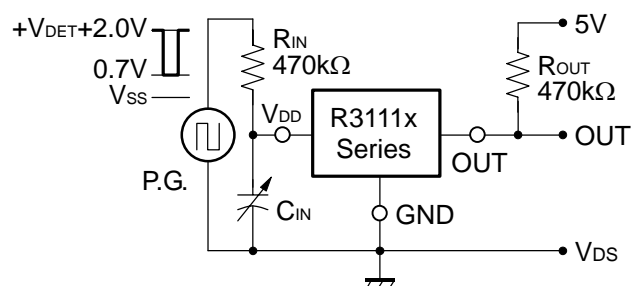
**Nch Driver Output Current Test Circuit**



**Pch Driver Output Current Test Circuit**  
\*Apply to CMOS Output type only



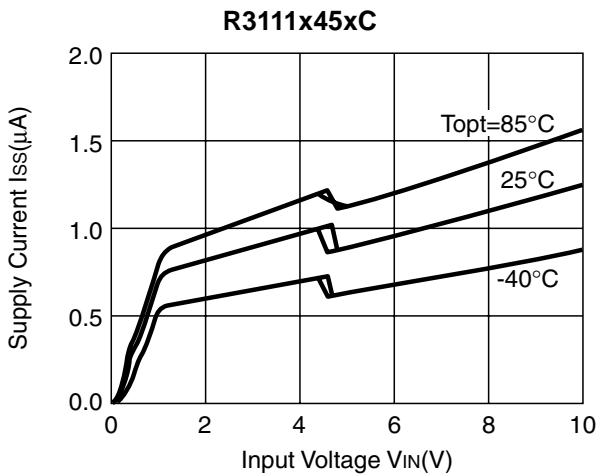
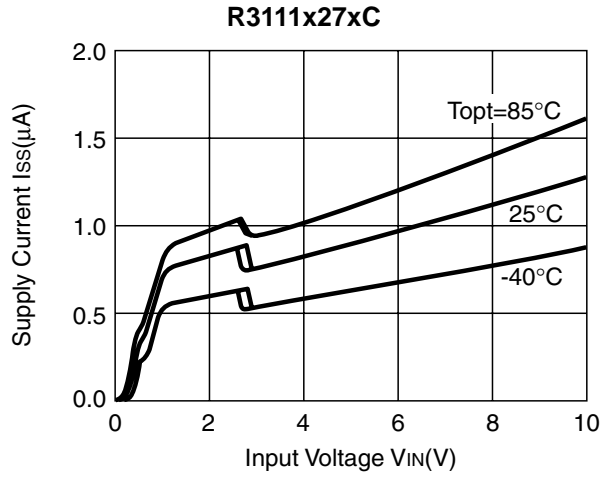
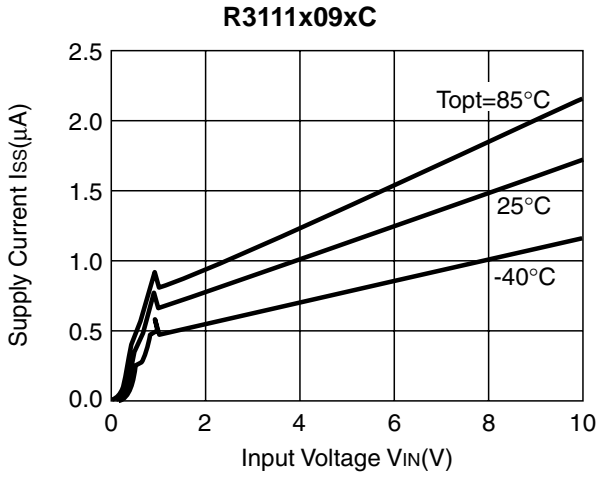
**Output Delay Time Test Circuit (1)**  
(Pull-up circuit is not necessary for CMOS Output type.)



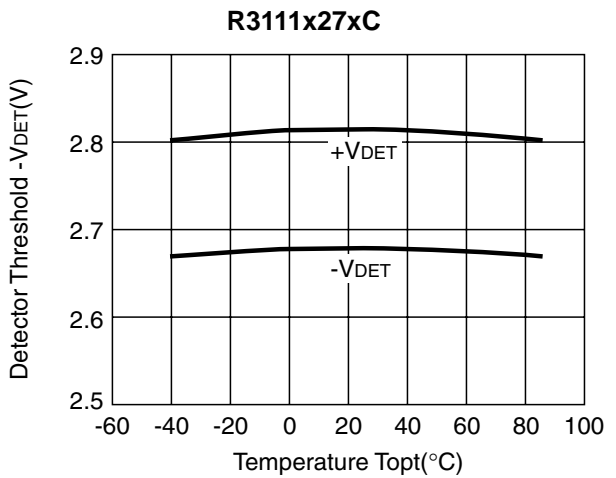
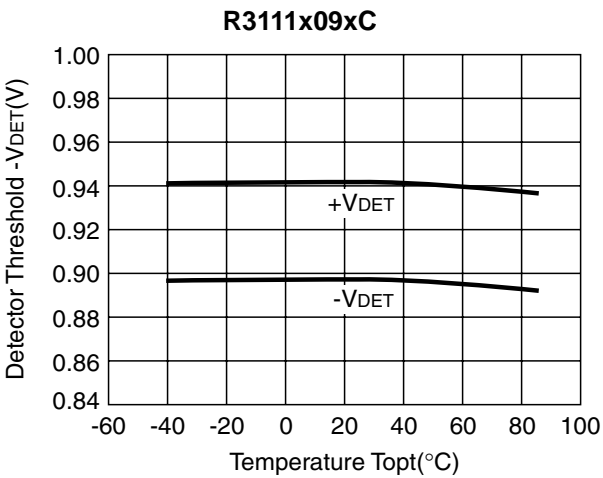
**Output Delay Time Test Circuit (2)**

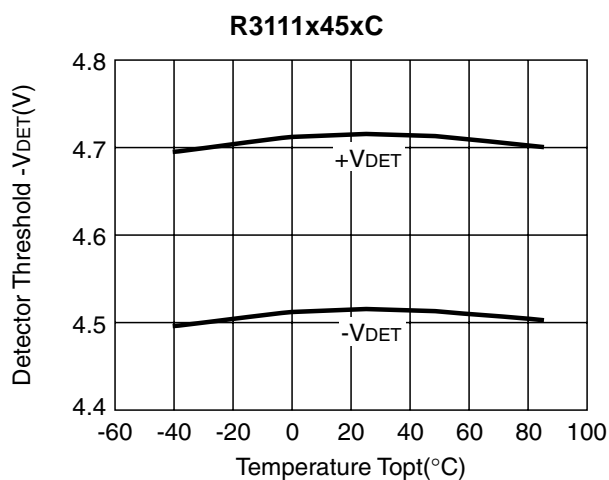
## TYPICAL CHARACTERISTICS

### 1) Supply Current vs. Input Voltage

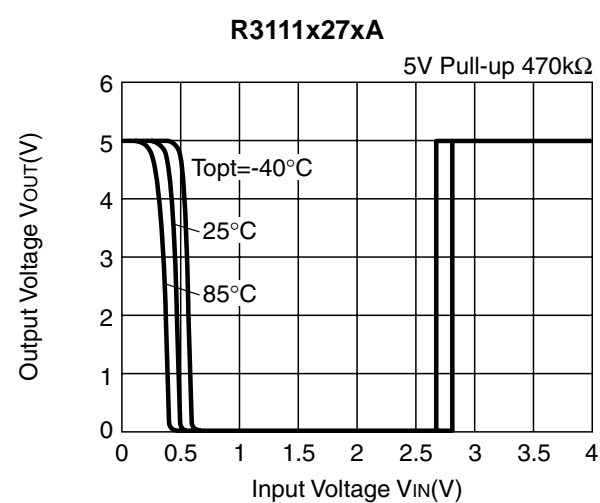
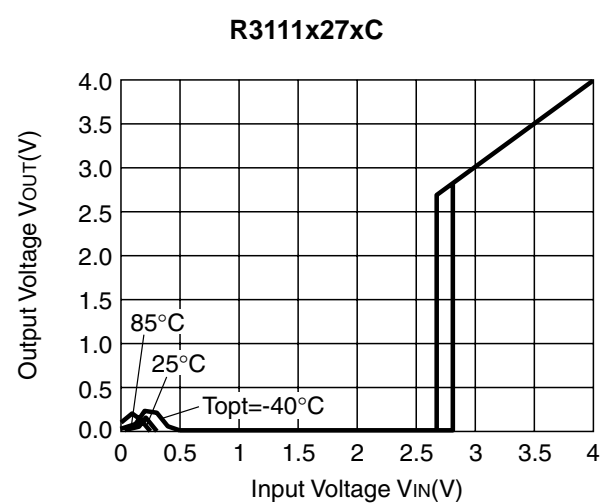
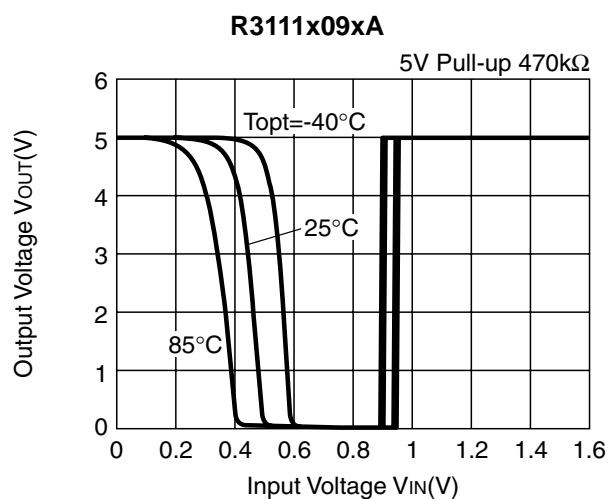
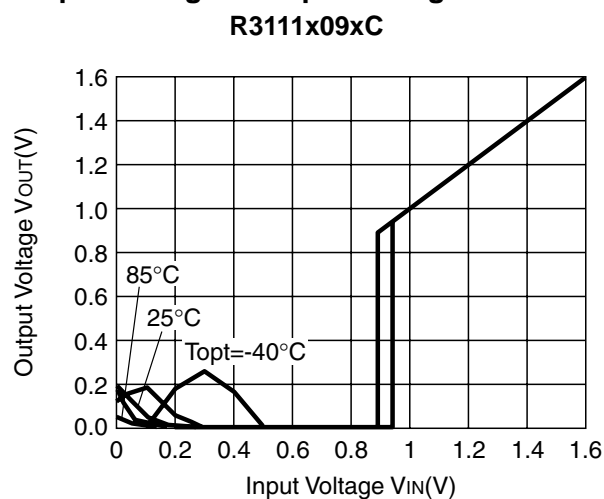


### 2) Detector Threshold Hysteresis vs. Temperature

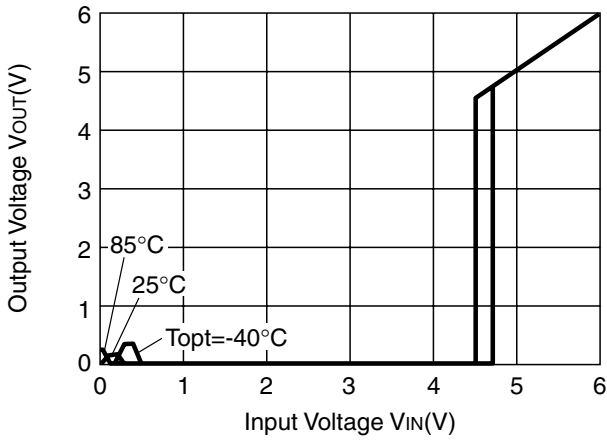




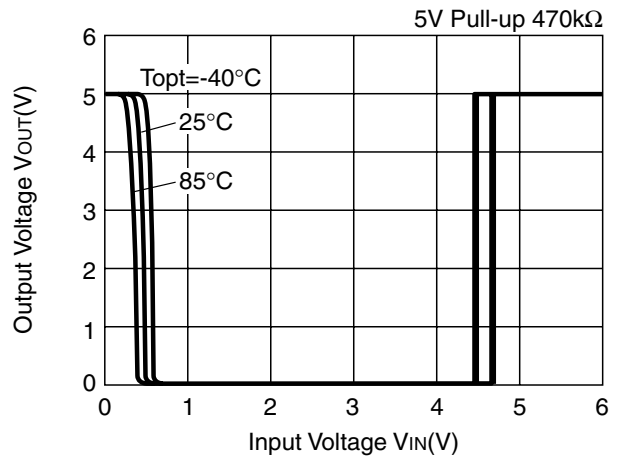
### 3) Output Voltage vs. Input Voltage



R3111x45xC

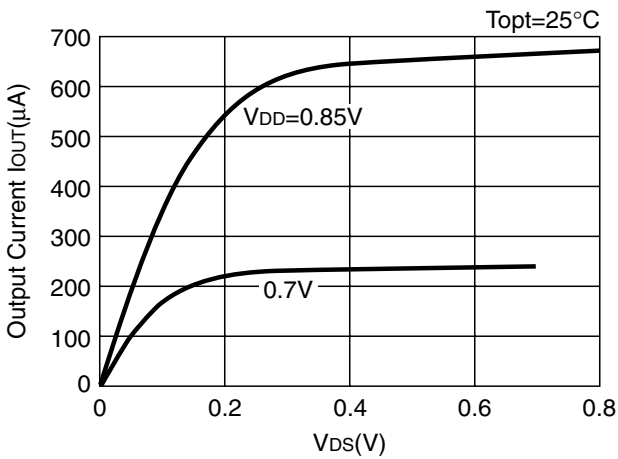


R3111x45xA

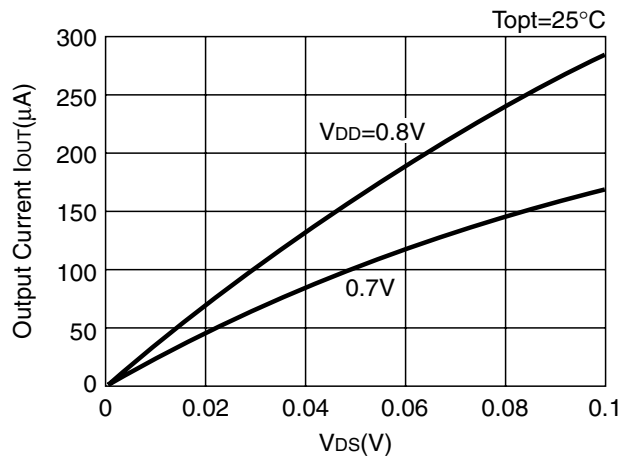


4) Nch Driver Output Current vs.  $V_{DS}$

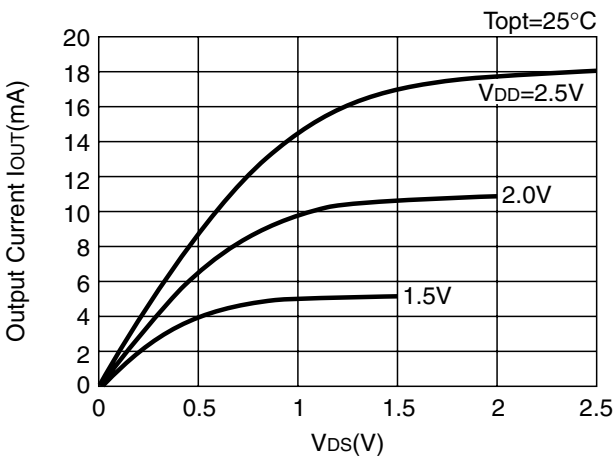
R3111x09xC



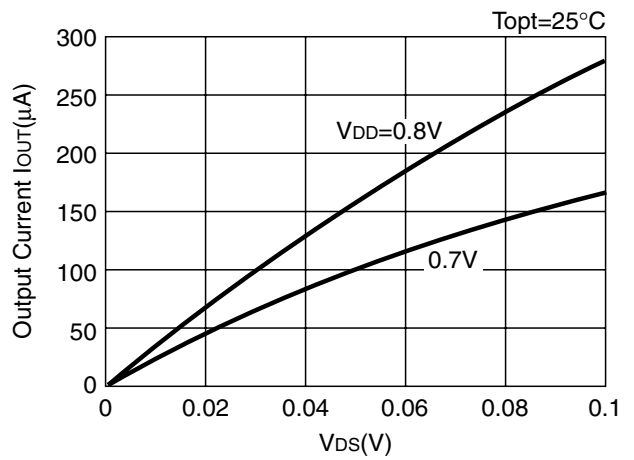
R3111x09xA

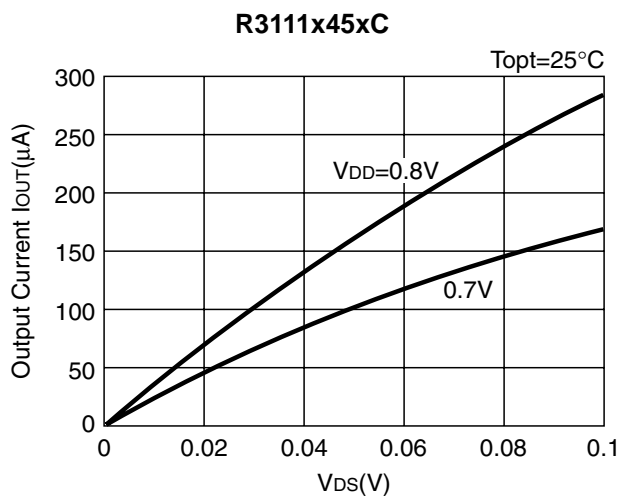
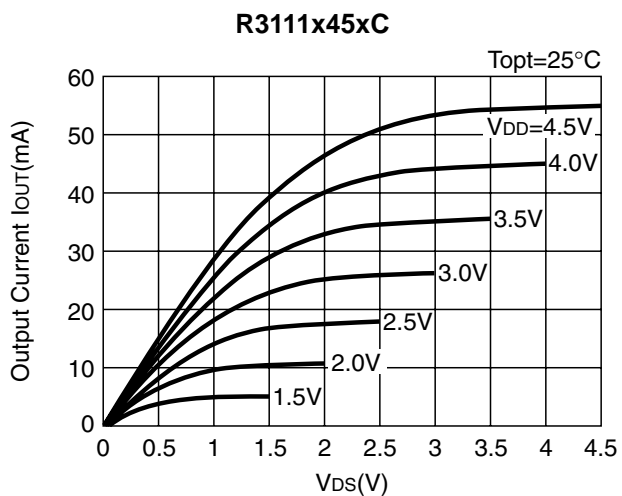


R3111x27xC

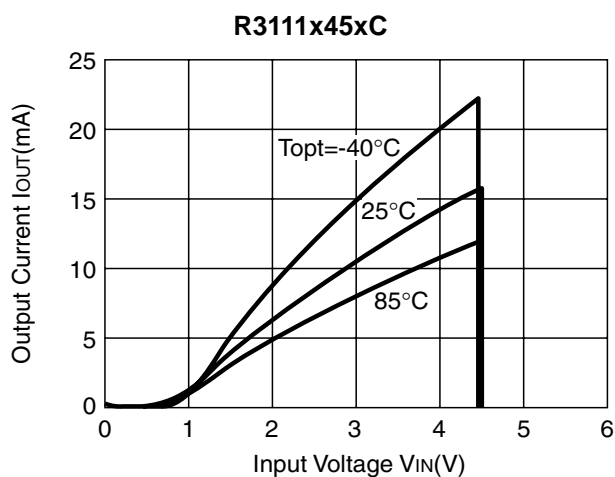
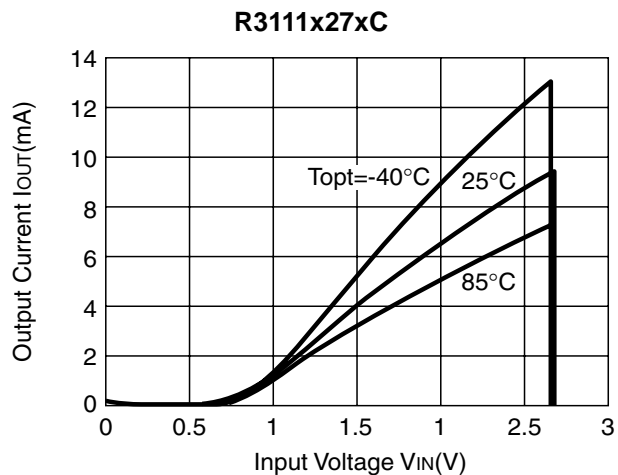
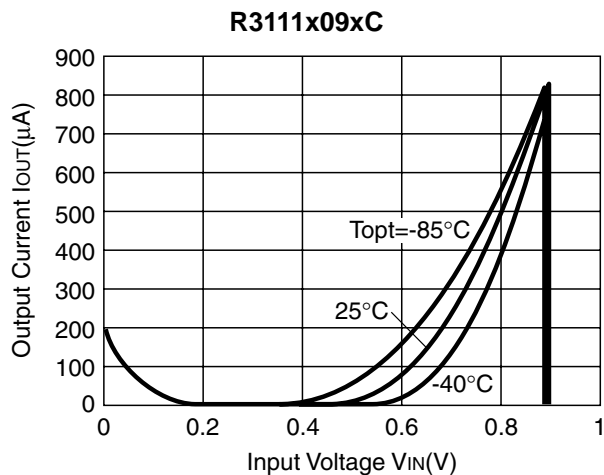


R3111x27xA



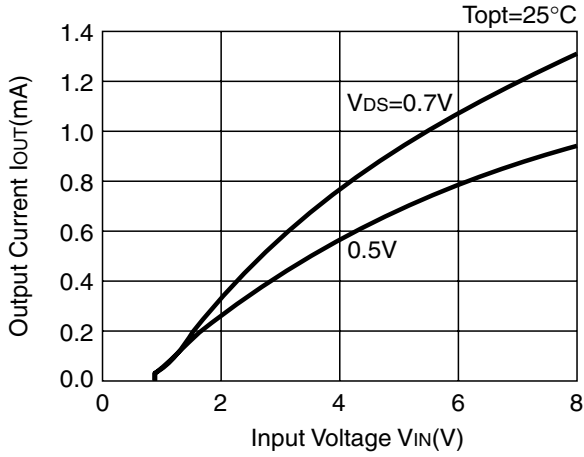


5) Nch Driver Output Current vs. Input Voltage

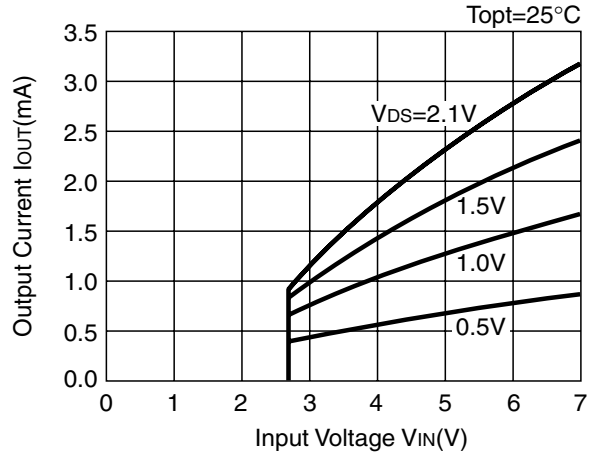


6) Pch Driver Output Current vs. Input Voltage

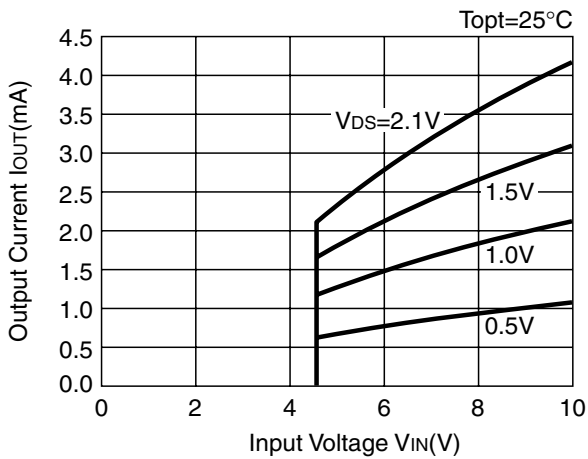
R3111x09xC



R3111x27xC

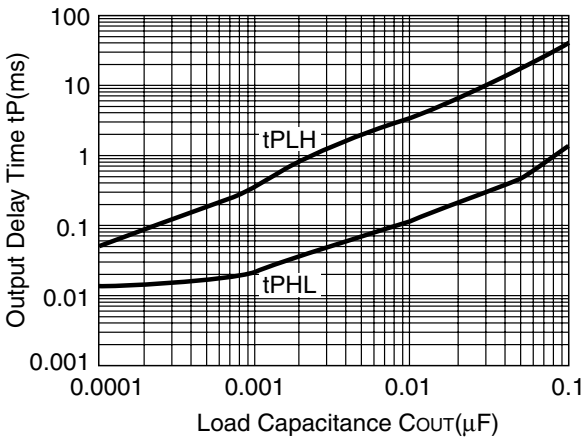


R3111x45xC

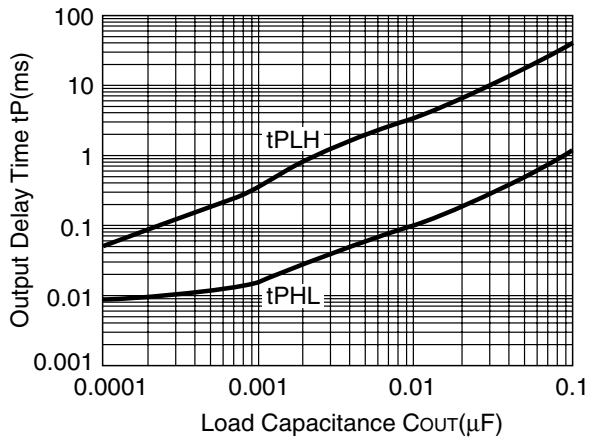


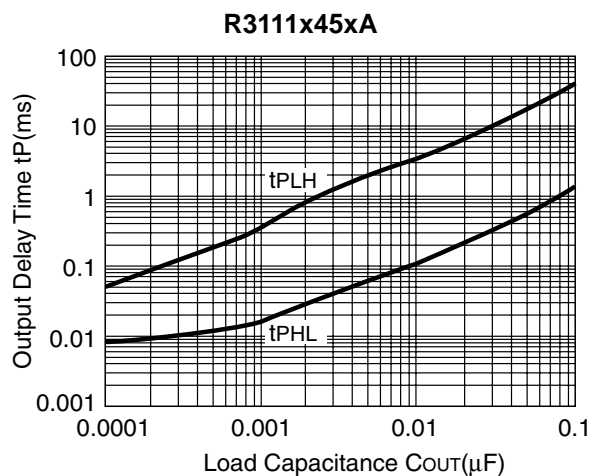
7) Output Delay Time vs. Load Capacitance (Topt=25°C)

R3111x09xA

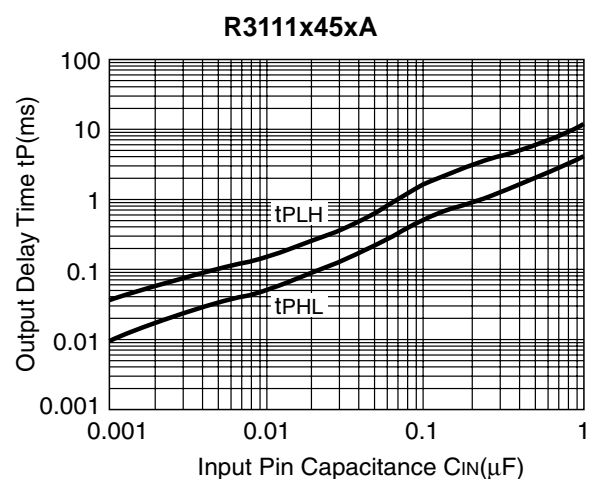
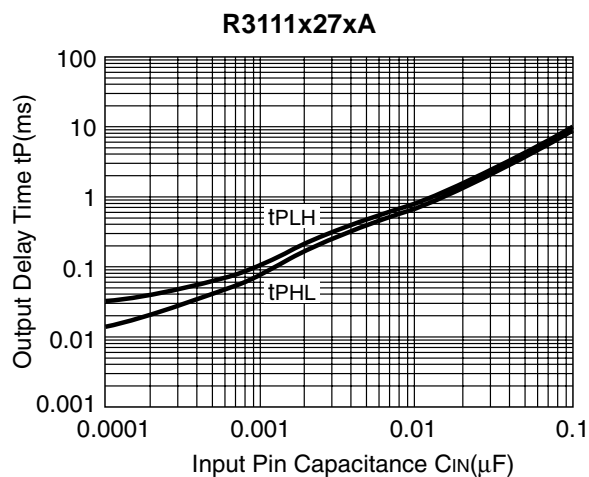
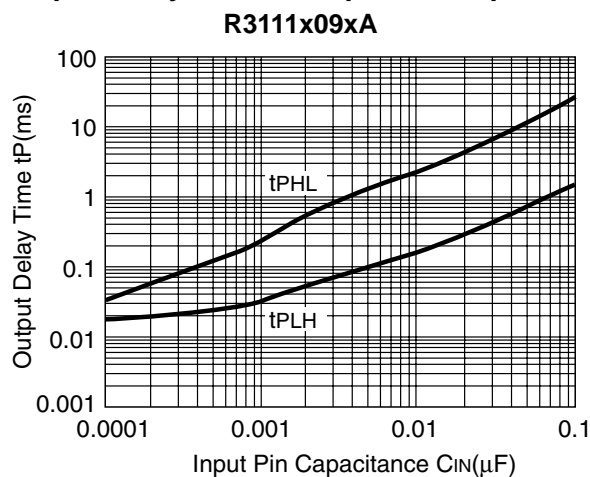


R3111x27xA





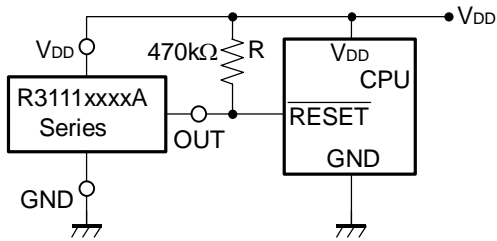
**8) Output Delay Time vs. Input Pin Capacitance**



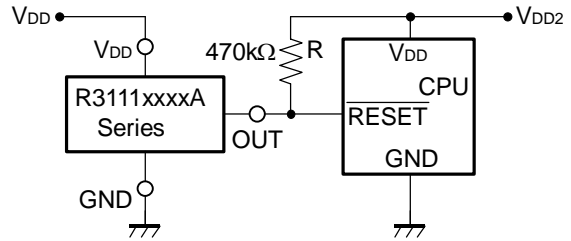
## TYPICAL APPLICATION

### • R3111xxxxA CPU Reset Circuit (Nch Open Drain Output)

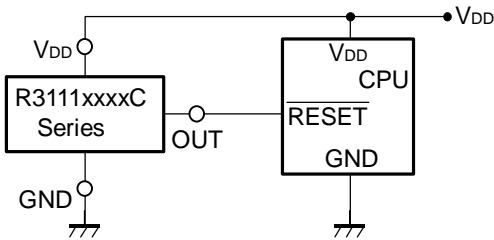
Case 1. Input Voltage to R3111xxxxA is equal to Input Voltage to CPU



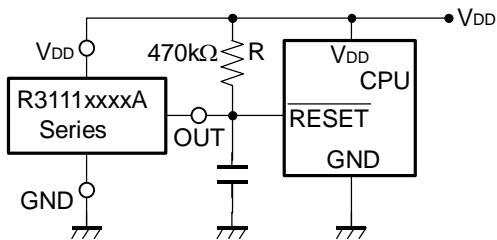
Case 2. Input Voltage to R3111xxxxA is unequal to Input Voltage to CPU



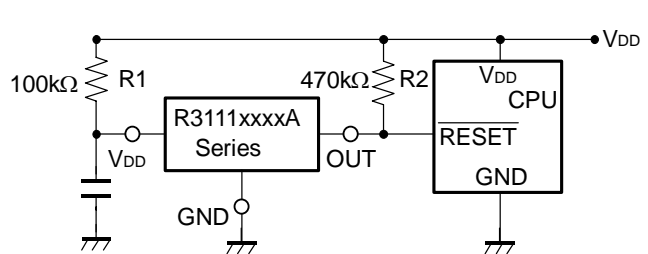
### • R3111xxxxC CPU Reset Circuit (CMOS Output)



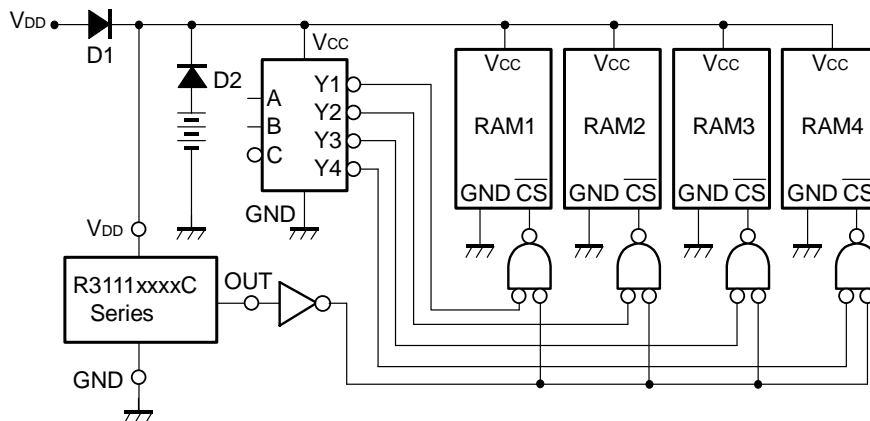
### • R3111xxxxA Output Delay Time Circuit 1 (Nch Open Drain Output)



### • R3111xxxxA Output Delay Time Circuit 2 (Nch Open Drain Output)

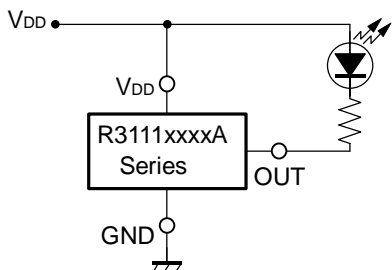


### • Memory Back-up Circuit

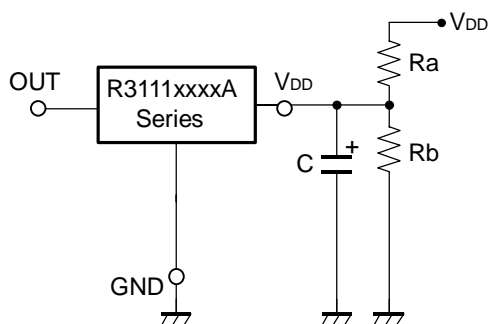




- **Voltage level Indicator Circuit (lighted when the power runs out)**  
(Nch Open Drain Output)



- **Detector Threshold Adjustable Circuit**  
(Nch Open Drain Output)

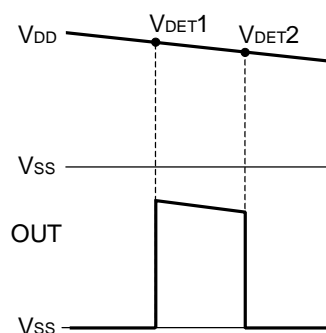
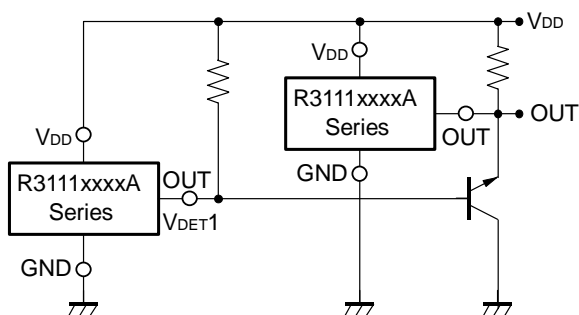


Adjusted Detector Threshold  
 $= (-V_{DET}) \times (Ra + Rb) / Rb$

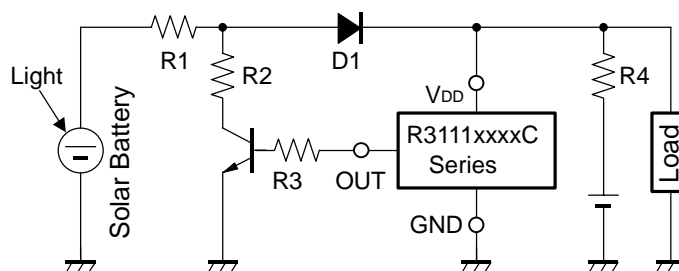
Hysteresis Voltage  
 $= (V_{HYS}) \times (Ra + Rb) / Rb$

\*) If the value of Ra is set excessively large, voltage drop may occur caused by the supply current of IC itself, and detector threshold may vary.

- **Window Comparator Circuit**  
(Nch Open Drain Output)



- **Over-charge Preventing Circuit**

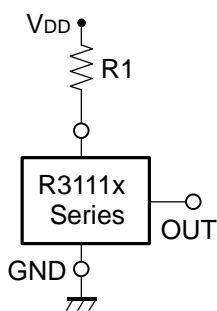


## TECHNICAL NOTES

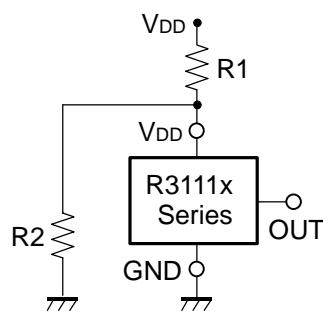
When R3111xxxxA/B (Nch Open Drain Output Type) is used in Figure A or Figure B, if impedance of Voltage Supply pin,  $V_{DD}$  and  $V_{DD}$  of this IC is large, detector threshold level would shift by voltage dropdown caused by the consumption current of the IC itself. Released voltage may also shift and delay time for start-up might be generated by this usage.

When R3111xxxxC (CMOS Output Type) is used in Figure A or Figure B, Output level could be unstable by cross conduction current which is generated at detector threshold level or at released voltage level, therefore, do not use this IC with the connection in Figure A or Figure B.

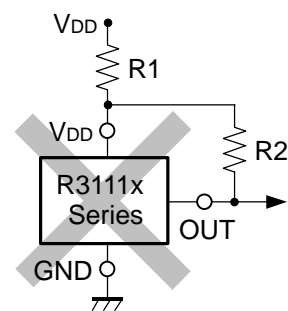
The connection in Figure C may cause the oscillation in both R3111xxxxC (CMOS Output) and R3111xxxxA/B (Nch Open Drain Output), therefore do not use R3111x Series with the connection in Figure C.



**Figure A**



**Figure B**

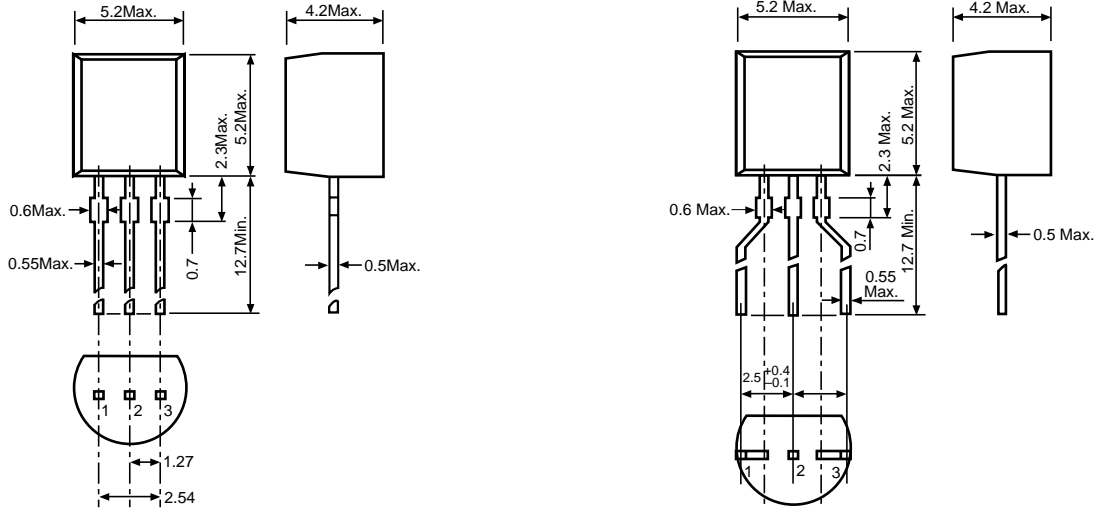


**Figure C**

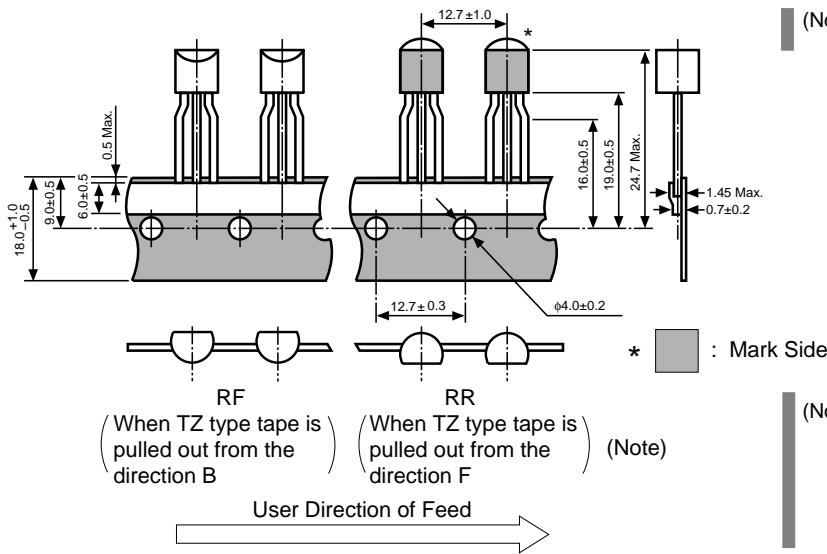
• TO-92 (SC-43A)

Unit: mm

PACKAGE DIMENSIONS



TAPING SPECIFICATION

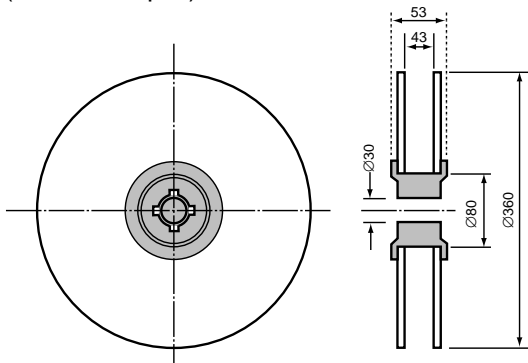


(Note) When taping is performed, the pins of TO-92 are subjected to a particular forming.

(Note) TZ type tape is not in the form of a reel, but is packed in a zigzag state in box. Therefore, the tape can be used as either an RF type tape or an RR type tape, depending upon the pulling out direction (B or F).

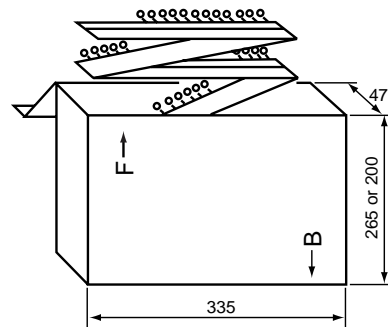
TAPING REEL DIMENSIONS (RF, RR)

(1reel=2000pcs)



PACKING BOX DIMENSIONS (TZ)

(1box=2500pcs)

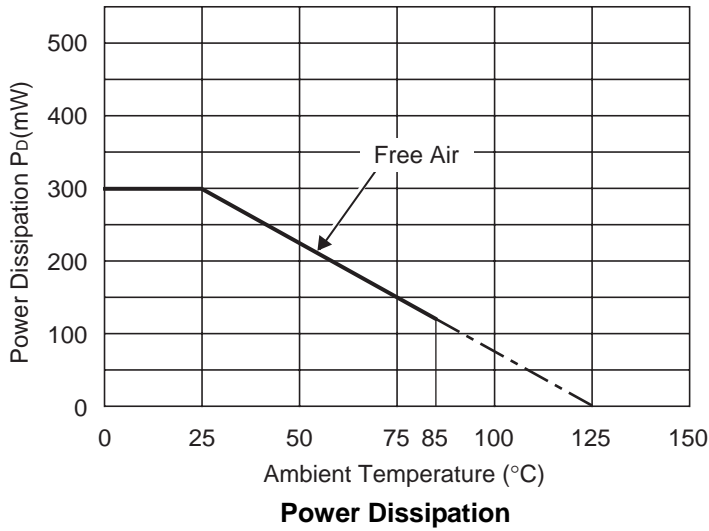


## POWER DISSIPATION (TO-92)

This specification is at mounted on board.

Measurement Result (T<sub>opt</sub>=25°C, T<sub>jmax</sub>=125°C)

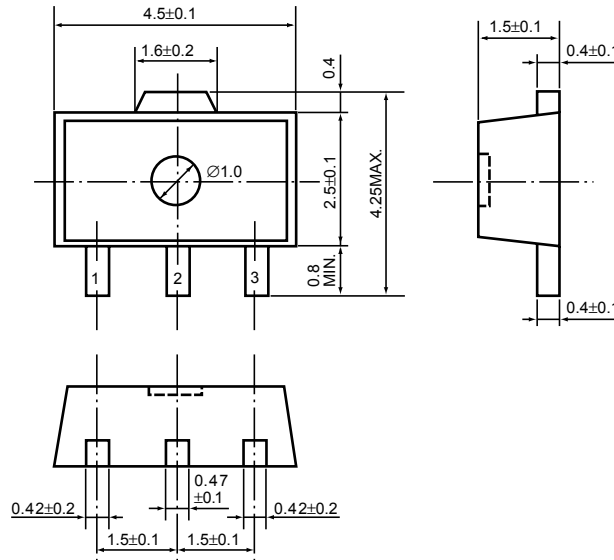
	Free Air
Power Dissipation	300mW
Thermal Resistance	$\theta_{ja}=(125-25^{\circ}\text{C})/0.3\text{W}=333^{\circ}\text{C/W}$



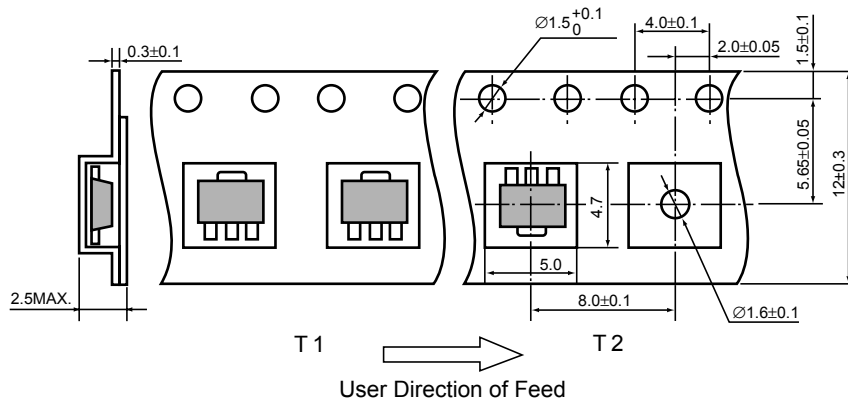
- SOT-89 (SC-62)

Unit: mm

**PACKAGE DIMENSIONS**

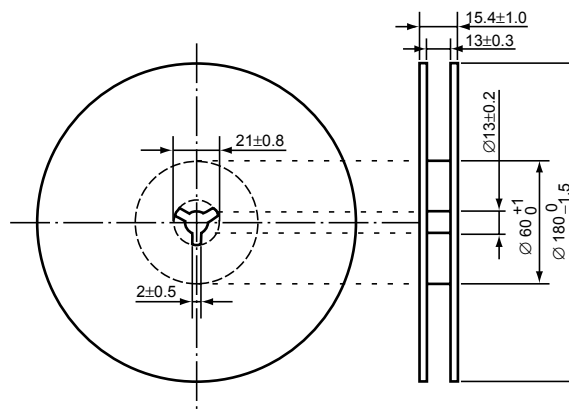


**TAPING SPECIFICATION (T1: Standard Type)**



**TAPING REEL DIMENSIONS**

(1reel=1000pcs)



### POWER DISSIPATION (SOT-89)

This specification is at mounted on board. Power Dissipation ( $P_D$ ) depends on conditions of mounting on board. This specification is based on the measurement at the condition below:

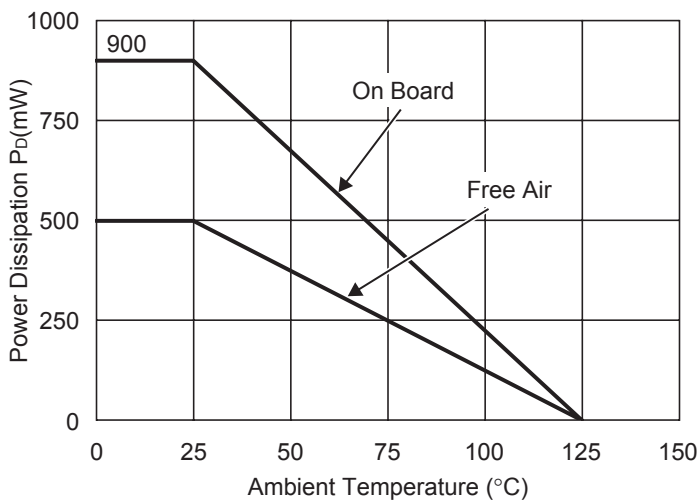
Measurement Conditions

	Standard Land Pattern
Environment	Mounting on Board (Wind velocity=0m/s)
Board Material	Glass cloth epoxy plactic (Double sided)
Board Dimensions	50mm × 50mm × 1.6mm
Copper Ratio	Top side : Approx. 10% , Back side : Approx. 100%
Through-hole	-

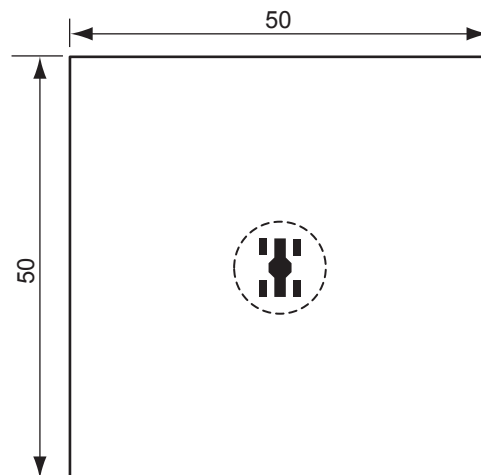
Measurement Result

	Standard Land Pattern	Free Air
Power Dissipation	900mW	500mW
Thermal Resistance	$\theta_{ja}=(125-25^{\circ}\text{C})/0.9\text{W}=111^{\circ}\text{C/W}$	200°C/W

(T<sub>opt</sub>=25°C, T<sub>jmax</sub>=125°C)



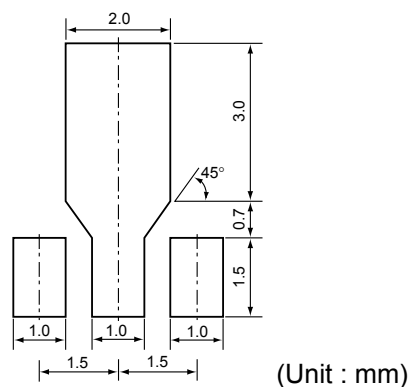
Power Dissipation



Measurement Board Pattern

○ IC Mount Area (Unit : mm)

### RECOMMENDED LAND PATTERN (SOT-89)





### POWER DISSIPATION (SOT-23-5)

This specification is at mounted on board. Power Dissipation ( $P_D$ ) depends on conditions of mounting on board.

This specification is based on the measurement at the condition below:

(Power Dissipation (SOT-23-5) is substitution of SOT-23-6.)

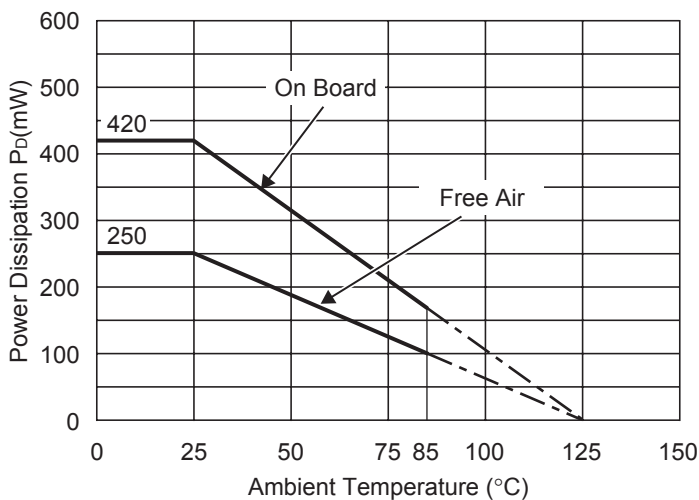
Measurement Conditions

	Standard Land Pattern
Environment	Mounting on Board (Wind velocity=0m/s)
Board Material	Glass cloth epoxy plactic (Double sided)
Board Dimensions	40mm × 40mm × 1.6mm
Copper Ratio	Top side : Approx. 50% , Back side : Approx. 50%
Through-hole	φ0.5mm × 44pcs

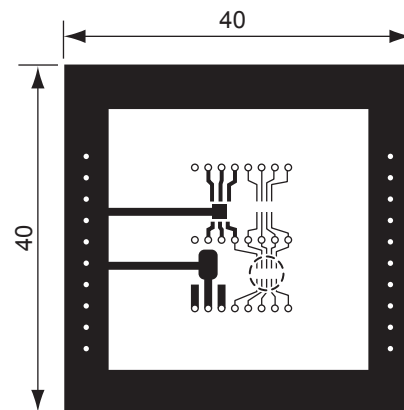
Measurement Result

( $T_{opt}=25^{\circ}C, T_{jmax}=125^{\circ}C$ )

	Standard Land Pattern	Free Air
Power Dissipation	420mW	250mW
Thermal Resistance	$\theta_{ja}=(125-25^{\circ}C)/0.42W=263^{\circ}C/W$	400 $^{\circ}C/W$



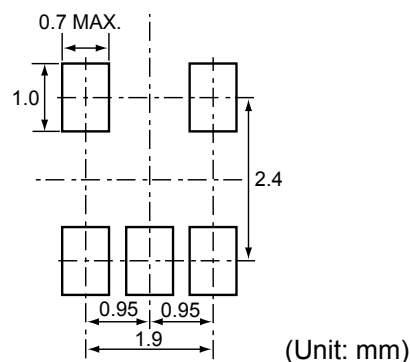
Power Dissipation



Measurement Board Pattern

○ IC Mount Area Unit : mm

### RECOMMENDED LAND PATTERN

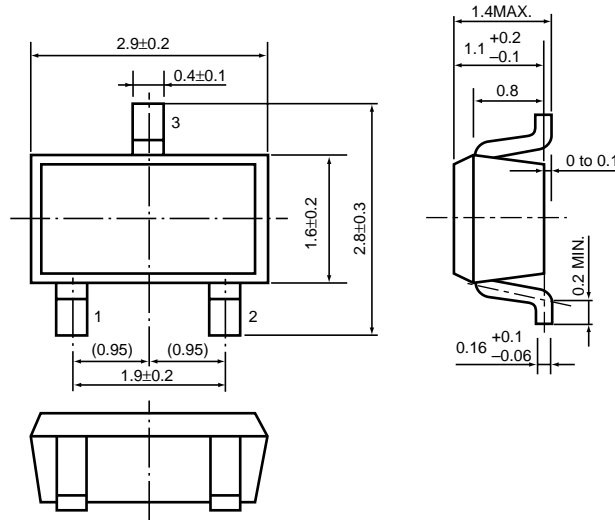




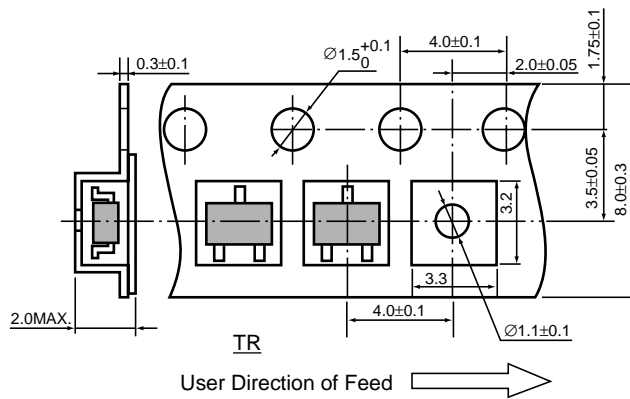
- SOT-23-3 (SC-59A)

Unit: mm

**PACKAGE DIMENSIONS**

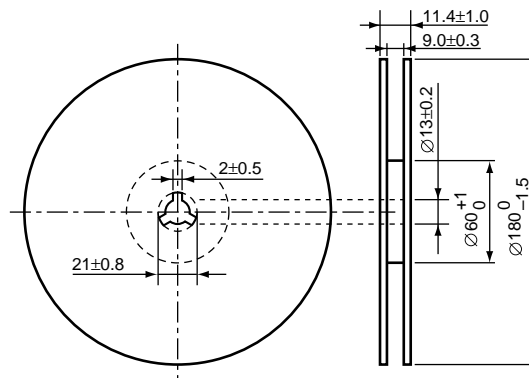


**TAPING SPECIFICATION (T1: Standard Type)**



**TAPING REEL DIMENSIONS**

(1reel=3000pcs)



### POWER DISSIPATION (SOT-23-3)

This specification is at mounted on board. Power Dissipation ( $P_D$ ) depends on conditions of mounting on board. This specification is based on the measurement at the condition below:

(Power Dissipation (SOT-23-3) is substitution of SOT-23-6.)

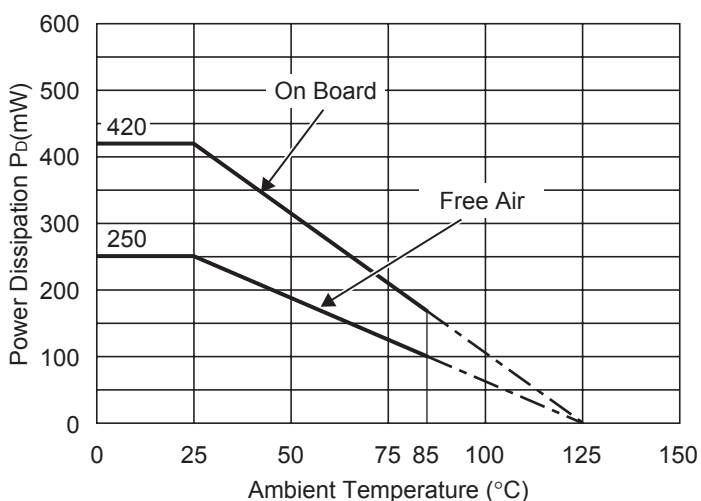
Measurement Conditions

	Standard Land Pattern
Environment	Mounting on Board (Wind velocity=0m/s)
Board Material	Glass cloth epoxy plactic (Double sided)
Board Dimensions	40mm × 40mm × 1.6mm
Copper Ratio	Top side : Approx. 50% , Back side : Approx. 50%
Through-hole	φ0.5mm × 44pcs

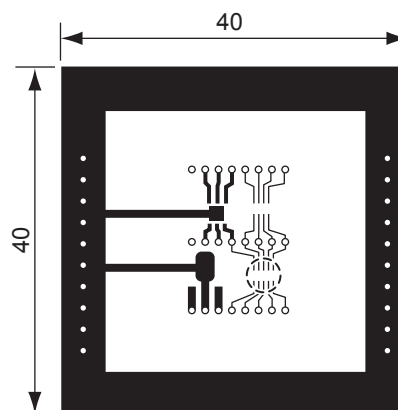
Measurement Result

( $T_{opt}=25^{\circ}C, T_{jmax}=125^{\circ}C$ )

	Standard Land Pattern	Free Air
Power Dissipation	420mW	250mW
Thermal Resistance	$\theta_{ja}=(125-25^{\circ}C)/0.42W=263^{\circ}C/W$	400 $^{\circ}C/W$



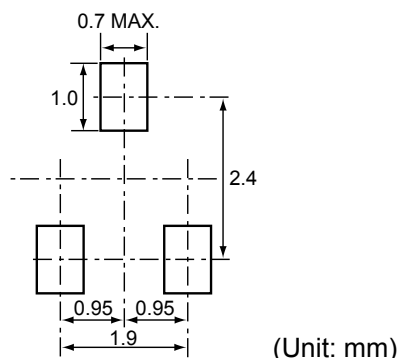
Power Dissipation



Measurement Board Pattern

○ IC Mount Area Unit : mm

### RECOMMENDED LAND PATTERN (SOT-23-3)





## POWER DISSIPATION (SC-82AB)

This specification is at mounted on board. Power Dissipation ( $P_D$ ) depends on conditions of mounting on board. This specification is based on the measurement at the condition below:

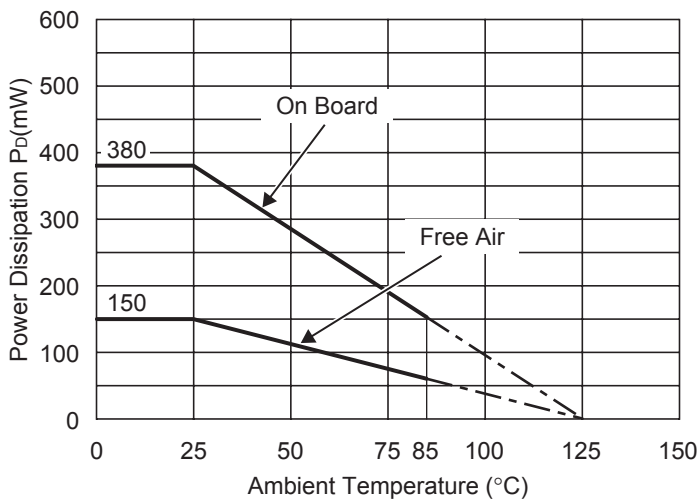
### Measurement Conditions

	Standard Land Pattern
Environment	Mounting on Board (Wind velocity=0m/s)
Board Material	Glass cloth epoxy plactic (Double sided)
Board Dimensions	40mm × 40mm × 1.6mm
Copper Ratio	Top side : Approx. 50% , Back side : Approx. 50%
Through-hole	φ0.5mm × 44pcs

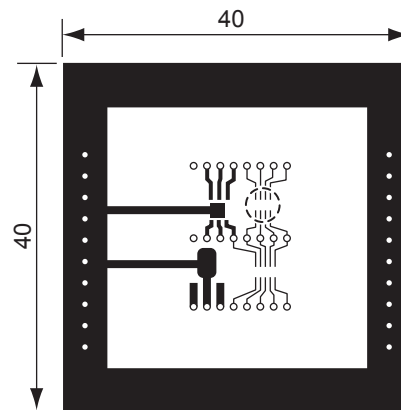
### Measurement Result

( $T_{opt}=25^{\circ}\text{C}$ ,  $T_{jmax}=125^{\circ}\text{C}$ )

	Standard Land Pattern	Free Air
Power Dissipation	380mW	150mW
Thermal Resistance	$\theta_{ja}=(125-25^{\circ}\text{C})/0.38\text{W}=263^{\circ}\text{C/W}$	667 $^{\circ}\text{C/W}$



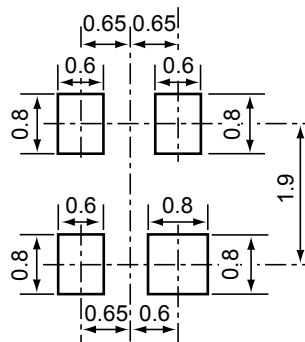
Power Dissipation



Measurement Board Pattern

○ IC Mount Area (Unit : mm)

## RECOMMENDED LAND PATTERN



(Unit: mm)



### Power Dissipation (SON1612-6)

This specification is at mounted on board.

Power Dissipation ( $P_D$ ) depends on conditions of mounting on board. This specification is based on the measurement at the condition below:

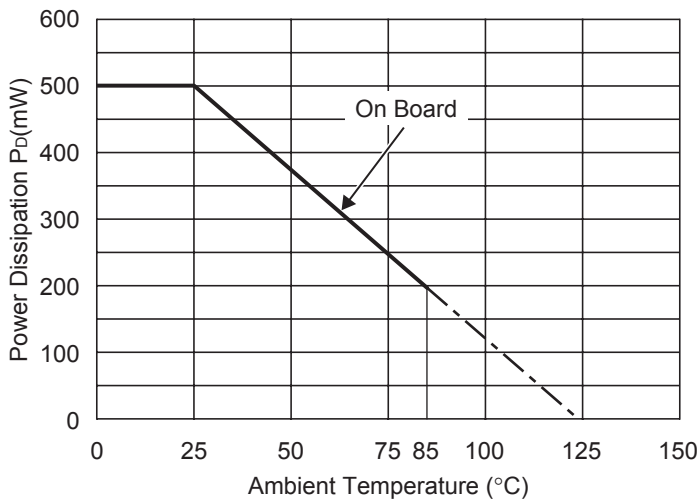
Measurement Conditions

	Standard Land Pattern
Environment	Mounting on Board (Wind velocity=0m/s)
Board Material	Glass cloth epoxy plastic (Double sided)
Board Dimensions	40mm × 40mm × 1.6mm
Copper Ratio	Top side : Approx. 50%, Back side : Approx.50%
Through-hole	φ0.5mm × 24pcs

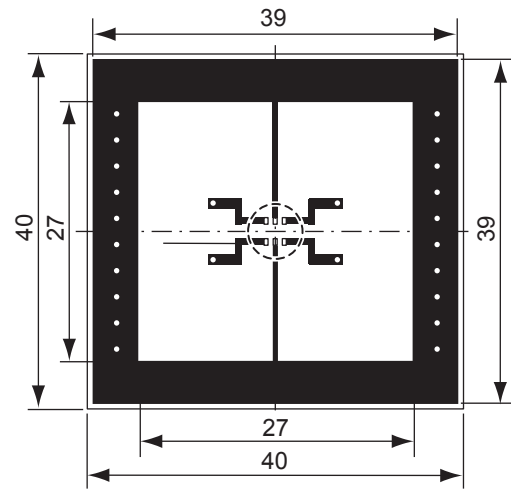
Measurement Result

( $T_{opt}=25^{\circ}C, T_{jmax}=125^{\circ}C$ )

	Standard Land Pattern
Power Dissipation	500mW
Thermal Resistance	$\theta_{ja}=(125-25^{\circ}C)/0.5W=200^{\circ}C/W$



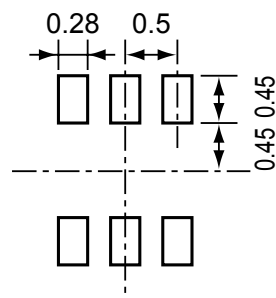
Power Dissipation



Measurement Board Pattern

○ IC Mount Area Unit : mm

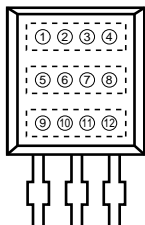
### RECOMMENDED LAND PATTERN



(Unit: mm)

## R3111E SERIES MARK SPECIFICATION

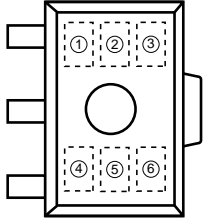
### • TO-92 (SC-43A)



- ① to ⑤ : Series Name: R3111 (fixed)
- ⑥, ⑦ : Detector Threshold: ex.  $-V_{DET}=3.0V \rightarrow 30$
- ⑧ : Output Type: Nch  $\rightarrow$  A, CMOS  $\rightarrow$  C
- ⑨ to ⑫ : Lot Number

R3111H SERIES MARK SPECIFICATION

• SOT-89 (SC-62)



① to ④ : Product Code (refer to Part Number vs. Product Code)  
 ⑤, ⑥ : Lot Number

• Part Number vs. Product Code

Part Number	Product Code			
	①	②	③	④
R3111H091A	A	0	9	A
R3111H101A	A	1	0	A
R3111H111A	A	1	1	A
R3111H121A	A	1	2	A
R3111H131A	A	1	3	A
R3111H141A	A	1	4	A
R3111H151A	A	1	5	A
R3111H161A	A	1	6	A
R3111H171A	A	1	7	A
R3111H181A	A	1	8	A
R3111H191A	A	1	9	A
R3111H201A	A	2	0	A
R3111H211A	A	2	1	A
R3111H221A	A	2	2	A
R3111H231A	A	2	3	A
R3111H241A	A	2	4	A
R3111H251A	A	2	5	A
R3111H261A	A	2	6	A
R3111H271A	A	2	7	A
R3111H281A	A	2	8	A
R3111H291A	A	2	9	A
R3111H301A	A	3	0	A
R3111H311A	A	3	1	A
R3111H321A	A	3	2	A
R3111H331A	A	3	3	A
R3111H341A	A	3	4	A

Part Number	Product Code			
	①	②	③	④
R3111H351A	A	3	5	A
R3111H361A	A	3	6	A
R3111H371A	A	3	7	A
R3111H381A	A	3	8	A
R3111H391A	A	3	9	A
R3111H401A	A	4	0	A
R3111H411A	A	4	1	A
R3111H421A	A	4	2	A
R3111H431A	A	4	3	A
R3111H441A	A	4	4	A
R3111H451A	A	4	5	A
R3111H461A	A	4	6	A
R3111H471A	A	4	7	A
R3111H481A	A	4	8	A
R3111H491A	A	4	9	A
R3111H501A	A	5	0	A
R3111H511A	A	5	1	A
R3111H521A	A	5	2	A
R3111H531A	A	5	3	A
R3111H541A	A	5	4	A
R3111H551A	A	5	5	A
R3111H561A	A	5	6	A
R3111H571A	A	5	7	A
R3111H581A	A	5	8	A
R3111H591A	A	5	9	A
R3111H601A	A	6	0	A

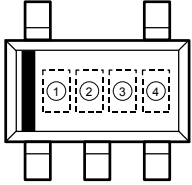
Part Number	Product Code			
	①	②	③	④
R3111H091C	A	0	9	C
R3111H101C	A	1	0	C
R3111H111C	A	1	1	C
R3111H121C	A	1	2	C
R3111H131C	A	1	3	C
R3111H141C	A	1	4	C
R3111H151C	A	1	5	C
R3111H161C	A	1	6	C
R3111H171C	A	1	7	C
R3111H181C	A	1	8	C
R3111H191C	A	1	9	C
R3111H201C	A	2	0	C
R3111H211C	A	2	1	C
R3111H221C	A	2	2	C
R3111H231C	A	2	3	C
R3111H241C	A	2	4	C
R3111H251C	A	2	5	C
R3111H261C	A	2	6	C
R3111H271C	A	2	7	C
R3111H281C	A	2	8	C
R3111H291C	A	2	9	C
R3111H301C	A	3	0	C
R3111H311C	A	3	1	C
R3111H321C	A	3	2	C
R3111H331C	A	3	3	C
R3111H341C	A	3	4	C

Part Number	Product Code			
	①	②	③	④
R3111H351C	A	3	5	C
R3111H361C	A	3	6	C
R3111H371C	A	3	7	C
R3111H381C	A	3	8	C
R3111H391C	A	3	9	C
R3111H401C	A	4	0	C
R3111H411C	A	4	1	C
R3111H421C	A	4	2	C
R3111H431C	A	4	3	C
R3111H441C	A	4	4	C
R3111H451C	A	4	5	C
R3111H461C	A	4	6	C
R3111H471C	A	4	7	C
R3111H481C	A	4	8	C
R3111H491C	A	4	9	C
R3111H501C	A	5	0	C
R3111H511C	A	5	1	C
R3111H521C	A	5	2	C
R3111H531C	A	5	3	C
R3111H541C	A	5	4	C
R3111H551C	A	5	5	C
R3111H561C	A	5	6	C
R3111H571C	A	5	7	C
R3111H581C	A	5	8	C
R3111H591C	A	5	9	C
R3111H601C	A	6	0	C



**R3111Nxx1 SERIES MARK SPECIFICATION**

● SOT-23-5 (SC-74A)



①, ② : Product Code (refer to Part Number vs. Product Code)

③, ④ : Lot Number

● Part Number vs. Product Code

Part Number	Product Code	
	①	②
R3111N091A	9	A
R3111N101A	0	B
R3111N111A	1	B
R3111N121A	2	B
R3111N131A	3	B
R3111N141A	4	B
R3111N151A	5	B
R3111N161A	6	B
R3111N171A	7	B
R3111N181A	8	B
R3111N191A	9	B
R3111N201A	0	C
R3111N211A	1	C
R3111N221A	2	C
R3111N231A	3	C
R3111N241A	4	C
R3111N251A	5	C
R3111N261A	6	C
R3111N271A	7	C
R3111N281A	8	C
R3111N291A	9	C
R3111N301A	0	D
R3111N311A	1	D
R3111N321A	2	D
R3111N331A	3	D
R3111N341A	4	D

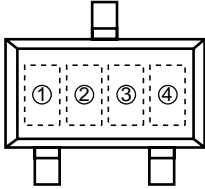
Part Number	Product Code	
	①	②
R3111N351A	5	D
R3111N361A	6	D
R3111N371A	7	D
R3111N381A	8	D
R3111N391A	9	D
R3111N401A	0	E
R3111N411A	1	E
R3111N421A	2	E
R3111N431A	3	E
R3111N441A	4	E
R3111N451A	5	E
R3111N461A	6	E
R3111N471A	7	E
R3111N481A	8	E
R3111N491A	9	E
R3111N501A	0	F
R3111N511A	1	F
R3111N521A	2	F
R3111N531A	3	F
R3111N541A	4	F
R3111N551A	5	F
R3111N561A	6	F
R3111N571A	7	F
R3111N581A	8	F
R3111N591A	9	F
R3111N601A	0	G

Part Number	Product Code	
	①	②
R3111N091C	9	H
R3111N101C	0	J
R3111N111C	1	J
R3111N121C	2	J
R3111N131C	3	J
R3111N141C	4	J
R3111N151C	5	J
R3111N161C	6	J
R3111N171C	7	J
R3111N181C	8	J
R3111N191C	9	J
R3111N201C	0	K
R3111N211C	1	K
R3111N221C	2	K
R3111N231C	3	K
R3111N241C	4	K
R3111N251C	5	K
R3111N261C	6	K
R3111N271C	7	K
R3111N281C	8	K
R3111N291C	9	K
R3111N301C	0	L
R3111N311C	1	L
R3111N321C	2	L
R3111N331C	3	L
R3111N341C	4	L

Part Number	Product Code	
	①	②
R3111N351C	5	L
R3111N361C	6	L
R3111N371C	7	L
R3111N381C	8	L
R3111N391C	9	L
R3111N401C	0	M
R3111N411C	1	M
R3111N421C	2	M
R3111N431C	3	M
R3111N441C	4	M
R3111N451C	5	M
R3111N461C	6	M
R3111N471C	7	M
R3111N481C	8	M
R3111N491C	9	M
R3111N501C	0	N
R3111N511C	1	N
R3111N521C	2	N
R3111N531C	3	N
R3111N541C	4	N
R3111N551C	5	N
R3111N561C	6	N
R3111N571C	7	N
R3111N581C	8	N
R3111N591C	9	N
R3111N601C	0	P

**R3111Nxx2x SERIES MARK SPECIFICATION**

● SOT-23-3 (SC-59A)



①, ② : Product Code (refer to Part Number vs. Product Code)

③, ④ : Lot Number

● Part Number vs. Product Code

Part Number	Product Code	
	①	②
R3111N092A	A	9
R3111N102A	B	0
R3111N112A	B	1
R3111N122A	B	2
R3111N132A	B	3
R3111N142A	B	4
R3111N152A	B	5
R3111N162A	B	6
R3111N172A	B	7
R3111N182A	B	8
R3111N192A	B	9
R3111N202A	C	0
R3111N212A	C	1
R3111N222A	C	2
R3111N232A	C	3
R3111N242A	C	4
R3111N252A	C	5
R3111N262A	C	6
R3111N272A	C	7
R3111N282A	C	8
R3111N292A	C	9
R3111N302A	D	0
R3111N312A	D	1
R3111N322A	D	2
R3111N332A	D	3
R3111N342A	D	4

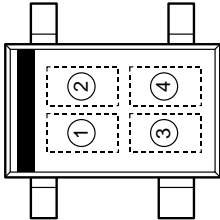
Part Number	Product Code	
	①	②
R3111N352A	D	5
R3111N362A	D	6
R3111N372A	D	7
R3111N382A	D	8
R3111N392A	D	9
R3111N402A	E	0
R3111N412A	E	1
R3111N422A	E	2
R3111N432A	E	3
R3111N442A	E	4
R3111N452A	E	5
R3111N462A	E	6
R3111N472A	E	7
R3111N482A	E	8
R3111N492A	E	9
R3111N502A	F	0
R3111N512A	F	1
R3111N522A	F	2
R3111N532A	F	3
R3111N542A	F	4
R3111N552A	F	5
R3111N562A	F	6
R3111N572A	F	7
R3111N582A	F	8
R3111N592A	F	9
R3111N602A	G	0

Part Number	Product Code	
	①	②
R3111N092C	H	9
R3111N102C	J	0
R3111N112C	J	1
R3111N122C	J	2
R3111N132C	J	3
R3111N142C	J	4
R3111N152C	J	5
R3111N162C	J	6
R3111N172C	J	7
R3111N182C	J	8
R3111N192C	J	9
R3111N202C	K	0
R3111N212C	K	1
R3111N222C	K	2
R3111N232C	K	3
R3111N242C	K	4
R3111N252C	K	5
R3111N262C	K	6
R3111N272C	K	7
R3111N282C	K	8
R3111N292C	K	9
R3111N302C	L	0
R3111N312C	L	1
R3111N322C	L	2
R3111N332C	L	3
R3111N342C	L	4

Part Number	Product Code	
	①	②
R3111N352C	L	5
R3111N362C	L	6
R3111N372C	L	7
R3111N382C	L	8
R3111N392C	L	9
R3111N402C	M	0
R3111N412C	M	1
R3111N422C	M	2
R3111N432C	M	3
R3111N442C	M	4
R3111N452C	M	5
R3111N462C	M	6
R3111N472C	M	7
R3111N482C	M	8
R3111N492C	M	9
R3111N502C	N	0
R3111N512C	N	1
R3111N522C	N	2
R3111N532C	N	3
R3111N542C	N	4
R3111N552C	N	5
R3111N562C	N	6
R3111N572C	N	7
R3111N582C	N	8
R3111N592C	N	9
R3111N602C	P	0

## R3111Q SERIES MARK SPECIFICATION

### ● SC-82AB



①, ② : Product Code (refer to Part Number vs. Product Code)

③, ④ : Lot Number

### ● Part Number vs. Product Code

Part Number	Product Code	
	①	②
R3111Q091A	K	9
R3111Q101A	L	0
R3111Q111A	L	1
R3111Q121A	L	2
R3111Q131A	L	3
R3111Q141A	L	4
R3111Q151A	L	5
R3111Q161A	L	6
R3111Q171A	L	7
R3111Q181A	L	8
R3111Q191A	L	9
R3111Q201A	M	0
R3111Q211A	M	1
R3111Q221A	M	2
R3111Q231A	M	3
R3111Q241A	M	4
R3111Q251A	M	5
R3111Q261A	M	6
R3111Q271A	M	7
R3111Q281A	M	8
R3111Q291A	M	9
R3111Q301A	N	0
R3111Q311A	N	1
R3111Q321A	N	2
R3111Q331A	N	3
R3111Q341A	N	4
R3111Q351A	N	5
R3111Q361A	N	6
R3111Q371A	N	7
R3111Q381A	N	8
R3111Q391A	N	9
R3111Q401A	P	0
R3111Q411A	P	1
R3111Q421A	P	2
R3111Q431A	P	3
R3111Q441A	P	4
R3111Q451A	P	5
R3111Q461A	P	6
R3111Q471A	P	7

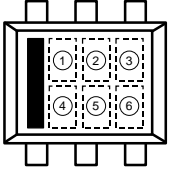
Part Number	Product Code	
	①	②
R3111Q481A	P	8
R3111Q491A	P	9
R3111Q501A	R	0
R3111Q511A	R	1
R3111Q521A	R	2
R3111Q531A	R	3
R3111Q541A	R	4
R3111Q551A	R	5
R3111Q561A	R	6
R3111Q571A	R	7
R3111Q581A	R	8
R3111Q591A	R	9
R3111Q601A	S	0
R3111Q091B	0	9
R3111Q101B	1	0
R3111Q111B	1	1
R3111Q121B	1	2
R3111Q131B	1	3
R3111Q141B	1	4
R3111Q151B	1	5
R3111Q161B	1	6
R3111Q171B	1	7
R3111Q181B	1	8
R3111Q191B	1	9
R3111Q201B	2	0
R3111Q211B	2	1
R3111Q221B	2	2
R3111Q231B	2	3
R3111Q241B	2	4
R3111Q251B	2	5
R3111Q261B	2	6
R3111Q271B	2	7
R3111Q281B	2	8
R3111Q291B	2	9
R3111Q301B	3	0
R3111Q311B	3	1
R3111Q321B	3	2
R3111Q331B	3	3
R3111Q341B	3	4

Part Number	Product Code	
	①	②
R3111Q351B	3	5
R3111Q361B	3	6
R3111Q371B	3	7
R3111Q381B	3	8
R3111Q391B	3	9
R3111Q401B	4	0
R3111Q411B	4	1
R3111Q421B	4	2
R3111Q431B	4	3
R3111Q441B	4	4
R3111Q451B	4	5
R3111Q461B	4	6
R3111Q471B	4	7
R3111Q481B	4	8
R3111Q491B	4	9
R3111Q501B	5	0
R3111Q511B	5	1
R3111Q521B	5	2
R3111Q531B	5	3
R3111Q541B	5	4
R3111Q551B	5	5
R3111Q561B	5	6
R3111Q571B	5	7
R3111Q581B	5	8
R3111Q591B	5	9
R3111Q601B	6	0
R3111Q091C	T	9
R3111Q101C	U	0
R3111Q111C	U	1
R3111Q121C	U	2
R3111Q131C	U	3
R3111Q141C	U	4
R3111Q151C	U	5
R3111Q161C	U	6
R3111Q171C	U	7
R3111Q181C	U	8
R3111Q191C	U	9
R3111Q201C	V	0
R3111Q211C	V	1

Part Number	Product Code	
	①	②
R3111Q221C	V	2
R3111Q231C	V	3
R3111Q241C	V	4
R3111Q251C	V	5
R3111Q261C	V	6
R3111Q271C	V	7
R3111Q281C	V	8
R3111Q291C	V	9
R3111Q301C	W	0
R3111Q311C	W	1
R3111Q321C	W	2
R3111Q331C	W	3
R3111Q341C	W	4
R3111Q351C	W	5
R3111Q361C	W	6
R3111Q371C	W	7
R3111Q381C	W	8
R3111Q391C	W	9
R3111Q401C	X	0
R3111Q411C	X	1
R3111Q421C	X	2
R3111Q431C	X	3
R3111Q441C	X	4
R3111Q451C	X	5
R3111Q461C	X	6
R3111Q471C	X	7
R3111Q481C	X	8
R3111Q491C	X	9
R3111Q501C	Y	0
R3111Q511C	Y	1
R3111Q521C	Y	2
R3111Q531C	Y	3
R3111Q541C	Y	4
R3111Q551C	Y	5
R3111Q561C	Y	6
R3111Q571C	Y	7
R3111Q581C	Y	8
R3111Q591C	Y	9
R3111Q601C	Z	0

R3111D SERIES MARK SPECIFICATION

● SON1612-6



① to ④ : Product Code (refer to Part Number vs. Product Code)

⑤, ⑥ : Lot Number

● Part Number vs. Product Code

Part Number	Product Code			
	①	②	③	④
R3111D091A	A	0	9	A
R3111D101A	A	1	0	A
R3111D111A	A	1	1	A
R3111D121A	A	1	2	A
R3111D131A	A	1	3	A
R3111D141A	A	1	4	A
R3111D151A	A	1	5	A
R3111D161A	A	1	6	A
R3111D171A	A	1	7	A
R3111D181A	A	1	8	A
R3111D191A	A	1	9	A
R3111D201A	A	2	0	A
R3111D211A	A	2	1	A
R3111D221A	A	2	2	A
R3111D231A	A	2	3	A
R3111D241A	A	2	4	A
R3111D251A	A	2	5	A
R3111D261A	A	2	6	A
R3111D271A	A	2	7	A
R3111D281A	A	2	8	A
R3111D291A	A	2	9	A
R3111D301A	A	3	0	A
R3111D311A	A	3	1	A
R3111D321A	A	3	2	A
R3111D331A	A	3	3	A
R3111D341A	A	3	4	A
R3111D351A	A	3	5	A
R3111D361A	A	3	6	A
R3111D371A	A	3	7	A
R3111D381A	A	3	8	A
R3111D391A	A	3	9	A
R3111D401A	A	4	0	A
R3111D411A	A	4	1	A
R3111D421A	A	4	2	A
R3111D431A	A	4	3	A
R3111D441A	A	4	4	A
R3111D451A	A	4	5	A
R3111D461A	A	4	6	A
R3111D471A	A	4	7	A

Part Number	Product Code			
	①	②	③	④
R3111D481A	A	4	8	A
R3111D491A	A	4	9	A
R3111D501A	A	5	0	A
R3111D511A	A	5	1	A
R3111D521A	A	5	2	A
R3111D531A	A	5	3	A
R3111D541A	A	5	4	A
R3111D551A	A	5	5	A
R3111D561A	A	5	6	A
R3111D571A	A	5	7	A
R3111D581A	A	5	8	A
R3111D591A	A	5	9	A
R3111D601A	A	6	0	A
R3111D091B	A	0	9	B
R3111D101B	A	1	0	B
R3111D111B	A	1	1	B
R3111D121B	A	1	2	B
R3111D131B	A	1	3	B
R3111D141B	A	1	4	B
R3111D151B	A	1	5	B
R3111D161B	A	1	6	B
R3111D171B	A	1	7	B
R3111D181B	A	1	8	B
R3111D191B	A	1	9	B
R3111D201B	A	2	0	B
R3111D211B	A	2	1	B
R3111D221B	A	2	2	B
R3111D231B	A	2	3	B
R3111D241B	A	2	4	B
R3111D251B	A	2	5	B
R3111D261B	A	2	6	B
R3111D271B	A	2	7	B
R3111D281B	A	2	8	B
R3111D291B	A	2	9	B
R3111D301B	A	3	0	B
R3111D311B	A	3	1	B
R3111D321B	A	3	2	B
R3111D331B	A	3	3	B
R3111D341B	A	3	4	B

Part Number	Product Code			
	①	②	③	④
R3111D351B	A	3	5	B
R3111D361B	A	3	6	B
R3111D371B	A	3	7	B
R3111D381B	A	3	8	B
R3111D391B	A	3	9	B
R3111D401B	A	4	0	B
R3111D411B	A	4	1	B
R3111D421B	A	4	2	B
R3111D431B	A	4	3	B
R3111D441B	A	4	4	B
R3111D451B	A	4	5	B
R3111D461B	A	4	6	B
R3111D471B	A	4	7	B
R3111D481B	A	4	8	B
R3111D491B	A	4	9	B
R3111D501B	A	5	0	B
R3111D511B	A	5	1	B
R3111D521B	A	5	2	B
R3111D531B	A	5	3	B
R3111D541B	A	5	4	B
R3111D551B	A	5	5	B
R3111D561B	A	5	6	B
R3111D571B	A	5	7	B
R3111D581B	A	5	8	B
R3111D591B	A	5	9	B
R3111D601B	A	6	0	B
R3111D091C	A	0	9	C
R3111D101C	A	1	0	C
R3111D111C	A	1	1	C
R3111D121C	A	1	2	C
R3111D131C	A	1	3	C
R3111D141C	A	1	4	C
R3111D151C	A	1	5	C
R3111D161C	A	1	6	C
R3111D171C	A	1	7	C
R3111D181C	A	1	8	C
R3111D191C	A	1	9	C
R3111D201C	A	2	0	C
R3111D211C	A	2	1	C

Part Number	Product Code			
	①	②	③	④
R3111D221C	A	2	2	C
R3111D231C	A	2	3	C
R3111D241C	A	2	4	C
R3111D251C	A	2	5	C
R3111D261C	A	2	6	C
R3111D271C	A	2	7	C
R3111D281C	A	2	8	C
R3111D291C	A	2	9	C
R3111D301C	A	3	0	C
R3111D311C	A	3	1	C
R3111D321C	A	3	2	C
R3111D331C	A	3	3	C
R3111D341C	A	3	4	C
R3111D351C	A	3	5	C
R3111D361C	A	3	6	C
R3111D371C	A	3	7	C
R3111D381C	A	3	8	C
R3111D391C	A	3	9	C
R3111D401C	A	4	0	C
R3111D411C	A	4	1	C
R3111D421C	A	4	2	C
R3111D431C	A	4	3	C
R3111D441C	A	4	4	C
R3111D451C	A	4	5	C
R3111D461C	A	4	6	C
R3111D471C	A	4	7	C
R3111D481C	A	4	8	C
R3111D491C	A	4	9	C
R3111D501C	A	5	0	C
R3111D511C	A	5	1	C
R3111D521C	A	5	2	C
R3111D531C	A	5	3	C
R3111D541C	A	5	4	C
R3111D551C	A	5	5	C
R3111D561C	A	5	6	C
R3111D571C	A	5	7	C
R3111D581C	A	5	8	C
R3111D591C	A	5	9	C
R3111D601C	A	6	0	C