



SANYO Semiconductors

# DATA SHEET

## LA73060V — Monolithic Linear IC Wideband 75Ω Video Driver

### Overview

This LA73060V is a wideband 75Ω Video Driver IC. The LA73060V is ideal for use the video output driver such as TV-monitor and DVD-player equipment.

### Functions

- 6channel output.
- 6MHz or 30MHz low pass filter.
- 6dB amplifier.
- Output mute.
- Y/C\_MIX.
- Standby mode.

### Specifications

#### Maximum Ratings at Ta = 25°C

Parameter	Symbol	Conditions	Ratings	Unit
Maximum supply voltage	V <sub>CC</sub> max		7.0	V
Allowable power dissipation	Pd max	Ta ≤ 75°C *	780	mW
Operating temperature	T <sub>opr</sub>		-20 to +75	°C
Storage temperature	T <sub>stg</sub>		-40 to +150	°C

\* When mounted on a 114.3×76.1×1.6mm<sup>3</sup> glass epoxy board.

#### Recommended Operating Conditions at Ta = 25°C

Parameter	Symbol	Conditions	Ratings	Unit
Recommending operation voltage	V <sub>CC</sub>		5.0	V
Operating voltage range	V <sub>CC</sub> op		4.75 to 5.25	V
Input pin voltage application range	V <sub>IN</sub>		-0.3 to V <sub>CC</sub> op + 0.3	V

■ Any and all SANYO Semiconductor products described or contained herein do not have specifications that can handle applications that require extremely high levels of reliability, such as life-support systems, aircraft's control systems, or other applications whose failure can be reasonably expected to result in serious physical and/or material damage. Consult with your SANYO Semiconductor representative nearest you before using any SANYO Semiconductor products described or contained herein in such applications.

■ SANYO Semiconductor assumes no responsibility for equipment failures that result from using products at values that exceed, even momentarily, rated values (such as maximum ratings, operating condition ranges, or other parameters) listed in products specifications of any and all SANYO Semiconductor products described or contained herein.

**SANYO Semiconductor Co., Ltd.**

TOKYO OFFICE Tokyo Bldg., 1-10, 1 Chome, Ueno, Taito-ku, TOKYO, 110-8534 JAPAN

**Electrical Characteristics** at Ta = 25°C, VCC = 5V

Parameter	Symbol	SIG	Level [Vp-p]	Freq. [Hz]	IN point	OUT point	Conditions	Ratings			Unit
								min	typ	max	
Current dissipation 1	I <sub>CC1</sub>						No signal.	69.0	87.0	105.0	mA
Current dissipation 2	I <sub>CC2</sub>						Standby mode, No signal.	0.3	0.4	0.5	mA
Regulator voltage	REG3V					T27		2.8	3.0	3.2	V
Voltage gain 1	V <sub>G1</sub>	1	0.3	100k	T4A T6A T14A T12A T14A T16A	T1 T35 T22 T30 T28 T26	Output gain.	5.5	6.0	6.5	dB
Voltage gain 2	V <sub>G2</sub>	3	0.3	100k	T8A T12A T16A	T32 T24 T19	Output gain.	5.5	6.0	6.5	dB
Frequency characteristics 1 (CV, Y, P <sub>y</sub> , R, G, B)	V <sub>F1</sub> (SD)	1	0.3	6M	T4A T6A T14A T12A T14A T16A	T1 T35 T22 T30 T28 T26	6MHz LPF is selected. f = 6MHz / 100kHz.	-3	0.0	3	dB
Frequency characteristics 2 (C, P <sub>r</sub> , P <sub>b</sub> )	V <sub>F2</sub> (SD)	3	0.3	6M	T8A T12A T16A	T32 T24 T19	6MHz LPF is selected. f = 6MHz / 100kHz.	-3	0.0	3	dB
Frequency characteristics 3 (CV, Y, P <sub>y</sub> , R, G, B)	V <sub>F3</sub> (SD)	1	0.3	27M	T4A T6A T14A T12A T14A T16A	T1 T35 T22 T30 T28 T26	6MHz LPF is selected. f = 27MHz / 100kHz.		-40	-35	dB
Frequency characteristics 4 (C, P <sub>r</sub> , P <sub>b</sub> )	V <sub>F4</sub> (SD)	3	0.3	27M	T8A T12A T16A	T32 T24 T19	6MHz LPF is selected. f = 27MHz / 100kHz.		-40	-35	dB
Frequency characteristics 5	V <sub>F5</sub> (HD)	1	0.3	20M	T14A T12A T14A T16A	T22 T30 T28 T26	30MHz LPF is selected. f = 20MHz / 100kHz.	-1	0.0	1	dB
Frequency characteristics 6	V <sub>F6</sub> (HD)	3	0.3	20M	T12A T16A	T24 T19	30MHz LPF is selected. f = 20MHz / 100kHz.	-1	0.0	1	dB
Frequency characteristics 7	V <sub>F7</sub> (HD)	1	0.3	30M	T14A T12A T14A T16A	T22 T30 T28 T26	30MHz LPF is selected. f = 30MHz / 100kHz.	-5	-2.5	0	dB
Frequency characteristics 8	V <sub>F8</sub> (HD)	3	0.3	30M	T12A T16A	T24 T19	30MHz LPF is selected. f = 30MHz / 100kHz.	-5	-2.5	0	dB
Frequency characteristics 9	V <sub>F9</sub> (HD)	1	0.3	75M	T14A T12A T14A T16A	T22 T30 T28 T26	30MHz LPF is selected. f = 75MHz / 100kHz.		-40	-35	dB
Frequency characteristics 10	V <sub>F10</sub> (HD)	3	0.3	75M	T12A T16A	T24 T19	30MHz LPF is selected. f = 75MHz / 100kHz.		-40	-35	dB

Continued on next page.

# LA73060V

Continued from preceding page.

Parameter	Symbol	SIG	Level [Vp-p]	Freq. [Hz]	IN point	OUT point	Conditions	Ratings			Unit
								min	typ	max	
2nd order distortion 1 (SD)	Dst1 (SD)	1	0.7	4M	T4A T6A T14A T12A T14A T16A	T1A T35A T22A T30A T28A T26A			-40	-35	dB
2nd order distortion 2 (SD)	Dst2 (SD)	3	0.7	4M	T8A T12A T16A	T32A T24A T19A			-40	-35	dB
2nd order distortion 3 (HD)	Dst3 (HD)	1	0.7	10M	T14A T12A T14A T16A	T22A T30A T28A T26A			-40	-35	dB
2nd order distortion 4 (HD)	Dst4 (HD)	3	0.7	10M	T8A T12A T16A	T32A T24A T19A			-40	-35	dB
Clipping output level 1	$V_O \text{ max1}$	3	2	100k	T4A T6A T14A T12A T14A T16A	T1 T35 T22 T30 T28 T26	Output level for clipping.	2.2	2.4		Vp-p
Clipping output level 2	$V_O \text{ max2}$	3	2	100k	T8A T12A T16A	T32 T24 T19	Output level for clipping.	2.2	2.4		Vp-p
Amount of mute attenuation 1	$V_M1$	1	0.3	4M	T4A T6A T14A T12A T14A T16A	T1 T35 T22 T30 T28 T26			-60	-50	dB
Amount of mute attenuation 2	$V_M2$	3	0.3	4M	T8A T12A T16A	T32 T24 T19			-60	-50	dB
Crosstalk between channels 1	$V_{CT1}$	1	0.3	4M	T4A T6A T14A T12A T14A T16A				-60	-50	dB
Crosstalk between channels 2	$V_{CT2}$	3	0.3	4M	T8A T12A T16A				-60	-50	dB

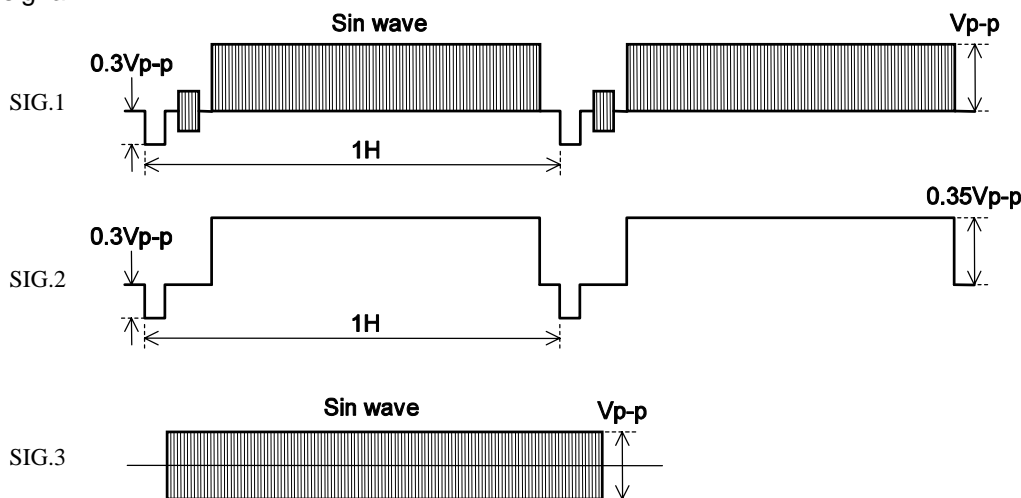
Continued on next page.

# LA73060V

Continued from preceding page.

Parameter	Symbol	SIG	Level [Vp-p]	Freq. [Hz]	IN point	OUT point	Conditions	Ratings			Unit
								min	typ	max	
Video S/N 1 (SD)	$V_{S/N1}$ (SD)	2	0.65		T4A T6A T14A T12A T14A T16A	T1A T35A T22A T30A T28A T26A	$V_{IN}$ = Video (50% White), The band is between 100kHz and 4.2MHz		-70	-60	dB
Video S/N 2 (HD)	$V_{S/N2}$ (HD)	2	0.65		T14A T12A T14A T16A	T22A T30A T28A T26A	$V_{IN}$ = Video (50% White), The band is between 100kHz and 30MHz		-60	-50	dB
Group delay 1 (SD)	GD1 (SD)	1	0.3	6M	T4A T6A T14A T12A T14A T16A	T1 T35 T22 T30 T28 T26	Input / Output delay time. $f=6\text{MHz}/100\text{kHz}$		20	30	ns
Group delay 2 (SD)	GD2 (SD)	3	0.3	6M	T8A T12A T16A	T32 T24 T19	Input / Output delay time. $f=6\text{MHz}/100\text{kHz}$		20	30	ns
Group delay 3 (HD)	GD3 (HD)	1	0.3	30M	T14A T12A T14A T16A	T22 T30 T28 T26	Input / Output delay time. $f=30\text{MHz}/100\text{kHz}$		10	20	ns
Group delay 4 (HD)	GD4 (HD)	3	0.3	30M	T12A T16A	T24 T19	Input / Output delay time. $f=30\text{MHz}/100\text{kHz}$		10	20	ns

## Input signal



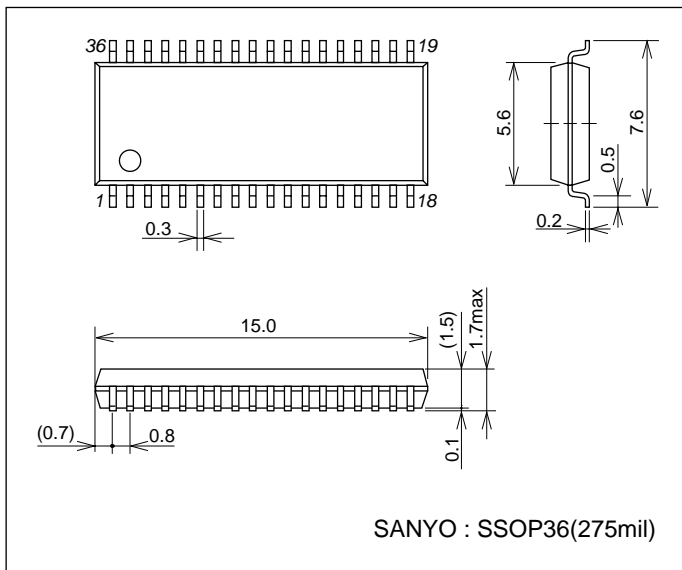
## Truth Table

SW No.	Pin No.	Function	H (2.3V to $V_{CC}$ )	L (0 to 0.7V)
SW1	5	Y/C MIX	OFF	ON
SW2	7	CV Mute control	OFF	ON
SW3	11	Power save control	OFF	ON
SW4	13	Input control	CLAMP ON(RGB Mode)	BIAS ON(Component Mode)
SW5	15	Filter control	6MHz LPF ON(RGB Mode)	30MHz LPF ON(Component Mode)
SW6	17	Output control	RGB ON(RGB Mode)	Component ON(Component Mode)
SW7	20	RGB&Component Mute control	OFF	ON

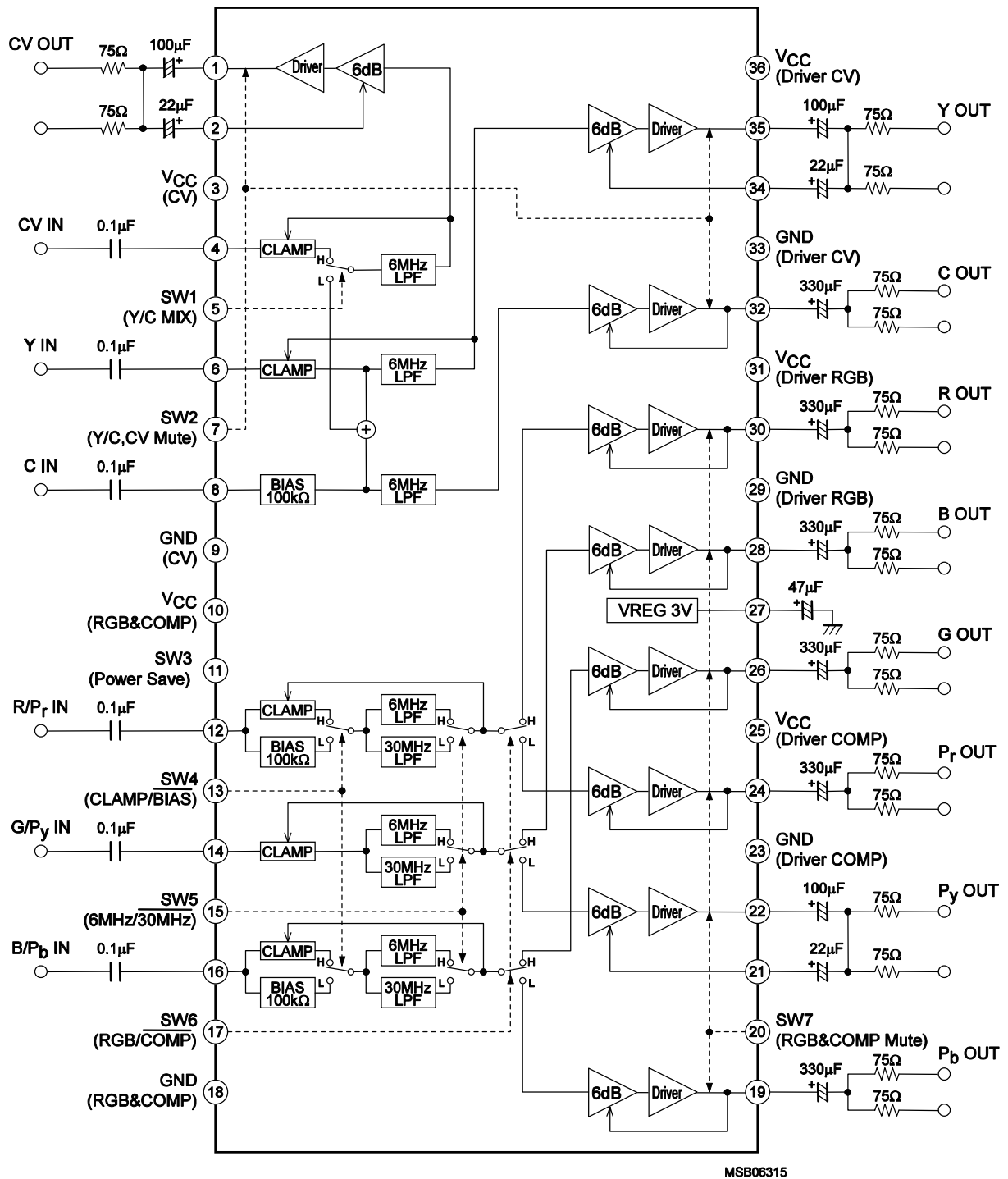
Package Dimensions

unit : mm

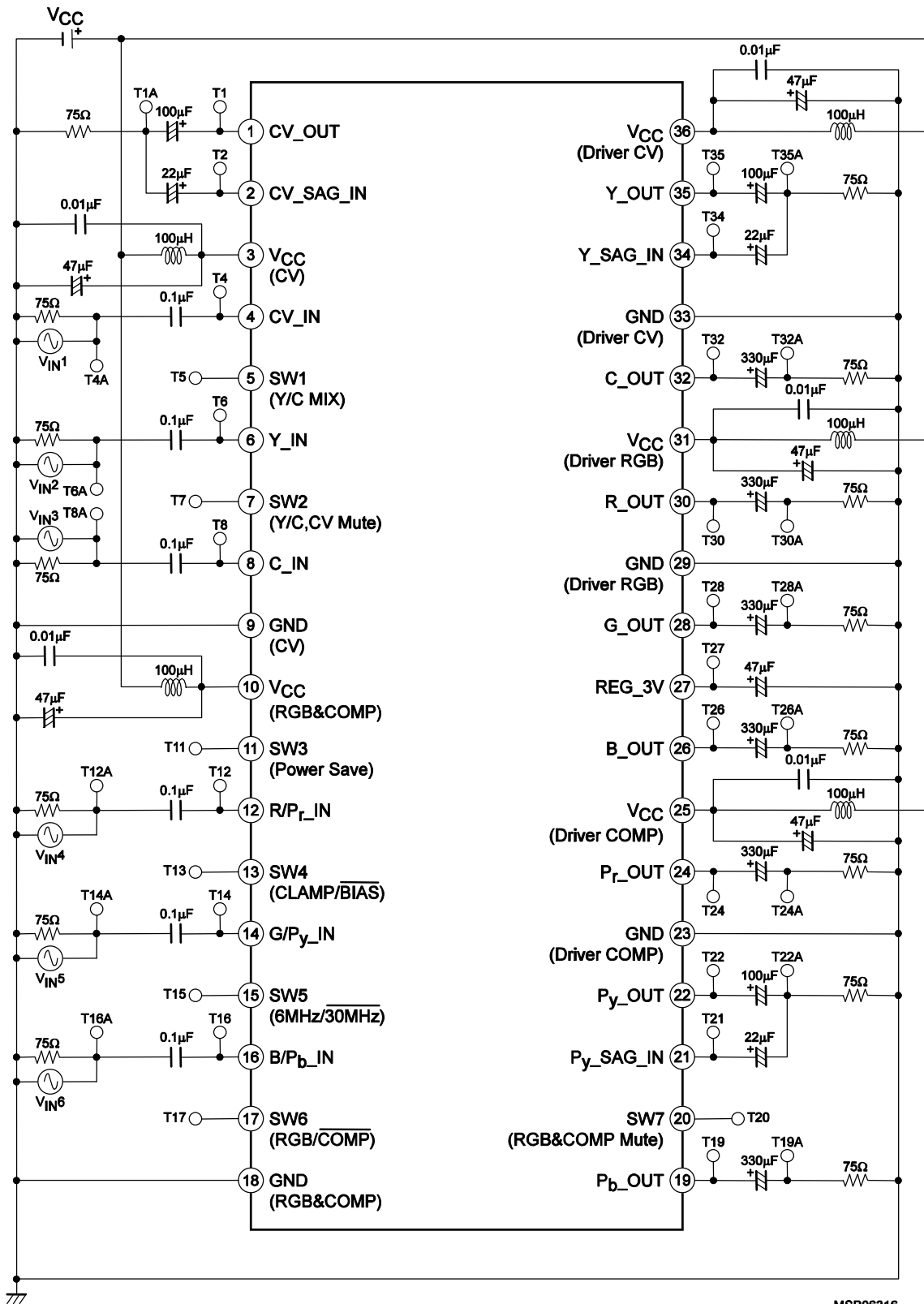
3247A



Block Diagram



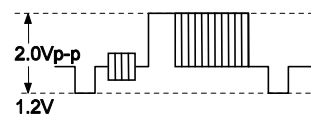
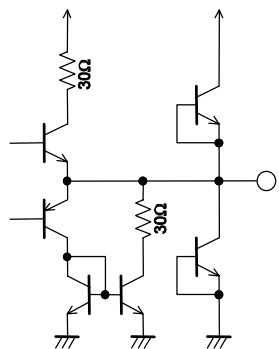
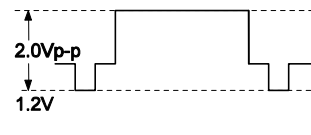
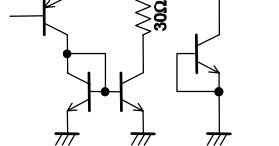
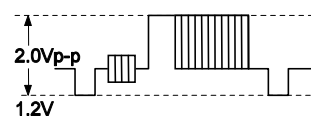
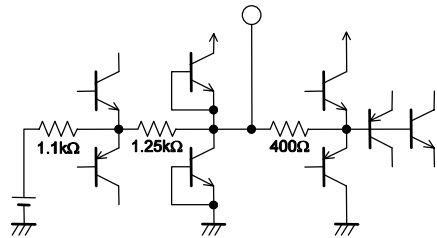
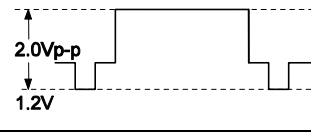
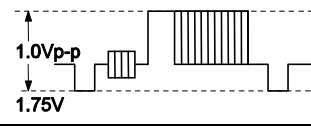
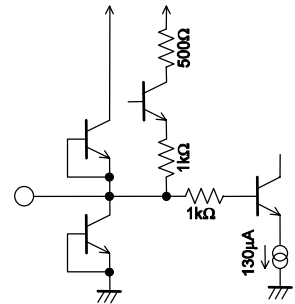
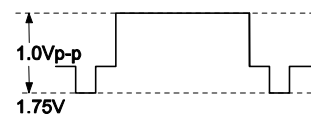
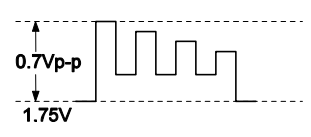
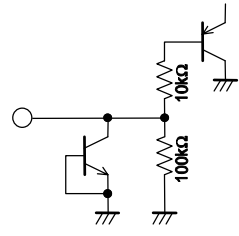
Test Circuit Diagram



MSB06316

# LA73060V

## Pin Functions

Pin No.	Pin Name	Signal Wave Form	Equivalent Circuit
1	CV_OUT		
35	Y_OUT		
2	CV_SAG_IN		
21 34	P <sub>y</sub> _SAG_IN Y_SAG_IN		
4	CV_IN		
6	Y_IN	Y_IN, P <sub>y</sub> _IN 	
14	G/P <sub>y</sub> _IN	RGB 	
5 7 11 13 15 17 20	SW1 SW2 SW3 SW4 SW5 SW6 SW7	*See the Truth Table.	
3 10 25 31 36	V <sub>CC</sub> (CV) V <sub>CC</sub> (RGB&COMP) V <sub>CC</sub> (Driver COMP) V <sub>CC</sub> (Driver RGB) V <sub>CC</sub> (Driver CV)		

Continued on next page.



# LA73060V

Continued from preceding page.

Pin No.	Pin Name	Signal Wave Form	Equivalent Circuit
8	C_IN		
12 16	R/P <sub>r</sub> _IN B/P <sub>b</sub> _IN	<p>RGB</p> <p>Component</p>	
26 28 30	B_OUT G_OUT R_OUT		
19 24	P <sub>b</sub> _OUT P <sub>r</sub> _OUT		
32	C_OUT		
9 18 23 29 33	GND (CV) GND (RGB&COMP) GND (Driver COMP) GND (Driver RGB) GND (Driver CV)		
27	REG3V	DC : 3.0V	

- Specifications of any and all SANYO Semiconductor products described or contained herein stipulate the performance, characteristics, and functions of the described products in the independent state, and are not guarantees of the performance, characteristics, and functions of the described products as mounted in the customer's products or equipment. To verify symptoms and states that cannot be evaluated in an independent device, the customer should always evaluate and test devices mounted in the customer's products or equipment.
- SANYO Semiconductor Co., Ltd. strives to supply high-quality high-reliability products. However, any and all semiconductor products fail with some probability. It is possible that these probabilistic failures could give rise to accidents or events that could endanger human lives, that could give rise to smoke or fire, or that could cause damage to other property. When designing equipment, adopt safety measures so that these kinds of accidents or events cannot occur. Such measures include but are not limited to protective circuits and error prevention circuits for safe design, redundant design, and structural design.
- In the event that any or all SANYO Semiconductor products (including technical data, services) described or contained herein are controlled under any of applicable local export control laws and regulations, such products must not be exported without obtaining the export license from the authorities concerned in accordance with the above law.
- No part of this publication may be reproduced or transmitted in any form or by any means, electronic or mechanical, including photocopying and recording, or any information storage or retrieval system, or otherwise, without the prior written permission of SANYO Semiconductor Co., Ltd.
- Any and all information described or contained herein are subject to change without notice due to product/technology improvement, etc. When designing equipment, refer to the "Delivery Specification" for the SANYO Semiconductor product that you intend to use.
- Information (including circuit diagrams and circuit parameters) herein is for example only; it is not guaranteed for volume production. SANYO Semiconductor believes information herein is accurate and reliable, but no guarantees are made or implied regarding its use or any infringements of intellectual property rights or other rights of third parties.

This catalog provides information as of March, 2006. Specifications and information herein are subject to change without notice.