



# CHENMKO ENTERPRISE CO.,LTD

**CHN217UPT**

## SURFACE MOUNT SWITCHING DIODE

VOLTAGE 80 Volts CURRENT 0.1 Ampere

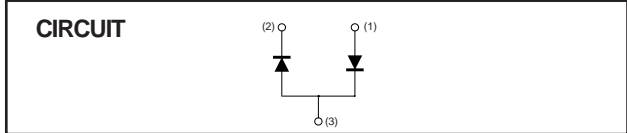
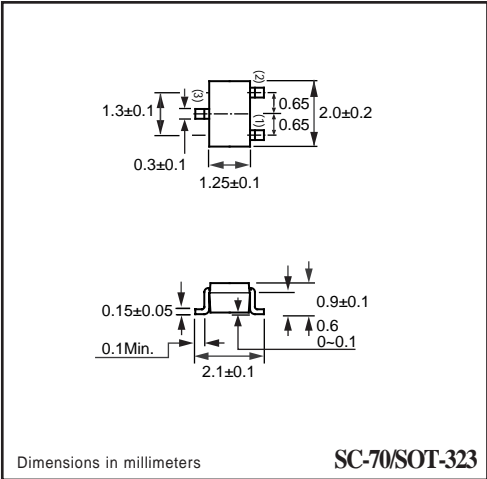
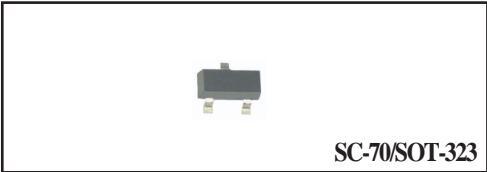
Lead free devices

**APPLICATION**  
\* Ultra high speed switching

**FEATURE**  
\* Small surface mounting type. (SC-70/SOT-323)  
\* Two diode elements are connected in series (VFX2) per circuit.  
\* Maximum total power dissipation is 200mW.  
\* Peak forward current is 300mA.

**CONSTRUCTION**  
\* Silicon epitaxial planar

**MARKING**  
\* A7



**MAXIMUM RATINGS** ( At TA = 25°C unless otherwise noted )

| RATINGS  | SYMBOL | CHN217UPT   | UNITS |
|--|--------|-------------|-------|
| Maximum Recurrent Peak Reverse Voltage                 | VRRM   | 80          | Volts |
| Maximum RMS Voltage                                    | VRMS   | 56          | Volts |
| Maximum DC Blocking Voltage                            | VDC    | 80          | Volts |
| Maximum Average Forward Rectified Current              | IO     | 0.1         | Amps  |
| Peak Forward Surge Current at 1uSec.                   | IFSM   | 4.0         | Amps  |
| Typical Junction Capacitance between Terminal (Note 1) | CJ     | 2.0         | pF    |
| Maximum Operating Temperature Range                    | TJ     | +150        | °C    |
| Storage Temperature Range                              | TSTG   | -55 to +150 | °C    |

**ELECTRICAL CHARACTERISTICS** ( At TA = 25°C unless otherwise noted )

| CHARACTERISTICS                                    | SYMBOL | CHN217UPT | UNITS |
|--|--------|-----------|-------|
| Maximum Instantaneous Forward Voltage at IF= 100mA | VF     | 1.20      | Volts |
| Maximum Average Reverse Current at VR= 70V         | IR     | 0.2       | uAmps |

NOTES : 1. Measured at 1.0 MHz and applied reverse voltage of 6.0 volts.  
2. ESD sensitive product handling required.

## RATING CHARACTERISTIC CURVES ( CHN217UPT )

FIG. 1 - FORWARD CHARACTERISTICS

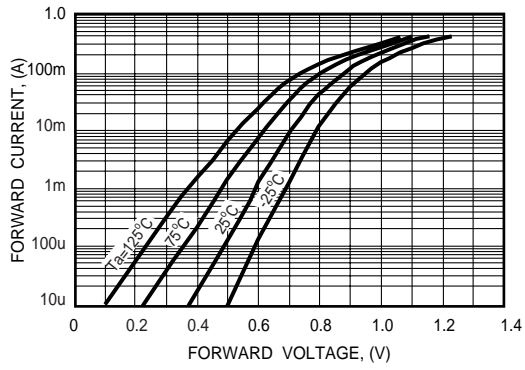


FIG. 2 - REVERSE CHARACTERISTICS

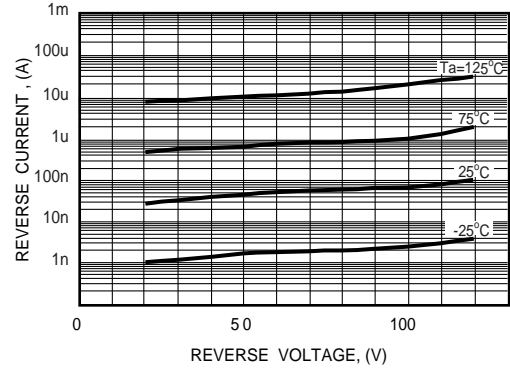


FIG. 3 - TYPICAL JUNCTION CAPACITANCE

