

DUAL OPERATIONAL AMPLIFIERS

DESCRIPTION

The AMC358 series is designed containing two independent, high gain operational amplifiers. It can operate from a single power supply over a wide range from 4.5V to 30V.

Not only it can be used in all conventional operation amplifiers circuits in single power supply systems, the AMC358 series is also ideal for transducer amplifiers, DC gain blocks and etc. In addition, without the need of $\pm 15V$ dual power supply voltages, the AMC358 series can be directly operated from the 5V power supply voltage which is also used for digital systems.

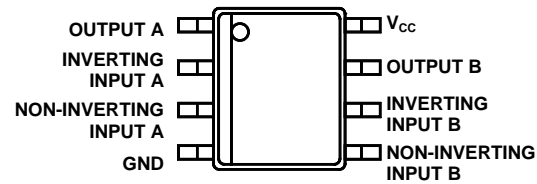
FEATURES

- Large DC voltage gain (typical 100 dB)
- Wide bandwidth (typical 1MHz)
- Operated by either single supply or dual supplies
- High accuracy output voltage
- Low input offset voltage (typical 2mV)
- Large output voltage swing: 0V to $V_{CC} - 1.5V$
- Low dropout voltage
- Input common-mode voltage range includes ground
- Low supply current drain
- Pin assignment identical to earlier LM358 series.

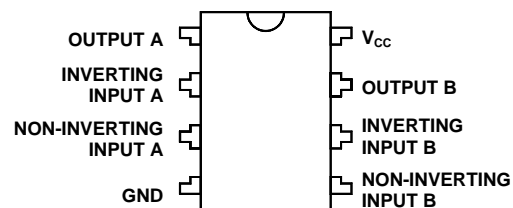
APPLICATIONS

- General Purpose Amplifiers
- Pulse Generator
- Square Wave Oscillator
- Low Drift Peak Detector
- Voltage Controlled Oscillator (VCO)
- Filters

PACKAGE PIN OUT



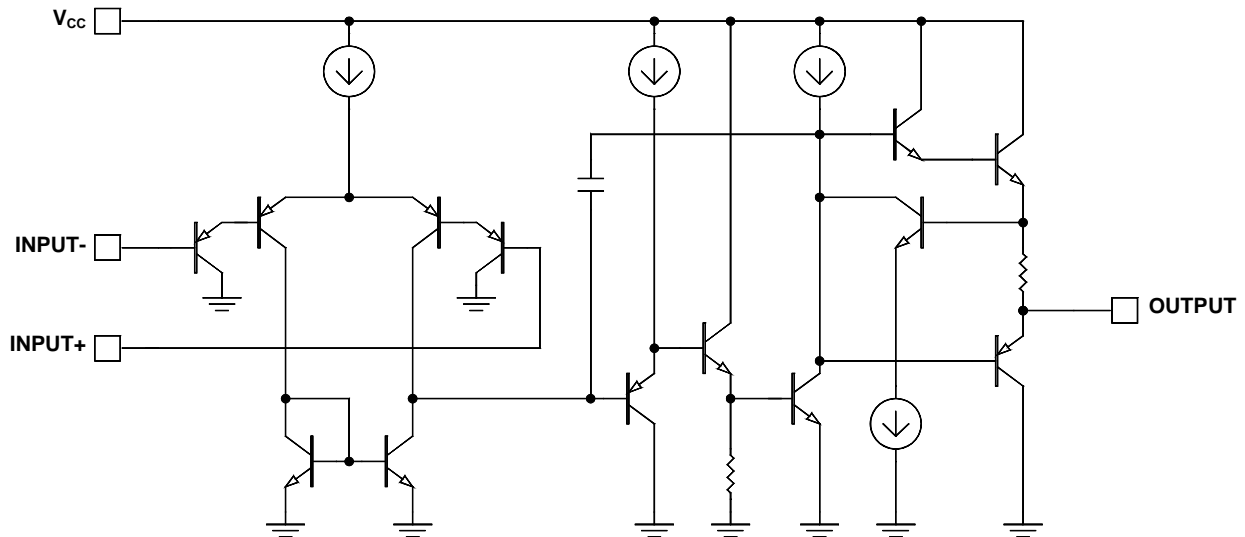
8-Pin Plastic S.O.I.C.
(Top View)



8-Pin Plastic DIP
(Top View)

ORDER INFORMATION

T_A (°C)	M	Plastic DIP	DM	Plastic SOIC
		8-pin		8-pin
0 to 70		AMC358MF		AMC358DMF
Note: All surface-mount packages are available in Tape & Reel. Append the letter "T" to part number (i.e. AMC358DMT). The letter "F" marked for Lead Free process.				

SCHEMATIC DIAGRAM (each amplifier)

ABSOLUTE MAXIMUM RATINGS (Note 1)

Input Supply Voltage	32V
Input Voltage	-0.3V to 30V
Differential Input Voltage	32V
Operating Junction Temperature Range, T_j	0°C to 150°C
Storage Temperature Range	-65°C to 150°C
Lead Temperature (soldering, 10 seconds)	260°C

Note 1: Exceeding these ratings could cause damage to the device. All voltages are with respect to Ground. Currents are positive into, negative out of the specified terminal.

ELECTRICAL CHARACTERISTICS

 Unless otherwise specified, these specifications apply to the operating at specified free-air temperatures and $V_{CC} = 5V$.

Parameter	Symbol	Test Conditions	AMC358			Units			
			Min	Typ	Max				
Input Offset Voltage	V_{IO}	$T_A = 25\text{ }^\circ\text{C}$ (Note 2)		3	7	mV			
		$0\text{ }^\circ\text{C} \leq T_A \leq 70\text{ }^\circ\text{C}$			9				
Input Bias Current (Note 3)	I_{IB}	$T_A = 25\text{ }^\circ\text{C}$		- 20	- 250	nA			
		$0\text{ }^\circ\text{C} \leq T_A \leq 70\text{ }^\circ\text{C}$			500				
Input Offset Current	I_{IO}	$V_{CM} = 0V$, $V_{OUT} = 1.4V$	$T_A = 25\text{ }^\circ\text{C}$		2	50	nA		
			$0\text{ }^\circ\text{C} \leq T_A \leq 70\text{ }^\circ\text{C}$			150			
Input Common-mode Voltage Range (Note 4)	V_{CM}	$V_{CC} = 30V$	$T_A = 25\text{ }^\circ\text{C}$	0		$V_{CC} - 1.5$	V		
			$0\text{ }^\circ\text{C} \leq T_A \leq 70\text{ }^\circ\text{C}$	0		$V_{CC} - 2.0$			
Supply Current	I_{CC}	No load	$0\text{ }^\circ\text{C} \leq T_A \leq 70\text{ }^\circ\text{C}$		0.7	1.2	mA		
		$V_{CC} = 30V$, No load			1.0	2.0			
High-level Output Voltage	V_{OH}	$V_{CC} = 30V$, $0\text{ }^\circ\text{C} \leq T_A \leq 70\text{ }^\circ\text{C}$	$R_L = 2\text{ k}\Omega$	26			V		
			$R_L = 10\text{ k}\Omega$	27	28				
Low-level Output Voltage	V_{OL}	$R_L = 10\text{ k}\Omega$, $0\text{ }^\circ\text{C} \leq T_A \leq 70\text{ }^\circ\text{C}$		5	100	mV			
Large Signal Voltage	A_{VD}	$V_{CC} = 15V$, $V_{OUT} = 1V$ to $11V$, $R_L = 10\text{ k}\Omega$, $T_A = 25\text{ }^\circ\text{C}$	25	100		V/mV			
Common-mode Rejection Ratio	CMRR	$V_{CC} = 5V$ to $30V$, $V_{CM} = 0V$ to $V_{CC} - 1.5V$, $T_A = 25\text{ }^\circ\text{C}$	65	85		dB			
Power Supply Rejection Ratio (Note 5)	KSVR	$V_{CC} = 5V$ to $30V$, $T_A = 25\text{ }^\circ\text{C}$		100		dB			
Cross Talk (note 5)		$f = 1\text{ kHz}$ to 20 kHz , $T_A = 25\text{ }^\circ\text{C}$		120		dB			
Output Current	Source	I_O	$V_{CC} = 15V$, $V_{IN}^+ - V_{IN}^- = 1V$, $V_{OUT} = 2V$, $T_A = 25\text{ }^\circ\text{C}$	- 20	- 30		mA		
	Sink			$V_{CC} = 15V$, $V_{IN}^+ - V_{IN}^- = - 1V$, $V_{OUT} = 2V$, $T_A = 25\text{ }^\circ\text{C}$	10	20			mA
				$V_{CC} = 15V$, $V_{IN}^+ - V_{IN}^- = 1V$, $V_{OUT} = 2mV$, $T_A = 25\text{ }^\circ\text{C}$	12	20			
Short Circuit Output Current (Note 6)	I_{OS}	$V_{CC} = 15V$, $T_A = 25\text{ }^\circ\text{C}$		± 40	± 60	mA			

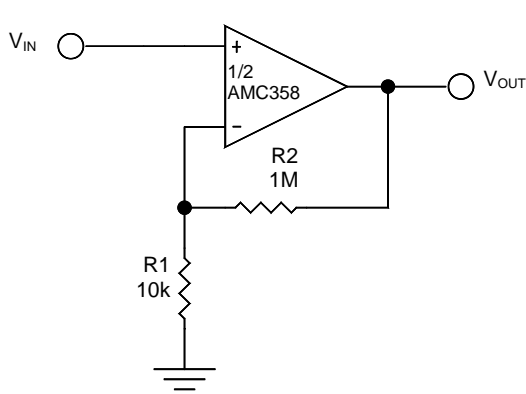
Note 2: $V_{OUT} \cong 1.4V$, $R_S = 0\Omega$, with V_{CC} from $4.5V$ to $30V$; and over the full input common-mode range ($0V$ to $V_{CC} - 1.5V$) at 25°C .

Note 3: Due to PNP input stage, the direction of the input current is out of the IC. It is essentially constant, independent of the state of the output, so no loading change exists on the input lines.

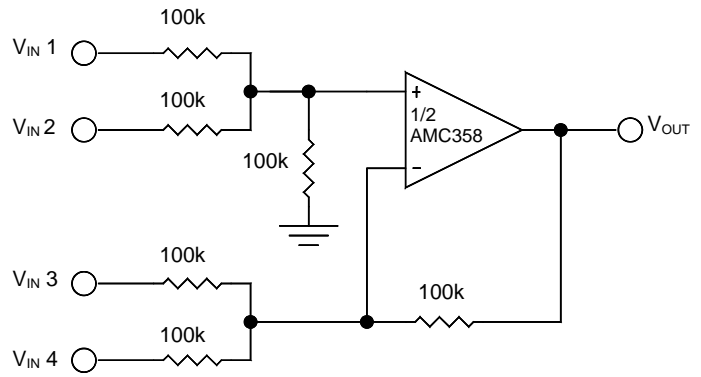
Note 4: The input common-mode voltage of either input signal voltage should not be allowed to go negative by more than $0.3V$ (at 25°C). The upper limit of the common-mode voltage range is $V_{CC} - 1.5V$ (at 25°C), but either or both inputs can go to $32V$ without damage, independent of the magnitude of V_{CC} .

Note 5: These parameters, although guaranteed, are not tested in production.

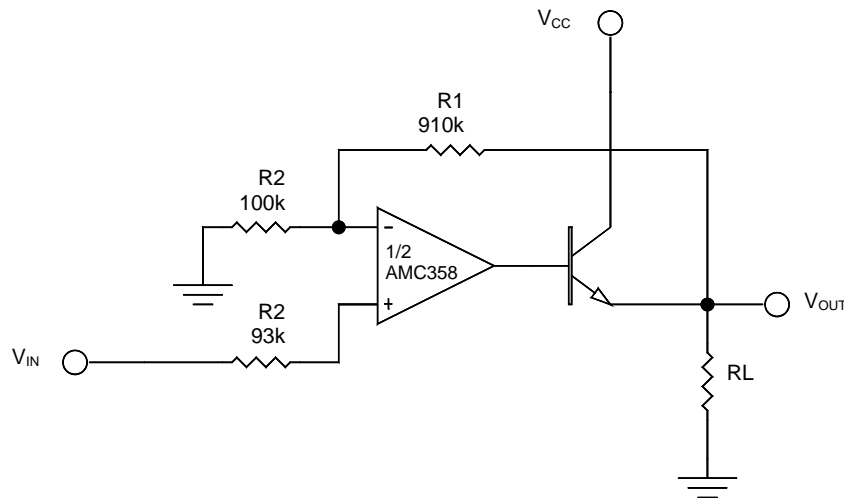
Note 6: Short Circuits from the output to V_{CC} can cause excessive heating and eventual destruction. When considering short circuits to ground, the maximum output current is approximately 40mA independent of the magnitude of V_{CC} . At values of supply voltage in excess of $15V$, continuous short-circuit can exceed the power dissipation ratings and cause destruction. Destructive dissipation can result from simultaneous shorts on all amplifiers.

APPLICATION INFORMATION


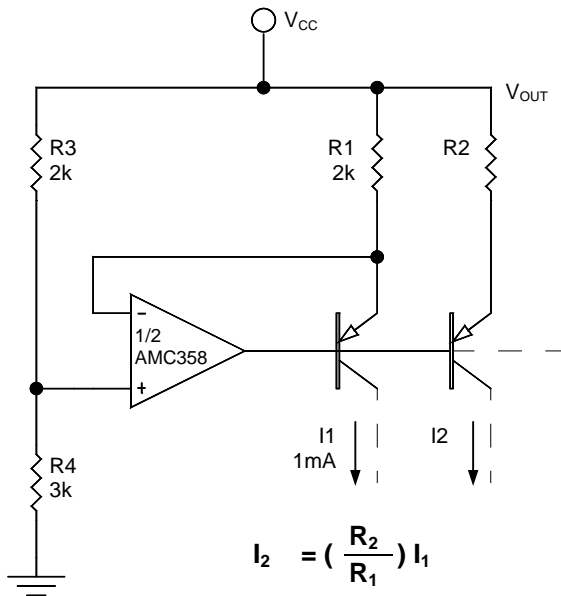
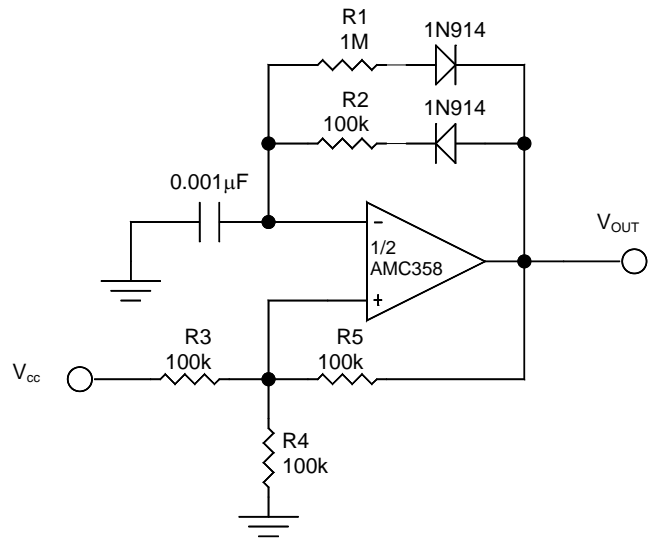
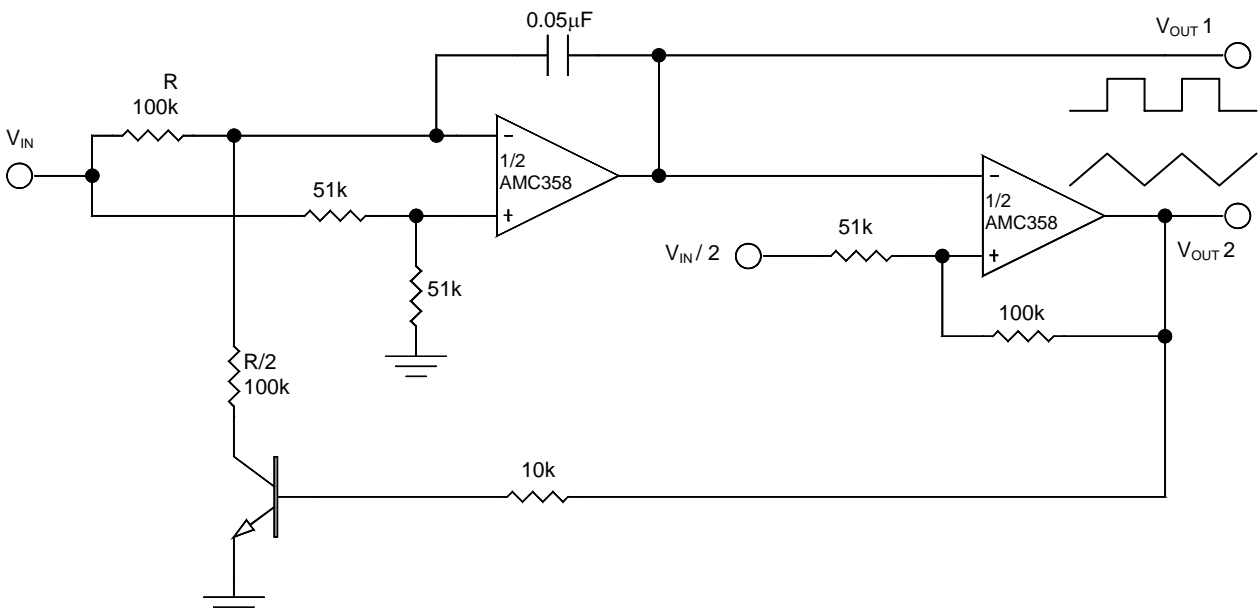
Non-Inverting DC Gain (0V Output)
Gain = 1 + (R2/R1)

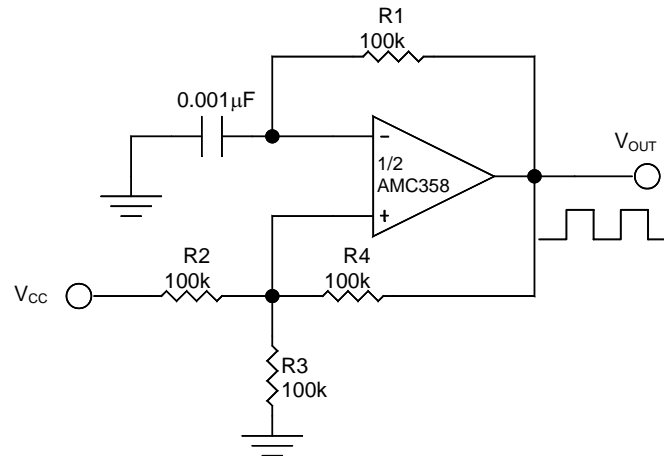
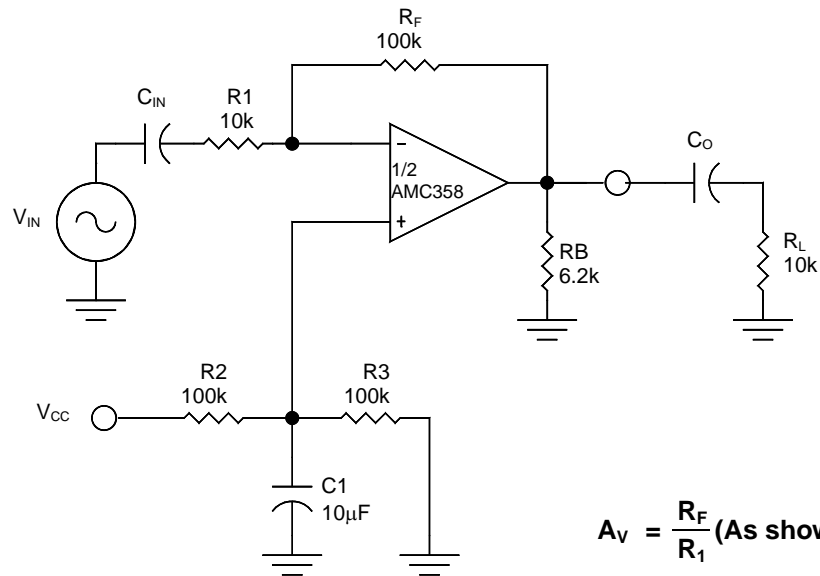


DC Summing Amplifier
(VIN'S ≥ 0 VDC and VOUT ≥ 0 VDC)



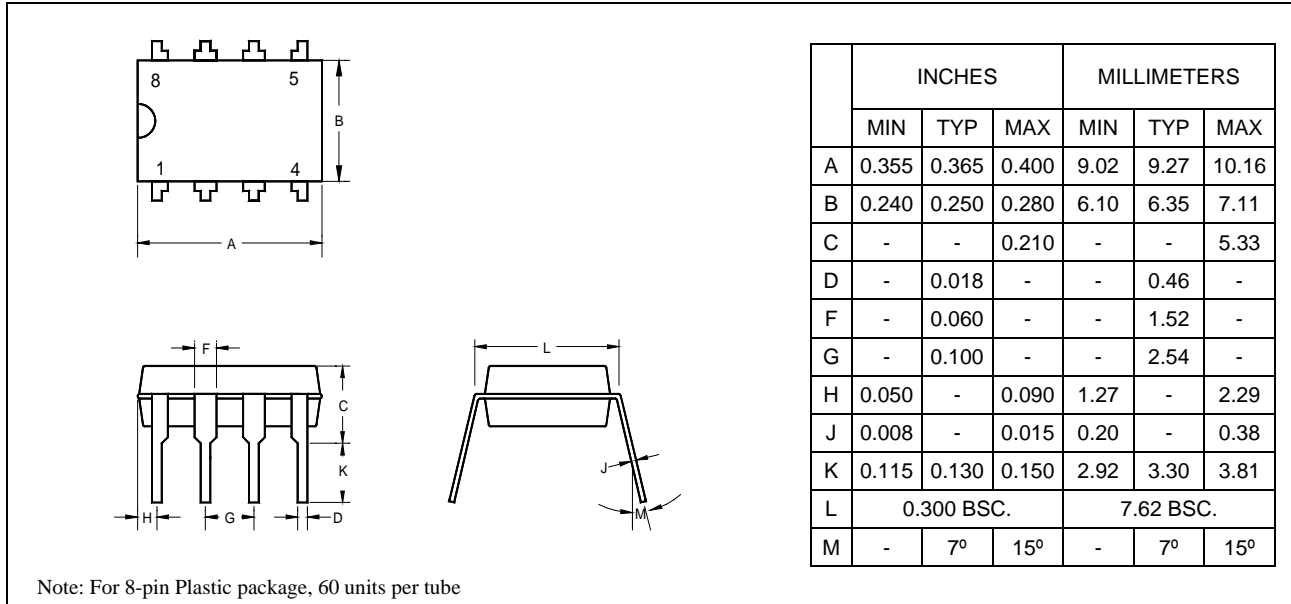
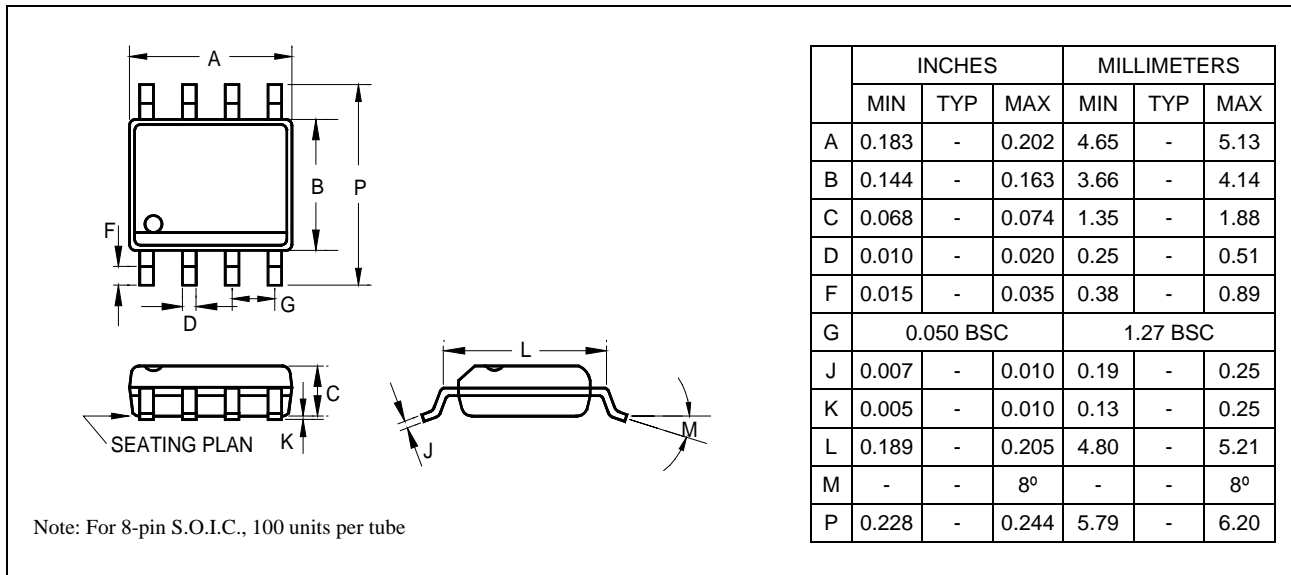
Power Amplifier

APPLICATION INFORMATION (continued)

Fixed Current Source

Pulse Generator

Voltage Controlled Oscillator (VCO)

APPLICATION INFORMATION (continued)

Square Wave Oscillator


$$A_V = \frac{R_F}{R_1} \text{ (As shown, } A_V = 10 \text{)}$$

AC Coupled Amplifier

PACKAGE
8-Pin Plastic DIP

8-Pin Plastic S.O.I.C.


IMPORTANT NOTICE

ADDtek reserves the right to make changes to its products or to discontinue any integrated circuit product or service without notice, and advises its customers to obtain the latest version of relevant information to verify, before placing orders, that the information being relied on is current.

A few applications using integrated circuit products may involve potential risks of death, personal injury, or severe property or environmental damage. ADDtek integrated circuit products are not designed, intended, authorized, or warranted to be suitable for use in life-support applications, devices or systems or other critical applications. Use of ADDtek products in such applications is understood to be fully at the risk of the customer. In order to minimize risks associated with the customer's applications, the customer should provide adequate design and operating safeguards.

ADDtek assumes no liability to customer product design or application support. ADDtek warrants the performance of its products to the specifications applicable at the time of sale.

ADDtek Corp.

9F, No. 20, Sec. 3, Bade Rd., Taipei, Taiwan, 105

TEL: 2-25700299

FAX: 2-25700196
