

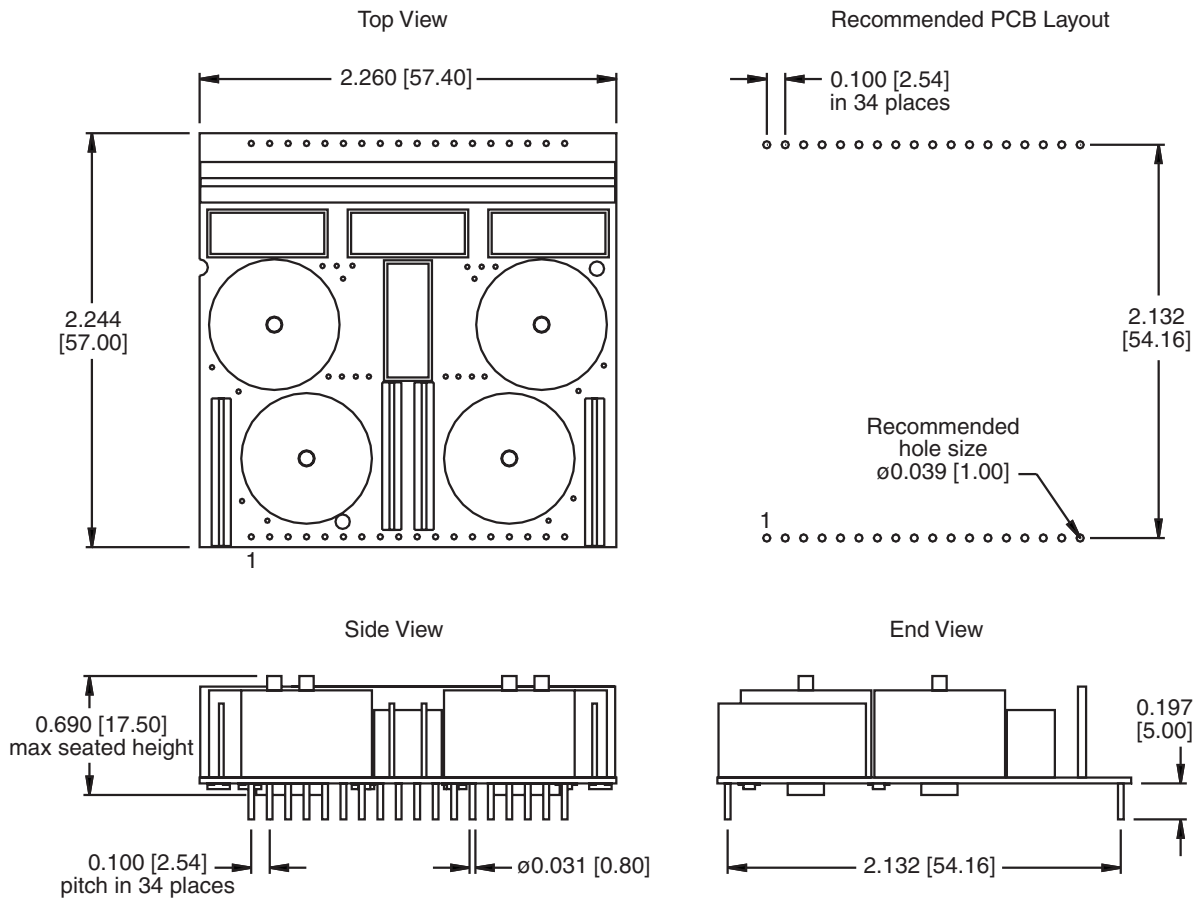
# Quad ISDN U Interface Hybrid

0803-6204-02

## ELECTRICAL SPECIFICATIONS @ 25°C

Turns Ratio PRI:SEC +/- 5%	Primary Inductance mH min	Leakage Inductance uH max	Primary DCR OHMS max	Secondary DCR OHMS max	Capacitance pF max	Isolation Voltage PRI:SEC Vrms
1.6:1	14.5	90	7	4.5	70	1500

## MECHANICAL



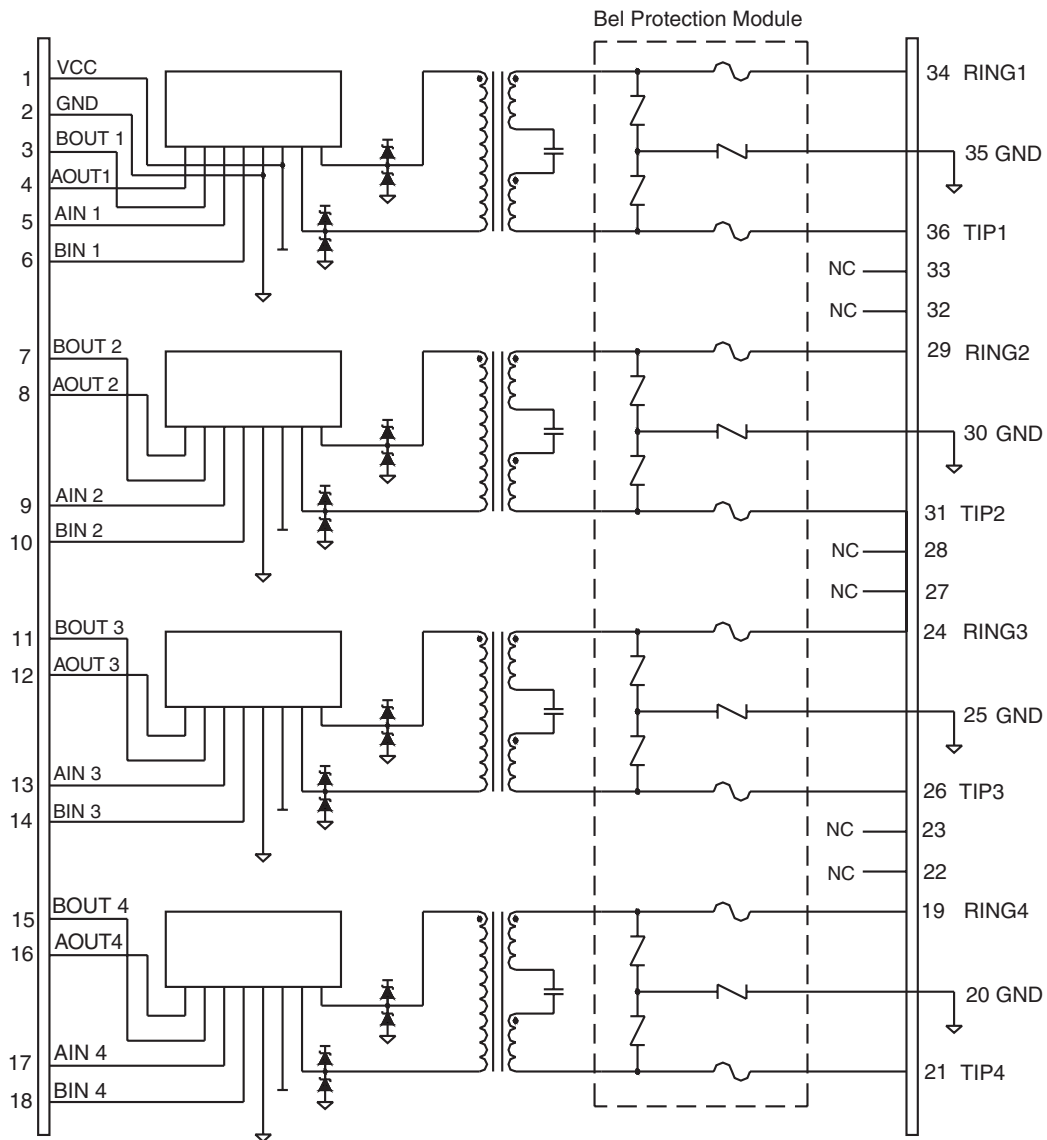
NOTES: NOT TO SCALE  
TOLERANCE +/- 0.2MM  
ALL DIMENSIONS IN MM  
PIN DIAMETER 0.75MM MAX.



# Quad ISDN U Interface Hybrid

0803-6204-02

## SCHEMATIC



©2004 Bel Fuse Inc. Specifications subject to change without notice. 01.23.04

### CORPORATE

Bel Fuse Inc.  
206 Van Vorst Street  
Jersey City, NJ 07302  
Tel 201-432-0463  
Fax 201-432-9542  
www.belfuse.com

### FAR EAST

Bel Fuse Ltd.  
8F / 8 Luk Hop Street  
San Po Kong  
Kowloon, Hong Kong  
Tel 852-2328-5515  
Fax 852-2352-3706  
www.belfuse.com

### EUROPE

Bel Stewart Connector  
45/46 Riverside  
Medway City Estate  
Rochester, Kent ME2 4DP U.K.  
Tel 44-1634-722890  
Fax 44-1634-716677  
www.belfuse.com