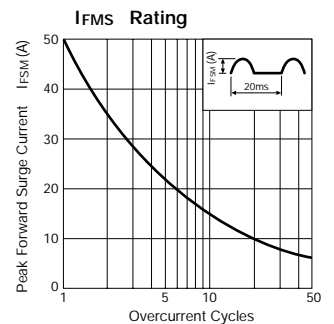


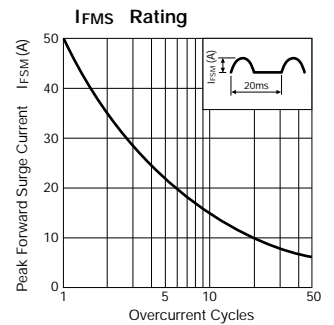
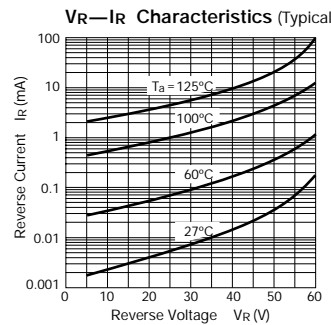
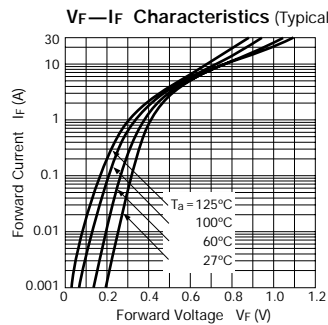
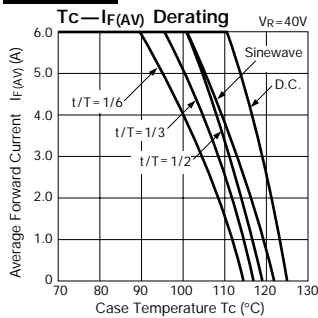
Schottky Barrier Diodes (Power Surface Mount) 30V, 40V, 60V

Parameter Type No.	Absolute Maximum Ratings					Electrical Characteristics (Ta=25°C)						Others			
	VRM (V)	IF(AV) (A)	IFSM (A) 50Hz Half-cycle Sinewave Single Shot	Tj (°C)	Tstg (°C)	VF (V)		IR (mA)	IR (H) (mA)	trr (ns)		Rth (j-c) (°C/W)	Mass (g)	Remarks	Fig.
						max per element	IF (A)	VR=VRM max per element	VR=VRM, Ta=100°C max per element		IF/IRP (mA)				
SPJ-63S	30	6.0	50	-40 to +150	0.45	3.0	3.0	30 (Tj=125°C)	—	—	5.0	0.29	Center-tap	Ⓐ	
SPB-64S		6.0													
SPB-G34S		3.0											60		
SPB-G54S		5.0													
MPE-24H		15.0											100	0.6	7.5
SPB-G56S	60	6.0	60	0.7	5.0	3.0	50	50	100/100	5.0	0.29	1 Chip	Ⓐ		

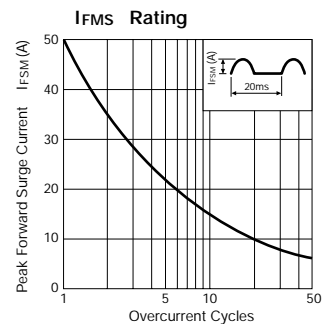
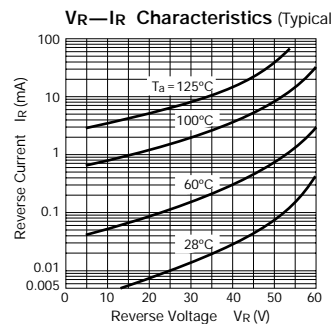
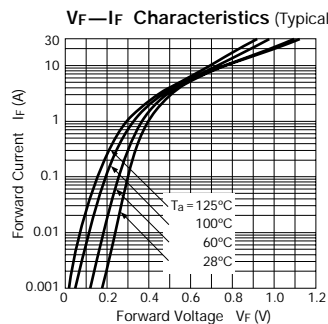
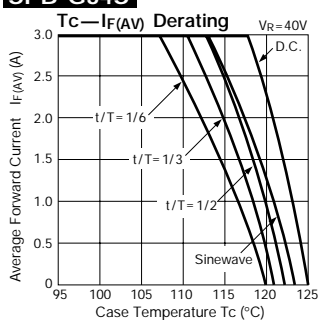
SPJ-63S



SPB-64S

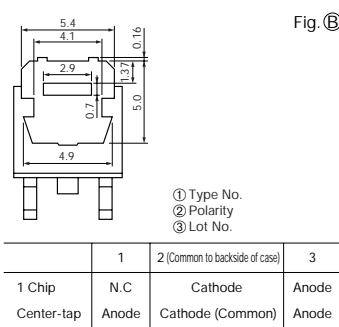
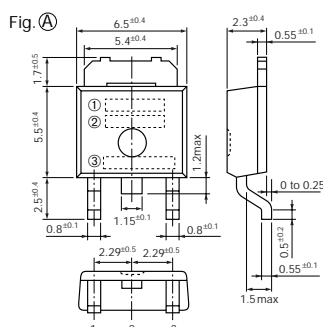


SPB-G34S



External Dimensions (Unit: mm)

Flammability:
UL94V-0 or Equivalent



- ① Type No.
- ② Polarity
- ③ Lot No.

	1	2 (Common to backside of case)	3
1 Chip	N.C	Cathode	Anode
Center-tap	Anode	Cathode (Common)	Anode