

## Features

- Supply Voltage up to 40V
- Operating Voltage  $V_S = 5V$  to 18V
- Typically 10  $\mu A$  Supply Current During Sleep Mode
- Typically 40  $\mu A$  Supply Current in Silent Mode
- Linear Low-drop Voltage Regulator:
  - Normal Mode:  $V_{CC} = 5V \pm 2\%/50$  mA
  - Silent Mode:  $V_{CC} = 5V \pm 7\%/50$  mA
  - Sleep Mode:  $V_{CC}$  is Switched Off
- $V_{CC}$  Undervoltage Detection with Reset Output NRES (10 ms Reset Time)
- Voltage Regulator is Short-circuit and Over-temperature Protected
- LIN Physical Layer According to LIN Specification Revision 2.0
- Wake-up Capability via LIN Bus (90  $\mu s$  Dominant)
- TXD Time-out Timer (9 ms)
- 60V Load-dump Protection at LIN Pin
- Bus Pin is Overtemperature and Short-circuit Protected versus GND and Battery
- High EMC Level
- 5V CMOS-Compatible I/O Pins to MCU
- ESD HBM 6kV at Pins LIN and VS
- Interference and Damage Protection According to ISO/CD7637
- Package: SO8

## 1. Description

ATA6620 is a fully integrated LIN transceiver, designed according to the LIN specification 2.0, with a low-drop voltage regulator (5V/50 mA). The combination of voltage regulator and bus transceiver makes it possible to develop simple, but powerful, slave nodes in LIN Bus systems. ATA6620 is designed to handle the low-speed data communication in vehicles (for example, in convenience electronics). Improved slope control at the LIN driver ensures secure data communication up to 20 kBaud with an RC oscillator for the protocol handling. The bus output is designed to withstand high voltage. Sleep mode (voltage regulator switched off) and Silent mode (communication off;  $V_{CC}$  voltage on) guarantee minimized current consumption.

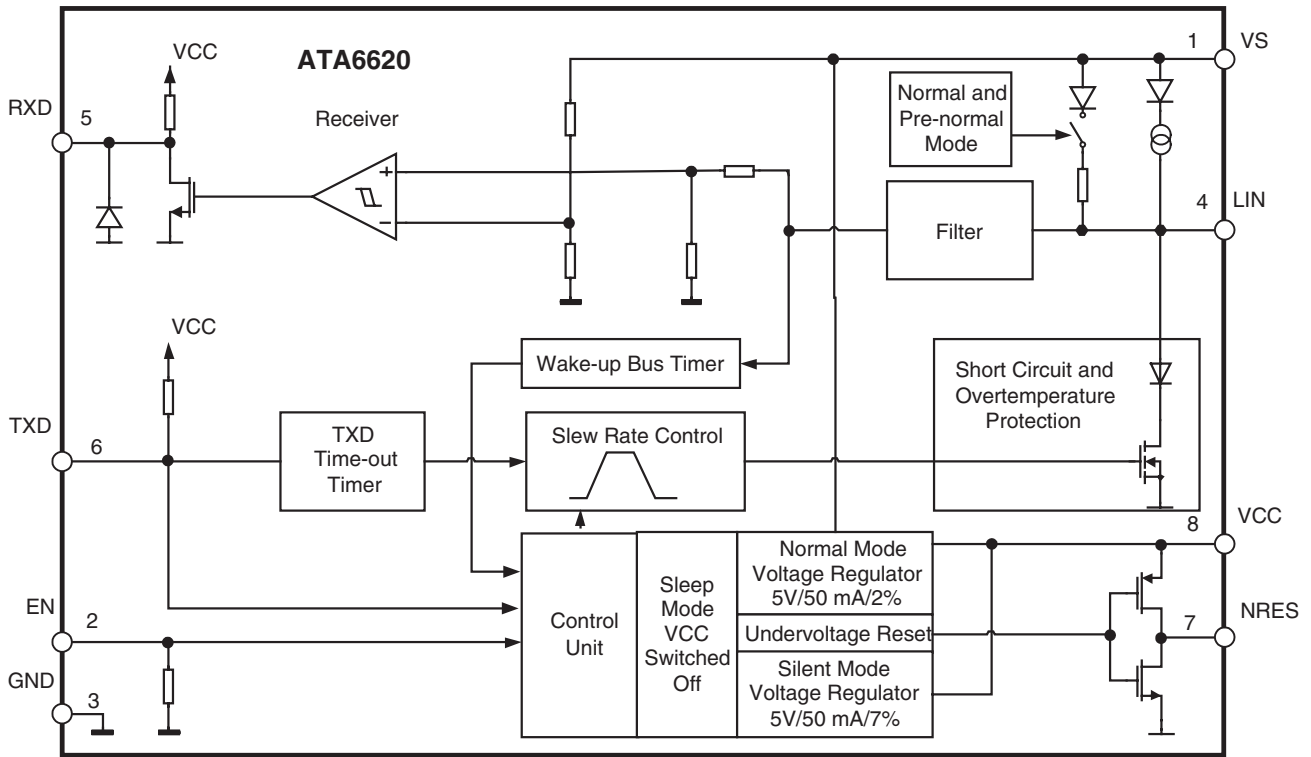


## LIN Bus Transceiver with Integrated Voltage Regulator

**ATA6620**

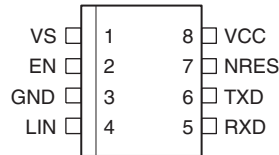


**Figure 1-1.** Block Diagram



## 2. Pin Configuration

**Figure 2-1.** Pinning SO8



**Table 2-1.** Pin Description

Pin	Symbol	Function
1	VS	Battery supply
2	EN	Enables Normal mode if the input is high
3	GND	Ground
4	LIN	LIN bus line input/output
5	RXD	Receive data output
6	TXD	Transmit data input
7	NRES	Output undervoltage reset, low at reset
8	VCC	Output voltage regulator 5V/50 mA

### 3. Functional Description

#### 3.1 Supply Pin (VS)

LIN operating voltage is  $V_S = 5V$  to  $18V$ . An undervoltage detection is implemented to disable transmission if  $V_S$  falls below  $5V$ , in order to avoid false bus messages. After switching on  $V_S$ , the IC starts with the Pre-normal mode and the voltage regulator is switched on (that is,  $5V/50$  mA output capability).

The supply current in Sleep mode is typically  $10 \mu A$  and  $40 \mu A$  in Silent mode.

#### 3.2 Ground Pin (GND)

The IC is neutral on the LIN pin in case of GND disconnection. It is able to handle a ground shift up to  $3V$  for supply voltage above  $9V$  at the VS pin.

#### 3.3 Voltage Regulator Output Pin (VCC)

The internal  $5V$  voltage regulator is capable of driving loads with up to  $50$  mA, supplying the microcontroller and other ICs on the PCB. It is protected against overload by means of current limitation and overtemperature shut-down. Furthermore, the output voltage is monitored and will cause a reset signal at the NRES output pin if it drops below a defined threshold  $V_{thun}$ .

#### 3.4 Undervoltage Reset Output (NRES)

This push-pull output is supplied from the  $V_{CC}$  voltage. If the  $V_{CC}$  voltage falls below the undervoltage detection threshold of  $V_{thun}$ , NRES switches to low after  $tres\_f$  (Figure 4-6 on page 9). Even if  $V_{CC} = 0V$  the NRES stays low, because it is internally driven from the  $V_S$  voltage. If  $V_S$  voltage ramps down, NRES stays low until  $V_S < 1.5V$  and then becomes highly resistant.

The implemented undervoltage delay keeps NRES low for  $t_{Reset} = 10$  ms after  $V_{CC}$  reaches its nominal value.

#### 3.5 Bus Pin (LIN)

A low-side driver with internal current limitation and thermal shutdown, as well as an internal pull-up resistor according to LIN specification 2.0 is implemented. The voltage range is from  $-40V$  to  $+60V$ . This pin exhibits no reverse current from the LIN bus to  $V_S$ , even in the case of a GND shift or  $V_{Batt}$  disconnection. The LIN receiver thresholds are compatible with the LIN protocol specification.

The fall time (from recessive to dominant) and the rise time (from dominant to recessive) are slope controlled. The output has a short-circuit limitation. This is a self-adapting current limitation; that is, during current limitation, as the chip temperature increases, the current decreases.

#### 3.6 Input Pin (TXD)

This pin is the microcontroller interface to control the state of the LIN output. TXD must be pulled to ground in order to drive the LIN bus low. If TXD is high or unconnected (internal pull-up resistor), the LIN output transistor is turned off and the bus is in the recessive state.

### 3.7 Dominant Time-out Function (TXD)

The TXD input has an internal pull-up resistor. An internal timer prevents the bus line from being driven permanently in the dominant state. If TXD is forced to low longer than  $T_{DOM} > 4$  ms, the LIN bus driver is switched to the recessive state. To reset this dominant time-out mode, TXD must be switched to high ( $>10$   $\mu$ s) before normal data transmission can be started.

### 3.8 Output Pin (RXD)

This pin reports the state of the LIN bus to the microcontroller. LIN high (recessive state) is reported by a high level at RXD; LIN low (dominant state) is reported by a low level at RXD. The output has an internal pull-up structure with typically 5 k $\Omega$  to  $V_{CC}$ . The AC characteristics are measured with an external load capacitor of 20 pF.

The output is short-circuit protected. In unpowered mode (that is,  $V_S = 0V$ ), RXD is switched off.

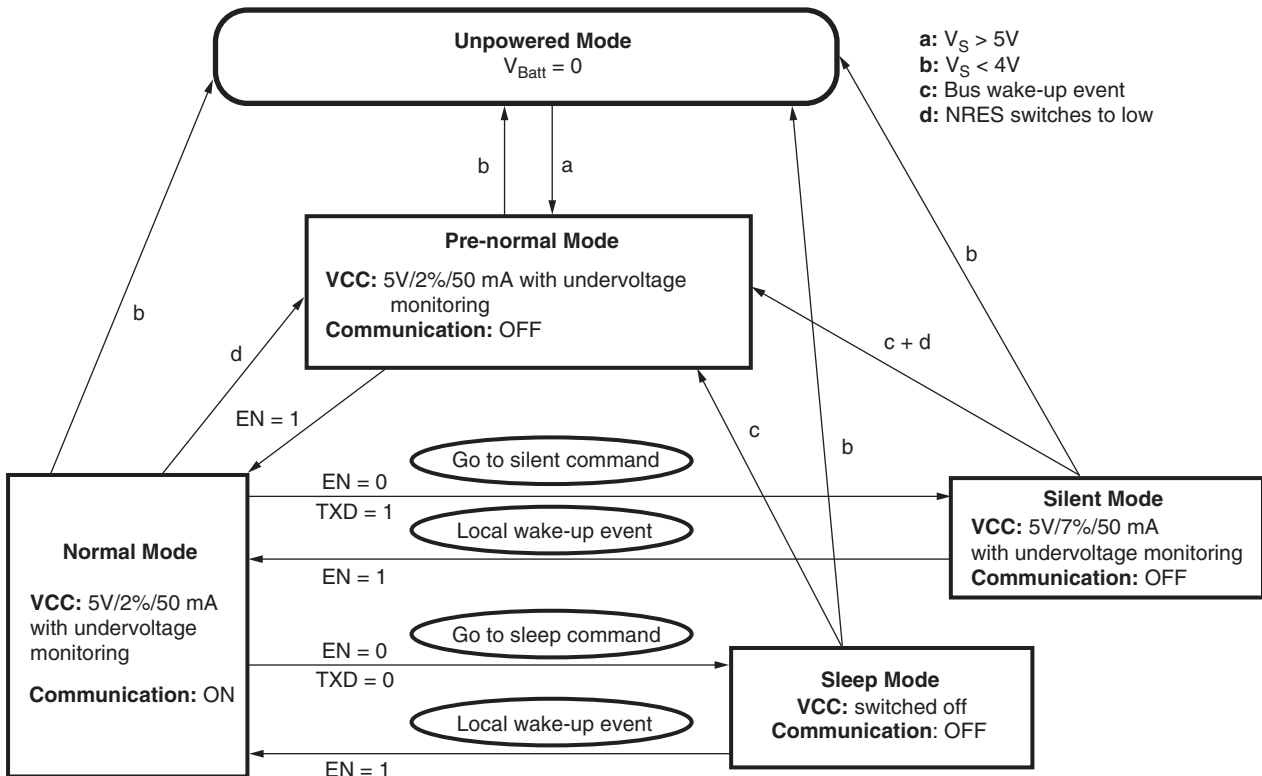
### 3.9 Enable Input Pin (EN)

This pin controls the operation mode of the interface. After power up of  $V_S$  (battery), the IC switches to Pre-normal mode, even if EN is low or unconnected (internal pull-down resistor). If EN is high, the interface is in Normal mode.

A falling edge at EN while TXD is still high forces the device to Silent mode. A falling edge at EN while TXD is low forces the device to Sleep mode.

## 4. Mode of Operation

Figure 4-1. Mode of Operation



**Table 4-1.** Mode of Operation

Mode of Operation	Communication	V <sub>CC</sub>	RXD	LIN
Pre-normal	OFF	5V	5V	Recessive
Normal	ON	5V	5V	Recessive
Silent	OFF	5V	5V	Recessive
Sleep	OFF	0V	0V	Recessive

## 4.1 Normal Mode

This is the normal transmitting and receiving mode of the LIN Interface, in accordance with LIN specification 2.0. The V<sub>CC</sub> voltage regulator operates with a 5V output voltage, with a low tolerance of  $\pm 2\%$  and a maximum output current of 50 mA.

If an undervoltage condition occurs, NRES is switched to low and the ATA6620 changes state to Pre-normal mode. All features are available.

## 4.2 Silent Mode

A falling edge at EN while TXD is high switches the IC into Silent mode. The TXD Signal has to be logic high during the Mode Select window ([Figure 4-2 on page 6](#)). For EN and TXD either two independent outputs can be used, or two outputs from the same microcontroller port; in the second case, the mode change is only one command.

In Silent mode the transmission path is disabled. Supply current from V<sub>Batt</sub> is typically  $I_{V_{SSi}} = 40 \mu\text{A}$  with no load at the V<sub>CC</sub> regulator.

The overall supply current from V<sub>Batt</sub> is the result of 40  $\mu\text{A}$  plus the V<sub>CC</sub> regulator output current  $I_{V_{CCs}}$ .

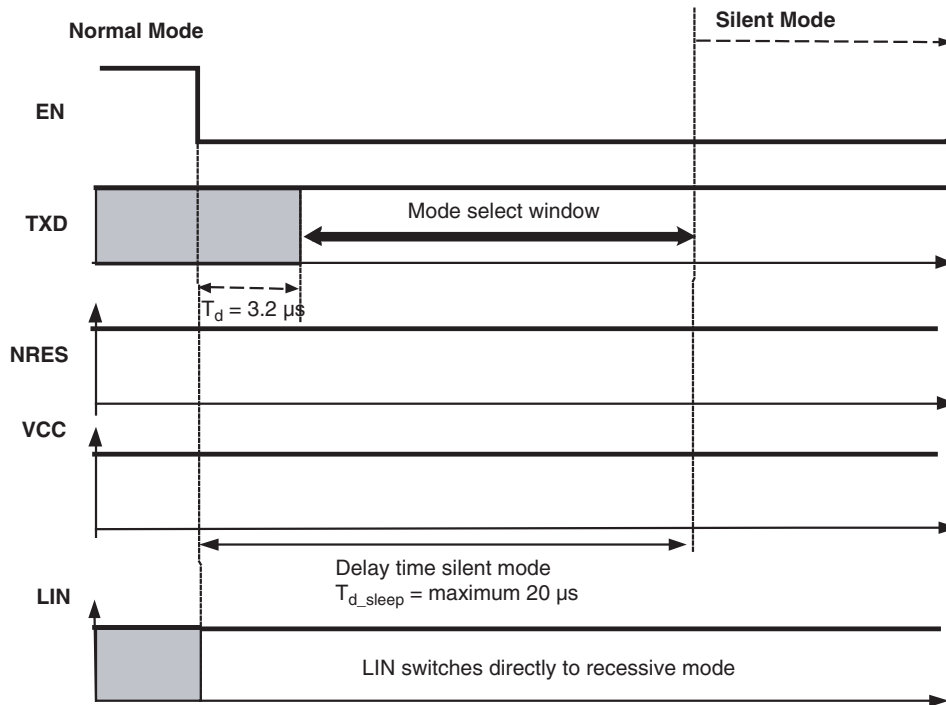
The 5V regulator is in low tolerance mode (4.65V to 5.35V) and can source up to 50 mA. In Silent mode the internal slave termination between pin LIN and pin VS is disabled to minimize the power dissipation in case pin LIN is short-circuited to GND. Only a weak pull-up current (typically 10  $\mu\text{A}$ ) between pin LIN and pin VS is present.

The Silent mode voltage is sufficient to run an external microcontroller on the ECU, for example in Power Down mode. The undervoltage reset is  $V_{CCthS} < 4.4\text{V}$ . If an undervoltage condition occurs, NRES is switched to low and the ATA6620 changes state to Pre-normal mode.

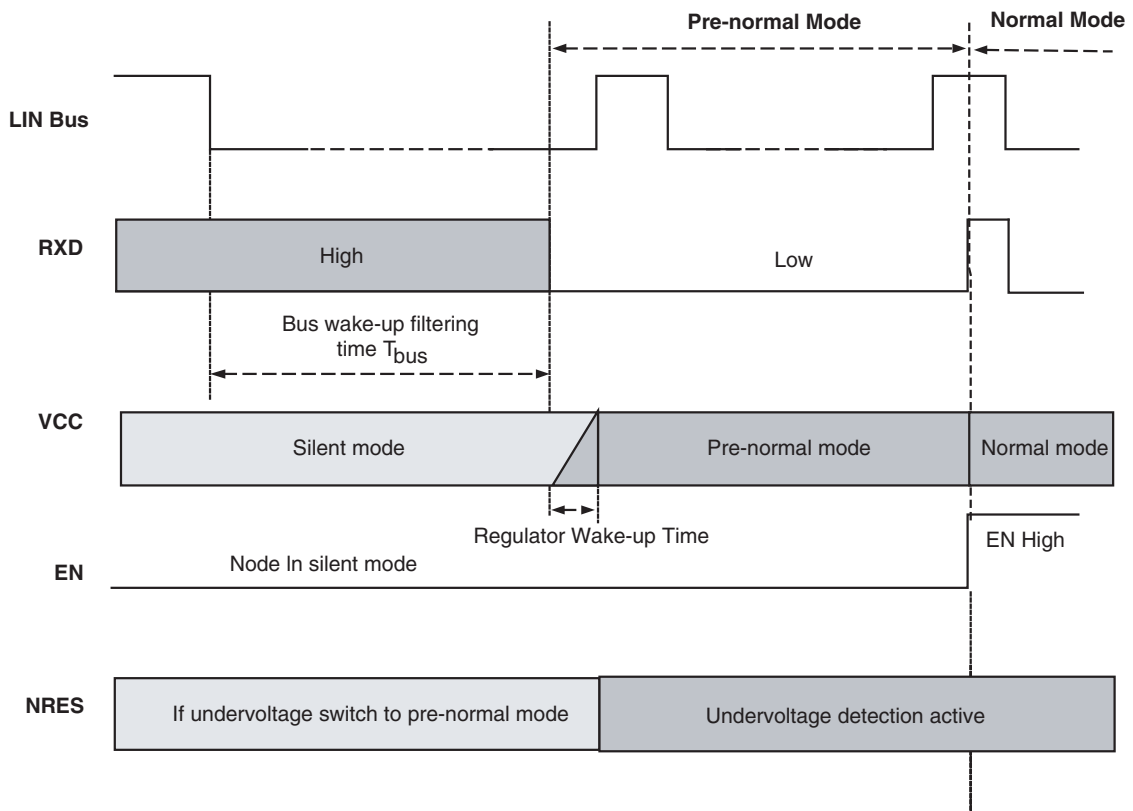
A falling edge at pin LIN followed by a dominant bus level maintained for a certain time period ( $T_{bus}$ ) results in a remote wake-up request. The device switches from Silent mode to Pre-normal mode, then the internal LIN slave termination resistor is switched on. The remote wake-up request is indicated by a low level at pin RXD to interrupt the microcontroller. ([Figure 4-5 on page 8](#))

With EN high, ATA6620 switches directly from Silent to Normal mode.

**Figure 4-2.** Switch to Silent Mode



**Figure 4-3.** LIN Wake-up Waveform Diagram from Silent Mode



### 4.3 Sleep Mode

A falling edge at EN while TXD is low switches the IC into Sleep mode. The TXD Signal has to be logic low during the Mode Select window (Figure 4-4 on page 8). We recommend using the same microcontroller port for EN as for TXD; in this case the mode change is only one command.

In Sleep mode the transmission path is disabled. Supply current from  $V_{Batt}$  is typically  $I_{V_{Ssleep}} = 10 \mu A$ . The  $V_{CC}$  regulator is switched off; NRES and RXD are low. The internal slave termination between pin LIN and pin VS is disabled to minimize the power dissipation in case pin LIN is short-circuited to GND. Only a weak pull-up current (typically  $10 \mu A$ ) between pin LIN and pin VS is present.

A falling edge at pin LIN followed by a dominant bus level maintained for a certain time period ( $T_{bus}$ ) results in a remote wake-up request. The device switches from Sleep mode to Pre-normal mode. The  $V_{CC}$  regulator is activated and the internal LIN slave termination resistor is switched on. The remote wake-up request is indicated by a low level at pin RXD to interrupt the microcontroller (Figure 4-5 on page 8).

With EN high you can switch directly from Silent to Normal mode. In the application where the ATA6620 supplies the microcontroller, the wake-up from Sleep mode is only possible via pin LIN.

### 4.4 Pre-normal Mode

At system power-up the device automatically switches to Pre-normal mode. The voltage regulator is switched on ( $V_{CC} = 5V/50 \text{ mA}$ ) (see Figure 4-6 on page 9) after typically  $t_{VCC} > 300 \mu s$ . The NRES output switches to low for  $t_{res} = 10 \text{ ms}$  and sends a reset to the microcontroller. LIN communication is switched off, and the undervoltage detection is active.

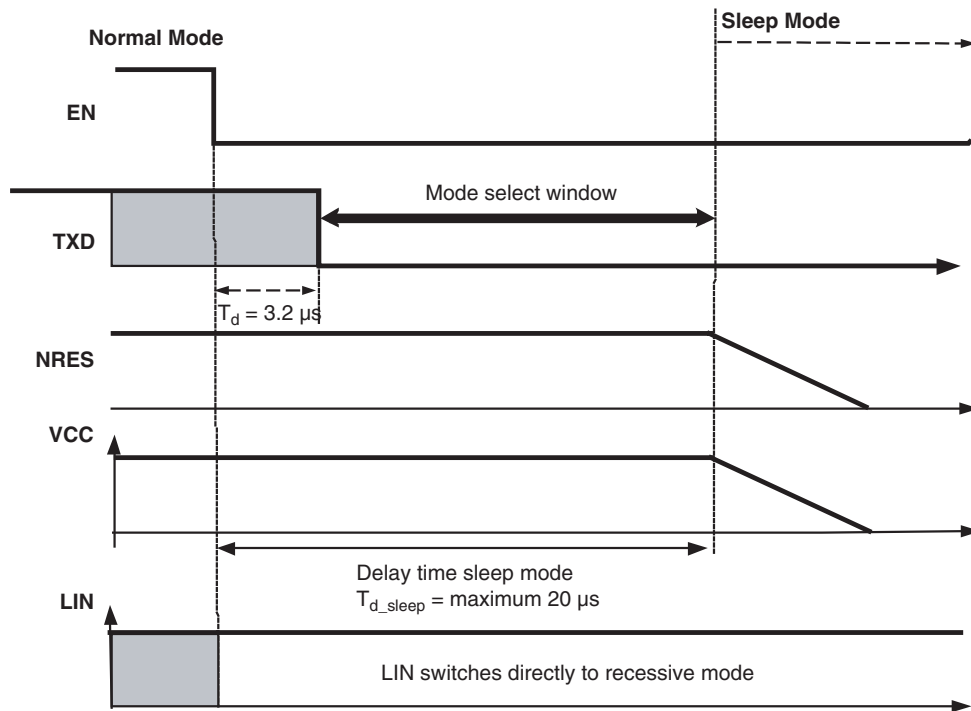
A power-down of  $V_{Batt}$  ( $V_S < 4.15V$ ) during Silent or Sleep mode switches into Pre-normal mode after powering up the IC.

### 4.5 Unpowered Mode

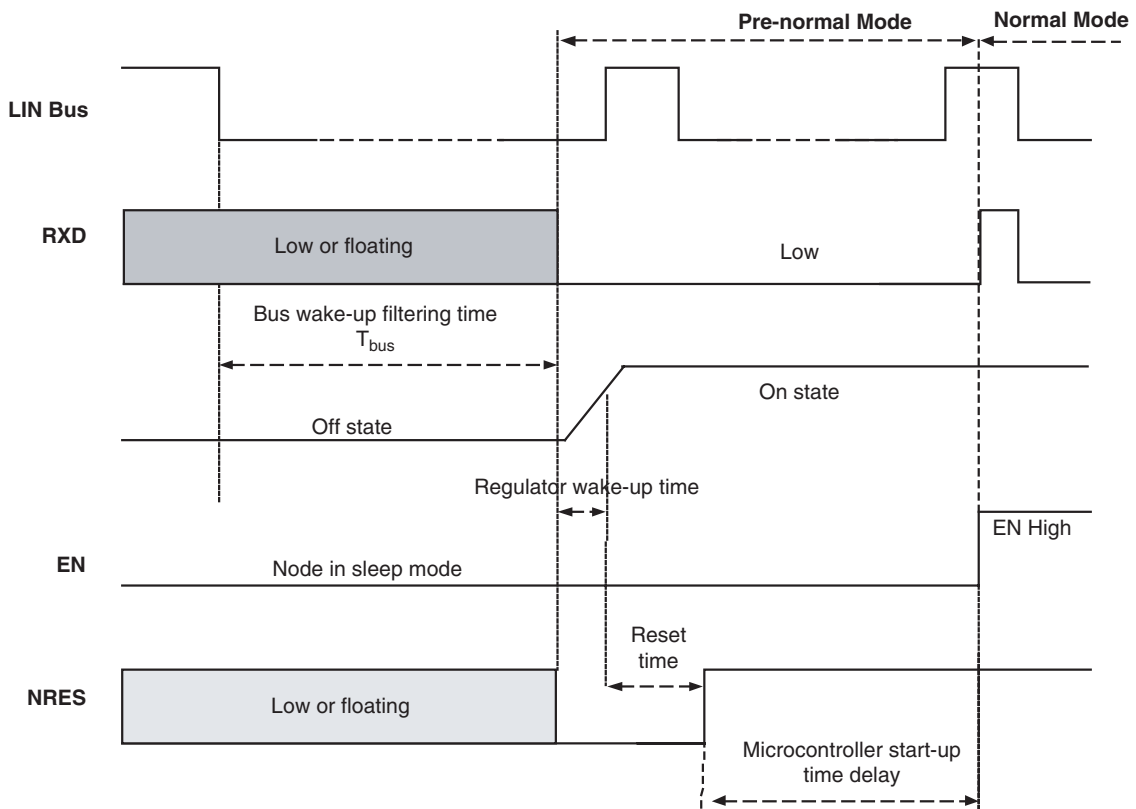
If battery voltage is connected to the application circuit (Figure 4-6 on page 9), the voltage at the VS pin increases due to the block capacitor. When  $V_S$  is higher than the  $V_S$  undervoltage threshold,  $V_{Sth}$ , the IC-mode changes from Unpowered to Pre-normal mode. The  $V_{CC}$  output voltage reaches nominal value after  $t_{VCC}$ . This time depends on the  $V_{CC}$  capacitor and the load.

NRES is low for the reset time delay  $t_{Reset}$ ; no mode change is possible during this time.

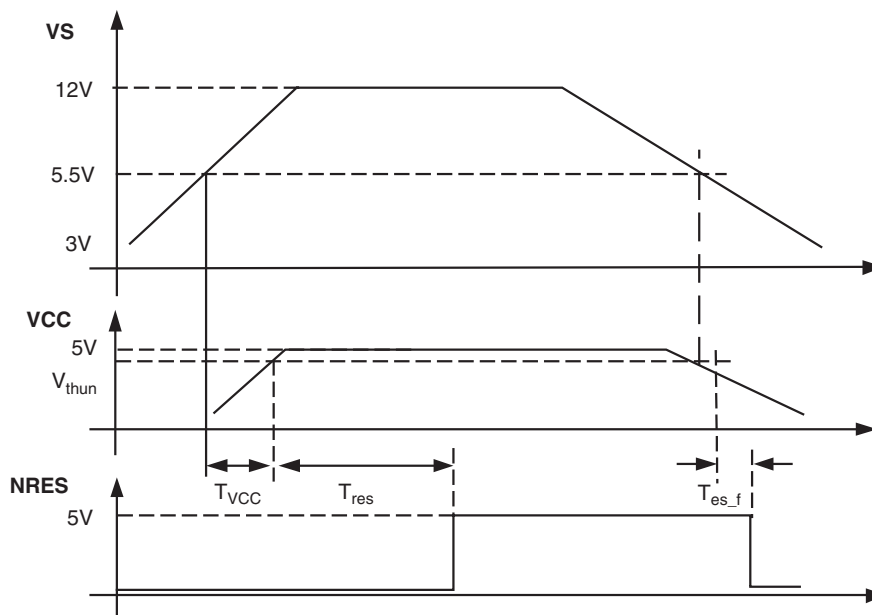
**Figure 4-4.** Switch to Sleep Mode



**Figure 4-5.** LIN Wake-up Diagram from Sleep Mode





**Figure 4-6.**  $V_{CC}$  Voltage Regulator: Ramp Up and Undervoltage

## 5. Fail-safe Features

- During a short circuit at LIN, the output limits the output current to  $I_{BUS\_LIM}$ . Due to the power dissipation, the chip temperature exceeds  $T_{LINoff}$  and the LIN output is switched off. The chip cools down and after a hysteresis of  $T_{hys}$ , switches the output on again. During LIN overtemperature switch-off, the  $V_{CC}$  regulator works independently.
- There are now reverse currents  $< 3 \mu A$  at pin LIN during loss of  $V_{Batt}$  or GND. This is optimal behavior for bus systems where some slave nodes are supplied from battery or ignition.
- During a short circuit at VCC, the output limits the output current to  $I_{VCCn}$ . Because of undervoltage, NRES switches to low and sends a reset to the microcontroller. The IC switches into Pre-normal mode. If the chip temperature exceeds the value  $T_{VCCoff}$ , the  $V_{CC}$  output switches off. The chip cools down and after a hysteresis of  $T_{hys}$ , switches the output on again. Because of Pre-normal mode, the  $V_{CC}$  voltage will switch on again although EN is switched off from the microcontroller. The microcontroller can then start with normal operation.
- Pin EN provides a pull-down resistor to force the transceiver into recessive mode if EN is disconnected.
- Pin RXD is set floating if  $V_{Batt}$  is disconnected.
- Pin TXD provides a pull-up resistor to force the transceiver into recessive mode if TXD is disconnected.

## 6. Voltage Regulator

The voltage regulator needs an external capacitor for compensation and to smooth the disturbances from the microcontroller. It is recommended to use a tantalum capacitor with  $C > 10 \mu\text{F}$  and a ceramic capacitor with  $C = 100 \text{ nF}$ . The values of these capacitors can be varied by the customer, depending on the application.

During mode change from Silent to Normal mode, the voltage regulator ramps up to 6V for only a few microseconds before it drops back to 5V. This behavior depends on the value of the load capacitor. With  $4.7 \mu\text{F}$ , the overshoot voltage has its greatest value. This voltage decreases with higher or lower load capacitors.

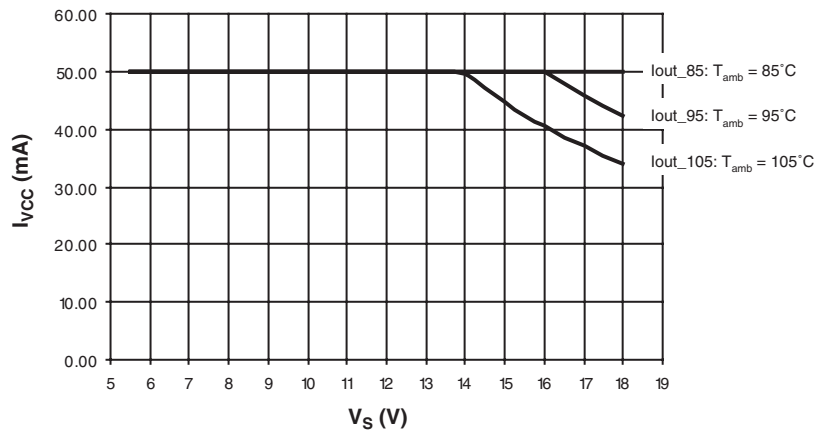
With this special SO8 package (fused lead frame to pin3) an  $R_{\text{thja}}$  of 80 K/W is achieved.

Therefore it is recommended to connect pin 3 with a wide GND plate on the printed board to get a good heat sink.

The main power dissipation of the IC is created from the  $V_{\text{CC}}$  output current  $I_{\text{VCC}}$ , which is needed for the application.

Figure 6-1 shows the safe operating area of the ATA6620.

**Figure 6-1.** Safe Operating Area versus  $V_{\text{CC}}$  Output Current and Supply Voltage  $V_{\text{S}}$  at Different Ambient Temperatures



## 7. Absolute Maximum Ratings

Stresses beyond those listed under “Absolute Maximum Ratings” may cause permanent damage to the device. This is a stress rating only and functional operation of the device at these or any other conditions beyond those indicated in the operational sections of this specification is not implied. Exposure to absolute maximum rating conditions for extended periods may affect device reliability.

Parameters	Symbol	Min.	Typ.	Max.	Unit
Supply voltage $V_S$	$V_S$	-0.3		+40	V
Pulse time $\leq 500$ ms T = 25°C Output current $I_{VCC} \leq 50$ mA	$V_S$			+40	V
Pulse time $\leq 2$ min T = 25°C Output current $I_{VCC} \leq 50$ mA	$V_S$			27	V
Logic pins (RxD, TxD, EN, NRES)		-0.3		+6.5	V
LIN - DC voltage - Transient voltage		-40 -150		+60 +100	V V
$V_{CC}$ - DC voltage		-0.3		+6.5	V
ESD (DIN EN 6100-4-2) Pin LIN, $V_S$ versus GND according to LIN specification EMC Evaluation V 1.3		-6		+6	kV
HBM ESD S5.1 – all pins		-3		+3	kV
CDM ESD STM 5.3.1-1999 - All pins		-1000		+1000	V
Junction temperature	$T_j$	-40		+150	°C
Storage temperature	$T_s$	-55		+150	°C
Operating ambient temperature	$T_a$	-40		+125	°C
Thermal resistance junction to ambient (free air)	$R_{thja}$			145	K/W
Special heat sink at GND (pin 3) on PCB	$R_{thja}$		80		K/W
Thermal shutdown of $V_{CC}$ regulator	$T_{VCCoff}$	150	160	170	°C
Thermal shutdown of LIN output	$T_{LINoff}$	150	160	170	°C
Thermal shutdown hysteresis	$T_{hys}$		10		°C

## 8. Electrical Characteristics

$5V < V_S < 18V$ ,  $T_{amb} = -40^{\circ}C$  to  $125^{\circ}C$

No.	Parameters	Test Conditions	Pin	Symbol	Min.	Typ.	Max.	Unit	Type*
<b>1</b>	<b>VS Pin</b>								
1.1	Nominal DC voltage range		VS	$V_S$	5	13.5	18	V	A
1.2	Supply current in Sleep mode	Sleep mode $V_{in} > V_{Batt} - 0.5V$ $V_{Batt} < 14V$ ( $25^{\circ}C$ to $125^{\circ}C$ )	VS	$I_{VSsleep}$		10	20	$\mu A$	A
1.3	Supply current in Silent mode	Bus recessive; $V_{Batt} < 14V$ ( $25^{\circ}C$ to $125^{\circ}C$ ) Without load at $V_{CC}$	VS	$I_{VSsi}$		40	50	$\mu A$	A
1.4	Supply current in Normal mode	Bus recessive Without load at $V_{CC}$	VS	$I_{VSrec}$			4	mA	A
1.5	Supply current in Normal mode	Bus dominant $V_{CC}$ load current 50 mA	VS	$I_{VSdom}$			55	mA	A
1.6	Power On Reset threshold		VS	$POR_{th}$	3		3.3	V	D
1.7	Power On Reset threshold hysteresis		VS	$POR_{hys}$		0.1		V	D
1.8	$V_S$ undervoltage threshold		VS	$V_{Sth}$	4.15	4.5	5	V	A
1.9	VS undervoltage threshold hysteresis		VS	$V_{Sth\_hys}$		0.2		V	A
<b>2</b>	<b>RXD Output Pin</b>								
2.1	Low level input current	Normal mode; $V_{LIN} = 0V$ $V_{RXD} = 0.4V$	RXD	$I_{RXD}$	2	5	8	mA	A
2.2	Low level output voltage	$I_{RXD} = 1$ mA	RXD	$V_{RXDL}$			0.3	V	A
2.3	Internal resistor to $V_{CC}$		RXD	$R_{RXD}$	3	5	7	k $\Omega$	A
<b>3</b>	<b>TXD Input Pin</b>								
3.1	Low level voltage input		TXD	$V_{TXDL}$	-0.3		+1.5	V	A
3.2	High level voltage input		TXD	$V_{TXDH}$	3.5		$V_{CC} + 0.3V$	V	A
3.3	Pull-up resistor	$V_{TXD} = 0V$	TXD	$R_{TXD}$	125	250	600	k $\Omega$	A
3.4	High level leakage current	$V_{TXD} = 5V$	TXD	$I_{TXD}$	-3		+3	$\mu A$	A
<b>4</b>	<b>EN Input Pin</b>								
4.1	Low level voltage input		EN	$V_{ENL}$	-0.3		+1.5	V	A
4.2	High level voltage input		EN	$V_{ENH}$	3.5		$V_{CC} + 0.3V$	V	A
4.3	Pull-down resistor	$V_{EN} = 5V$	EN	$R_{EN}$	125	250	600	k $\Omega$	A
4.4	Low level input current	$V_{EN} = 0V$	EN	$I_{EN}$	-3		+3	$\mu A$	A

\*) Type means: A = 100% tested, B = 100% correlation tested, C = Characterized on samples, D = Design parameter

## 8. Electrical Characteristics (Continued)

5V < V<sub>S</sub> < 18V, T<sub>amb</sub> = -40°C to 125°C

No.	Parameters	Test Conditions	Pin	Symbol	Min.	Typ.	Max.	Unit	Type*
<b>5</b>	<b>NRES Output Pin</b>								
5.1	High level output voltage	V <sub>S</sub> ≥ 5.5V; I <sub>NRES</sub> = -1 mA	NRES	V <sub>NRESH</sub>	4.5			V	A
5.2	Low level output voltage	V <sub>S</sub> ≥ 5.5V; I <sub>NRES</sub> = -1 mA I <sub>NRES</sub> = -250 μA	NRES	V <sub>NRESL</sub> V <sub>NRESL</sub>			0.2 0.14	V V	A A
5.3	Low level output low	10 kΩ to V <sub>CC</sub> ; V <sub>CC</sub> = 0.8V	NRES	V <sub>NRESLL</sub>			0.2	V	A
5.4	Undervoltage reset time	V <sub>VS</sub> ≥ 5.5V C <sub>NRES</sub> = 20 pF	NRES	t <sub>Reset</sub>	7		13	ms	A
5.5	Reset debounce time for falling edge	V <sub>VS</sub> ≥ 5.5V C <sub>NRES</sub> = 20 pF	NRES	t <sub>res_f</sub>			3	μs	A
<b>6</b>	<b>Voltage Regulator VCC Pin in Normal and Pre-normal Mode</b>								
6.1	Output voltage V <sub>CC</sub>	5.5V < V <sub>S</sub> < 18V (0 mA – 50 mA)	VCC	V <sub>CCnor</sub>	4.9		5.1	V	A
6.2	Output voltage V <sub>CC</sub> at low V <sub>S</sub>	3.3V < V <sub>S</sub> < 5.5V	VCC	V <sub>CClow</sub>			V <sub>VS</sub> - V <sub>D</sub> 5.1	V	A
6.3	Regulator drop voltage	V <sub>S</sub> > 4.0V, I <sub>VCC</sub> = -20 mA	VCC	V <sub>D</sub>			250	mV	A
6.4	Regulator drop voltage	V <sub>S</sub> > 4.0V, I <sub>VCC</sub> = -50 mA	VCC	V <sub>D</sub>			500	mV	A
6.5	Regulator drop voltage	V <sub>S</sub> > 3.3V, I <sub>VCC</sub> = -15 mA	VCC	V <sub>D</sub>			200	mV	A
6.6	Output current	V <sub>S</sub> > 3V	VCC	I <sub>VCC</sub>	-50			mA	A
6.7	Output current limitation	V <sub>S</sub> > 0V	VCC	I <sub>VCCs</sub>	-200	-130		mA	A
6.8	Load capacity	1Ω < ESR < 5Ω	VCC	C <sub>load</sub>	1.8	2.2		μF	D
6.9	V <sub>CC</sub> undervoltage threshold	Referred to V <sub>CC</sub> V <sub>S</sub> > 5.5V	VCC	V <sub>thunN</sub>	4.4		4.8	V	A
6.10	Hysteresis of undervoltage threshold	Referred to V <sub>CC</sub> V <sub>S</sub> > 5.5V	VCC	V <sub>hysthun</sub>	30			mV	A
6.11	Ramp up time V <sub>S</sub> > 5.5V to V <sub>CC</sub> > 4.9V	C <sub>VCC</sub> = 4.7 μF No load	VCC	t <sub>VCC</sub>			300	μs	A
<b>7</b>	<b>Voltage Regulator VCC Pin in Silent Mode</b>								
7.1	Output voltage V <sub>CC</sub>	5.5V < V <sub>S</sub> < 18V (0 mA – 50 mA)	VCC	V <sub>CCnor</sub>	4.65		5.35	V	A
7.2	Output voltage V <sub>CC</sub> at low V <sub>S</sub>	3.3V < V <sub>S</sub> < 5.5V (0 mA – 50 mA)	VCC	V <sub>CClow</sub>			V <sub>VS</sub> - V <sub>D</sub> 5.1	V	A
7.3	Regulator drop voltage	V <sub>S</sub> > 3.3V, I <sub>VCC</sub> = 15 mA	VCC	V <sub>D</sub>			200	mV	A
7.4	At V <sub>CC</sub> undervoltage threshold the state switches back to Pre-normal mode	Referred to V <sub>CC</sub> V <sub>S</sub> > 5.5	VCC	V <sub>thunS</sub>	3.9		4.4	V	A
7.5	Hysteresis of undervoltage threshold	Referred to V <sub>CC</sub> V <sub>S</sub> > 5.5V	VCC	V <sub>hysthun</sub>	40			mV	D
7.6	Output current limitation	V <sub>S</sub> > 0V	VCC	I <sub>VCCs</sub>	-200	-130		mA	A

\*) Type means: A = 100% tested, B = 100% correlation tested, C = Characterized on samples, D = Design parameter

## 8. Electrical Characteristics (Continued)

5V < V<sub>S</sub> < 18V, T<sub>amb</sub> = -40°C to 125°C

No.	Parameters	Test Conditions	Pin	Symbol	Min.	Typ.	Max.	Unit	Type*
<b>8</b>	<b>LIN Bus Driver: Bus Load Conditions: Load 1 (Small): 1 nF, 1 kΩ; Load 2 (Large): 10 nF, 500Ω; R<sub>RXD</sub> = 5 kΩ; C<sub>RXD</sub> = 20 pF 10.5, 10.6 and 10.7 Specifies the Timing Parameters for Proper Operation at 20 Kbps</b>								
8.1	Driver recessive output voltage	Load1/Load2	LIN	V <sub>BUSrec</sub>	0.9 × V <sub>S</sub>		V <sub>S</sub>	V	A
8.2	Driver dominant voltage	V <sub>VS</sub> = 7V R <sub>load</sub> = 500 Ω	LIN	V <sub>LoSUP</sub>			1.2	V	A
8.3	Driver dominant voltage	V <sub>VS</sub> = 18V R <sub>load</sub> = 500 Ω	LIN	V <sub>HiSUP</sub>			2	V	A
8.4	Driver dominant voltage	V <sub>VS</sub> = 7V R <sub>load</sub> = 1000 Ω	LIN	V <sub>LoSUP_1k</sub>	0.6			V	A
8.5	Driver dominant voltage	V <sub>VS</sub> = 18V R <sub>load</sub> = 1000 Ω	LIN	V <sub>HiSUP_1k</sub>	0.8			V	A
8.6	Pull-up resistor to V <sub>S</sub>	The serial diode is mandatory	LIN	R <sub>LIN</sub>	20	30	60	kΩ	A
8.7	Self-adapting current limitation V <sub>BUS</sub> = V <sub>Batt_max</sub>	T <sub>j</sub> = 125°C T <sub>j</sub> = 27°C T <sub>j</sub> = -40°C	LIN	I <sub>BUS_LIM</sub>	52 100 120		110 170 230	mA mA mA	A
8.8	Input leakage current at the receiver including pull-up resistor as specified	Input Leakage current Driver off V <sub>BUS</sub> = 0V V <sub>Batt</sub> = 12V	LIN	I <sub>BUS_PAS_dom</sub>	-1			mA	A
8.9	Leakage current LIN recessive	Driver off 8V < V <sub>Batt</sub> < 18V 8V < V <sub>BUS</sub> < 18V V <sub>BUS</sub> ≥ V <sub>Batt</sub>	LIN	I <sub>BUS_PAS_rec</sub>		15	20	μA	A
8.10	Leakage current when control unit disconnected from ground. Loss of local ground must not affect communication in the residual network	GND <sub>Device</sub> = V <sub>S</sub> V <sub>Batt</sub> = 12V 0V < V <sub>BUS</sub> < 18V	LIN	I <sub>BUS_NO_gnd</sub>	-10	+0.5	+10	μA	A
8.11	Node has to sustain the current that can flow under this condition. Bus must remain operational under this condition	V <sub>Batt</sub> disconnected V <sub>SUP_Device</sub> = GND 0V < V <sub>BUS</sub> < 18V	LIN	I <sub>BUS</sub>		0.5	3	μA	A

\*) Type means: A = 100% tested, B = 100% correlation tested, C = Characterized on samples, D = Design parameter

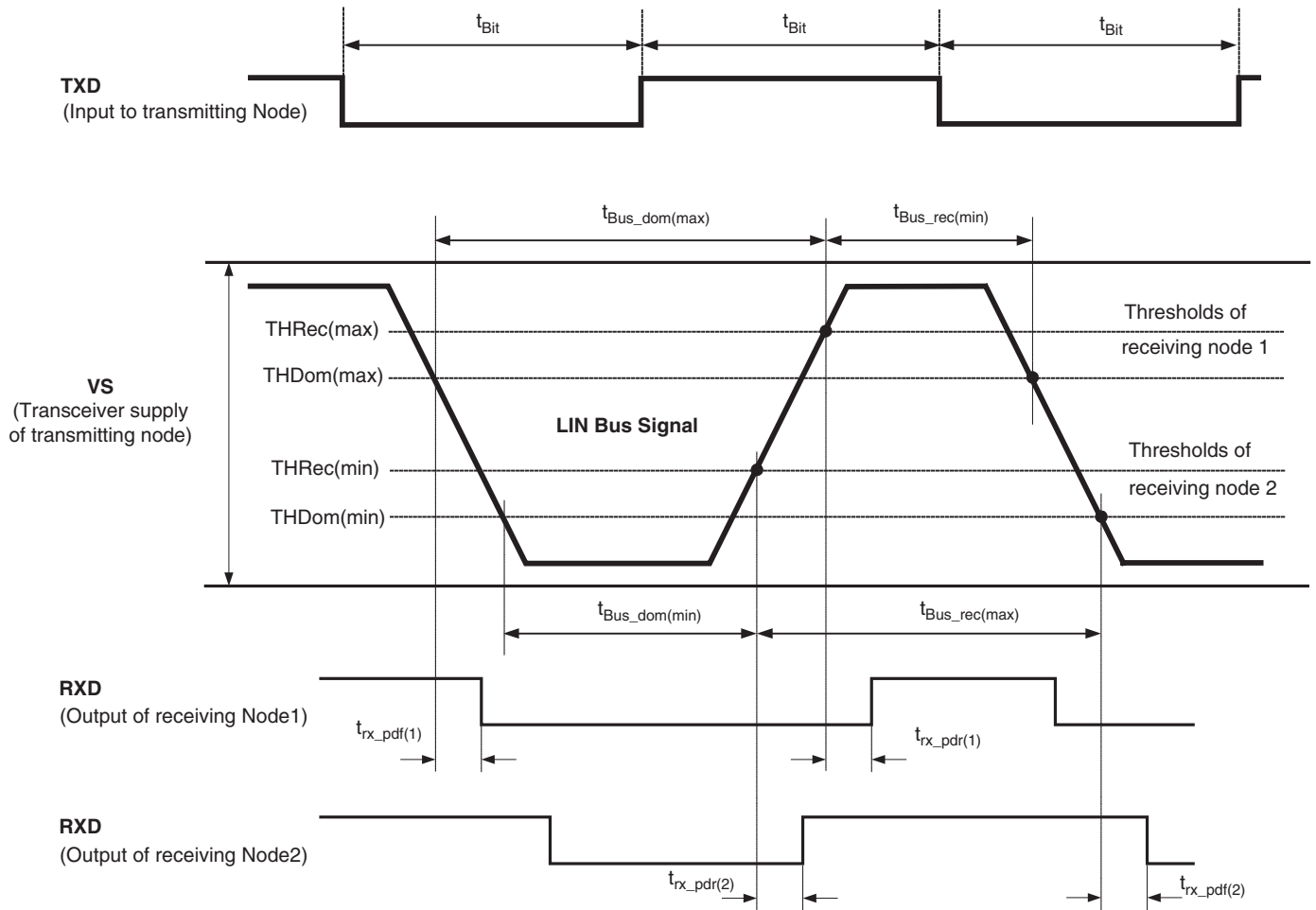
## 8. Electrical Characteristics (Continued)

5V < V<sub>S</sub> < 18V, T<sub>amb</sub> = -40°C to 125°C

No.	Parameters	Test Conditions	Pin	Symbol	Min.	Typ.	Max.	Unit	Type*
<b>9</b>	<b>LIN Bus Receiver</b>								
9.1	Center of receiver threshold	$V_{BUS\_CNT} = (V_{th\_dom} + V_{th\_rec})/2$	LIN	V <sub>BUS_CNT</sub>	$0.475 \times V_S$	$0.5 \times V_S$	$0.525 \times V_S$	V	A
9.2	Receiver dominant state	V <sub>EN</sub> = 5V	LIN	V <sub>BUSdom</sub>	-27		$0.4 \times V_S$	V	A
9.3	Receiver recessive state	V <sub>EN</sub> = 5V	LIN	V <sub>BUSrec</sub>	$0.6 \times V_S$		40	V	A
9.4	Receiver input hysteresis	V <sub>hys</sub> = V <sub>th_rec</sub> - V <sub>th_dom</sub>	LIN	V <sub>BUShys</sub>	$0.028 \times V_S$	$0.1 \times V_S$	$0.175 \times V_S$	V	A
9.5	Wake detection LIN High level input voltage		LIN	V <sub>LINH</sub>	V <sub>S</sub> - 1V		V <sub>S</sub> + 0.3V	V	A
9.6	Wake detection LIN Low level input voltage	I <sub>LIN</sub> = typically -3 mA	LIN	V <sub>LINL</sub>	-27		V <sub>S</sub> - 3.3V	V	A
<b>10</b>	<b>Internal Timers</b>								
10.1	Dominant time for wake-up via LIN bus	V <sub>LIN</sub> = 0V		t <sub>bus</sub>	30	90	150	μs	A
10.2	Time delay for mode change from Pre-normal into Normal mode via pin EN	V <sub>EN</sub> = 5V		t <sub>norm</sub>	5		20	μs	A
10.3	Time delay for mode change from Normal mode to Sleep mode via pin EN	V <sub>EN</sub> = 0V		t <sub>sleep</sub>	2	7	15	μs	A
10.4	TXD dominant time out timer	V <sub>TXD</sub> = 0V		t <sub>dom</sub>	5	10	20	ms	A
10.5	Duty cycle 1	TH <sub>Rec(max)</sub> = 0.744 × V <sub>S</sub> ; TH <sub>Dom(max)</sub> = 0.581 × V <sub>S</sub> ; V <sub>S</sub> = 7.0V to 18V; t <sub>Bit</sub> = 50 ms D1 = t <sub>bus_rec(min)</sub> / (2 × t <sub>Bit</sub> )		D1	0.396				A
10.6	Duty cycle 2	TH <sub>Rec(min)</sub> = 0.422 × V <sub>S</sub> ; TH <sub>Dom(min)</sub> = 0.284 × V <sub>S</sub> ; V <sub>S</sub> = 7.0V to 18V; t <sub>Bit</sub> = 50ms D2 = t <sub>bus_rec(max)</sub> / (2 × t <sub>Bit</sub> )		D2			0.581		A
10.7	Slope time falling and rising edge at LIN			t <sub>SLOPE_fall</sub> t <sub>SLOPE_rise</sub>	3.5		22.5	μs	A
<b>11</b>	<b>Receiver Electrical AC Parameters of the LIN Physical Layer</b>								
<b>LIN Receiver, RXD Load Conditions (C<sub>RXD</sub>): 20 pF; R<sub>pull-up</sub> = 2.4 kΩ</b>									
11.1	Propagation delay of receiver <a href="#">Figure 4-4</a>	t <sub>rec_pd</sub> = max(t <sub>rx_pdr</sub> , t <sub>rx_pdf</sub> )		t <sub>rx_pd</sub>			6	μs	A
11.2	Symmetry of receiver propagation delay rising edge minus falling edge	t <sub>rx_sym</sub> = t <sub>rx_pdr</sub> - t <sub>rx_pdf</sub>		t <sub>rx_sym</sub>	-2		+2	μs	A

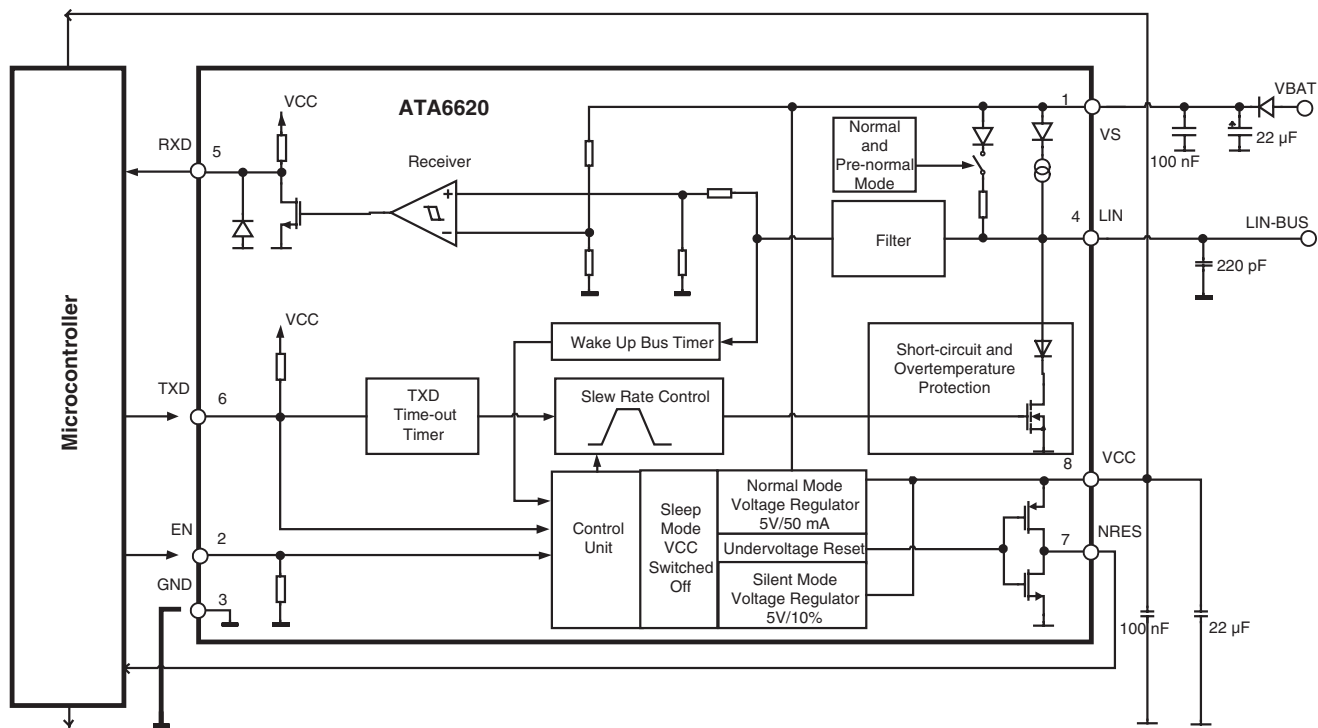
\*) Type means: A = 100% tested, B = 100% correlation tested, C = Characterized on samples, D = Design parameter

**Figure 8-1.** Definition of Bus Timing Characteristics





**Figure 8-2.** Application Circuit



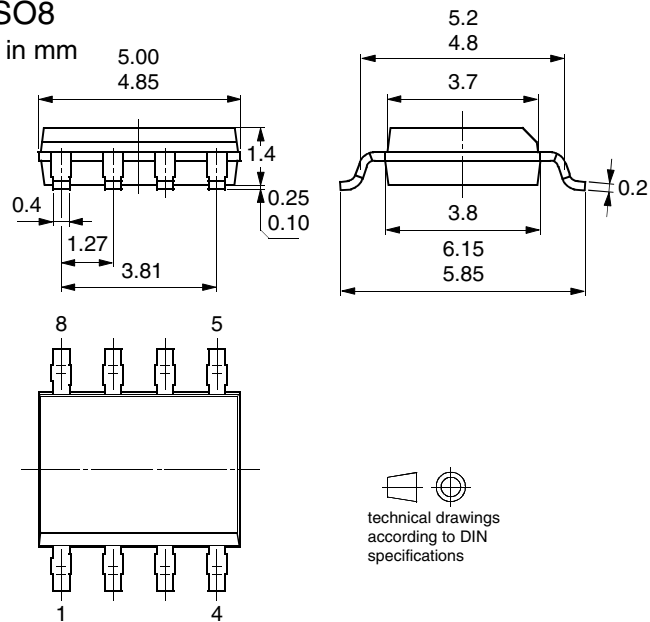
## 9. Ordering Information

Extended Type Number	Package	Remarks
ATA6620-TAQY	SO8	LIN System Basis Chip, Pb-free

## 10. Package Information

### Package SO8

Dimensions in mm



## 11. Revision History

Please note that the following page numbers referred to in this section refer to the specific revision mentioned, not to this document.

Revision No.	History
4850D-AUTO-02/06	<ul style="list-style-type: none"><li>• Section 3.5 “Bus Pin (LIN)” on page 3 changed</li><li>• Figure 4-1 “Mode of Operation” on page 4 changed</li><li>• Figure 4-3 “LIN Wake-up Waveform Diagram from Silent Mode” on page 6 changed</li><li>• Section 4.4 “Pre-normal Mode” on page 7 changed</li><li>• Section 6 “Voltage Regulator” on page 10 changed</li><li>• Figure 6-1 “Save Operating Area versus <math>V_{CC}</math> Output Current and Supply Voltage <math>V_S</math> at Different Ambient Temperatures” on page 10 changed</li><li>• Table “Absolute Maximum Ratings” on page 11 changed</li><li>• Table “Electrical Characteristics” from pages 12 to 15 changed</li></ul>



## Atmel Corporation

2325 Orchard Parkway  
San Jose, CA 95131, USA  
Tel: 1(408) 441-0311  
Fax: 1(408) 487-2600

## Regional Headquarters

### Europe

Atmel Sarl  
Route des Arsenaux 41  
Case Postale 80  
CH-1705 Fribourg  
Switzerland  
Tel: (41) 26-426-5555  
Fax: (41) 26-426-5500

### Asia

Room 1219  
Chinachem Golden Plaza  
77 Mody Road Tsimshatsui  
East Kowloon  
Hong Kong  
Tel: (852) 2721-9778  
Fax: (852) 2722-1369

### Japan

9F, Tonetsu Shinkawa Bldg.  
1-24-8 Shinkawa  
Chuo-ku, Tokyo 104-0033  
Japan  
Tel: (81) 3-3523-3551  
Fax: (81) 3-3523-7581

## Atmel Operations

### Memory

2325 Orchard Parkway  
San Jose, CA 95131, USA  
Tel: 1(408) 441-0311  
Fax: 1(408) 436-4314

### Microcontrollers

2325 Orchard Parkway  
San Jose, CA 95131, USA  
Tel: 1(408) 441-0311  
Fax: 1(408) 436-4314

La Chantrerie  
BP 70602  
44306 Nantes Cedex 3, France  
Tel: (33) 2-40-18-18-18  
Fax: (33) 2-40-18-19-60

### ASIC/ASSP/Smart Cards

Zone Industrielle  
13106 Rousset Cedex, France  
Tel: (33) 4-42-53-60-00  
Fax: (33) 4-42-53-60-01

1150 East Cheyenne Mtn. Blvd.  
Colorado Springs, CO 80906, USA  
Tel: 1(719) 576-3300  
Fax: 1(719) 540-1759

Scottish Enterprise Technology Park  
Maxwell Building  
East Kilbride G75 0QR, Scotland  
Tel: (44) 1355-803-000  
Fax: (44) 1355-242-743

### RF/Automotive

Theresienstrasse 2  
Postfach 3535  
74025 Heilbronn, Germany  
Tel: (49) 71-31-67-0  
Fax: (49) 71-31-67-2340

1150 East Cheyenne Mtn. Blvd.  
Colorado Springs, CO 80906, USA  
Tel: 1(719) 576-3300  
Fax: 1(719) 540-1759

### Biometrics/Imaging/Hi-Rel MPU/ High Speed Converters/RF Datacom

Avenue de Rochepleine  
BP 123  
38521 Saint-Egreve Cedex, France  
Tel: (33) 4-76-58-30-00  
Fax: (33) 4-76-58-34-80

---

### Literature Requests

[www.atmel.com/literature](http://www.atmel.com/literature)

**Disclaimer:** The information in this document is provided in connection with Atmel products. No license, express or implied, by estoppel or otherwise, to any intellectual property right is granted by this document or in connection with the sale of Atmel products. **EXCEPT AS SET FORTH IN ATMEL'S TERMS AND CONDITIONS OF SALE LOCATED ON ATMEL'S WEB SITE, ATMEL ASSUMES NO LIABILITY WHATSOEVER AND DISCLAIMS ANY EXPRESS, IMPLIED OR STATUTORY WARRANTY RELATING TO ITS PRODUCTS INCLUDING, BUT NOT LIMITED TO, THE IMPLIED WARRANTY OF MERCHANTABILITY, FITNESS FOR A PARTICULAR PURPOSE, OR NON-INFRINGEMENT. IN NO EVENT SHALL ATMEL BE LIABLE FOR ANY DIRECT, INDIRECT, CONSEQUENTIAL, PUNITIVE, SPECIAL OR INCIDENTAL DAMAGES (INCLUDING, WITHOUT LIMITATION, DAMAGES FOR LOSS OF PROFITS, BUSINESS INTERRUPTION, OR LOSS OF INFORMATION) ARISING OUT OF THE USE OR INABILITY TO USE THIS DOCUMENT, EVEN IF ATMEL HAS BEEN ADVISED OF THE POSSIBILITY OF SUCH DAMAGES.** Atmel makes no representations or warranties with respect to the accuracy or completeness of the contents of this document and reserves the right to make changes to specifications and product descriptions at any time without notice. Atmel does not make any commitment to update the information contained herein. Unless specifically provided otherwise, Atmel products are not suitable for, and shall not be used in, automotive applications. Atmel's products are not intended, authorized, or warranted for use as components in applications intended to support or sustain life.

© Atmel Corporation 2006. All rights reserved. Atmel®, logo and combinations thereof, Everywhere You Are® and others, are registered trademarks or trademarks of Atmel Corporation or its subsidiaries. Other terms and product names may be trademarks of others.



Printed on recycled paper.

4850D-AUTO-02/06