
EM78156E

**8-Bit Microcontroller
with MASK ROM**

**Product
Specification**

Doc. VERSION 1.3

ELAN MICROELECTRONICS CORP.

July 2004



Trademark Acknowledgments:

IBM is a registered trademark and PS/2 is a trademark of IBM.

Windows is a trademark of Microsoft Corporation.

ELAN and ELAN logo  are trademarks of ELAN Microelectronics Corporation.

Copyright © 2005 by ELAN Microelectronics Corporation

All Rights Reserved

Printed in Taiwan

The contents of this specification are subject to change without further notice. ELAN Microelectronics assumes no responsibility concerning the accuracy, adequacy, or completeness of this specification. ELAN Microelectronics makes no commitment to update, or to keep current the information and material contained in this specification. Such information and material may change to conform to each confirmed order.

In no event shall ELAN Microelectronics be made responsible for any claims attributed to errors, omissions, or other inaccuracies in the information or material contained in this specification. ELAN Microelectronics shall not be liable for direct, indirect, special incidental, or consequential damages arising from the use of such information or material.

The software (if any) described in this specification is furnished under a license or nondisclosure agreement, and may be used or copied only in accordance with the terms of such agreement.

ELAN Microelectronics products are not intended for use in life support appliances, devices, or systems. Use of ELAN Microelectronics product in such applications is not supported and is prohibited.

NO PART OF THIS SPECIFICATION MAY BE REPRODUCED OR TRANSMITTED IN ANY FORM OR BY ANY MEANS WITHOUT THE EXPRESSED WRITTEN PERMISSION OF ELAN MICROELECTRONICS.



ELAN MICROELECTRONICS CORPORATION

Headquarters:

No. 12, Innovation Road 1
Hsinchu Science Park
Hsinchu, Taiwan 30077
Tel: +886 3 563-9977
Fax: +886 3 563-9966
<http://www.emc.com.tw>

Hong Kong:

Elan (HK) Microelectronics Corporation, Ltd.
Rm. 1005B, 10/F Empire Centre
68 Mody Road, Tsimshatsui
Kowloon, HONG KONG
Tel: +852 2723-3376
Fax: +852 2723-7780
elanhk@emc.com.hk

USA:

Elan Information Technology Group
1821 Saratoga Ave., Suite 250
Saratoga, CA 95070
USA
Tel: +1 408 366-8223
Fax: +1 408 366-8220

Europe:

Elan Microelectronics Corp. (Europe)
Siewerdstrasse 105
8050 Zurich, SWITZERLAND
Tel: +41 43 299-4060
Fax: +41 43 299-4079
<http://www.elan-europe.com>

Shenzhen:

Elan Microelectronics Shenzhen, Ltd.
SSMEC Bldg., 3F, Gaoxin S. Ave.
Shenzhen Hi-Tech Industrial Park
Shenzhen, Guangdong, CHINA
Tel: +86 755 2601-0565
Fax: +86 755 2601-0500

Shanghai:

Elan Microelectronics Shanghai Corporation, Ltd.
23/Bldg. #115 Lane 572, Bibo Road
Zhangjiang Hi-Tech Park
Shanghai, CHINA
Tel: +86 021 5080-3866
Fax: +86 021 5080-4600

Contents

1	GENERAL DESCRIPTION	1
2	FEATURES	1
3	PIN ASSIGNMENT	2
4	FUNCTION DESCRIPTION	4
4.1	Operational Registers.....	4
4.1.1	R0 (Indirect Addressing Register)	4
4.1.2	R1 (Time Clock /Counter).....	4
4.1.3	R2 (Program Counter) & Stack	5
4.1.4	R3 (Status Register).....	6
4.1.5	R4 (RAM Select Register).....	7
4.1.6	R5 ~ R6 (Port 5 ~ Port 6)	7
4.1.7	RF (Interrupt Status Register)	7
4.1.8	R10 ~ R3F	7
4.2	Special Purpose Registers	8
4.2.1	A (Accumulator).....	8
4.2.2	CONT (Control Register).....	8
4.2.3	IOC5 ~ IOC6 (I/O Port Control Register)	8
4.2.4	IOCA (Prescaler Counter Register).....	9
4.2.5	IOCB (Pull-down Control Register)	9
4.2.6	IOCC (Open-drain Control Register).....	9
4.2.7	IOCD (Pull-high Control Register).....	10
4.2.8	IOCE (WDT Control Register).....	10
4.2.9	IOCF (Interrupt Mask Register).....	11
4.3	TCC/WDT & Prescaler	11
4.4	I/O Ports	12
4.5	RESET and Wake-up	15
4.5.1	RESET	15
4.5.2	The Status of RST, T, and P of STATUS Register	19
4.6	Interrupt	20
4.7	Oscillator	22
4.7.1	Oscillator Modes.....	22
4.7.2	.Crystal Oscillator/Ceramic Resonators(XTAL)	22
4.7.3	External RC Oscillator Mode.....	23
4.8	CODE Option Register	25
4.9	Power On Considerations	25
4.10	External Power On Reset Circuit.....	26
4.11	Residue-Voltage Protection	26
4.12	Instruction Set	27
4.13	Timing Diagrams	30



5 ABSOLUTE MAXIMUM RATINGS 31

6 ELECTRICAL CHARACTERISTICS 31

6.1 DC Electrical Characteristic..... 31

6.2 AC Electrical Characteristic..... 32

6.3 Device Characteristic 33

APPENDIX

A Package Types..... 43

B Package Information 43

Specification Revision History

Doc. Version	Revision Description	Date
1.0	Initial version	
1.1	Change set up time period	04/19/2002
1.2	Change Power on reset content Change from EM78P156E to EM78156E	07/01/2003
1.3	Add the Device Characteristic at section 6.3	07/29/2004



1 GENERAL DESCRIPTION

EM78156E is an 8-bit microprocessor with low-power and high-speed CMOS technology. Integrated into a single chip are on-chip watchdog timer (WDT), RAM, ROM, real time clock/counter, external and interrupt, power down mode, and tri-state I/O.

2 FEATURES

- Operating voltage range : 2.3V~5.5V
- Operating temperature range: 0°C~70°C
- Operating frequency rang (base on 2 clocks):
 - Crystal mode: DC~20MHz at 5V, DC~8MHz at 3V, DC~4MHz at 2.3V.
 - ERC mode: DC~4MHz at 5V, DC~4MHz at 3V, DC~4MHz at 2.3V.
- Low power consumption:
 - Less then 2.0 mA at 5V/4MHz
 - Typically 15 μ A at 3V/32KHz
 - Typically 1 μ A during sleep mode
- 1K \times 13 bits on chip ROM
- One configuration register to accommodate user's requirements
- 48 \times 8 bits on chip registers (SRAM, general purpose register)
- 2 bi-directional I/O ports
- 5 level stacks for subroutine nesting
- 8-bit real time clock/counter (TCC) with selective signal sources, trigger edges, and overflow interrupt
- Two clocks per instruction cycle
- Power down (SLEEP) mode
- Three available interruptions
 - TCC overflow interrupt
 - Input-port status changed interrupt (wake up from sleep mode)
 - External interrupt
- Programmable free running watchdog timer
- 8 programmable pull-high pins
- 7 programmable pull-down pins
- 8 programmable open-drain pins

- 2 programmable R-option pins
- Package types:
 - 18 pin DIP 300mil : EM78156EP
 - 18 pin SOP(SOIC) 300mil : EM78156EM
 - 20 pin SSOP 209mil : EM78156EAS
 - 20 pin SSOP 209mil : EM78156EKM
- 99.9% single instruction cycle commands
- The transient point of system frequency between HXT and LXT is around 400KHz

3 PIN ASSIGNMENT

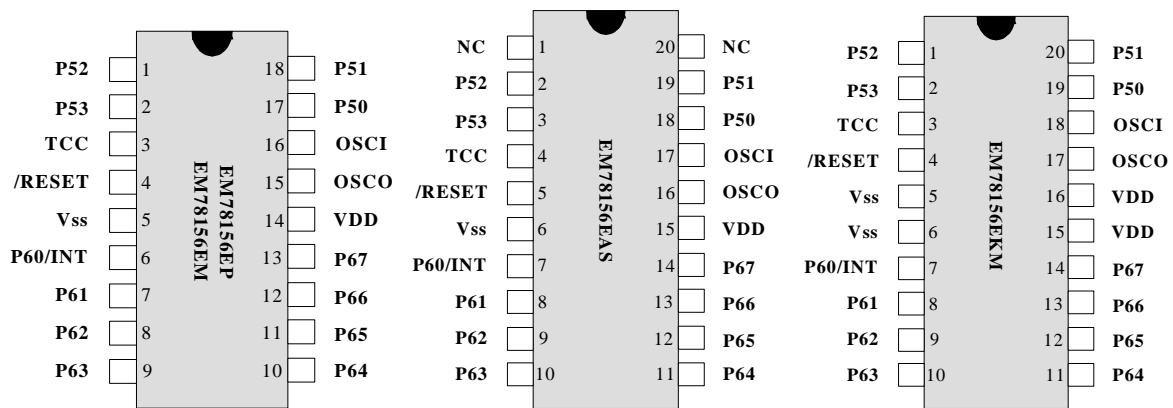


Fig. 1 Pin Assignment

Table 1 EM78156EP and EM78156EM Pin Description

Symbol	Pin No.	Type	Function
VDD	14	-	■ Power supply.
OSCI	16	I	■ XTAL type: Crystal input terminal or external clock input pin. ■ ERC type: RC oscillator input pin.
OSCO	15	I/O	■ XTAL type: Output terminal for crystal oscillator or external clock input pin. ■ RC type: Instruction clock output. ■ External clock signal input.
TCC	3	I	■ The real time clock/counter (with Schmitt trigger input pin), must be tied to VDD or VSS if not in use.
/RESET	4	I	■ Input pin with Schmitt trigger. If this pin remains at logic low, the controller will also remain in reset condition.
P50~P53	17, 18, 1, 2	I/O	■ P50~P53 are bi-directional I/O pins. ■ P50 and P51 can also be defined as the R-option pins. ■ P50~P52 can be pulled-down by software.
P60~P67	6~13	I/O	■ P60~P67 are bi-directional I/O pins. ■ These can be pulled-high or can be open-drain by software programming. ■ P60~P63 can also be pulled-down by software.
/INT	6	I	■ External interrupt pin triggered by falling edge.
VSS	5	-	■ Ground.



Table 2 EM78156EAS Pin Description

Symbol	Pin No.	Type	Function
VDD	15	-	■ Power supply.
OSCI	17	I	■ XTAL type: Crystal input terminal or external clock input pin. ■ ERC type: RC oscillator input pin.
OSCO	16	I/O	■ XTAL type: Output terminal for crystal oscillator or external clock input pin. ■ RC type: Instruction clock output. ■ External clock signal input.
TCC	4	I	■ The real time clock/counter (with Schmitt trigger input pin), must be tied to VDD or VSS if not in use.
/RESET	5	I	■ Input pin with Schmitt trigger. If this pin remains at logic low, the controller will also remain keep in reset condition.
P50~P53	18, 19, 2, 3	I/O	■ P50~P53 are bi-directional I/O pins. ■ P50 and P51 can also be defined as the R-option pins. ■ P50~P52 can also be pulled-down by software.
P60~P67	7~14	I/O	■ P60~P67 are bi-directional I/O pins. ■ These can be pulled-high or can be open-drain by software programming. ■ P60~P63 can be pulled-down also by software.
/INT	7	I	■ External interrupt pin triggered by falling edge.
VSS	6	-	■ Ground.

Table 3 EM78156EKM Pin Description

Symbol	Pin No.	Type	Function
VDD	15,16	-	■ Power supply.
OSCI	18	I	■ XTAL type: Crystal input terminal or external clock input pin. ■ ERC type: RC oscillator input pin.
OSCO	17	I/O	■ XTAL type: Output terminal for crystal oscillator or external clock input pin. ■ RC type: Instruction clock output. ■ External clock signal input.
TCC	3	I	■ The real time clock/counter (with Schmitt trigger input pin), must be tied to VDD or VSS if not in use.
/RESET	4	I	■ Input pin with Schmitt trigger. If this pin remains at logic low, the controller will also remain in reset condition.
P50~P53	19, 20, 1, 2	I/O	■ P50~P53 are bi-directional I/O pins. ■ P50 and P51 can also be defined as the R-option pins. ■ P50~P52 can be pulled-down by software.
P60~P67	7~14	I/O	■ P60~P67 are bi-directional I/O pins. ■ These can be pulled-high or can be open-drain by software programming. ■ P60~P63 can also be pulled-down by software.
/INT	7	I	■ External interrupt pin triggered by falling edge.
VSS	5, 6	-	■ Ground.

4 FUNCTION DESCRIPTION

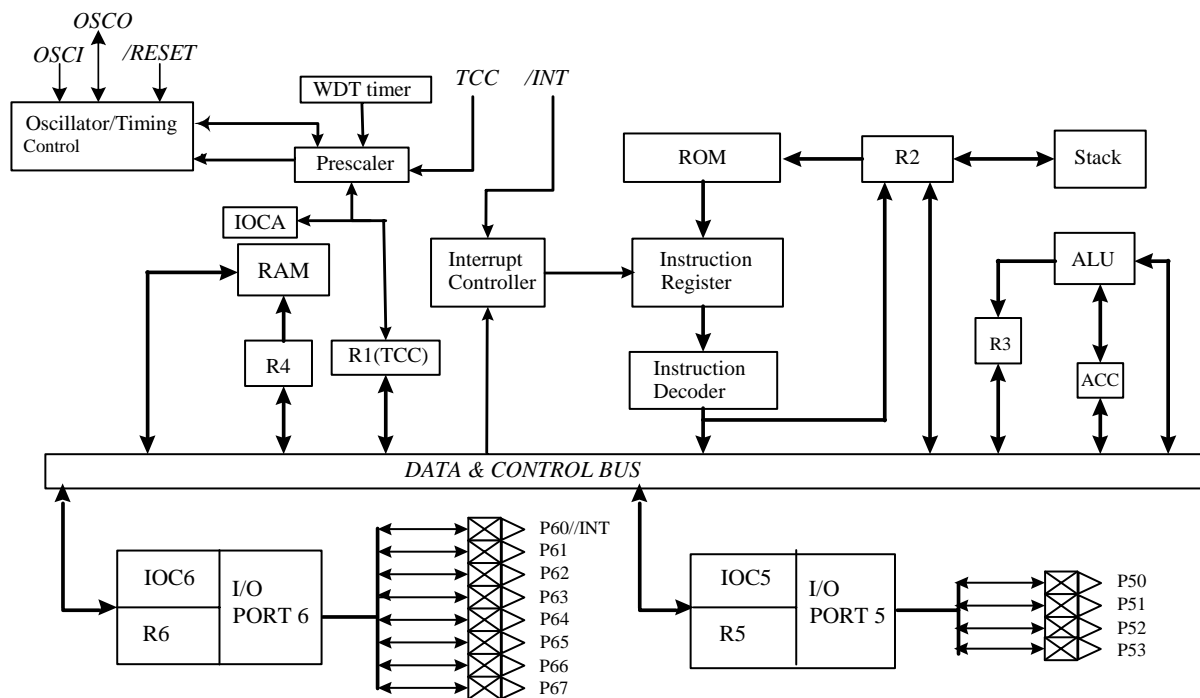


Fig. 2 Function Block Diagram

4.1 Operational Registers

4.1.1 R0 (Indirect Addressing Register)

R0 is not a physically implemented register. Its major function is to perform as an indirect addressing pointer. Any instruction using R0 as a pointer actually accesses data pointed by the RAM Select Register (R4).

4.1.2 R1 (Time Clock /Counter)

- Increased by an external signal edge which is defined by TE bit (CONT-4) through the TCC pin, or by the instruction cycle clock.
- Writable and readable as any other registers.
- Defined by resetting PAB(CONT-3).
- The prescaler is assigned to TCC, if the PAB bit (CONT-3) is reset.
- The contents of the prescaler counter will be cleared only when TCC register is written with a value.

4.1.3 R2 (Program Counter) & Stack

- Depending on the device type, R2 and hardware stack are 10-bit wide. The structure is depicted in Fig.3.
- Generating 1024×13 bits on-chip ROM addresses to the relative programming instruction codes. One program page is 1024 words long.
- R2 is set as all "0"s when under RESET condition.
- "JMP" instruction allows direct loading of the lower 10 program counter bits. Thus, "JMP" allows PC to go to any location within a page.
- "CALL" instruction loads the lower 10 bits of the PC, and then PC+1 is pushed into the stack. Thus, the subroutine entry address can be located anywhere within a page.
- "RET" ("RETL k", "RETI") instruction loads the program counter with the contents of the top-level stack.
- "ADD R2,A" allows the contents of 'A' to be added to the current PC, and the ninth and tenth bits of the PC are cleared.
- "MOV R2,A" allows to load an address from the "A" register to the lower 8 bits of the PC, and the ninth and tenth bits of the PC are cleared.
- Any instruction that writes to R2 (e.g. "ADD R2,A", "MOV R2,A", "BC R2,6",.....) will cause the ninth and tenth bits (A8~A9) of the PC to be cleared. Thus, the computed jump is limited to the first 256 locations of a page.
- All instruction are single instruction cycle (fclk/2 or fclk/4) except for the instruction that would change the contents of R2. Such instruction will need one more instruction cycle.

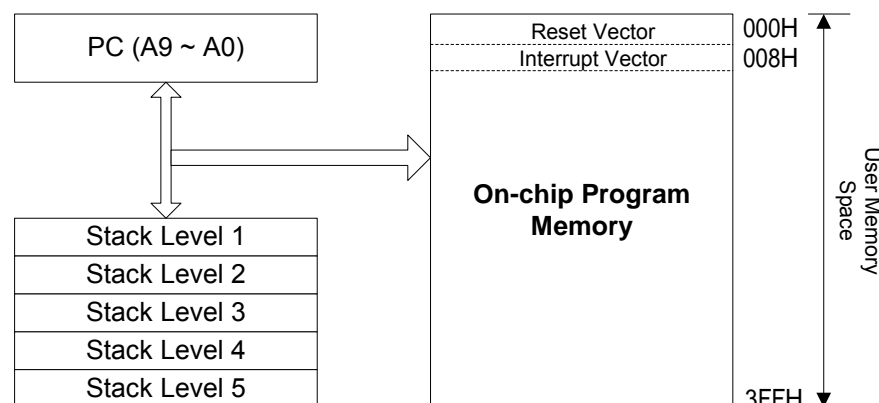


Fig. 3 Program Counter Organization



Address	R PAGE registers	IOC PAGE registers
00	R0 (IAR)	Reserve
01	R1 (TCC)	CONT (Control Register)
02	R2 (PC)	Reserve
03	R3 (Status)	Reserve
04	R4 (RSR)	Reserve
05	R5 (Port5)	IOC5 (I/O Port Control Register)
06	R6 (Port6)	IOC6 (I/O Port Control Register)
07	Reserve	Reserve
08	Reserve	Reserve
09	Reserve	Reserve
0A	Reserve	IOCA (Prescaler Control Register)
0B	Reserve	IOCB (Pull-down Register)
0C	Reserve	IOCC (Open-drain Control)
0D	Reserve	IOCD (Pull-high Control Register)
0E	Reserve	IOCE (WDT Control Register)
0F	RF (Interrupt Status)	IOCF (Interrupt Mask Register)
10 : 3F	General Registers	

Fig. 4 Data Memory Configuration

4.1.4 R3 (Status Register)

7	6	5	4	3	2	1	0
GP2	GP1	GP0	T	P	Z	DC	C

Bit 0 (C) Carry flag

Bit 1 (DC) Auxiliary carry flag

Bit 2 (Z) Zero flag.

Set to "1" if the result of an arithmetic or logic operation is zero.

Bit 3 (P) Power down bit.

Set to 1 during power on or by a "WDTC" command and reset to 0 by a "SLEP" command.

Bit 4 (T) Time-out bit.

Set to 1 with the "SLEP" and "WDT C" commands, or during power up and reset to 0 by WDT time-out.

Bits 5 ~ 7 (GP0 ~ 2) General purpose read/write bits.

4.1.5 R4 (RAM Select Register)

Bits 0~5 are used to select registers (address: 00~06, 0F~3F) in the indirect addressing mode.

Bits 6~7 are not used.(read only).

The Bits 6~7 set to "1" at all time.

Z flag of R3 will set to "1", when R4 content is equal to "3F" When R4=R4+1, R4 content will select as R0.

See the configuration of the data memory in Fig. 4.

4.1.6 R5 ~ R6 (Port 5 ~ Port 6)

- R5 and R6 are I/O registers.
- Only the lower 4 bits of R5 are available.

4.1.7 RF (Interrupt Status Register)

7	6	5	4	3	2	1	0
-	-	-	-	-	EXIF	ICIF	TCIF

"1" means interrupt request, and "0" means no interrupt occur.

Bit 0 (TCIF) TCC overflow interrupt flag. Set when TCC overflows, reset by software.

Bit 1 (ICIF) Port 6 input status change interrupt flag. Set when Port 6 input changes, reset by software.

Bit 2 (EXIF) External interrupt flag. Set by falling edge on /INT pin, reset by software.

Bits 3 ~ 7 Not used.

RF can be cleared by instruction but cannot be set.

IOCF is the interrupt mask register.

Note that the result of reading RF is the "logic AND" of RF and IOCF.

4.1.8 R10 ~ R3F

All of these are 8-bit general-purpose registers.



4.2 Special Purpose Registers

4.2.1 A (Accumulator)

- Internal data transfer, or instruction operand holding
- It cannot be addressed.

4.2.2 CONT (Control Register)

7	6	5	4	3	2	1	0
-	/INT	TS	TE	PAB	PSR2	PSR1	PSR0

Bit 0 (PSR0) ~ Bit 2 (PSR2) TCC/WDT prescaler bits.

PSR2	PSR1	PSR0	TCC Rate	WDT Rate
0	0	0	1:2	1:1
0	0	1	1:4	1:2
0	1	0	1:8	1:4
0	1	1	1:16	1:8
1	0	0	1:32	1:16
1	0	1	1:64	1:32
1	1	0	1:128	1:64
1	1	1	1:256	1:128

Bit 3 (PAB) Prescaler assignment bit.

0: TCC

1: WDT

Bit 4 (TE) TCC signal edge

0: increment if the transition from low to high takes place on TCC pin

1: increment if the transition from high to low takes place on TCC pin

Bit 5 (TS) TCC signal source

0: internal instruction cycle clock

1: transition on TCC pin

Bit 6 (/INT) Interrupt enable flag

0: masked by DISI or hardware interrupt

1: enabled by ENI/RETI instructions

Bit 7 Not used.

CONT register is both readable and writable.

4.2.3 IOC5 ~ IOC6 (I/O Port Control Register)

"1" put the relative I/O pin into high impedance, while "0" defines the relative I/O pin as output.

Only the lower 4 bits of IOC5 can be defined.

IOC5 and IOC6 registers are both readable and writable.

4.2.4 IOCA (Prescaler Counter Register)

- IOCA register is readable.
- The value of IOCA is equal to the contents of Prescaler counter.
- Down counter.

4.2.5 IOCB (Pull-down Control Register)

7	6	5	4	3	2	1	0
/PD7	/PD6	/PD5	/PD4	-	/PD2	/PD1	/PD0

Bit 0 (/PD0) Control bit is used to enable the pull-down of P50 pin.

- 0: Enable internal pull-down
- 1: Disable internal pull-down

Bit 1 (/PD1) Control bit is used to enable the pull-down of P51 pin.

Bit 2 (/PD2) Control bit is used to enable the pull-down of P52 pin.

Bit 3 Not used.

Bit 4 (/PD4) Control bit is used to enable the pull-down of P60 pin.

Bit 5 (/PD5) Control bit is used to enable the pull-down of P61 pin.

Bit 6 (/PD6) Control bit is used to enable the pull-down of P62 pin.

Bit 7 (/PD7) Control bit is used to enable the pull-down of P63 pin.

IOCB Register is both readable and writable.

4.2.6 IOCC (Open-drain Control Register)

7	6	5	4	3	2	1	0
OD7	OD6	OD5	OD4	OD3	OD2	OD1	OD0

Bit 0 (OD0) Control bit used to enable the open-drain of P60 pin.

- 0: Disable open-drain output
- 1: Enable open-drain output

Bit 1 (OD1) Control bit is used to enable the open-drain of P61 pin.

Bit 2 (OD2) Control bit is used to enable the open-drain of P62 pin.

Bit 3 (OD3) Control bit is used to enable the open-drain of P63 pin.

Bit 4 (OD4) Control bit is used to enable the open-drain of P64 pin.

Bit 5 (OD5) Control bit is used to enable the open-drain of P65 pin.



Bit 6 (OD6) Control bit is used to enable the open-drain of P66 pin.

Bit 7 (OD7) Control bit is used to enable the open-drain of P67 pin.

IOCC Register is both readable and writable.

4.2.7 IOCD (Pull-high Control Register)

7	6	5	4	3	2	1	0
/PH7	/PH6	/PH5	/PH4	/PH3	/PH2	/PH1	/PH0

Bit 0 (/PH0) Control bit is used to enable the pull-high of P60 pin.

0: Enable internal pull-high

1: Disable internal pull-high

Bit 1 (/PH1) Control bit is used to enable the pull-high of P61 pin.

Bit 2 (/PH2) Control bit is used to enable the pull-high of P62 pin.

Bit 3 (/PH3) Control bit is used to enable the pull-high of P63 pin.

Bit 4 (/PH4) Control bit is used to enable the pull-high of P64 pin.

Bit 5 (/PH5) Control bit is used to enable the pull-high of P65 pin.

Bit 6 (/PH6) Control bit is used to enable the pull-high of P66 pin.

Bit 7 (/PH7) Control bit is used to enable the pull-high of P67 pin.

IOCD Register is both readable and writable.

4.2.8 IOCE (WDT Control Register)

7	6	5	4	3	2	1	0
WDTE	EIS	-	ROC	-	-	-	-

Bit 7 (WDTE) Control bit used to enable Watchdog timer.

0: Disable WDT.

1: Enable WDT.

WDTE is both readable and writable.

Bit 6 (EIS) Control bit is used to define the function of P60(/INT) pin.

0: P60, bi-directional I/O pin.

1: /INT, external interrupt pin. In this case, the I/O control bit of P60 (bit 0 of IOC6) must be set to "1".

When EIS is "0", the path of /INT is masked. When EIS is "1", the status of /INT pin can also be read by way of reading Port 6 (R6). Refer to Fig. 7(a).

EIS is both readable and writable.

Bit 4 (ROC) ROC is used for the R-option.

Setting the ROC to "1" will enable the status of R-option pins (P50~P51) that are read by the controller. Clearing the ROC will disable the R-option function. If the R-option function is selected, user must connect the P51 pin or/and P50 pin to VSS with a 430KΩ external resistor (Rex). If the Rex is connected/disconnected, the status of P50 (P51) is read as "0"/"1". Refer to Fig. 8.

Bits 0~3,5 Not used.

4.2.9 IOCF (Interrupt Mask Register)

7	6	5	4	3	2	1	0
-	-	-	-	-	EXIE	ICIE	TCIE

Bit 0 (TCIE) TCIF interrupt enable bit.

- 0: disable TCIF interrupt
- 1: enable TCIF interrupt

Bit 1 (ICIE) ICIF interrupt enable bit.

- 0: disable ICIF interrupt
- 1: enable ICIF interrupt

Bit 2 (EXIE) EXIF interrupt enable bit.

- 0: disable EXIF interrupt
- 1: enable EXIF interrupt

Bits 3~7 Not used.

Individual interrupt is enabled by setting its associated control bit in the IOCF to "1".

Global interrupt is enabled by the ENI instruction and is disabled by the DISI instruction. Refer to Fig. 10.

IOCF register is both readable and writable.

4.3 TCC/WDT & Prescaler

An 8-bit counter available as prescaler for the TCC or WDT. The prescaler is available for either the TCC or WDT only at any given time, and the PAB bit of the CONT register is used to determine the prescaler assignment. The PSR0~PSR2 bits determine the ratio. The prescaler is cleared each time the instruction is written to TCC under TCC mode. The WDT and prescaler, when assigned to WDT mode, are cleared by the "WDTC" or "SLEP" instructions. Fig. 5 depicts the circuit diagram of TCC/WDT.

- R1 (TCC) is an 8-bit timer/counter. The clock source of TCC can be internal or external clock input (edge selectable from TCC pin). If TCC signal source is from

internal clock, TCC will increase by 1 at every instruction cycle (without prescaler). Referring to Fig. 5, CLK=Fosc/2 or CLK=Fosc/4 application is determined by the CODE Option bit CLK status. CLK=Fosc/2 is used if CLK bit is "0", and CLK=Fosc/4 is used if CLK bit is "1". If TCC signal source comes from external clock input, TCC is increased by 1 at every falling edge or rising edge of TCC pin.

- The watchdog timer is a free running on-chip RC oscillator. The WDT will keep on running even when the oscillator driver has been turned off (i.e. in sleep mode). During normal operation or sleep mode, a WDT time-out (if enabled) will cause the device to reset. The WDT can be enabled or disabled any time during normal mode by software programming. Refer to WDTE bit of IOCE register. Without prescaler, the WDT time-out period is approximately 18 ms¹ (default).

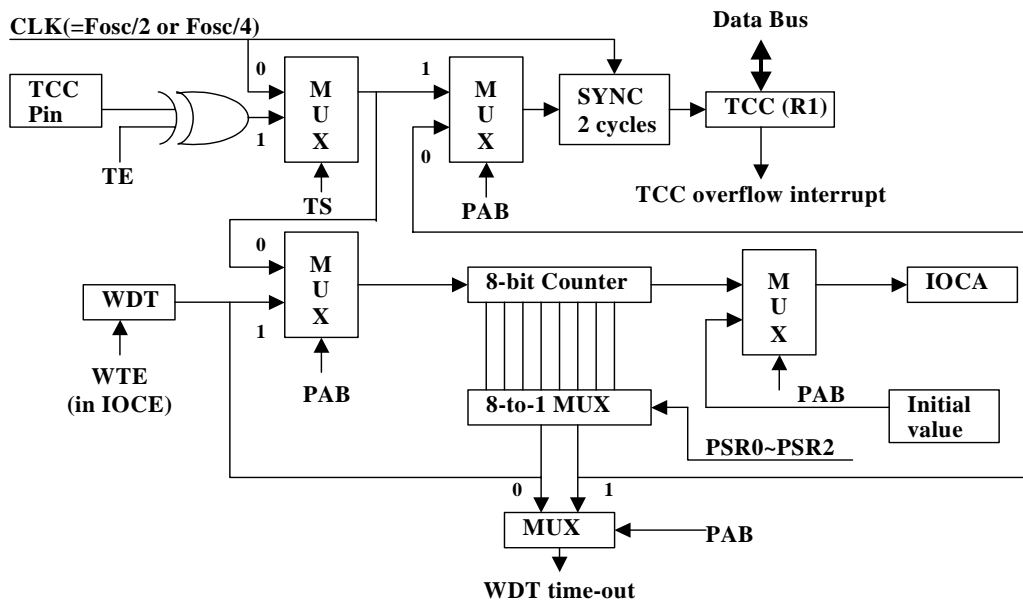


Fig. 5 Block Diagram of TCC and WDT

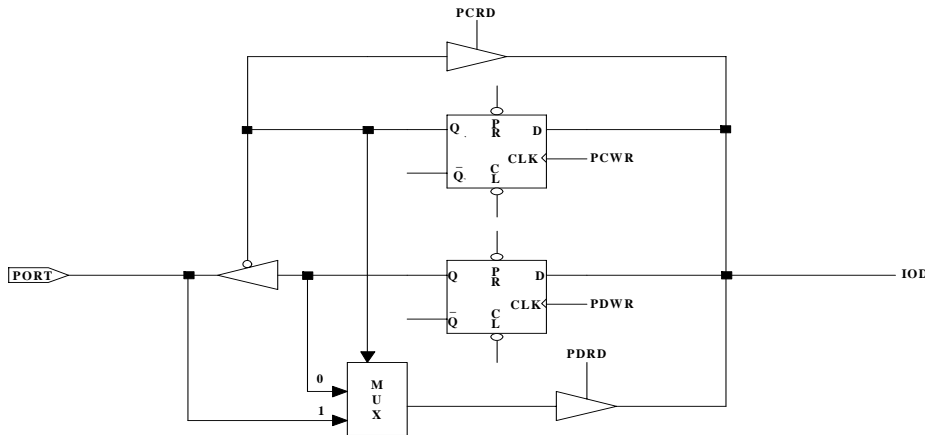
4.4 I/O Ports

The I/O registers, both Port 5 and Port 6, are bi-directional tri-state I/O ports. Port 6 can be pulled high internally by software. In addition, Port 6 can also have open-drain output by software. Input status change interrupt (or wake-up) function on Port 6. P50 ~ P52 and P60 ~ P63 pins can be pulled down by software. Each I/O pin can be defined as "input" or "output" pin by the I/O control register (IOC5 ~ IOC6). P50~P51 are the R-option pins enabled by setting the ROC bit in the IOCE register to 1. When the R-option function is used, it is recommended that P50~P51 are used as output pins. When R-option is in enable state, P50~P51 must be programmed as input pins. Under

¹ <Note>: Vdd = 5V, set up time period = 16.8ms ± 30%
Vdd = 3V, set up time period = 18ms ± 30%

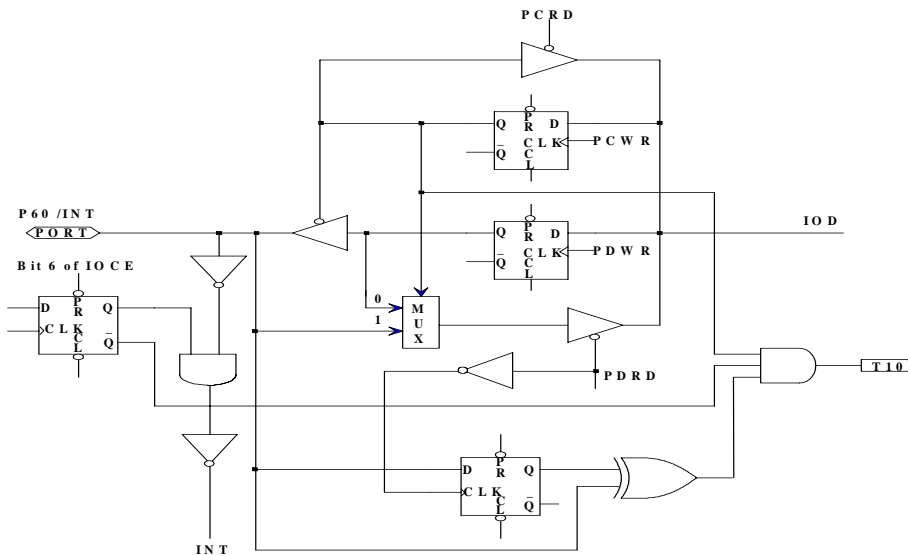
R-option mode, the current/power consumption by Rex should be taken into the consideration to promote energy conservation.

The I/O registers and I/O control registers are both readable and writable. The I/O interface circuits for Port 5 and Port 6 are shown in the following Figures 6, 7(a), 7(b), 7(C)and Figure 8.



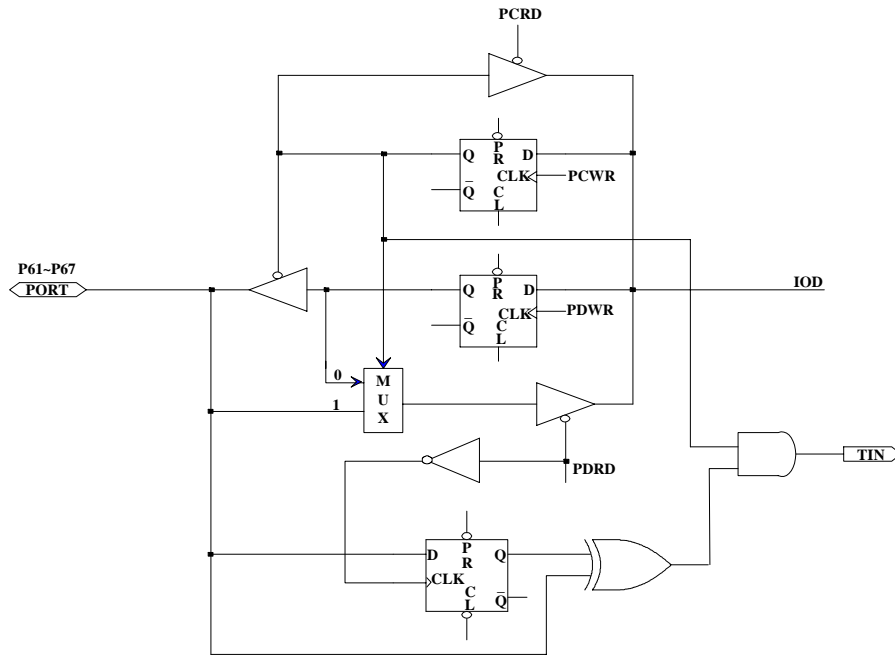
NOTE: Pull-down is not shown in the figure.

Fig. 6 The Circuit of I/O Port and I/O Control Register for Port 5



NOTE: Pull-high (down) and Open-drain are not shown in the figure.

Fig. 7(a) The Circuit of I/O Port and I/O Control Register for P60(/INT)



NOTE: Pull-high (down) and Open-drain are not shown in the figure.
 Fig. 7(b) The Circuit of I/O Port and I/O Control Register for P61~P67

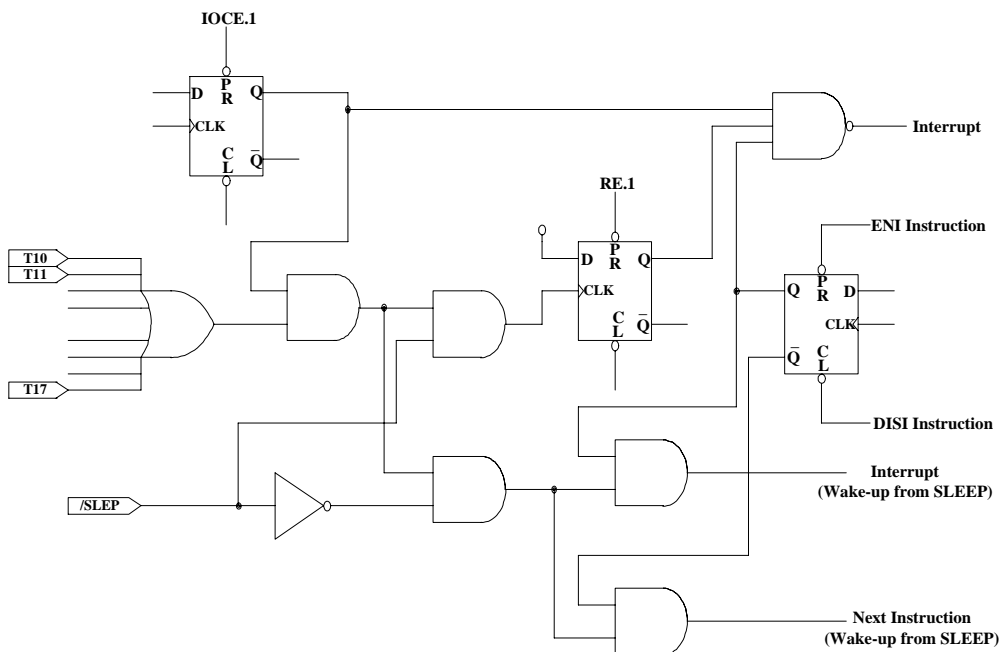


Fig. 7(c) Block Diagram of I/O Port 6 with Input Change Interrupt/Wake-up

Table 4 Usage of Port 6 Input Change Wake-up/Interrupt Function

Usage of Port 6 input status changed Wake-up/Interrupt	
<p>(I) Wake-up from Port 6 Input Status change</p> <p>(a) Before SLEEP</p> <ol style="list-style-type: none"> 1. Disable WDT² (using very carefully) 2. Read I/O Port 6 (MOV R6,R6) 3. Execute "ENI" or "DISI" 4. Enable interrupt (Set IOCF.1) 5. Execute "SLEP" instruction <p>(b) After Wake-up</p> <ol style="list-style-type: none"> 1. IF "ENI" → Interrupt vector (008H) 2. IF "DISI" → Next instruction 	<p>(II) Port 6 Input Status Change Interrupt</p> <ol style="list-style-type: none"> 1. Read I/O Port 6 (MOV R6,R6) 2. Execute "ENI" 3. Enable interrupt (Set IOCF.1) 4. IF Port 6 change (interrupt) → Interrupt vector (008H)

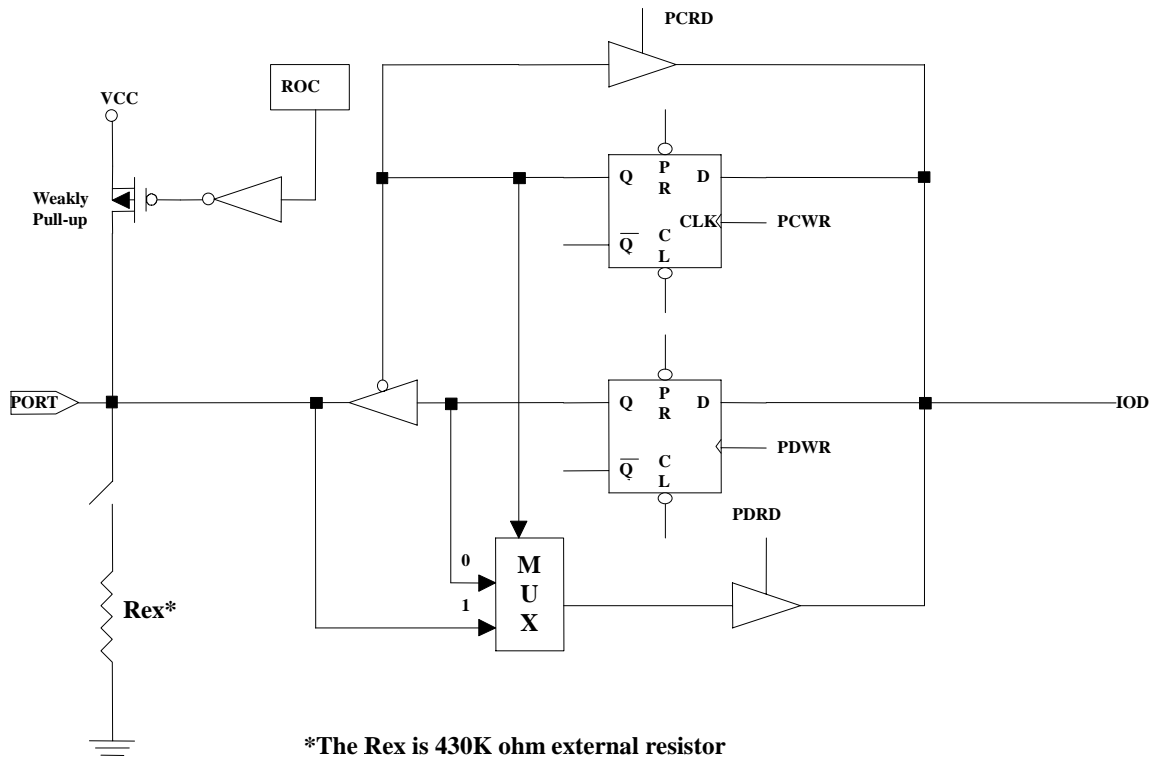


Fig. 8 The Circuit of I/O Port with R-option(P50,P51)

4.5 RESET and Wake-up

4.5.1 RESET

A RESET is initiated by one of the following events-

- (1) Power on reset.

² NOTE: Software disables WDT (watchdog timer) but hardware must be enabled before applying Port 6 Changed Wake-up function. (CODE Option Register and Bit 11 (ENWDT) are set to "1").

- (2) /RESET pin input "low", or
- (3) WDT time-out (if enabled).

The device is kept in a RESET condition for a period of approx. 18³ms (one oscillator start-up timer period) after the reset is detected. Once the RESET occurs, the following functions are performed. Refer to Fig.9.

- The oscillator is running, or will be started.
- The Program Counter (R2) is set to all "0".
- All I/O port pins are configured as input mode (high-impedance state).
- The Watchdog timer and prescaler are cleared.
- When power is switched on, the upper 3 bits of R3 are cleared.
- The bits of the CONT register are set to all "1" except for the Bit 6 (INT flag).
- The bits of the IOCA register are set to all "1".
- The bits of the IOCB register are set to all "1".
- The IOCC register is cleared.
- The bits of the IOCD register are set to all "1".
- Bit 7 of the IOCE register is set to "1", and Bits 4 and 6 are cleared.
- Bits 0~2 of RF and bits 0~2 of IOCF register are cleared.

The sleep (power down) mode is asserted by executing the "SLEP" instruction. While entering sleep mode, WDT (if enabled) is cleared but keeps on running. The controller can be awakened by-

- (1) External reset input on /RESET pin,
- (2) WDT time-out (if enabled), or
- (3) Port 6 input status changes (if enabled).

The first two cases will cause the EM78156E to reset. The T and P flags of R3 can be used to determine the source of the reset (wake-up). The last case is considered the continuation of program execution and the global interrupt ("ENI" or "DISI" being executed) decides whether or not the controller branches to the interrupt vector following wake-up. If ENI is executed before SLEP, the operation will restart from the succeeding instruction right next to SLEP after wake-up.

Only one of Cases 2 and 3 can be enabled before entering the sleep mode. That is,

[a] if Port 6 Input Status Change Interrupt is enabled before SLEP, WDT must be disabled. by software. However, the WDT bit in the option register remains enabled. Hence, the EM78156E can be awakened only by Case 1 or 3.

³ NOTE: Vdd = 5V, set up time period = 16.8ms ± 30%
Vdd = 3V, set up time period = 18ms ± 30%



[b] if WDT is enabled before SLEP, Port 6 Input Status Change Interrupt must be disabled. Hence, the EM78156E can be awakened only by Case 1 or 2. Refer to the section on Interrupt.

If Port 6 Input Status Change Interrupt is used to wake-up the EM78156E (Case [a] above), the following instructions must be executed before SLEP:

```
MOV A, @xx000110b      ; Select internal TCC clock
CONTW
CLR R1                  ; Clear TCC and prescaler
MOV A, @xxxx1110b     ; Select WDT prescaler
CONTW
WDTC                    ; Clear WDT and prescaler
MOV A, @0xxxxxxb     ; Disable WDT
IOW RE
MOV R6, R6              ; Read Port 6
MOV A, @00000x1xb     ; Enable Port 6 input change interrupt
IOW RF
ENI (or DISI)          ; Enable (or disable) global interrupt
SLEP                    ; Sleep
NOP
```

One problem user should be aware of, is that after waking up from the sleep mode, WDT would enable automatically. The WDT operation (being enabled or disabled) should be handled appropriately by software after waking up from the sleep mode.

Table 5 The Summary of the Initialized Values for Registers

Address	Name	Reset Type	Bit 7	Bit 6	Bit 5	Bit 4	Bit 3	Bit 2	Bit 1	Bit 0
N/A	IOC5	Bit Name	X	X	X	X	C53	C52	C51	C50
		Power-On	U	U	U	U	1	1	1	1
		/RESET and WDT	U	U	U	U	1	1	1	1
		Wake-Up from Pin Change	U	U	U	U	P	P	P	P
N/A	IOC6	Bit Name	C67	C66	C65	C64	C63	C62	C61	C60
		Power-On	1	1	1	1	1	1	1	1
		/RESET and WDT	1	1	1	1	1	1	1	1
		Wake-Up from Pin Change	P	P	P	P	P	P	P	P
N/A	CONT	Bit Name	X	/INT	TS	TE	PAB	PSR2	PSR1	PSR0
		Power-On	1	0	1	1	1	1	1	1
		/RESET and WDT	1	0	1	1	1	1	1	1



Address	Name	Reset Type	Bit 7	Bit 6	Bit 5	Bit 4	Bit 3	Bit 2	Bit 1	Bit 0
		Wake-Up from Pin Change	P	P	P	P	P	P	P	P
0x00	R0(IAR)	Bit Name	-	-	-	-	-	-	-	-
		Power-On	U	U	U	U	U	U	U	U
		/RESET and WDT	P	P	P	P	P	P	P	P
		Wake-Up from Pin Change	P	P	P	P	P	P	P	P
0x01	R1(TCC)	Bit Name	-	-	-	-	-	-	-	-
		Power-On	0	0	0	0	0	0	0	0
		/RESET and WDT	0	0	0	0	0	0	0	0
		Wake-Up from Pin Change	P	P	P	P	P	P	P	P
0x02	R2(PC)	Bit Name	-	-	-	-	-	-	-	-
		Power-On	0	0	0	0	0	0	0	0
		/RESET and WDT	0	0	0	0	0	0	0	0
		Wake-Up from Pin Change	**0/P	**0/P	**0/P	**0/P	**1/P	**0/P	**0/P	**0/P
0x03	R3(SR)	Bit Name	GP2	GP1	GP0	T	P	Z	DC	C
		Power-On	0	0	0	1	1	U	U	U
		/RESET and WDT	0	0	0	T	t	P	P	P
		Wake-Up from Pin Change	P	P	P	T	t	P	P	P
0x04	R4(RSR)	Bit Name	-	-	-	-	-	-	-	-
		Power-On	1	1	U	U	U	U	U	U
		/RESET and WDT	1	1	P	P	P	P	P	P
		Wake-Up from Pin Change	1	1	P	P	P	P	P	P
0x05	P5	Bit Name	X	X	X	X	P53	P52	P51	P50
		Power-On	0	0	0	0	U	U	U	U
		/RESET and WDT	0	0	0	0	P	P	P	P
		Wake-Up from Pin Change	0	0	0	0	P	P	P	P
0x06	P6	Bit Name	P67	P66	P65	P64	P63	P62	P61	P60
		Power-On	U	U	U	U	U	U	U	U
		/RESET and WDT	P	P	P	P	P	P	P	P
		Wake-Up from Pin Change	P	P	P	P	P	P	P	P
0x0F	RF(ISR)	Bit Name	X	X	X	X	X	EXIF	ICIF	TCIF
		Power-On	U	U	U	U	U	0	0	0
		/RESET and WDT	U	U	U	U	U	0	0	0
		Wake-Up from Pin Change	U	U	U	U	U	P	P	P
0x0A	IOCA	Bit Name	-	-	-	-	-	-	-	-
		Power-On	1	1	1	1	1	1	1	1
		/RESET and WDT	1	1	1	1	1	1	1	1
		Wake-Up from Pin Change	P	P	P	P	P	P	P	P



Address	Name	Reset Type	Bit 7	Bit 6	Bit 5	Bit 4	Bit 3	Bit 2	Bit 1	Bit 0
0x0B	IOCB	Bit Name	/PD7	/PD6	/PD5	/PD4	X	/PD2	/PD1	/PD0
		Power-On	1	1	1	1	U	1	1	1
		/RESET and WDT	1	1	1	1	U	1	1	1
		Wake-Up from Pin Change	P	P	P	P	U	P	P	P
0x0C	IOCC	Bit Name	OD7	OD6	OD5	OD4	OD3	OD2	OD1	OD0
		Power-On	0	0	0	0	0	0	0	0
		/RESET and WDT	0	0	0	0	0	0	0	0
		Wake-Up from Pin Change	P	P	P	P	P	P	P	P
0x0D	IOCD	Bit Name	/PH7	/PH6	/PH5	/PH4	/PH3	/PH2	/PH1	/PH0
		Power-On	1	1	1	1	1	1	1	1
		/RESET and WDT	1	1	1	1	1	1	1	1
		Wake-Up from Pin Change	P	P	P	P	P	P	P	P
0x0E	IOCE	Bit Name	WDTE	EIS	X	ROC	X	X	X	X
		Power-On	1	0	U	0	U	U	U	U
		/RESET and WDT	1	0	U	0	U	U	U	U
		Wake-Up from Pin Change	1	P	U	P	U	U	U	U
0x0F	IOCF	Bit Name	X	X	X	X	X	EXIE	ICIE	TCIE
		Power-On	U	U	U	U	U	0	0	0
		/RESET and WDT	U	U	U	U	U	0	0	0
		Wake-Up from Pin Change	U	U	U	U	U	P	P	P
0x10-0x2F	R10-R2F	Bit Name	-	-	-	-	-	-	-	-
		Power-On	U	U	U	U	U	U	U	U
		/RESET and WDT	P	P	P	P	P	P	P	P
		Wake-Up from Pin Change	P	P	P	P	P	P	P	P

** To jump address 0x08, or to execute the instruction which is next to the "SLEP" instruction.

X: Not used. U: Unknown or don't care. P: Previous value before reset. t: Check Table 6

4.5.2 The Status of RST, T, and P of STATUS Register

A RESET condition is initiated by the following events:

1. A power-on condition,
2. A high-low-high pulse on /RESET pin, and
3. Watchdog timer time-out.

The values of T and P, listed in Table 6 are used to check how the processor wakes up. Table 7 shows the events that may affect the status of T and P.

Table 6 The Values of RST, T and P after RESET

Reset Type	T	P
Power on	1	1
/RESET during Operating mode	*P	*P
/RESET wake-up during SLEEP mode	1	0
WDT during Operating mode	0	*P
WDT wake-up during SLEEP mode	0	0
Wake-Up on pin change during SLEEP mode	1	0

*P: Previous status before reset

Table 7 The Status of T and P Being Affected by Events.

Event	T	P
Power on	1	1
WDTC instruction	1	1
WDT time-out	0	*P
SLEP instruction	1	0
Wake-Up on pin change during SLEEP mode	1	0

*P: Previous value before reset

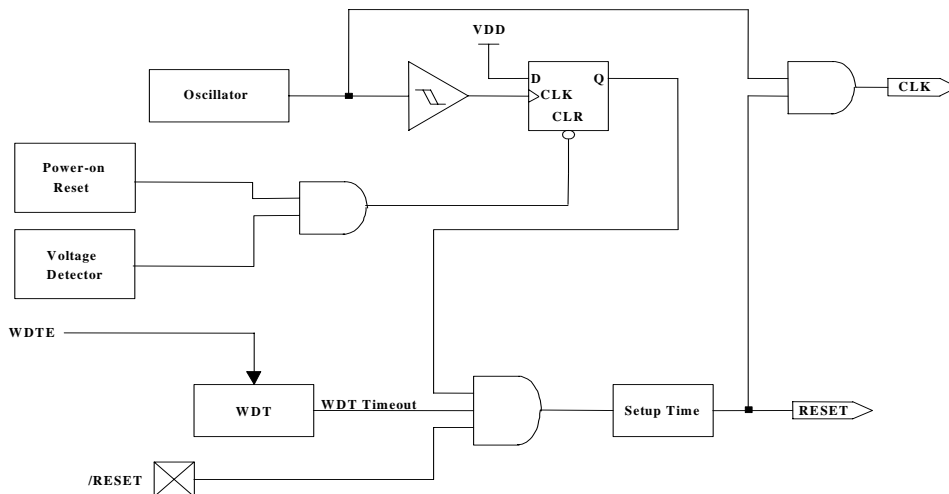


Fig. 9 Block Diagram of Controller Reset

4.6 Interrupt

The EM78156E has three falling-edge interrupts listed below:

- (1) TCC overflow interrupt
- (2) Port 6 Input Status Change Interrupt
- (3) External interrupt [(P60, /INT) pin].

Before the Port 6 Input Status Change Interrupt is enabled, reading Port 6 (e.g. "MOV R6,R6") is necessary. Each pin of Port 6 will have this feature if its status changed.

Any pin configured as output or P60 pin configured as /INT is excluded from this function. The Port 6 Input Status Changed Interrupt can wake up the EM78156E from the sleep mode if Port 6 is enabled prior to going into the sleep mode by executing SLEP. When the chip wakes-up, the controller will continue to execute the succeeding address if the global interrupt is disabled or branch to the interrupt vector 008H if the global interrupt is enabled.

RF is the interrupt status register that records the interrupt requests in the relative flags/bits. IOCF is an interrupt mask register. The global interrupt is enabled by the ENI instruction and is disabled by the DISI instruction. When one of the interrupts (enabled) occurs, the next instruction will be fetched from address 008H. Once in the interrupt service routine, the source of an interrupt can be determined by polling the flag bits in RF. The interrupt flag bit must be cleared by instructions before leaving the interrupt service routine and before interrupts are enabled to avoid recursive interrupts.

The flag (except ICIF bit) in the Interrupt Status Register (RF) is set regardless of the status of its mask bit or the execution of ENI. Note that the outcome of RF will be the logic AND of RF and IOCF (refer to Fig. 10). The RETI instruction ends the interrupt routine and enables the global interrupt (the execution of ENI).

When an interrupt is generated by the INT instruction (enabled), the next instruction will be fetched from address 001H.

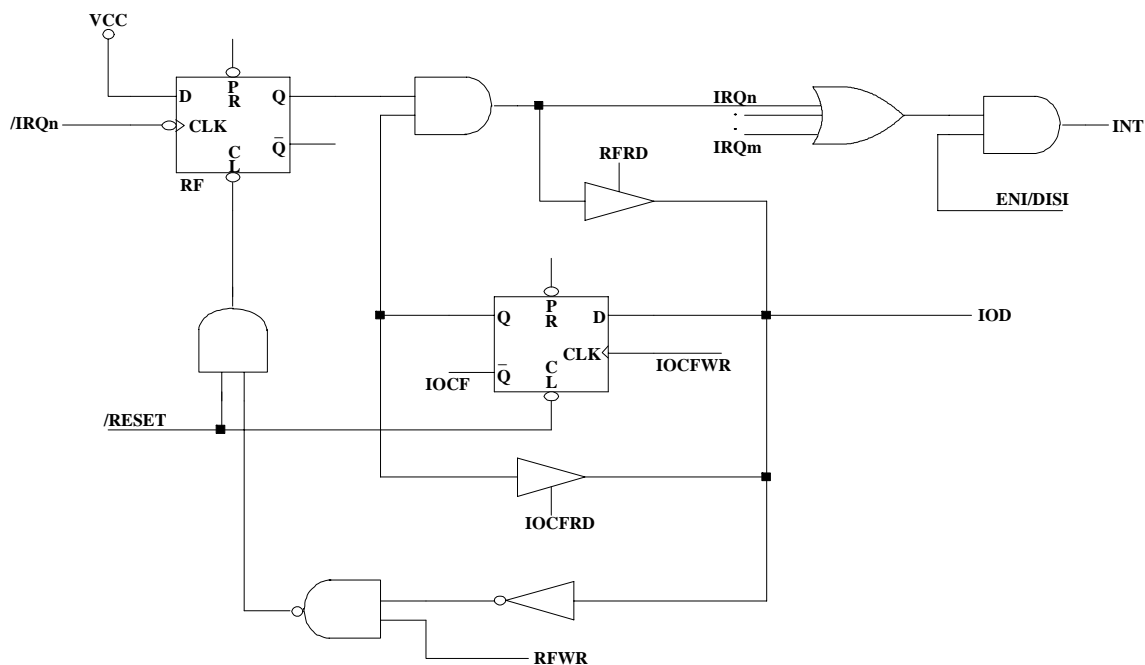


Fig. 10 Interrupt Input Circuit

4.7 Oscillator

4.7.1 Oscillator Modes

The EM78156E can be operated in three different oscillator modes, such as External RC oscillator mode (ERC), High XTAL oscillator mode(HXT), and Low XTAL oscillator mode(LXT). User can select one of them by programming MS and HLF in the CODE option register. Table 8 depicts how these three modes are defined.

The up-most limited operation frequency of crystal/resonator on the different VDDs is listed in Table 9.

Table 8 Oscillator Modes Defined by MS and HLP

Mode	MS	HLF
ERC(External RC oscillator mode)	0	*X
HXT(High XTAL oscillator mode)	1	1
LXT(Low XTAL oscillator mode)	1	0

NOTE

1. X, Don't care
2. The transient point of system frequency between HXT and LXV is around 400 KHz.

Table 9 The Summary of Maximum Operating Speeds

Conditions	VDD	Fxt max.(MHz)
Two cycles with two clocks	2.3	4.0
	3.0	8.0
	5.0	20.0

4.7.2 .Crystal Oscillator/Ceramic Resonators(XTAL)

EM78156E can be driven by an external clock signal through the OSCI pin as shown in Fig. 11 below.

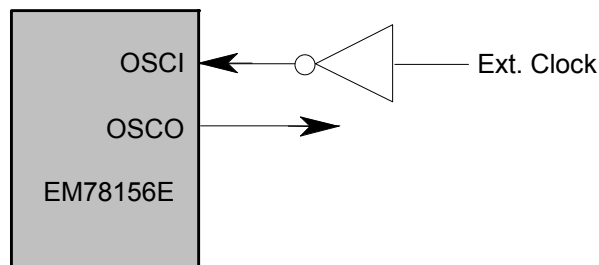


Fig. 11 Circuit for External Clock Input

In the most applications, Pin OSC1 and Pin OSC0 can be connected with a crystal or ceramic resonator to generate oscillation. Fig. 12 depicts such circuit. The same thing applies whether it is in the HXT mode or in the LXT mode. Table 10 provides the recommended values of C1 and C2. Since each resonator has its own attribute, user should refer to its specification for appropriate values of C1 and C2. RS, a serial resistor, may be necessary for AT strip cut crystal or low frequency mode.

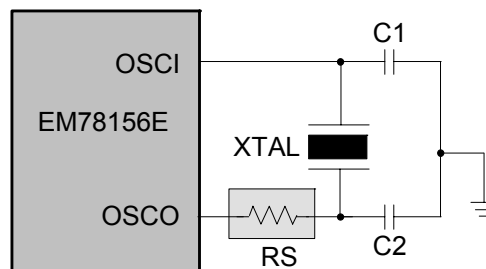


Fig. 12 Circuit for Crystal/Resonator

Table 10 Capacitor Selection Guide for Crystal Oscillator or Ceramic Resonator

Oscillator Type	Frequency Mode	Frequency	C1(pF)	C2(pF)
Ceramic Resonators	HXT	455 kHz	100~150	100~150
		2.0 MHz	20~40	20~40
		4.0 MHz	10~30	10~30
Crystal Oscillator	LXT	32.768kHz	25	15
		100KHz	25	25
		200KHz	25	25
	HXT	455KHz	20~40	20~150
		1.0MHz	15~30	15~30
		2.0MHz	15	15
		4.0MHz	15	15

4.7.3 External RC Oscillator Mode

For some applications that do not need a very precise timing calculation, the RC oscillator (Fig. 15) offers a lot of cost savings. Nevertheless, it should be noted that the frequency of the RC oscillator is influenced by the supply voltage, the values of the resistor (Rext), the capacitor (Cext), and even by the operation temperature. Moreover, the frequency also changes slightly from one chip to another due to the manufacturing process variation.

In order to maintain a stable system frequency, the values of the Cext should not be less than 20pF, and that the value of Rext should not be greater than 1 M ohm. If they cannot be kept in this range, the frequency is easily affected by noise, humidity, and leakage.

The smaller the R_{ext} in the RC oscillator, the faster its frequency will be. On the contrary, for very low R_{ext} values, for instance, 1 K Ω , the oscillator becomes unstable because the NMOS cannot discharge the current of the capacitance correctly.

Based on the above reasons, it must be kept in mind that all of the supply voltage, the operation temperature, the components of the RC oscillator, the package types, the way the PCB is layout, will affect the system frequency.

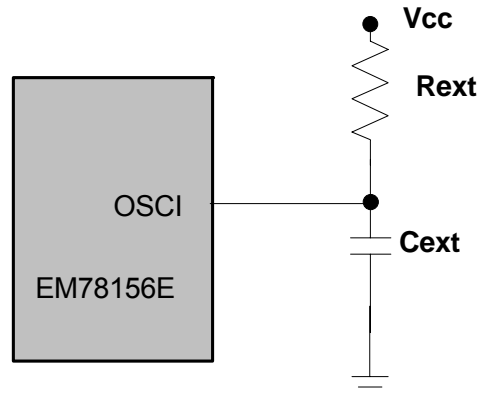


Fig. 13 Circuit for External RC Oscillator Mode

Table 11 RC Oscillator Frequencies

Cext	Rext	Average Fosc 5V,25°C	Average Fosc 3V,25°C
20 pF	3.3k	3.92 MHz	3.65 MHz
	5.1k	2.67 MHz	2.60 MHz
	10k	1.39 MHz	1.40 MHz
	100k	149 KHz	156 KHz
100 pF	3.3k	1.39 MHz	1.33 MHz
	5.1k	940 KHz	920 KHz
	10k	480 KHz	475 KHz
	100k	52 KHz	50 KHz
300 pF	3.3k	595 KHz	560 KHz
	5.1k	400 KHz	390 KHz
	10k	200 KHz	200 KHz
	100k	21 KHz	20 KHz

NOTE

1. Measured on DIP packages.
2. For design reference only.
3. The frequency drift is about $\pm 30\%$

4.8 CODE Option Register

The EM78156E has a CODE option word that is not a part of the normal program memory. The option bits cannot be accessed during normal program execution.

Bit0	Bit1	Bit2	Bit3	Bit4	Bit5
LVDD	CLK	/ENWDT	HLF	MS	-

Bit 0 (LVDD): Levels of the Operating Voltage.

0: Operating Voltage 2.3V ~ 5.5V, non-power saving.

1: Operating Voltage 4V ~ 5.5V, power saving.

Bit 1 (CLK): Instruction period option bit.

0: two oscillator periods.

1: four oscillator periods.

Refer to the section on Instruction Set.

Bit 2 (/ENWDT): Watchdog timer enable bit.

0: Enable

1: Disable

Bit 3 (HLF): XTAL frequency selection

0: XTAL2 type (low frequency, 32.768KHz)

1: XTAL1 type (high frequency)

This bit will affect system oscillation only when Bit4(MS) is "1". When MS is "0", HLF must be "0".

NOTE

The transient point of system frequency between HXT and LXY is around 400 KHz.

Bit 4 (MS): Oscillator type selection.

0: RC type

1: XTAL type (XTAL1 and XTAL2)

Bit 5: Reserved.

The bit is set to "1" all the time.

4.9 Power On Considerations

Any microcontroller is not guaranteed to start to operate properly before the power supply stays at its steady state.

EM78156E POR voltage range is 1.2V~1.8V. Under customer application, when power is OFF, Vdd must drop to below 1.2V and remains OFF for 10us before power can be switched ON again. This way, the EM78156E will reset and work normally. The

extra external reset circuit will work well if Vdd can rise at very fast speed (50 ms or less). However, under most cases where critical applications are involved, extra devices are required to assist in solving the power-up problems.

4.10 External Power On Reset Circuit

The circuit shown in Fig.16 implements an external RC to produce the reset pulse. The pulse width (time constant) should be kept long enough for Vdd to reached minimum operation voltage. This circuit is used when the power supply has slow rise time. Because the current leakage from the /RESET pin is about $\pm 5\mu\text{A}$, it is recommended that R should not be greater than 40 K. In this way, the /RESET pin voltage is held below 0.2V. The diode (D) acts as a short circuit at the moment of power down. The capacitor C will discharge rapidly and fully. Rin, the current-limited resistor, will prevent high current or ESD (electrostatic discharge) from flowing to pin /RESET.

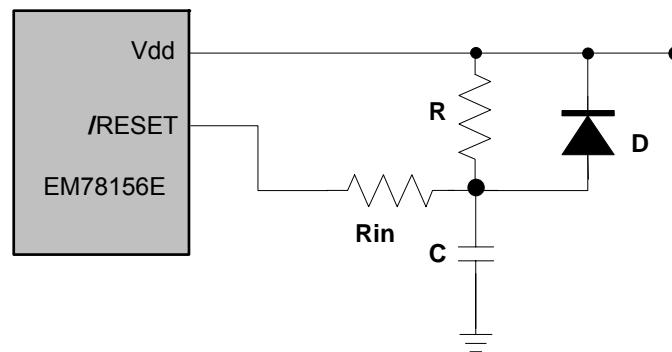


Fig. 14 External Power-Up Reset Circuit

4.11 Residue-Voltage Protection

When battery is replaced, device power (Vdd) is taken off but residue-voltage remains. The residue-voltage may trips below Vdd minimum, but not to zero. This condition may cause a poor power on reset. Fig.17 and Fig.18 show how to build a residue-voltage protection circuit.

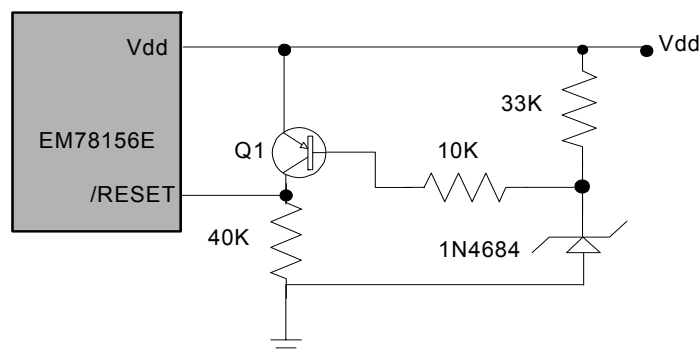


Fig. 15 Circuit 1 for the Residue Voltage Protection

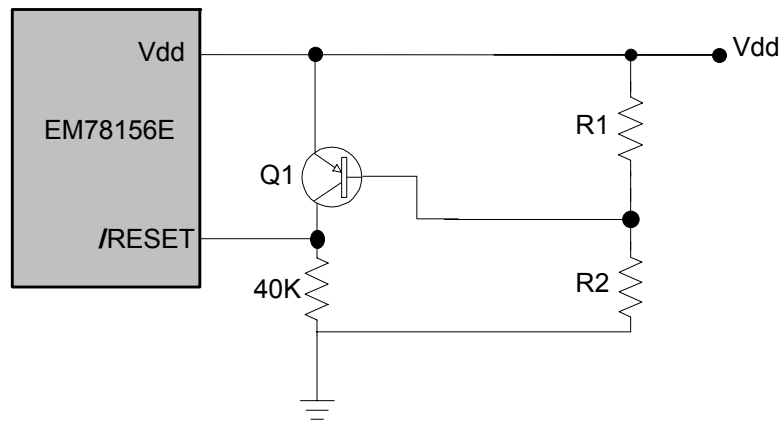


Fig. 16 Circuit 2 for the Residue Voltage Protection

4.12 Instruction Set

Each instruction in the instruction set is a 13-bit word divided into an OP code and one or more operands. Normally, all instructions are executed within one single instruction cycle (one instruction consists of 2 oscillator periods), unless the program counter is changed by instruction "MOV R2,A", "ADD R2,A", or by instructions of arithmetic or logic operation on R2 (e.g. "SUB R2,A", "BS(C) R2,6", "CLR R2", ...). In this case, the execution takes two instruction cycles.

If for some reasons, the specification of the instruction cycle is not suitable for certain applications, try modifying the instruction as follows:

- (A) Change one instruction cycle to consist of 4 oscillator periods.
- (B) "JMP", "CALL", "RET", "RETL", "RETI", or the conditional skip ("JBS", "JBC", "JZ", "JZA", "DJZ", "DJZA") commands which were tested to be true, are executed within two instruction cycles. The instructions that are written to the program counter also take two instruction cycles.

Case (A) is selected by the CODE Option bit, called CLK. One instruction cycle consists of two oscillator clocks if CLK is low, and four oscillator clocks if CLK is high.

Note that once the 4 oscillator periods within one instruction cycle is selected as in Case (A), the internal clock source to TCC should be $CLK = F_{osc}/4$, not $F_{osc}/2$ as shown in Fig. 5.

In addition, the instruction set has the following features:

- (1) Every bit of any register can be set, cleared, or tested directly.
- (2) The I/O register can be regarded as general register. That is, the same instruction can operate on I/O register.



The symbol "R" represents a register designator that specifies which one of the registers (including operational registers and general purpose registers) is to be utilized by the instruction. "b" represents a bit field designator that selects the value for the bit which is located in the register "R", and affects operation. "k" represents an 8 or 10-bit constant or literal value.

INSTRUCTION BINARY	HEX	MNEMONIC	OPERATION	STATUS AFFECTED
0 0000 0000 0000	0000	NOP	No Operation	None
0 0000 0000 0001	0001	DAA	Decimal Adjust A	C
0 0000 0000 0010	0002	CONTW	A → CONT	None
0 0000 0000 0011	0003	SLEP	0 → WDT, Stop oscillator	T,P
0 0000 0000 0100	0004	WDTC	0 → WDT	T,P
0 0000 0000 rrrr	000r	IOW R	A → IOCR	None <Note1>
0 0000 0001 0000	0010	ENI	Enable Interrupt	None
0 0000 0001 0001	0011	DISI	Disable Interrupt	None
0 0000 0001 0010	0012	RET	[Top of Stack] → PC	None
0 0000 0001 0011	0013	RETI	[Top of Stack] → PC, Enable Interrupt	None
0 0000 0001 0100	0014	CONTR	CONT → A	None
0 0000 0001 rrrr	001r	IOR R	IOCR → A	None <Note1>
0 0000 01rr rrrr	00rr	MOV R,A	A → R	None
0 0000 1000 0000	0080	CLRA	0 → A	Z
0 0000 11rr rrrr	00rr	CLR R	0 → R	Z
0 0001 00rr rrrr	01rr	SUB A,R	R-A → A	Z,C,DC
0 0001 01rr rrrr	01rr	SUB R,A	R-A → R	Z,C,DC
0 0001 10rr rrrr	01rr	DECA R	R-1 → A	Z
0 0001 11rr rrrr	01rr	DEC R	R-1 → R	Z
0 0010 00rr rrrr	02rr	OR A,R	A ∨ R → A	Z
0 0010 01rr rrrr	02rr	OR R,A	A ∨ R → R	Z
0 0010 10rr rrrr	02rr	AND A,R	A & R → A	Z
0 0010 11rr rrrr	02rr	AND R,A	A & R → R	Z
0 0011 00rr rrrr	03rr	XOR A,R	A ⊕ R → A	Z
0 0011 01rr rrrr	03rr	XOR R,A	A ⊕ R → R	Z
0 0011 10rr rrrr	03rr	ADD A,R	A + R → A	Z,C,DC
0 0011 11rr rrrr	03rr	ADD R,A	A + R → R	Z,C,DC
0 0100 00rr rrrr	04rr	MOV A,R	R → A	Z
0 0100 01rr rrrr	04rr	MOV R,R	R → R	Z
0 0100 10rr rrrr	04rr	COMA R	/R → A	Z
0 0100 11rr rrrr	04rr	COM R	/R → R	Z
0 0101 00rr rrrr	05rr	INCA R	R+1 → A	Z
0 0101 01rr rrrr	05rr	INC R	R+1 → R	Z
0 0101 10rr rrrr	05rr	DJZA R	R-1 → A, skip if zero	None
0 0101 11rr rrrr	05rr	DJZ R	R-1 → R, skip if zero	None
0 0110 00rr rrrr	06rr	RRCA R	R(n) → A(n-1), R(0) → C, C → A(7)	C
0 0110 01rr rrrr	06rr	RRC R	R(n) → R(n-1), R(0) → C, C → R(7)	C
0 0110 10rr rrrr	06rr	RLCA R	R(n) → A(n+1), R(7) → C, C → A(0)	C
0 0110 11rr rrrr	06rr	RLC R	R(n) → R(n+1), R(7) → C, C → R(0)	C
0 0111 00rr rrrr	07rr	SWAPA R	R(0-3) → A(4-7), R(4-7) → A(0-3)	None



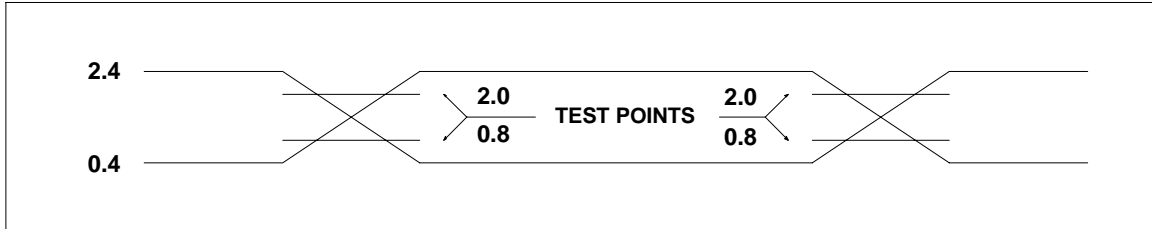
INSTRUCTION BINARY	HEX	MNEMONIC	OPERATION	STATUS AFFECTED
0 0111 01rr rrrr	07rr	SWAP R	R(0-3) \leftrightarrow R(4-7)	None
0 0111 10rr rrrr	07rr	JZA R	R+1 \rightarrow A, skip if zero	None
0 0111 11rr rrrr	07rr	JZ R	R+1 \rightarrow R, skip if zero	None
0 100b bbrr rrrr	0xxx	BC R,b	0 \rightarrow R(b)	None <Note2>
0 101b bbrr rrrr	0xxx	BS R,b	1 \rightarrow R(b)	None <Note3>
0 110b bbrr rrrr	0xxx	JBC R,b	if R(b)=0, skip	None
0 111b bbrr rrrr	0xxx	JBS R,b	if R(b)=1, skip	None
1 00kk kkkk kkkk	1kkk	CALL k	PC+1 \rightarrow [SP], (Page, k) \rightarrow PC	None
1 01kk kkkk kkkk	1kkk	JMP k	(Page, k) \rightarrow PC	None
1 1000 kkkk kkkk	18kk	MOV A,k	k \rightarrow A	None
1 1001 kkkk kkkk	19kk	OR A,k	A \vee k \rightarrow A	Z
1 1010 kkkk kkkk	1Akk	AND A,k	A & k \rightarrow A	Z
1 1011 kkkk kkkk	1Bkk	XOR A,k	A \oplus k \rightarrow A	Z
1 1100 kkkk kkkk	1Ckk	RETL k	k \rightarrow A, [Top of Stack] \rightarrow PC	None
1 1101 kkkk kkkk	1Dkk	SUB A,k	k-A \rightarrow A	Z,C,DC
1 1110 0000 0001	1E01	INT	PC+1 \rightarrow [SP], 001H \rightarrow PC	None
1 1111 kkkk kkkk	1Fkk	ADD A,k	k+A \rightarrow A	Z,C,DC

NOTE

- This instruction is applicable to IOC5~IOC6, IOCB~IOCF only.
- This instruction is not recommended for RF operation.
- This instruction cannot operate under RF.

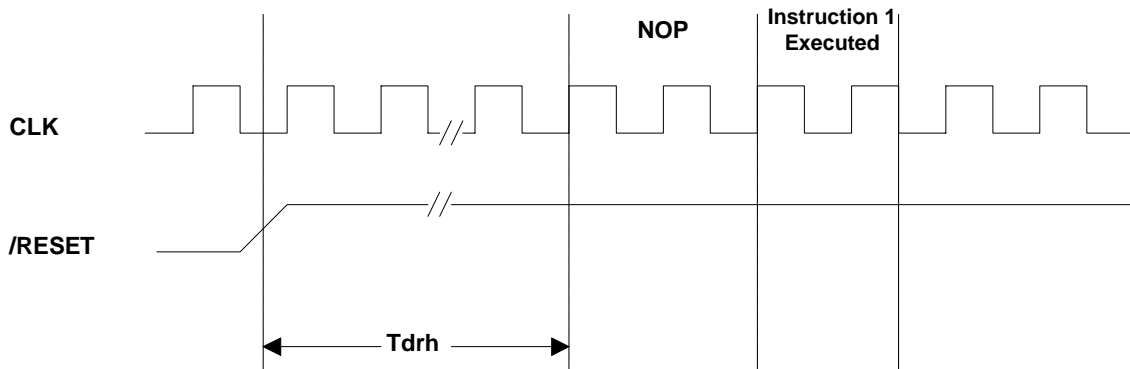
4.13 Timing Diagrams

AC Test Input/Output Waveform

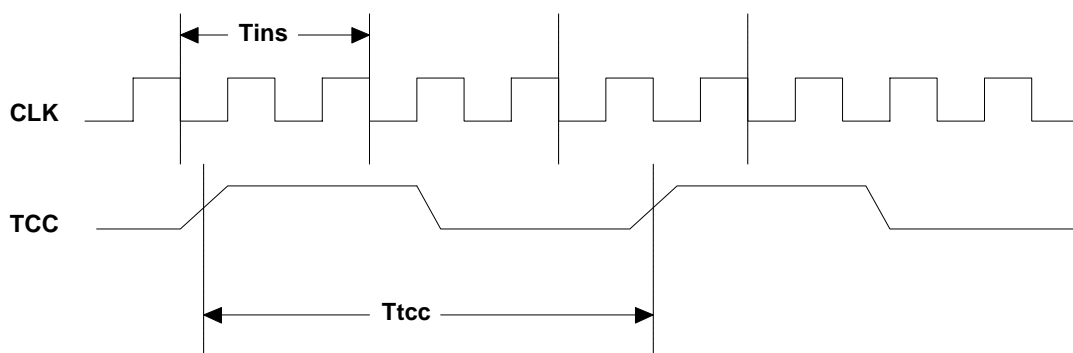


AC Testing : Input is driven at 2.4V for logic "1",and 0.4V for logic "0".Timing measurements are made at 2.0V for logic "1",and 0.8V for logic "0".

RESET Timing (CLK="0")



TCC Input Timing (CLKS="0")





5 ABSOLUTE MAXIMUM RATINGS

Items	Rating
Temperature under bias	0°C to 70°C
Storage temperature	-65°C to 150°C
Input voltage	V _{ss} -0.3V to V _{dd} +0.5V
Output voltage	V _{ss} -0.3V to V _{dd} +0.5V

6 ELECTRICAL CHARACTERISTICS

6.1 DC Electrical Characteristic

(T_a=25 °C, V_{DD}=5V±5%, V_{SS}=0V)

Symbol	Parameter	Condition	Min	Typ.	Max	Unit
FXT	XTAL: VDD to 3V	Two cycle with two clocks	DC		8.0	MHz
	XTAL: VDD to 5V	Two cycle with two clocks	DC		20.0	MHz
ERC	ERC: VDD to 5V	R: 5.1KΩ, C: 100 pF	F±30%	940	F±30%	KHz
IIL	Input Leakage Current for input pins	V _{IN} = V _{DD} , V _{SS}			±1	μA
VIH1	Input High Voltage (VDD=5V)	Ports 5, 6	2.0			V
VIL1	Input Low Voltage (VDD=5V)	Ports 5, 6			0.8	V
VIHT1	Input High Threshold Voltage (VDD=5V)	/RESET, TCC(Schmitt trigger)	2.0			V
VILT1	Input Low Threshold Voltage (VDD=5V)	/RESET, TCC(Schmitt trigger)			0.8	V
VIHX1	Clock Input High Voltage (VDD=5V)	OSCI	3.5			V
VILX1	Clock Input Low Voltage (VDD=5V)	OSCI			1.5	V
VIH2	Input High Voltage (VDD=3V)	Ports 5, 6	1.5			V
VIL2	Input Low Voltage (VDD=3V)	Ports 5, 6			0.4	V
VIHT2	Input High Threshold Voltage (VDD=3V)	/RESET, TCC(Schmitt trigger)	1.5			V
VILT2	Input Low Threshold Voltage (VDD=3V)	/RESET, TCC(Schmitt trigger)			0.4	V
VIHX2	Clock Input High Voltage (VDD=3V)	OSCI	2.1			V
VILX2	Clock Input Low Voltage (VDD=3V)	OSCI			0.9	V
VOH1	Output High Voltage (Ports 5)	I _{OH} = -12.0 mA	2.4			V
VOH1	Output High Voltage (Ports 6) (Schmitt trigger)	I _{OH} = -12.0 mA	2.4			V
VOL1	Output Low Voltage (Port5)	I _{OL} = 12.0 mA			0.4	V
VOL1	Output Low Voltage (Ports 6) (Schmitt trigger)	I _{OL} = 12.0 mA			0.4	V
IPH	Pull-high current	Pull-high active, input pin at V _{SS}	-50	-70	-240	μA
IPD	Pull-down current	Pull-down active, input pin at V _{DD}	25	50	120	μA
ISB1	Power down current	All input and I/O pins at V _{DD} , output pin floating, WDT disabled		1	2	μA
ISB2	Power down current	All input and I/O pins at V _{DD} , output pin floating, WDT enabled			10	μA



Symbol	Parameter	Condition	Min	Typ.	Max	Unit
ICC1	Operating supply current (VDD=3V) at two cycles/four clocks	/RESET= 'High', Fosc=32KHz (Crystal type,CLKS="0"), output pin floating, WDT disabled	15	15	30	μA
ICC2	Operating supply current (VDD=3V) at two cycles/four clocks	/RESET= 'High', Fosc=32KHz (Crystal type,CLKS="0"), output pin floating, WDT enabled		20	35	μA
ICC3	Operating supply current (VDD=5.0V) at two cycles/two clocks	/RESET= 'High', Fosc=4MHz (Crystal type, CLKS="0"), output pin floating, WDT enabled			2.0	mA
ICC4	Operating supply current (VDD=5.0V) at two cycles/four clocks	/RESET= 'High', Fosc=10MHz (Crystal type, CLKS="0"), output pin floating, WDT enabled			4.0	mA

6.2 AC Electrical Characteristic

(Ta=25 °C, VDD=5V±5%, VSS=0V)

Symbol	Parameter	Conditions	Min	Typ	Max	Unit
Dclk	Input CLK duty cycle		45	50	55	%
Tins	Instruction cycle time (CLKS="0")	Crystal type	100		DC	ns
		RC type	500		DC	ns
Ttcc	TCC input period		(Tins+20)/N*			ns
Tdrh	Device reset hold time	Ta = 25°C	11.8	16.8	21.8	ms
Trst	/RESET pulse width	Ta = 25°C	2000			ns
Twdt	Watchdog timer period	Ta = 25°C	11.8	16.8	21.8	ms
Tset	Input pin setup time			0		ns
Thold	Input pin hold time			20		ns
Tdelay	Output pin delay time	Cload=20pF		50		ns

* N= selected prescaler ratio.

6.3 Device Characteristic

The graphs provided in the following pages were derived based on a limited number of samples and are shown here for reference only. The device characteristic illustrated herein are not guaranteed for it accuracy. In some graphs, the data maybe out of the specified warranted operating range.

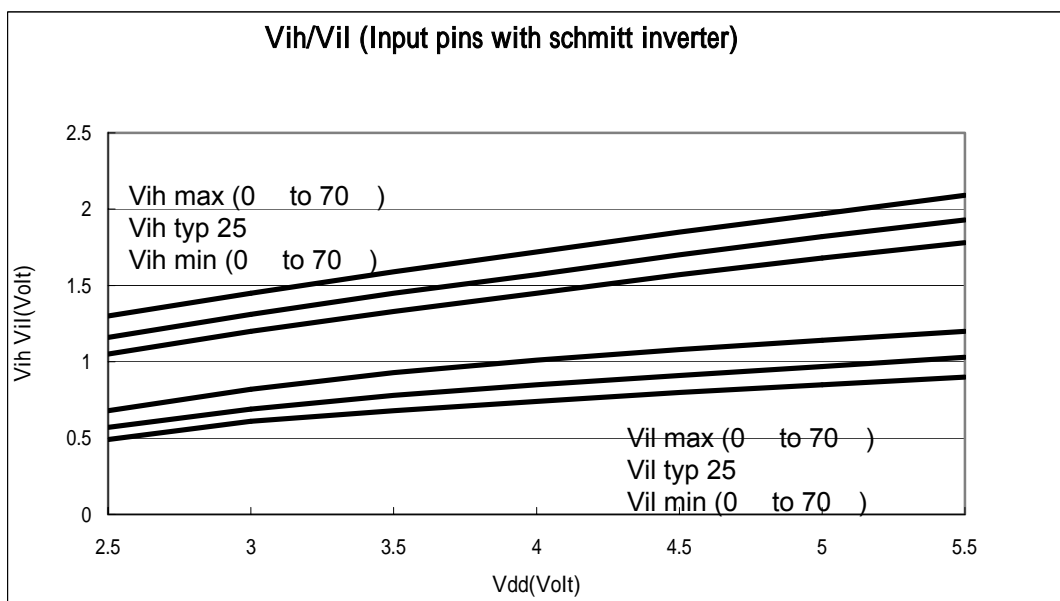


Fig. 17 Vih, Vil of Port6 vs. VDD

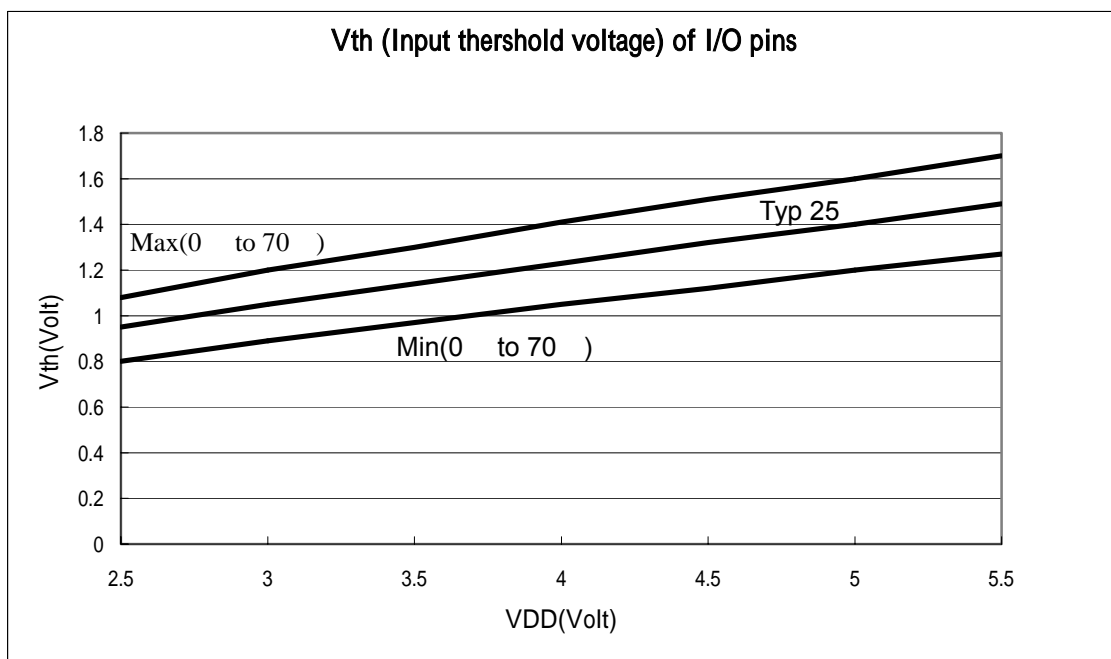


Fig. 18 Vth (Threshold voltage) of Port5 vs. VDD

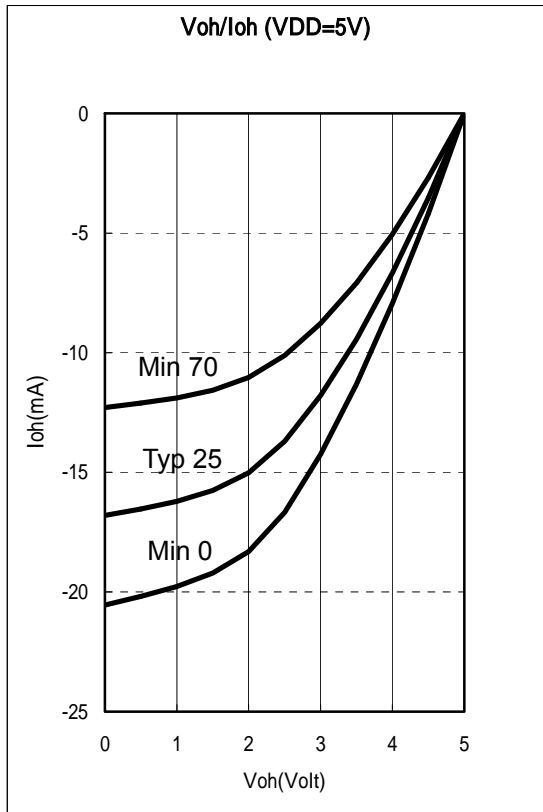


Fig. 19 Port5 and Port6 Voh vs. Ioh, DD=5V

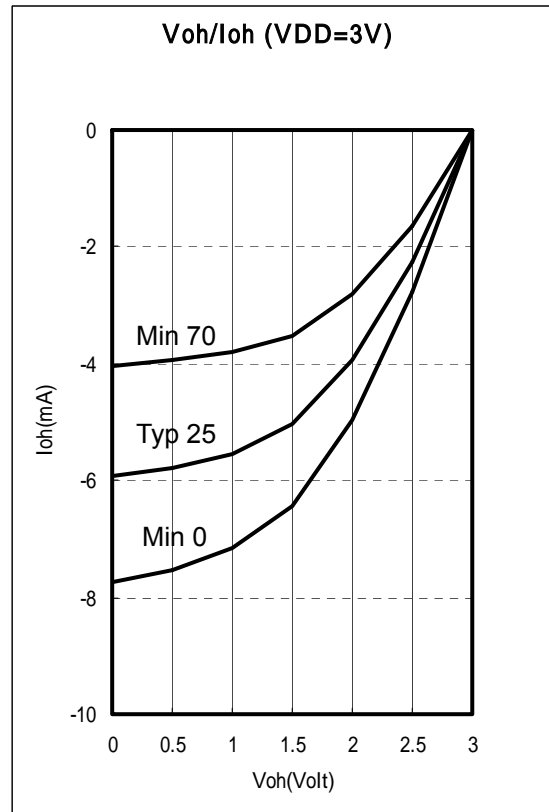


Fig. 20 Port5 and Port6 Voh vs. Ioh, VDD=3V

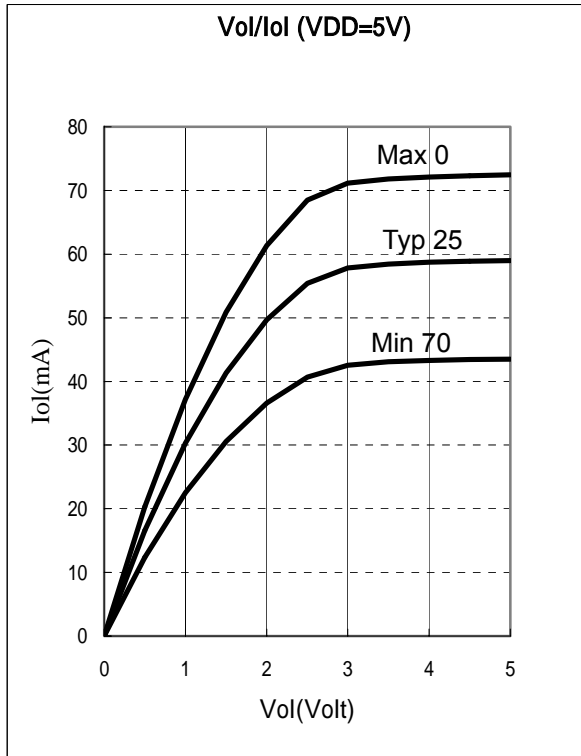


Fig. 22 Port5, Port6 Vol vs. Iol, VDD = 3V

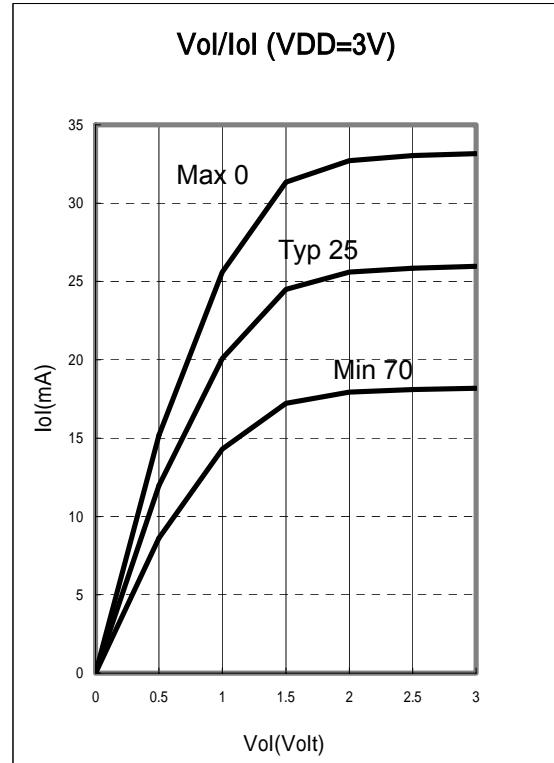


Fig. 21 Port5, Port6 Vol vs. Iol, VDD = 5V

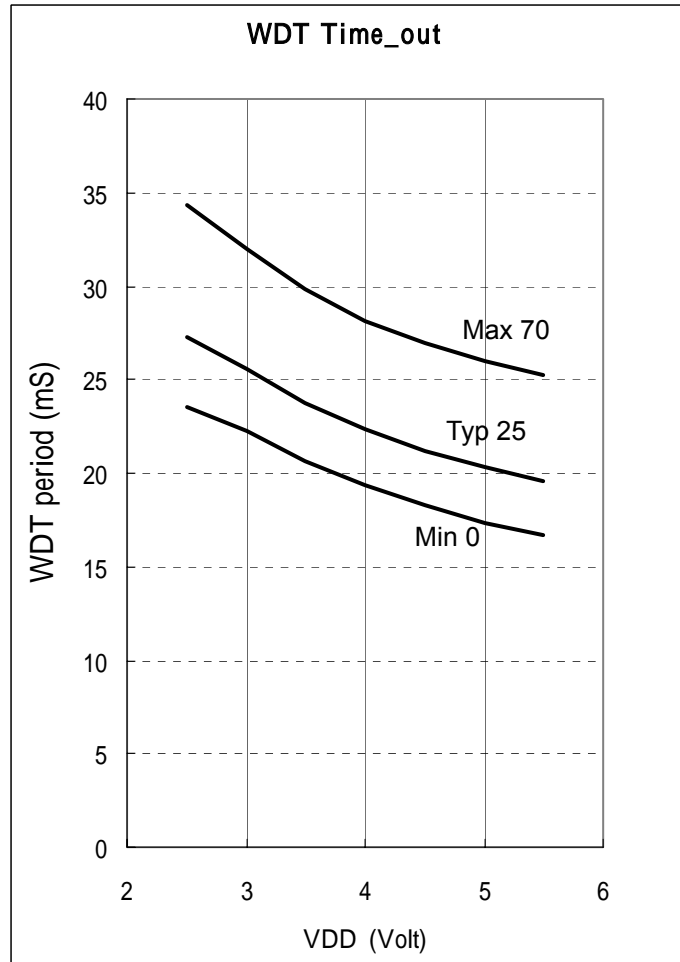


Fig. 23 WDT time out period vs. VDD, perscaler set to 1:1

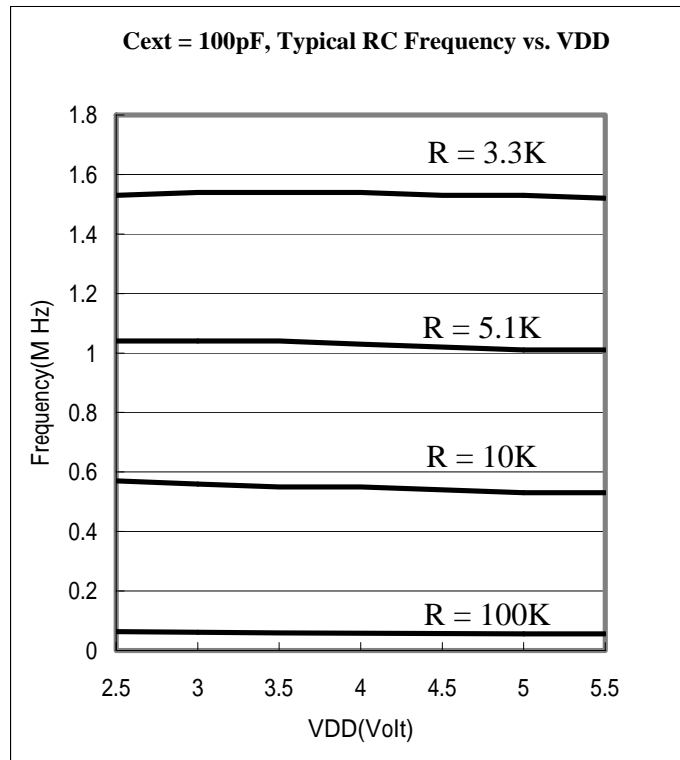


Fig. 24 Typical RC OSC Frequency vs. VDD (Cext= 100pF, Temperature at 25)

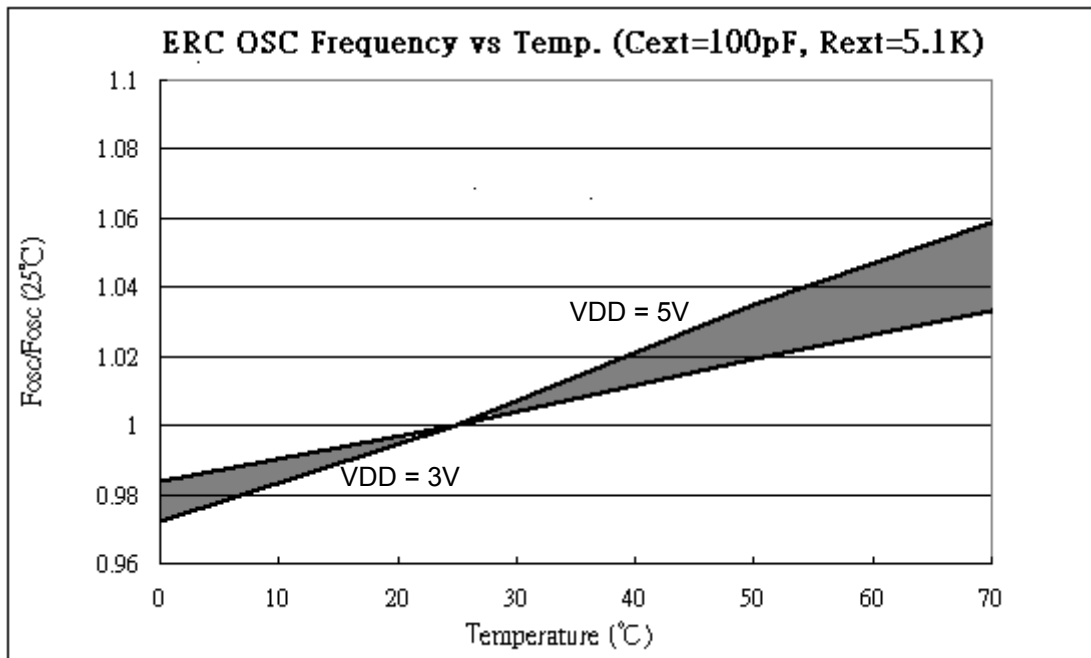


Fig. 25 Typical RC OSC Frequency vs. VDD (R and C are ideal components)



Four conditions exist with the Operating Current ICC1 to ICC4. These conditions are as follows:

ICC1: VDD=3V, Fosc=32K Hz, 2 clocks, WDT disable

ICC2: VDD=3V, Fosc=32K Hz, 2 clocks, WDT enable

ICC3: VDD=5V, Fosc=4M Hz, 2 clocks, WDT enable

ICC4: VDD=5V, Fosc=10M Hz, 2 clocks, WDT enable

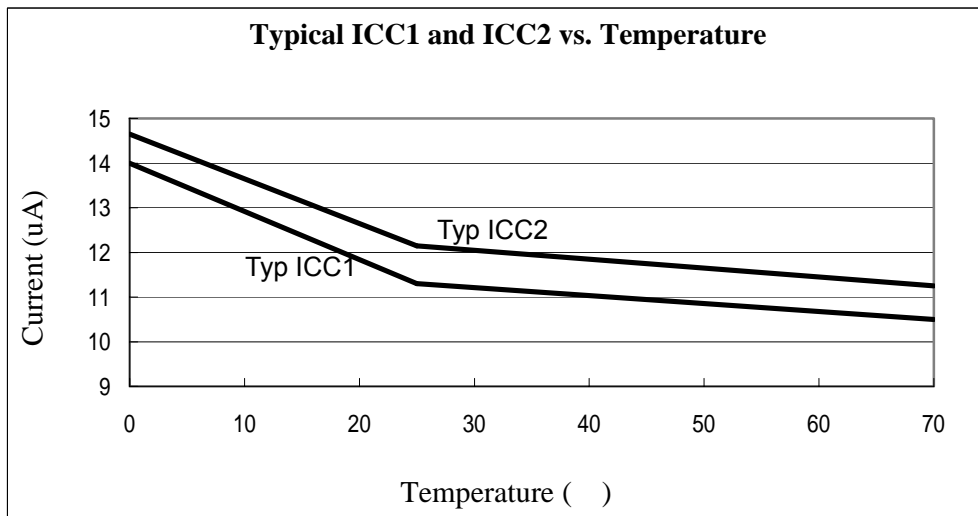


Fig. 26 Typical operating current (ICC1 and ICC2) vs. Temperature

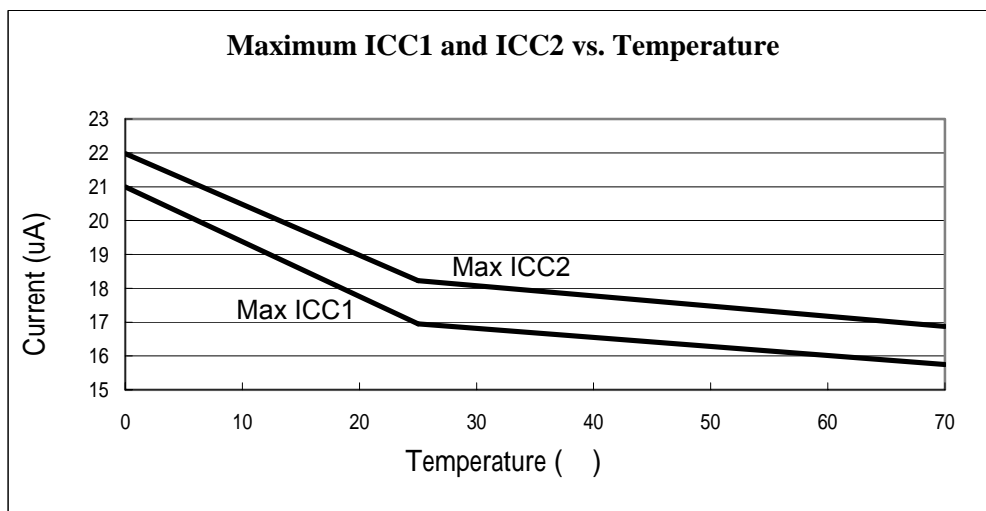


Fig. 27 Maximum operating current (ICC1 and ICC2) vs. Temperature

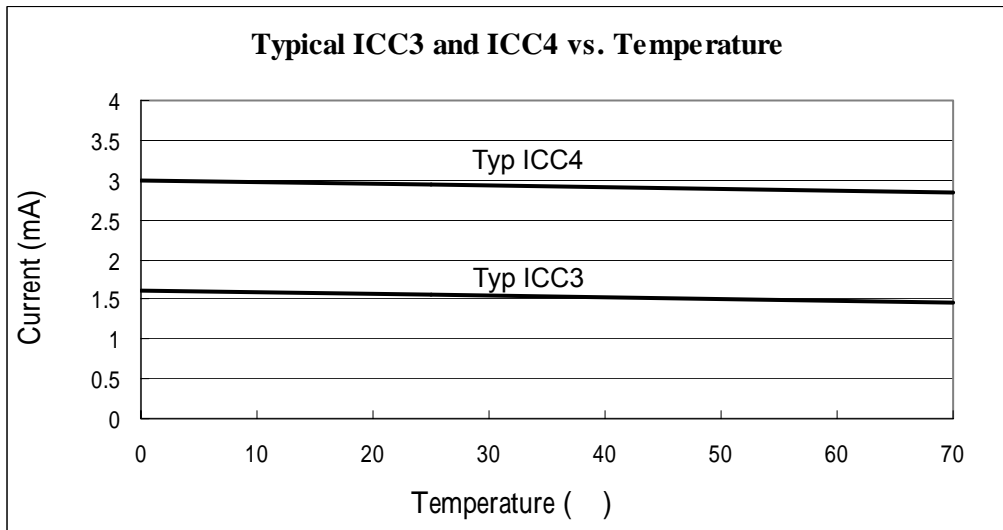


Fig. 28 Typical operating current (ICC3 and ICC4) vs. Temperature

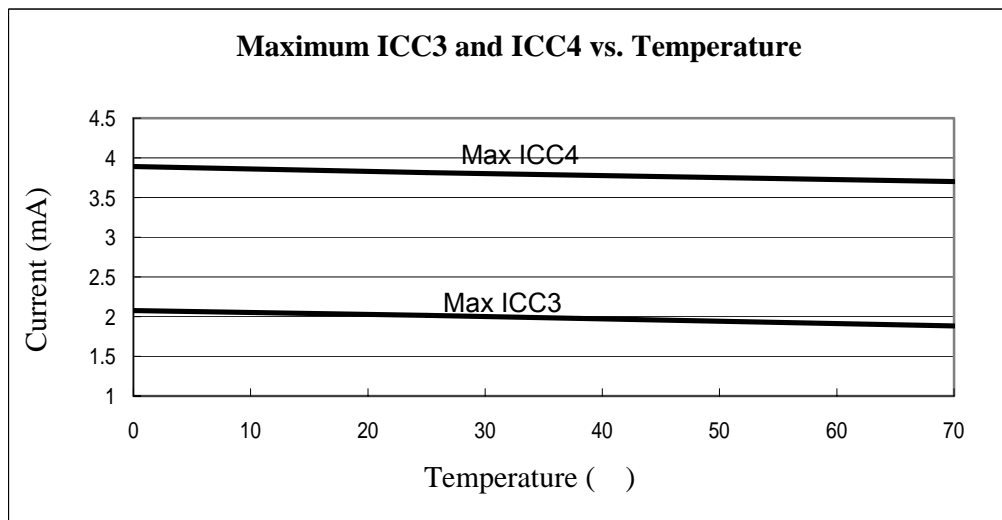


Fig. 29 Maximum operating current (ICC3 and ICC4) vs. Temperature



Two conditions exist with the Standby Current ISB1 and ISB2. These conditions are as follows:

ISB1: VDD=5V, WDT disable

ISB2: VDD=5V, WDT enable

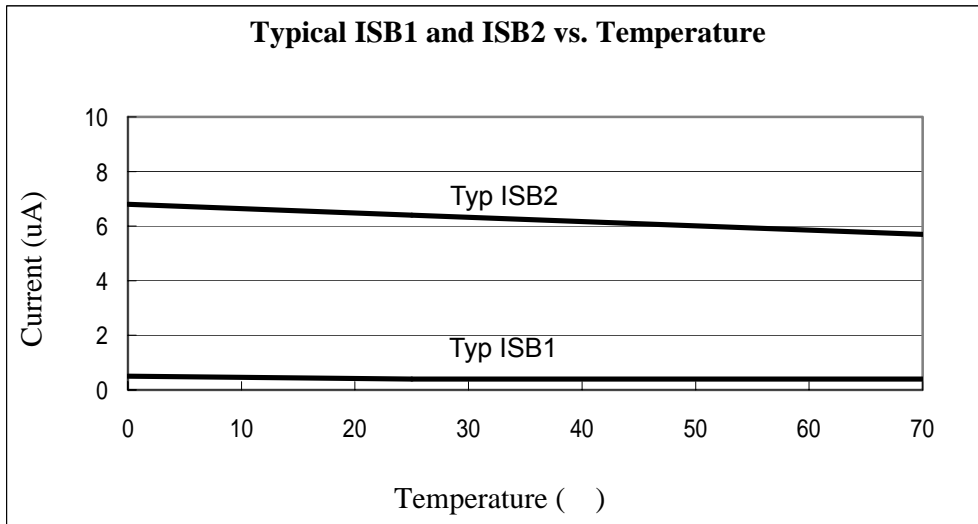


Fig. 30 Typical standby current (ISB1 and ISB2) vs. Temperature

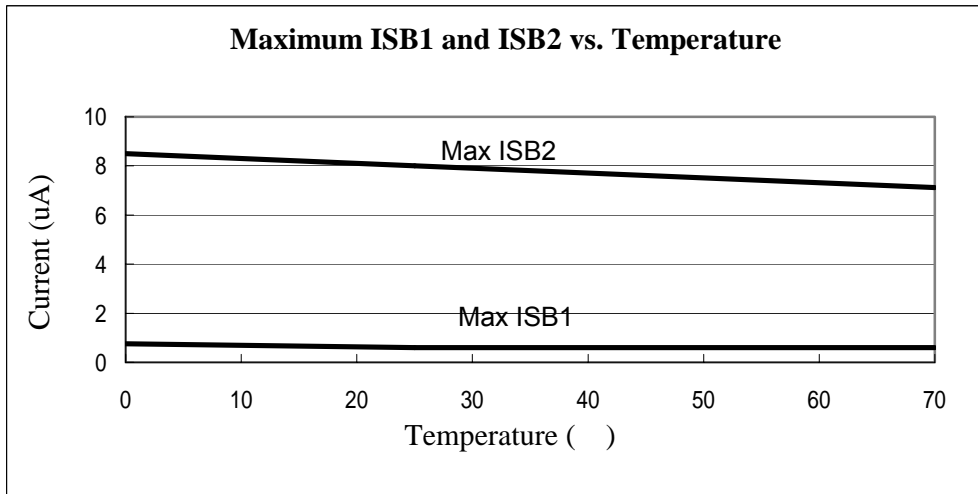


Fig. 31 Maximum standby current (ISB1 and ISB2) vs. Temperature

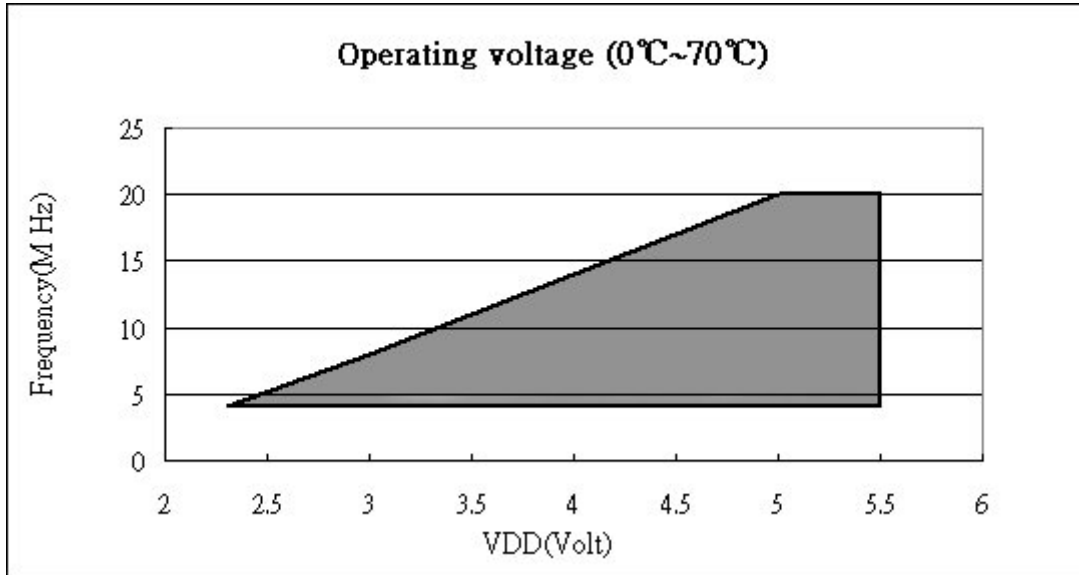


Fig. 32 Operating voltage in temperature range from 0 to 70

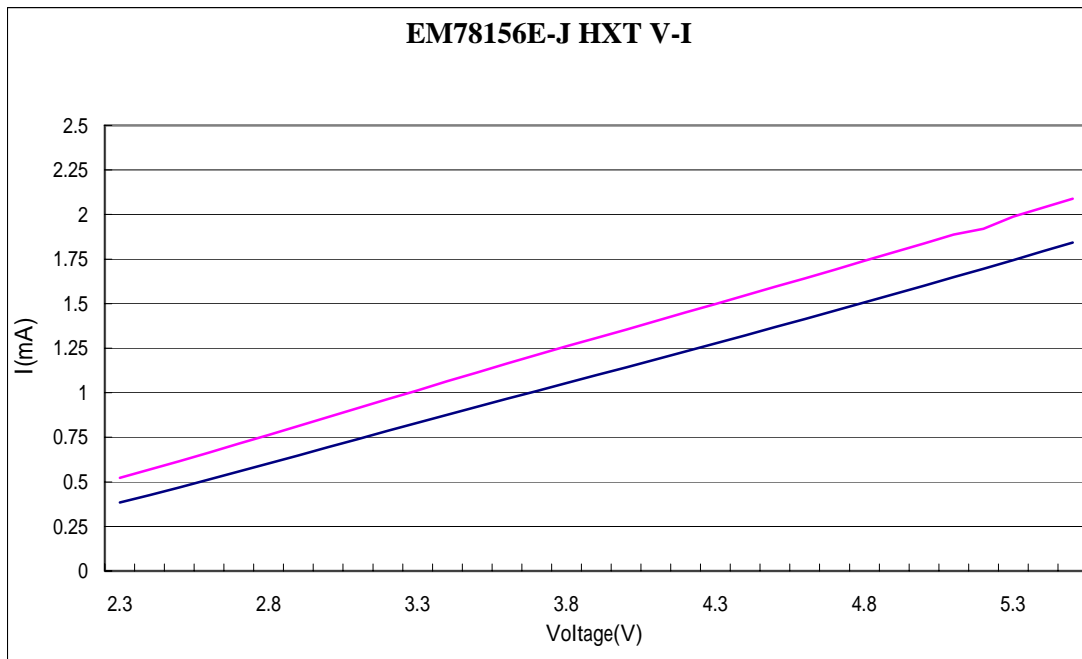


Fig. 33 Operating current range (based on high Freq. @ =25) vs. Voltage

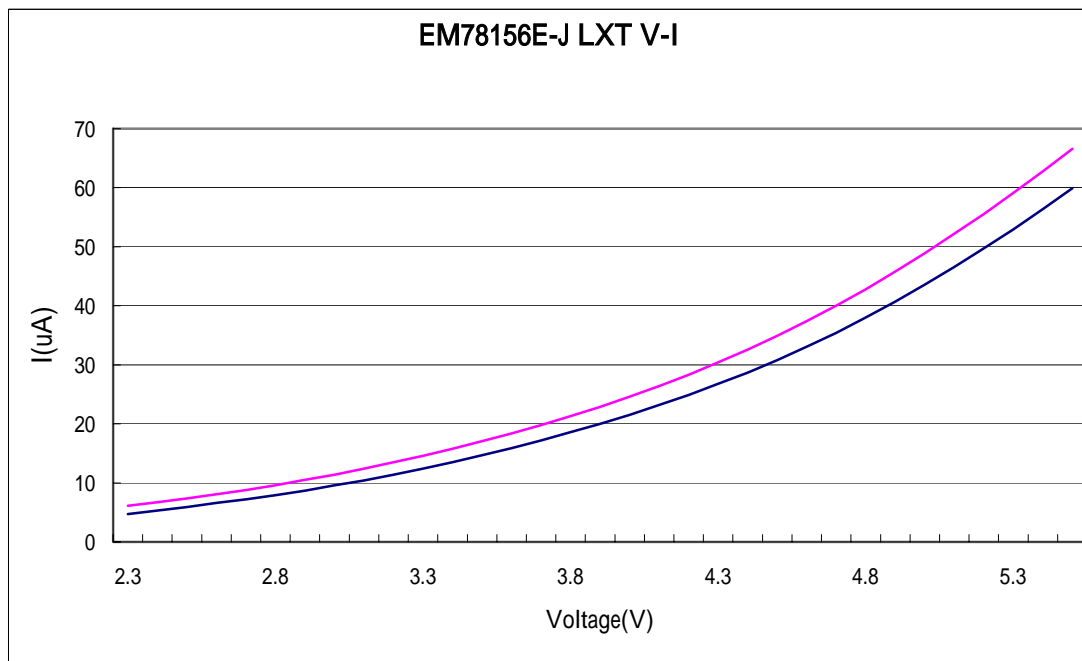


Fig. 34 Operating current range (based on low Freq. @ =25) vs. Voltage

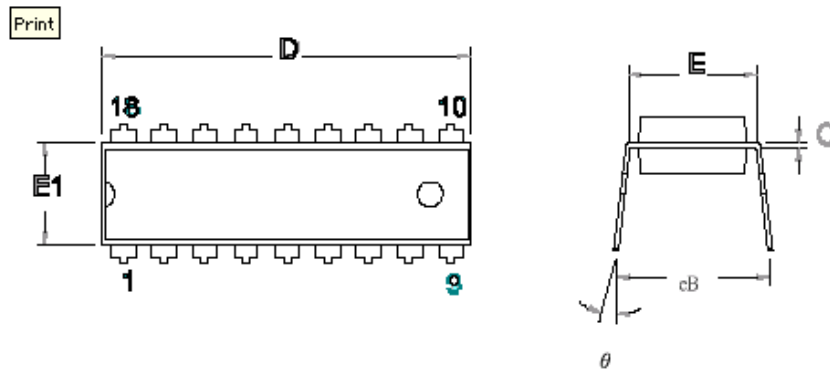
APPENDIX

A Package Types


MASK MCU	Package Type	Pin Count	Package Size
EM78156EP	DIP	18	300 mil
EM78156EM	SOP	18	300 mil
EM78156EAS	SSOP	20	209 mil
EM78156EKM	SSOP	20	209 mil

B Package Information

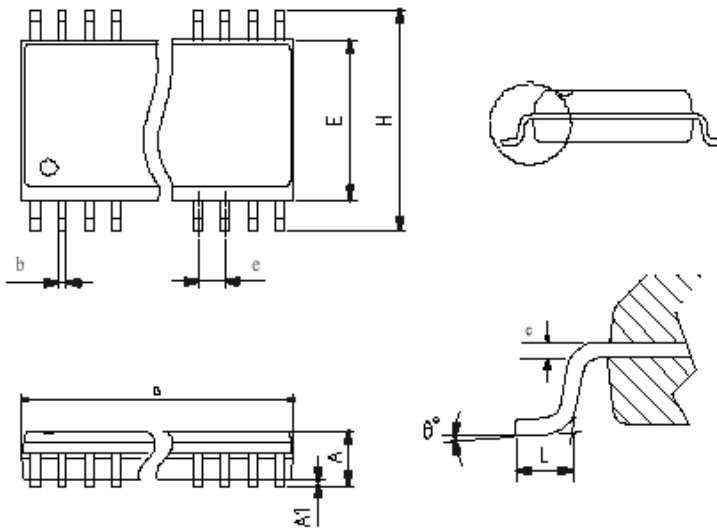
18-Lead Plastic Dual in line (PDIP) — 300 mil




Symbol	Min	Normal	Max
A			4,450
A1	0,381		
A2	3,175	3,302	3,429
c	0,203	0,254	0,356
D	22,610	22,860	23,110
E1	6,220	6,438	6,655
E	7,370	7,620	7,870
eB	8,510	9,020	9,530
B	0,356	0,457	0,559
B1	1,143	1,524	1,778
L	3,048	3,302	3,556
e	2,540(TYP)		
θ	0		15

TITLE: PDP-18L 300MIL PACKAGE OUTLINE DIMENSION	
File : = D18	Edition: A
	Unit : mm
	Scale: Free
	Material:
Sheet: 1 of 1	

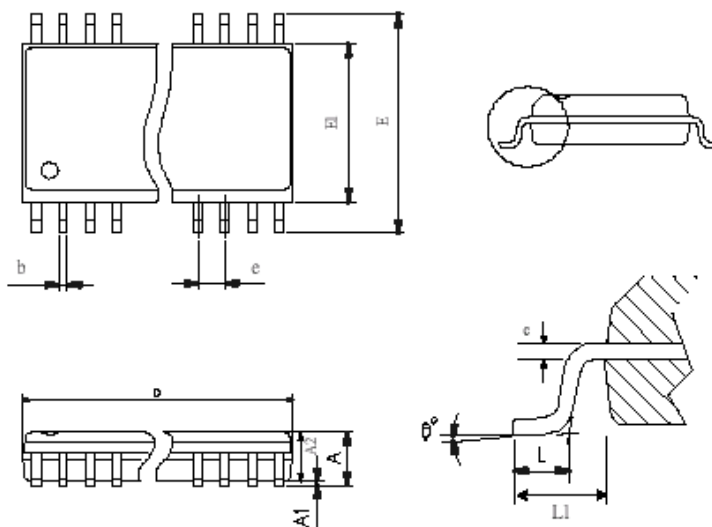
18-Lead Plastic Small Outline (SOP) — 300 mil




Symbol	Min	Normal	Max
A	2.350		2.650
A1	0.102		0.300
b	0.406(TYP)		
c	0.230		0.320
E	7.400		7.600
H	10.000		10.650
D	11.350		11.750
L	0.406	0.838	1.270
e	1.27(TYP)		
θ°	0		8

TITLE: SOP-18(300MIL) PACKAGE OUTLINE DIMENSION	
File : = SOP18	Edition: A
	Unit : mm
	Scale: Free
	Material:
	Sheet:1 of 1

20-Lead Plastic Small Outline (SSOP) — 209 mil



Symbol	Min	Normal	Max
A			2.130
A1	0.050		0.250
A2	1.620	1.750	1.880
b	0.220		0.380
c	0.090		0.200
E	7.400	7.800	8.200
E1	5.000	5.300	5.600
D	6.900	7.200	7.500
L	0.650	0.750	0.850
L1	1.250(REF)		
e	0.650(TYP)		
θ°	0	4	8

TITLE: SSOP-20 PACKAGE OUTLINE DIMENSION	
File : = SSOP20	Edition: A
	Unit : mm
	Scale: Free
	Material:
	Sheet:1 of 1