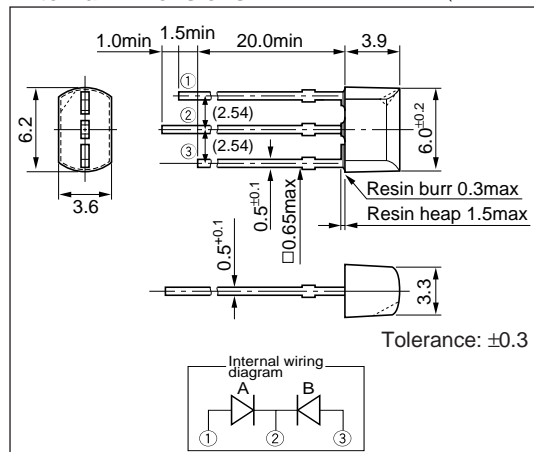


3.3×6 Rectangular Bicolor LED (Direct Mount)

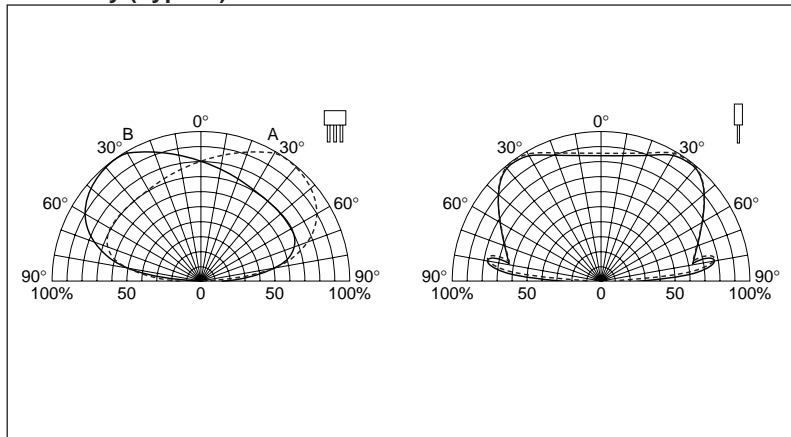
SML70020 Series

External Dimensions

(Unit: mm)



Directivity (Typical)



Absolute maximum ratings (Ta=25°C)

Symbol	Unit	Rating	Condition
I_F	mA	30	
ΔI_F	mA/°C	-0.45	Above 25°C
I_{FP}	mA	100	f=1kHz, tw≤100μs
V_R	V	4	
Top	°C	-30 to +85	
Tstg	°C	-30 to +100	

Electrical Optical characteristics (Ta=25°C)

●Common cathode

Emitting color	Part Number	Lens color	Forward voltage		Reverse current		Intensity		Peak wavelength		Spectrum half width		Chip material	
			V_F (V)		I_R (μA)	V_R (V)	I_v (mcd)	Condition I_F (mA)	λ_P (nm)	Condition I_F (mA)	$\Delta\lambda$ (nm)	Condition I_F (mA)		
			typ	max										Condition I_F (mA)
A Red	SML72420C	Clear	1.9	2.5	10	10	4	15	20	630	10	35	10	GaAsP
B Green			2.0	2.5	10	10	4	20	20	560	10	20	10	GaP
A Amber	SML78420C	Clear	1.9	2.5	10	10	4	10	20	610	10	35	10	GaAsP
B Green			2.0	2.5	10	10	4	20	20	560	10	20	10	GaP
A Orange	SML79420C	Clear	1.9	2.5	10	10	4	10	20	587	10	33	10	GaAsP
B Green			2.0	2.5	10	10	4	20	20	560	10	20	10	GaP