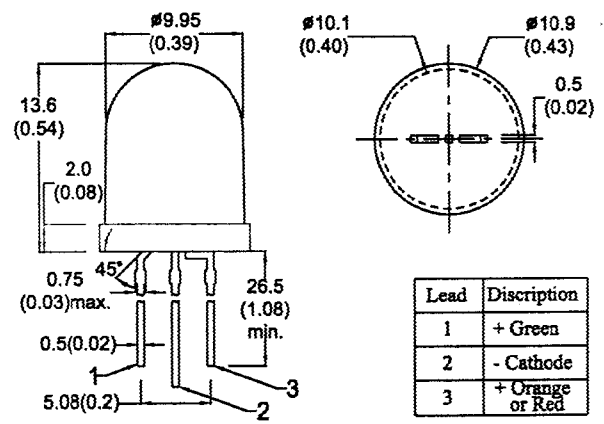


### DESCRIPTION

An orange and green lamp made of GaP offering a changing color characteristic dependent on the direction the lamp is biased. These two light emitting diodes are mounted in a 10mm diameter dual color package.



- All dimension in mm(inch)
- No Scale
- Tol. : +/-0.3mm

### ABSOLUTE MAXIMUM RATINGS

Power Dissipation @ Ta=25°C  
 Forward Current, DC (IF)  
 Reverse Voltage  
 Operating & Storage Temperature Range  
 Lead Temperature

100mW  
 30mA  
 5V  
 -55 to +100°C  
 260°C

### ELECTRO-OPTICAL CHARACTERISTICS (Ta=25°C)

PARAMETER	SYMBOL	ORANGE	GREEN	UNIT	CONDITIONS
Forward Voltage	MAX VF	3.0	3.0	V	IF=20mA
Reverse Breakdown Voltage	MIN BVR	5	5	V	IR=100μA
Luminous Intensity	MIN IV	13	14	mcd	IF=20mA
	TYP	18	20	mcd	
Peak Wavelength	TYP λp	630	570	nm	IF=20mA
Spectral Line Half Width	TYP Δλ	40	30	nm	IF=20mA

