

## Fundamental Quartz Crystal Oscillator

### ■GENERAL DESCRIPTION

The NJU6367 series is a C-MOS fundamental quartz crystal oscillator that consists of an oscillation amplifier, 3-stage divider and 3-state output buffer.

The 3-stage divider generates one frequency selected of  $f_0, f_0/2, f_0/4, f_0/8, f_0/16$  and  $f_0/32$  by internal circuits is output.

The oscillation amplifier is realized very low stand-by current using NAND circuit.

The 3-state output buffer is C-MOS compatible.

### ■PACKAGE OUTLINE



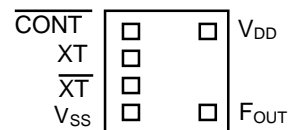
NJU6367XC-D

### ■FEATURES

- Operating Voltage 2.0 to 5.5V
- Maximum Oscillation Frequency 50MHz
- Low Operating Current
- High Fan-out
  - $I_{OH}/I_{OL}=5mA@2.5V$
  - $I_{OH}/I_{OL}=6mA@3.0V$
  - $I_{OH}/I_{OL}=12mA@5.0V$
- 3-Stage Divider Maximum Divider  $f_0/32$
- Oscillation Stop and Output Stand-by Function
- 3-State Output Buffer
- Oscillation Capacitors  $C_g$  and  $C_d$  on-chip
- Package Outline Thin-Chip
- C-MOS Technology

### ■PAD LOCATION

Thin-Chip



### ■LINE-UP TABLE

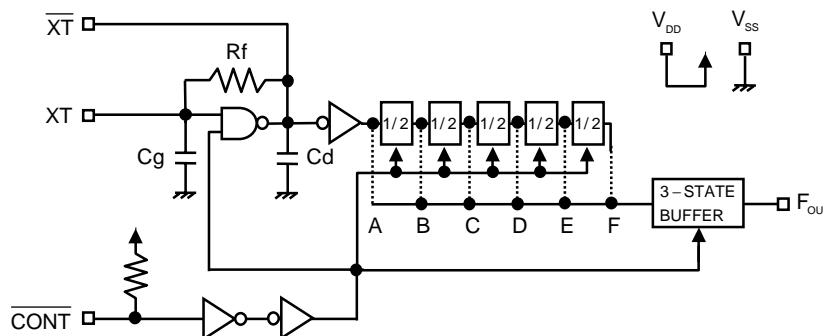
Type No.	F <sub>OUT</sub>	Internal Connect	C <sub>g</sub> /C <sub>d</sub>	
NJU6367	A	$f_0$	Connected A Line	23/23pF
	B	$f_0/2$	Connected B Line	23/23pF
	C	$f_0/4$	Connected C Line	23/23pF
	D	$f_0/8$	Connected D Line	23/23pF
	E	$f_0/16$	Connected E Line	23/23pF
	F	$f_0/32$	Connected F Line	23/23pF
	P	$f_0$	Connected A Line	Non

### ■COORDINATES

No	Pad Name	X	Y
1	$\overline{\text{CONT}}$	-178	231
2	XT	-178	77
3	$\overline{\text{XT}}$	-178	-77
4	V <sub>SS</sub>	-178	-231
5	F <sub>OUT</sub>	206	-231
6	V <sub>DD</sub>	206	231

Starting Point: Chip Center Unit[um]  
 Chip Size: 0.7x0.75mm  
 Thin-Chip Thickness(-D): 200±20um  
 Pad Size: 90x90um

### ■BLOCK DIAGRAM





## ■ ELECTRICAL CHARACTERISTICS

(Ta=25°C)

PARAMETER	SYMBOL	CONDITIONS	MIN	TYP	MAX	UNIT
Operating Voltage	V <sub>DD</sub>		2.0		5.5	V

(V<sub>DD</sub>=2.5V, Ta=25°C)

PARAMETER	SYMBOL	CONDITIONS	MIN	TYP	MAX	UNIT
Operating Current	I <sub>DD</sub>	A version, fosc=16MHz, C <sub>L</sub> =15pF			5	mA
		B version, fosc=16MHz, C <sub>L</sub> =15pF			4	
		C version, fosc=16MHz, C <sub>L</sub> =15pF			3	
		D version, fosc=16MHz, C <sub>L</sub> =15pF			3	
		E version, fosc=16MHz, C <sub>L</sub> =15pF			3	
		F version, fosc=16MHz, C <sub>L</sub> =15pF			3	
		P version, fosc=16MHz, C <sub>L</sub> =15pF Note4)			5	
Oscillation Stopping Current	I <sub>STB</sub>	$\overline{\text{CONT}} = V_{SS}$ , No load		2	5	uA
Stand-by Current	I <sub>st</sub>	$\overline{\text{CONT}} = \overline{\text{XT}} = V_{SS}$ , No load Note5)			1	uA
Input Voltage	V <sub>IH</sub>		2.0		2.5	V
	V <sub>IL</sub>		0		0.5	V
Output Current	I <sub>OH</sub>	V <sub>OH</sub> =2.2V	5			mA
	I <sub>OL</sub>	V <sub>OL</sub> =0.3V	5			mA
Input Current	I <sub>IN</sub>	$\overline{\text{CONT}} = 0.8V_{DD}$		7.5	12.0	uA
		$\overline{\text{CONT}} = 0.2V_{DD}$		1.2	2.0	uA
3-state Off Leakage Current	I <sub>OZ</sub>	$\overline{\text{CONT}} = V_{SS}$ , F <sub>OUT</sub> = V <sub>DD</sub> or V <sub>SS</sub>			±0.1	uA
Feedback Resistance	R <sub>f</sub>			227		KΩ
Internal Capacitor	C <sub>g</sub> /C <sub>d</sub>	fosc=16MHz, A/B/C/D/E/F version		23/23		pF
		P version		-		
Maximum Oscillation Frequency	F <sub>MAX</sub>		50			MHz
Output Signal Symmetry	SYM	C <sub>L</sub> =15pF, @V <sub>DD</sub> /2	45	50	55	%
		C <sub>L</sub> =30pF, @V <sub>DD</sub> /2	45	50	55	
Output Signal Rise Time	tr	C <sub>L</sub> =15pF, 10% to 90%		3	6	ns
		C <sub>L</sub> =30pF, 10% to 90%		4	8	
Output Signal Fall Time	tf	C <sub>L</sub> =15pF, 90% to 10%		3	6	ns
		C <sub>L</sub> =30pF, 90% to 10%		4	8	
Output Disable time	T <sub>PLZ</sub>	C <sub>L</sub> =15pF, R <sub>UP</sub> =10kΩ			200	ns
Output Enable Time	T <sub>PZL</sub>	C <sub>L</sub> =15pF, R <sub>UP</sub> =10kΩ			200	ns

Note4) P version is measured with external capacitors contained 23pF for C<sub>g</sub> and 23pF for C<sub>d</sub>.

Note5) Excluding input current on  $\overline{\text{CONT}}$  Terminal.

( $V_{DD}=3.0V, T_a=25^{\circ}C$ )

PARAMETER	SYMBOL	CONDITIONS	MIN	TYP	MAX	UNIT
Operating Current	$I_{DD}$	A version, $f_{osc}=16MHz, C_L=15pF$			6	mA
		B version, $f_{osc}=16MHz, C_L=15pF$			5	
		C version, $f_{osc}=16MHz, C_L=15pF$			4	
		D version, $f_{osc}=16MHz, C_L=15pF$			4	
		E version, $f_{osc}=16MHz, C_L=15pF$			4	
		F version, $f_{osc}=16MHz, C_L=15pF$			4	
		P version, $f_{osc}=16MHz, C_L=15pF$ Note4)			6	
Oscillation Stopping Current	$I_{STB}$	$\overline{CONT} = V_{SS}$ , No load		2	5	uA
Stand-by Current	$I_{st}$	$\overline{CONT} = XT = V_{SS}$ , No load Note5)			1	uA
Input Voltage	$V_{IH}$		2.1		3.0	V
	$V_{IL}$		0		0.9	V
Output Current	$I_{OH}$	$V_{OH}=2.7V$	6			mA
	$I_{OL}$	$V_{OL}=0.3V$	6			mA
Input Current	$I_{IN}$	$\overline{CONT} = 0.8V_{DD}$		10.0	15.0	uA
		$\overline{CONT} = 0.2V_{DD}$		1.8	3.0	uA
3-state Off Leakage Current	$I_{OZ}$	$\overline{CONT} = V_{SS}$ , $F_{OUT} = V_{DD}$ or $V_{SS}$			$\pm 0.1$	uA
Feedback Resistance	$R_f$			227		K $\Omega$
Internal Capacitor	$C_g/C_d$	$f_{osc}=16MHz$ , A/B/C/D/E/F version		23/23		pF
		P version		-		
Maximum Oscillation Frequency	$F_{MAX}$		50			MHz
Output Signal Symmetry	SYM	$C_L=15pF$ , @ $V_{DD}/2$	45	50	55	%
		$C_L=30pF$ , @ $V_{DD}/2$	45	50	55	
Output Signal Rise Time	$t_r$	$C_L=15pF$ , 10% to 90%		3	6	ns
		$C_L=30pF$ , 10% to 90%		4	8	
Output Signal Fall Time	$t_f$	$C_L=15pF$ , 90% to 10%		3	6	ns
		$C_L=30pF$ , 90% to 10%		4	8	
Output Disable time	$T_{PLZ}$	$C_L=15pF, R_{UP}=10k\Omega$			150	ns
Output Enable Time	$T_{PZL}$	$C_L=15pF, R_{UP}=10k\Omega$			150	ns

Note4) P version is measured with external capacitors contained 23pF for  $C_g$  and 23pF for  $C_d$ .

Note5) Excluding input current on  $\overline{CONT}$  Terminal.

( $V_{DD}=5.0V, T_a=25^{\circ}C$ )

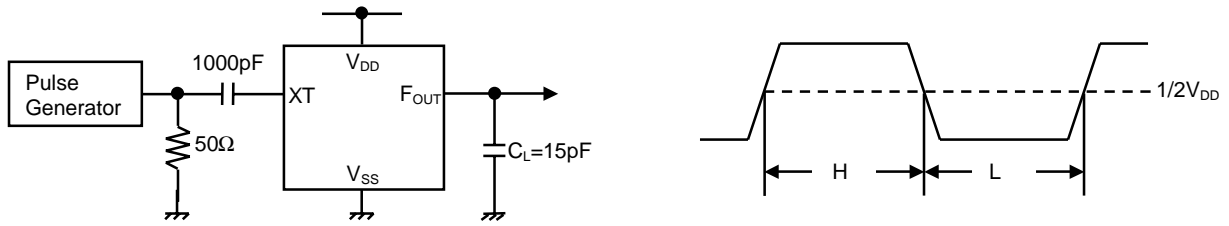
PARAMETER	SYMBOL	CONDITIONS	MIN	TYP	MAX	UNIT
Operating Current	$I_{DD}$	A version, $f_{osc}=16MHz, C_L=15pF$			10	mA
		B version, $f_{osc}=16MHz, C_L=15pF$			9	
		C version, $f_{osc}=16MHz, C_L=15pF$			9	
		D version, $f_{osc}=16MHz, C_L=15pF$			8	
		E version, $f_{osc}=16MHz, C_L=15pF$			8	
		F version, $f_{osc}=16MHz, C_L=15pF$			8	
		P version, $f_{osc}=16MHz, C_L=15pF$ Note4)			10	
Oscillation Stopping Current	$I_{STB}$	$\overline{CONT} = V_{SS}$ , No load		5	10	$\mu A$
Stand-by Current	$I_{st}$	$\overline{CONT} = XT = V_{SS}$ , No load Note5)			1	$\mu A$
Input Voltage	$V_{IH}$		3.5		5.0	V
	$V_{IL}$	$V_{OH}=4.5V$	0		1.5	V
Output Current	$I_{OH}$	$V_{OL}=0.5V$	12			mA
	$I_{OL}$	$\overline{CONT} = 0.8V_{DD}$	12			mA
Input Current	$I_{IN}$	$\overline{CONT} = 0.2V_{DD}$		27.0	40.0	$\mu A$
		$\overline{CONT} = V_{SS}$ , $F_{OUT} = V_{DD}$ or $V_{SS}$		5.5	8.0	$\mu A$
3-state Off Leakage Current	$I_{OZ}$				$\pm 0.1$	$\mu A$
Feedback Resistance	$R_f$			227		$K\Omega$
Internal Capacitor	$C_g/C_d$	$f_{osc}=16MHz$ , A/B/C/D/E/F version		23/23		pF
		P version		-		
Maximum Oscillation Frequency	$F_{MAX}$		50			MHz
Output Signal Symmetry	SYM	$C_L=15pF$ , @ $V_{DD}/2$	45	50	55	%
		$C_L=30pF$ , @ $V_{DD}/2$	45	50	55	
Output Signal Rise Time	$t_r$	$C_L=15pF$ , 10% to 90%		2	4	ns
		$C_L=30pF$ , 10% to 90%		3	6	
Output Signal Fall Time	$t_f$	$C_L=15pF$ , 90% to 10%		2	4	ns
		$C_L=30pF$ , 90% to 10%		3	6	
Output Disable time	$T_{PLZ}$	$C_L=15pF, R_{UP}=10k\Omega$			100	ns
Output Enable Time	$T_{PZL}$	$C_L=15pF, R_{UP}=10k\Omega$			100	ns

Note4) P version is measured with external capacitors contained 23pF for  $C_g$  and 23pF for  $C_d$ .

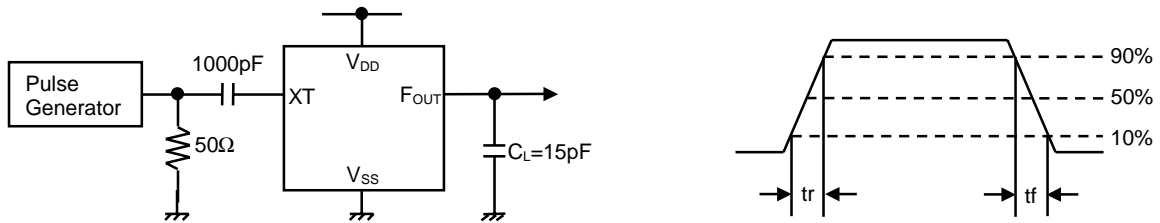
Note5) Excluding input current on  $\overline{CONT}$  Terminal.

MEASUREMENT CIRCUITS

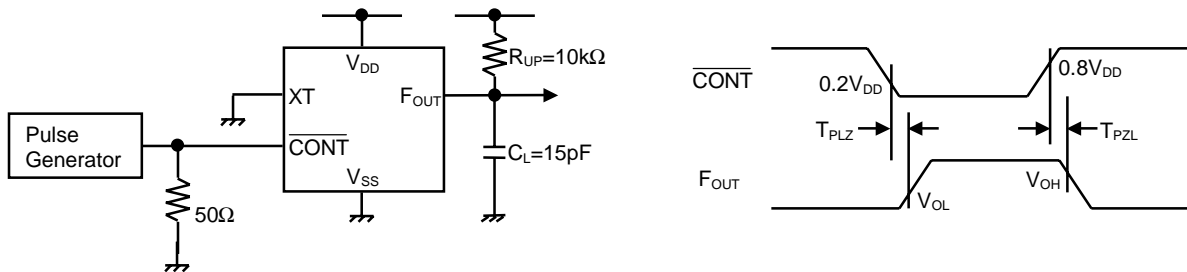
(1) Output Signal Symmetry ( $C_L=15\text{pF}$ )



(2) Output Signal Rise/Fall Time ( $C_L=15\text{pF}$ )



(3) Output Disable/Enable Time ( $C_L=15\text{pF}, R_{UP}=10\text{k}\Omega$ )



[CAUTION]  
 The specifications on this data book are only given for information, without any guarantee as regards either mistakes or omissions. The application circuits in this data book are described only to show representative usages of the product and not intended for the guarantee or permission of any right including the industrial rights.