

Square Type

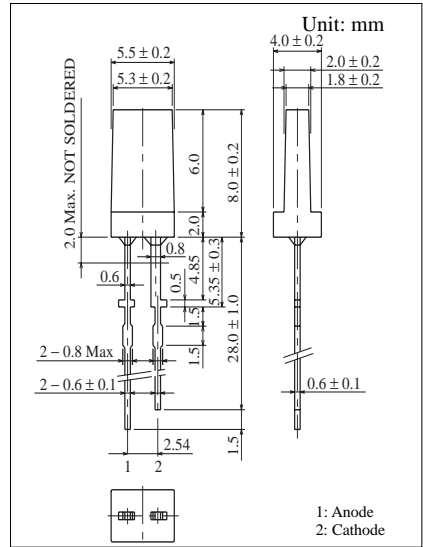
5.3 mm × 1.8 mm Series

Conventional Part No.	Global Part No.	Lighting Color
LN217RPH	LNG217RFR	Red
LN317GPH	LNG317GFG	Green
LN417YPH	LNG417YFX	Amber

■ Absolute Maximum Ratings ($T_a = 25^\circ\text{C}$)

Lighting Color	P_D (mW)	I_F (mA)	I_{FP} (mA)*	V_R (V)	T_{opr} ($^\circ\text{C}$)	T_{stg} ($^\circ\text{C}$)
Red	70	25	150	4	-25 ~ +85	-30 ~ +100
Green	90	30	150	4	-25 ~ +85	-30 ~ +100
Amber	90	30	150	4	-25 ~ +85	-30 ~ +100

I_{FP} の条件は duty 10% , Pulse width 1 msec. The condition of I_{FP} is duty 10%, Pulse width 1 msec



■ Electro-Optical Characteristics ($T_a = 25^\circ\text{C}$)

Conventional Part No.	Lighting Color	Lens Color	I_O		I_F	V_F		λ_P	$\Delta\lambda$	I_F	I_R	
			Typ	Min		Typ	Max				Max	V_R
LN217RPH	Red	Red Diffused	0.6	0.3	15	2.2	2.8	700	100	20	5	4
LN317GPH	Green	Green Diffused	1.5	0.4	20	2.2	2.8	565	30	20	10	4
LN417YPH	Amber	Amber Diffused	1.5	0.6	20	2.2	2.8	590	30	20	10	4
Unit	—	—	mcd	mcd	mA	V	V	nm	nm	mA	μA	V

