

100336 Low Power 4-Stage Counter/Shift Register

General Description

The 100336 operates as either a modulo-16 up/down counter or as a 4-bit bidirectional shift register. Three Select (S_n) inputs determine the mode of operation, as shown in the Function Select table. Two Count Enable (\overline{CEP} , \overline{CET}) inputs are provided for ease of cascading in multistage counters. One Count Enable (\overline{CET}) input also doubles as a Serial Data (D_0) input for shift-up operation. For shift-down operation, D_3 is the Serial Data input. In counting operations the Terminal Count (\overline{TC}) output goes LOW when the counter reaches 15 in the count/up mode or 0 (zero) in the count/down mode. In the shift modes, the \overline{TC} output repeats the Q_3 output. The dual nature of this \overline{TC}/Q_3 output and the D_0/\overline{CET} input means that one interconnection from one stage to the next higher stage serves as the link for multistage counting or shift-up operation. The indi-

vidual Preset (P_n) inputs are used to enter data in parallel or to preset the counter in programmable counter applications. A HIGH signal on the Master Reset (MR) input overrides all other inputs and asynchronously clears the flip-flops. In addition, a synchronous clear is provided, as well as a complement function which synchronously inverts the contents of the flip-flops. All inputs have 50 k Ω pull-down resistors.

Features

- 40% power reduction of the 100136
- 2000V ESD protection
- Pin/function compatible with 100136
- Voltage compensated operating range = -4.2V to -5.7V
- Available to industrial grade temperature range

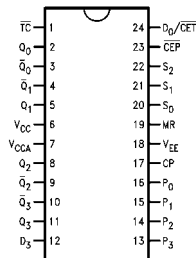
Ordering Code:

| Order Number | Package Number | Package Description |
|--------------|----------------|--|
| 100336SC | M24B | 24-Lead Small Outline Integrated Circuit (SOIC), JEDEC MS-013, 0.300 Wide |
| 100336PC | N24E | 24-Lead Plastic Dual-In-Line Package (PDIP), JEDEC MS-010, 0.400 Wide |
| 100336QC | V28A | 28-Lead Plastic Lead Chip Carrier (PLCC), JEDEC MO-047, 0.450 Square |
| 100336QI | V28A | 28-Lead Plastic Lead Chip Carrier (PLCC), JEDEC MO-047, 0.450 Square Industrial Temperature Range (-40°C to +85°C) |

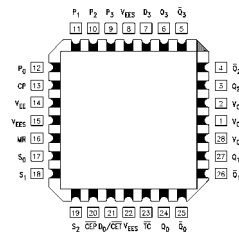
Devices also available in Tape and Reel. Specify by appending the suffix letter "X" to the ordering code.

Connection Diagrams

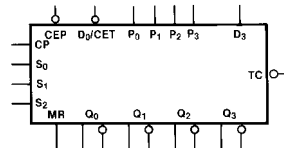
24-Pin DIP/SOIC



28-Pin PLCC



Logic Symbol



100336 Low Power 4-Stage Counter/Shift Register

Function Select Table

| S ₂ | S ₁ | S ₀ | Function |
|----------------|----------------|----------------|---------------|
| L | L | L | Parallel Load |
| L | L | H | Complement |
| L | H | L | Shift Left |
| L | H | H | Shift Right |
| H | L | L | Count Down |
| H | L | H | Clear |
| H | H | L | Count Up |
| H | H | H | Hold |

Pin Descriptions

| Pin Names | Description |
|---|--|
| CP | Clock Pulse Input |
| $\overline{\text{CEP}}$ | Count Enable Parallel Input (Active LOW) |
| $\overline{\text{D}_0/\text{CET}}$ | Serial Data Input/Count Enable |
| | Trickle Input (Active LOW) |
| S ₀ -S ₂ | Select Inputs |
| MR | Master Reset Input |
| P ₀ -P ₃ | Preset Inputs |
| D ₃ | Serial Data Input |
| TC | Terminal Count Output |
| Q ₀ -Q ₃ | Data Outputs |
| $\overline{\text{Q}_0}$ - $\overline{\text{Q}_3}$ | Complementary Data Outputs |

Truth Table

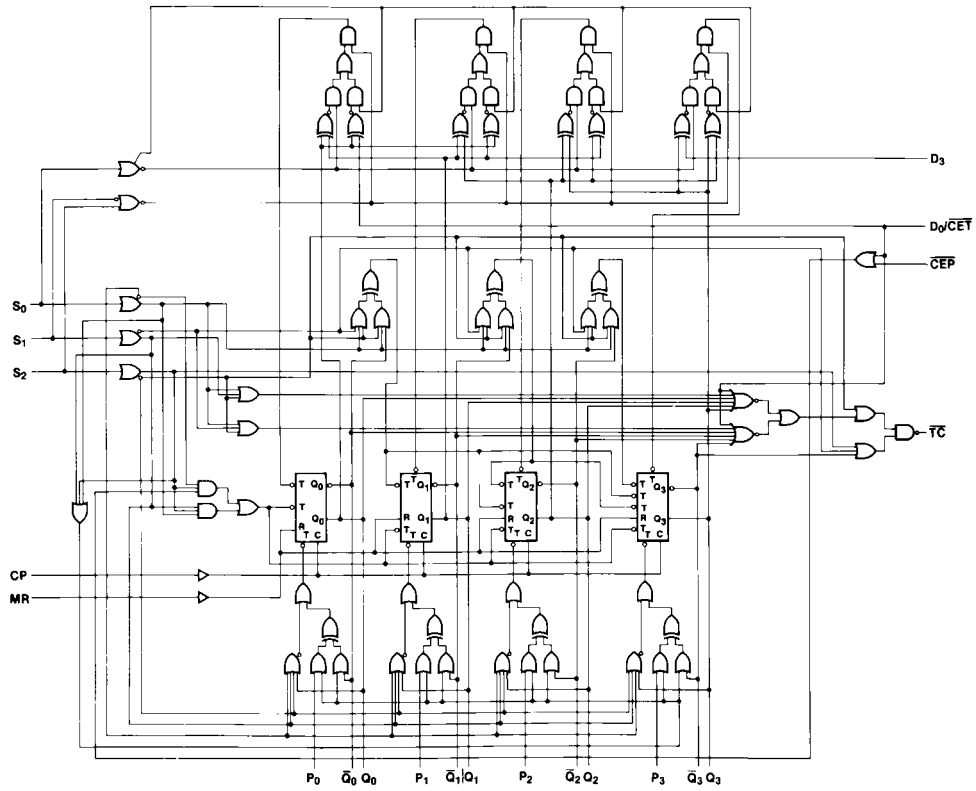
Q₀ = LSB

| Inputs | | | | | | | | Outputs | | | | | | Mode |
|--------|----------------|----------------|----------------|-------------------------|------------------------------------|----------------|----|-----------------------------|-------------------------|-------------------------|-------------------------|-------------------------|--|------|
| MR | S ₂ | S ₁ | S ₀ | $\overline{\text{CEP}}$ | $\overline{\text{D}_0/\text{CET}}$ | D ₃ | CP | Q ₃ | Q ₂ | Q ₁ | Q ₀ | $\overline{\text{TC}}$ | | |
| L | L | L | L | X | X | X | ↘ | P ₃ | P ₂ | P ₁ | P ₀ | L | Preset (Parallel Load) | |
| L | L | L | H | X | X | X | ↘ | $\overline{\text{Q}_3}$ | $\overline{\text{Q}_2}$ | $\overline{\text{Q}_1}$ | $\overline{\text{Q}_0}$ | L | Invert | |
| L | L | H | L | X | X | X | ↘ | D ₃ | Q ₃ | Q ₂ | Q ₁ | D ₃ | Shift to LSB | |
| L | L | H | H | X | X | X | ↘ | Q ₂ | Q ₁ | Q ₀ | D ₀ | Q ₃ (Note 1) | Shift to MSB | |
| L | H | L | L | L | L | X | ↘ | (Q ₀₋₃) minus 1 | | | | 1 | Count Down | |
| L | H | L | L | H | L | X | X | Q ₃ | Q ₂ | Q ₁ | Q ₀ | 1 | Count Down with $\overline{\text{CEP}}$ not active | |
| L | H | L | L | X | H | X | X | Q ₃ | Q ₂ | Q ₁ | Q ₀ | H | Count Down with $\overline{\text{CET}}$ not active | |
| L | H | L | H | X | X | X | ↘ | L | L | L | L | H | Clear | |
| L | H | H | L | L | L | X | ↘ | (Q ₀₋₃) plus 1 | | | | 2 | Count Up | |
| L | H | H | L | H | L | X | X | Q ₃ | Q ₂ | Q ₁ | Q ₀ | 2 | Count Up with $\overline{\text{CEP}}$ not active | |
| L | H | H | L | X | H | X | X | Q ₃ | Q ₂ | Q ₁ | Q ₀ | H | Count Up with $\overline{\text{CET}}$ not active | |
| L | H | H | H | X | X | X | X | Q ₃ | Q ₂ | Q ₁ | Q ₀ | H | Hold | |
| H | L | L | L | X | X | X | X | L | L | L | L | L | Asynchronous Master Reset | |
| H | L | L | H | X | X | X | X | L | L | L | L | L | | |
| H | L | H | L | X | X | X | X | L | L | L | L | L | | |
| H | L | H | H | X | X | X | X | L | L | L | L | L | | |
| H | H | L | L | X | L | X | X | L | L | L | L | L | | |
| H | H | L | L | X | H | X | X | L | L | L | L | H | | |
| H | H | L | H | X | X | X | X | L | L | L | L | H | | |
| H | H | H | L | X | X | X | X | L | L | L | L | H | | |
| H | H | H | H | X | X | X | X | L | L | L | L | H | | |

1 = L if Q₀-Q₃ = LLLL
 H if Q₀-Q₃ ≠ LLLL
 2 = L if Q₀-Q₃ = HHHH
 H if Q₀-Q₃ ≠ HHHH
 H = HIGH Voltage Level
 L = LOW Voltage Level
 X = Don't Care
 ↘ = LOW-to-HIGH Transition
Note 1: Before the clock, $\overline{\text{TC}}$ is Q₃
 After the clock, $\overline{\text{TC}}$ is Q₂

Logic Diagram

100336



Absolute Maximum Ratings (Note 2)

| | |
|--|-------------------|
| Storage Temperature (T_{STG}) | -65°C to +150°C |
| Maximum Junction Temperature (T_J) | +150°C |
| V_{EE} Pin Potential to Ground Pin | -7.0V to +0.5V |
| Input Voltage (DC) | V_{EE} to +0.5V |
| Output Current (DC Output HIGH) | -50 mA |
| ESD (Note 3) | $\geq 2000V$ |

Recommended Operating Conditions

| | | |
|-----------------------------|------------|----------------|
| Case Temperature (T_C) | Commercial | 0°C to +85°C |
| | Industrial | -40°C to +85°C |
| Supply Voltage (V_{EE}) | | -5.7V to -4.2V |

Note 2: Absolute maximum ratings are those values beyond which the device may be damaged or have its useful life impaired. Functional operation under these conditions is not implied.

Note 3: ESD testing conforms to MIL-STD-883, Method 3015.

Commercial Version**DC Electrical Characteristics** (Note 4)

$V_{EE} = -4.2V$ to $-5.7V$, $V_{CC} = V_{CCA} = GND$, $T_C = 0^\circ C$ to $+85^\circ C$

| Symbol | Parameter | Min | Typ | Max | Units | Conditions | |
|-----------|----------------------|-------|-------|-------|-------|--|------------------------------|
| V_{OH} | Output HIGH Voltage | -1025 | -955 | -870 | mV | $V_{IN} = V_{IH} (Max)$ or $V_{IL} (Min)$ | Loading with 50Ω to -2.0V |
| V_{OL} | Output LOW Voltage | -1830 | -1705 | -1620 | mV | | |
| V_{OHC} | Output HIGH Voltage | -1035 | | | mV | $V_{IN} = V_{IH}(Min)$ or $V_{IL} (Max)$ | Loading with 50Ω to -2.0V |
| V_{OLC} | Output LOW Voltage | | | -1610 | mV | | |
| V_{IH} | Input HIGH Voltage | -1165 | | -870 | mV | Guaranteed HIGH Signal for All Inputs | |
| V_{IL} | Input LOW Voltage | -1830 | | -1475 | mV | Guaranteed LOW Signal for All Inputs | |
| I_{IL} | Input LOW Current | 0.50 | | | μA | $V_{IN} = V_{IL} (Min)$ | |
| I_{IH} | Input HIGH Current | | | 240 | μA | $V_{IN} = V_{IH} (Max)$ | |
| I_{EE} | Power Supply Current | -165 | | -80 | | Inputs Open | |

Note 4: The specified limits represent the "worst case" value for the parameter. Since these values normally occur at the temperature extremes, additional noise immunity and guardbanding can be achieved by decreasing the allowable system operating ranges. Conditions for testing shown in the tables are chosen to guarantee operation under "worst case" conditions.

Commercial Version (Continued) DIP AC Characteristics

 $V_{EE} = -4.2V$ to $-5.7V$, $V_{CC} = V_{CCA} = GND$

| Symbol | Parameter | $T_C = 0^\circ C$ | | $T_C = +25^\circ C$ | | $T_C = +85^\circ C$ | | Units | Conditions |
|------------------------|--|--|------|--|------|--|------|-------|-------------------------------|
| | | Min | Max | Min | Max | Min | Max | | |
| f_{SHIFT} | Shift Frequency | 300 | | 300 | | 300 | | MHz | Figures 2, 3 |
| t_{PLH} t_{PHL} | Propagation Delay CP to Q_n, \overline{Q}_n | 1.00 | 2.00 | 1.00 | 2.00 | 1.00 | 2.00 | ns | Figures 1, 3 (Note 5) |
| t_{PLH} t_{PHL} | Propagation Delay CP to \overline{TC} (Shift) | 2.10 | 3.50 | 2.10 | 3.50 | 2.10 | 3.70 | ns | Figures 1, 7, 8 (Note 5) |
| t_{PLH} t_{PHL} | Propagation Delay CP to \overline{TC} (Count) | 2.40 | 4.40 | 2.40 | 4.40 | 2.60 | 4.70 | ns | Figures 1, 9 (Note 5) |
| t_{PLH} t_{PHL} | Propagation Delay MR to Q_n, \overline{Q}_n | 1.40 | 2.50 | 1.40 | 2.50 | 1.50 | 2.60 | ns | Figures 1, 4 (Note 5) |
| t_{PLH} t_{PHL} | Propagation Delay MR to \overline{TC} (Count) | 2.80 | 5.10 | 2.90 | 5.20 | 3.10 | 5.50 | ns | Figures 1, 12 (Note 5) |
| t_{PHL} | Propagation Delay MR to \overline{TC} (Shift) | 2.40 | 4.00 | 2.40 | 4.00 | 2.50 | 4.10 | ns | Figures 1, 10, 11 (Note 5) |
| t_{PLH} t_{PHL} | Propagation Delay D_0/\overline{CET} to \overline{TC} | 1.80 | 3.10 | 1.80 | 3.10 | 1.90 | 3.30 | ns | Figures 1, 5 (Note 5) |
| t_{PLH} t_{PHL} | Propagation Delay S_n to \overline{TC} | 1.90 | 4.10 | 1.90 | 4.10 | 2.10 | 4.40 | ns | (Note 5) |
| t_{TLH} t_{THL} | Transition Time 20% to 80%, 80% to 20% | 0.35 | 1.20 | 0.35 | 1.20 | 0.35 | 1.20 | ns | Figures 1, 3 |
| t_S | Setup Time D_3 P_n D_0/\overline{CET} \overline{CEP} S_n MR (Release Time) | 1.00 1.50 1.30 1.40 3.40 2.60 | | 1.00 1.50 1.30 1.40 3.40 2.60 | | 1.00 1.50 1.30 1.40 3.40 2.60 | | ns | Figures 6, 4 |
| t_H | Hold Time D_3 P_n D_0/\overline{CET} \overline{CEP} S_n | 0.40 0.30 0.30 0.20 0.10 | | 0.40 0.30 0.30 0.20 0.10 | | 0.40 0.30 0.30 0.20 0.10 | | ns | Figure 6 |
| $t_{PW(H)}$ | Pulse Width HIGH CP, MR | 2.00 | | 2.00 | | 2.00 | | ns | Figures 3, 4 |

Note 5: The propagation delay specified is for single output switching. Delays may vary up to 250 ps with multiple outputs switching.

| SOIC and PLCC AC Electrical Characteristics | | | | | | | | | |
|--|--|--|------|--|------|--|------|-------|-------------------------------|
| $V_{EE} = -4.2V$ to $-5.7V$, $V_{CC} = V_{CCA} = GND$ | | | | | | | | | |
| Symbol | Parameter | $T_C = 0^\circ C$ | | $T_C = +25^\circ C$ | | $T_C = +85^\circ C$ | | Units | Conditions |
| | | Min | Max | Min | Max | Min | Max | | |
| f_{SHIFT} | Shift Frequency | 350 | | 350 | | 350 | | MHz | Figures 2, 3 |
| t_{PLH} t_{PHL} | Propagation Delay CP to Q_n , \overline{Q}_n | 1.00 | 1.80 | 1.00 | 1.80 | 1.00 | 1.80 | ns | Figures 1, 2 (Note 6) |
| t_{PLH} t_{PHL} | Propagation Delay CP to \overline{TC} (Shift) | 2.10 | 3.30 | 2.10 | 3.30 | 2.10 | 3.50 | ns | Figures 1, 7, 8 (Note 6) |
| t_{PLH} t_{PHL} | Propagation Delay CP to \overline{TC} (Count) | 2.40 | 4.20 | 2.40 | 4.20 | 2.60 | 4.50 | ns | Figures 1, 9 (Note 6) |
| t_{PLH} t_{PHL} | Propagation Delay MR to Q_n , \overline{Q}_n | 1.40 | 2.30 | 1.40 | 2.30 | 1.50 | 2.40 | ns | Figures 1, 4 (Note 6) |
| t_{PLH} t_{PHL} | Propagation Delay MR to \overline{TC} (Count) | 2.80 | 4.90 | 2.90 | 5.00 | 3.10 | 5.30 | ns | Figures 1, 12 (Note 6) |
| t_{PHL} | Propagation Delay MR to \overline{TC} (Shift) | 2.40 | 3.80 | 2.40 | 3.80 | 2.50 | 3.90 | ns | Figures 1, 10, 11 (Note 6) |
| t_{PLH} t_{PHL} | Propagation Delay D_0/\overline{CET} to \overline{TC} | 1.80 | 2.90 | 1.80 | 2.90 | 1.90 | 3.10 | ns | Figures 1, 5 (Note 6) |
| t_{PLH} t_{PHL} | Propagation Delay S_n to \overline{TC} | 1.90 | 3.90 | 1.90 | 3.90 | 2.10 | 4.20 | ns | (Note 6) |
| t_{TLH} t_{THL} | Transition Time 20% to 80%, 80% to 20% | 0.35 | 1.10 | 0.35 | 1.10 | 0.35 | 1.10 | ns | Figures 1, 3 |
| t_S | Setup Time D_3 P_n D_0/\overline{CET} \overline{CEP} S_n MR (Release Time) | 0.90 1.40 1.20 1.30 3.30 2.50 | | 0.90 1.40 1.20 1.30 3.30 2.50 | | 0.90 1.40 1.20 1.30 3.30 2.50 | | ns | Figures 4, 6 |
| t_H | Hold Time D_3 P_n D_0/\overline{CET} \overline{CEP} S_n | 0.30 0.20 0.20 0.10 0.00 | | 0.30 0.20 0.20 0.10 0.00 | | 0.30 0.20 0.20 0.10 0.00 | | ns | Figure 6 |
| $t_{PW(H)}$ | Pulse Width HIGH CP, MR | 2.00 | | 2.00 | | 2.00 | | ns | Figures 3, 4 |
| t_{OSHL} | Maximum Skew Common Edge Output-to-Output Variation Clock to Output Path | | 200 | | 200 | | 200 | ps | PLCC Only (Note 7) |
| t_{OSLH} | Maximum Skew Common Edge Output-to-Output Variation Clock to Output Path | | 200 | | 200 | | 200 | ps | PLCC Only (Note 7) |
| t_{OST} | Maximum Skew Opposite Edge Output-to-Output Variation Clock to Output Path | | 230 | | 230 | | 230 | ps | PLCC Only (Note 7) |
| t_{PS} | Maximum Skew Pin (Signal) Transition Variation Clock to Output Path | | 245 | | 245 | | 245 | ps | PLCC Only (Note 7) |

Note 6: The propagation delay specified is for single output switching. Delays may vary up to 250 ps with multiple outputs switching.

Note 7: Output-to-Output Skew is defined as the absolute value of the difference between the actual propagation delay for any outputs within the same packaged device. The specifications apply to any outputs switching in the same direction either HIGH-to-LOW (t_{OSHL}), or LOW-to-HIGH (t_{OSLH}), or in opposite directions both HL and LH (t_{OST}). Parameters t_{OST} and t_{PS} guaranteed by design

Industrial Version

PLCC DC Electrical Characteristics (Note 8)

$V_{EE} = -4.2V$ to $-5.7V$, $V_{CC} = V_{CCA} = GND$, $T_C = -40^\circ C$ to $+85^\circ C$

| Symbol | Parameter | $T_C = -40^\circ C$ | | $T_C = 0^\circ C$ to $+85^\circ C$ | | Units | Conditions | |
|-----------|----------------------|---------------------|-------|------------------------------------|-------|---------|---------------------------------------|---------------------------------------|
| | | Min | Max | Min | Max | | | |
| V_{OH} | Output HIGH Voltage | -1085 | -870 | -1025 | -870 | mV | $V_{IN} = V_{IH} (Max)$ | Loading with 50Ω to $-2.0V$ |
| V_{OL} | Output LOW Voltage | -1830 | -1575 | -1830 | -1620 | mV | or $V_{IL} (Min)$ | |
| V_{OHC} | Output HIGH Voltage | -1095 | | -1035 | | mV | $V_{IN} = V_{IH} (Min)$ | Loading with 50Ω to $-2.0V$ |
| V_{OLC} | Output LOW Voltage | | -1565 | | -1610 | mV | or $V_{IL} (Max)$ | |
| V_{IH} | Input HIGH Voltage | -1170 | -870 | -1165 | -870 | mV | Guaranteed HIGH Signal for All Inputs | |
| V_{IL} | Input LOW Voltage | -1830 | -1480 | -1830 | -1475 | mV | Guaranteed LOW Signal for All Inputs | |
| I_{IL} | Input LOW Current | 0.50 | | 0.50 | | μA | $V_{IN} = V_{IL} (Min)$ | |
| I_{IH} | Input HIGH Current | | 240 | | 240 | μA | $V_{IN} = V_{IH} (Max)$ | |
| I_{EE} | Power Supply Current | -165 | -75 | -165 | -80 | mA | Inputs Open | |

Note 8: The specified limits represent the "worst case" value for the parameter. Since these values normally occur at the temperature extremes, additional noise immunity and guardbanding can be achieved by decreasing the allowable system operating ranges. Conditions for testing shown in the tables are chosen to guarantee operation under "worst case" conditions.

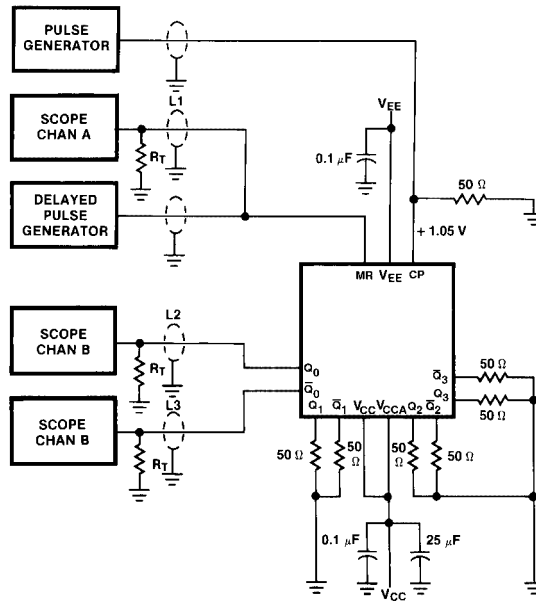
PLCC AC Electrical Characteristics

$V_{EE} = -4.2V$ to $-5.7V$, $V_{CC} = V_{CCA} = GND$

| Symbol | Parameter | $T_C = -40^\circ C$ | | $T_C = +25^\circ C$ | | $T_C = +85^\circ C$ | | Units | Conditions |
|-------------|--------------------------------|---------------------|------|---------------------|------|---------------------|------|-------|-------------------------------|
| | | Min | Max | Min | Max | Min | Max | | |
| f_{SHIFT} | Shift Frequency | 325 | | 350 | | 350 | | MHz | Figures 2, 3 |
| t_{PLH} | Propagation Delay | 1.00 | 1.80 | 1.00 | 1.80 | 1.00 | 1.80 | ns | Figures 1, 3 (Note 9) |
| t_{PHL} | CP to Q_n , \overline{Q}_n | | | | | | | | |
| t_{PLH} | Propagation Delay | 2.00 | 3.30 | 2.10 | 3.30 | 2.10 | 3.50 | ns | Figures 1, 7, 8 (Note 9) |
| t_{PHL} | CP to \overline{TC} (Shift) | | | | | | | | |
| t_{PLH} | Propagation Delay | 2.40 | 4.20 | 2.40 | 4.20 | 2.60 | 4.50 | ns | Figures 1, 9 (Note 9) |
| t_{PHL} | CP to \overline{TC} (Count) | | | | | | | | |
| t_{PLH} | Propagation Delay | 1.40 | 2.30 | 1.40 | 2.30 | 1.50 | 2.40 | ns | Figures 1, 4 (Note 9) |
| t_{PHL} | MR to Q_n , \overline{Q}_n | | | | | | | | |
| t_{PLH} | Propagation Delay | 2.80 | 4.90 | 2.90 | 5.00 | 3.10 | 5.30 | ns | Figures 1, 12 (Note 9) |
| t_{PHL} | MR to \overline{TC} (Count) | | | | | | | | |
| t_{PHL} | Propagation Delay | 2.40 | 3.80 | 2.40 | 3.80 | 2.50 | 3.90 | ns | Figures 1, 10, 11 (Note 9) |
| t_{PHL} | MR to \overline{TC} (Shift) | | | | | | | | |
| t_{PLH} | Propagation Delay | 1.70 | 2.90 | 1.80 | 2.90 | 1.90 | 3.10 | ns | Figures 1, 5 (Note 9) |
| t_{PHL} | D_0/CET to \overline{TC} | | | | | | | | |
| t_{PLH} | Propagation Delay | 1.80 | 3.90 | 1.90 | 3.90 | 2.10 | 4.20 | ns | Figures 1, 5 (Note 9) |
| t_{PHL} | S_n to \overline{TC} | | | | | | | | |
| t_{TLH} | Transition Time | 0.20 | 1.90 | 0.35 | 1.10 | 0.35 | 1.10 | ns | Figures 1, 3 |
| t_{THL} | 20% to 80%, 80% to 20% | | | | | | | | |
| t_s | Setup Time | | | | | | | ns | Figure 6 |
| | D_3 | 1.40 | | 0.90 | | 0.90 | | | |
| | P_n | 1.70 | | 1.40 | | 1.40 | | | |
| | D_0/CET | 1.80 | | 1.20 | | 1.20 | | | |
| | \overline{CEP} | 1.80 | | 1.30 | | 1.30 | | | |
| | S_n | 3.30 | | 3.30 | | 3.30 | | | |
| | MR (Release Time) | 2.60 | | 2.50 | | 2.50 | | | |
| t_H | Hold Time | | | | | | | ns | Figure 6 |
| | D_3 | 0.90 | | 0.30 | | 0.30 | | | |
| | P_n | 1.00 | | 0.20 | | 0.20 | | | |
| | D_0/CET | 0.70 | | 0.20 | | 0.20 | | | |
| | \overline{CEP} | 0.60 | | 0.10 | | 0.10 | | | |
| | S_n | 0.00 | | 0.00 | | 0.00 | | | |
| $t_{PW(H)}$ | Pulse Width HIGH CP, MR | 2.20 | | 2.00 | | 2.00 | | ns | Figures 3, 4 |

Note 9: The propagation delay specified is for single output switching. Delays may vary up to 250 ps with multiple outputs switching.

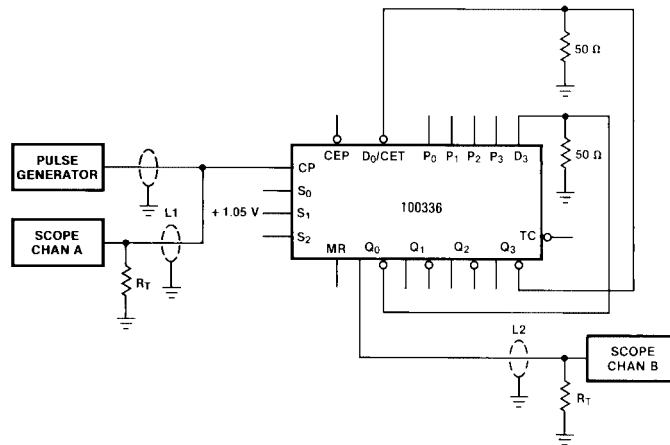
Test Circuitry



Notes:

- V_{CC}, V_{CCA} = +2V, V_{EE} = -2.5V
- L1, L2 and L3 = equal length 50Ω impedance lines
- R_T = 50Ω terminator internal to scope
- Decoupling 0.1 μF from GND to V_{CC} and V_{EE}
- All unused outputs are loaded with 50Ω to GND
- C_L = Fixture and stray capacitance ≤ 3 pF

FIGURE 1. AC Test Circuit



Notes:

- For shift right mode, +1.05V is applied at S₀.
- The feedback path from output to input should be as short as possible.

FIGURE 2. Shift Frequency Test Circuit (Shift Left)

Switching Waveforms

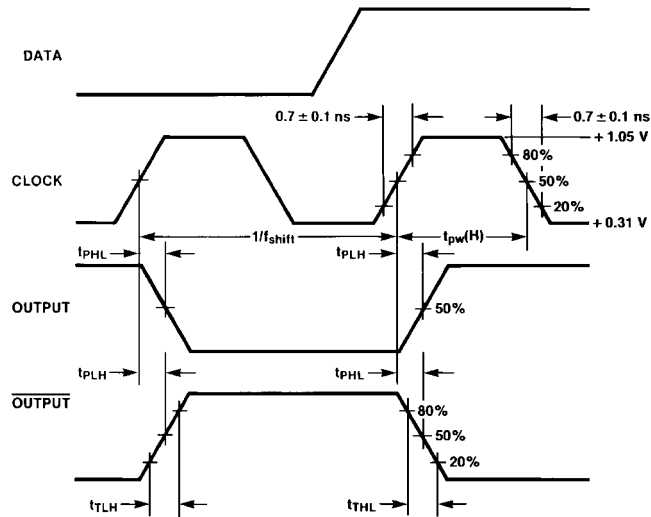


FIGURE 3. Propagation Delay (Clock) and Transition Times

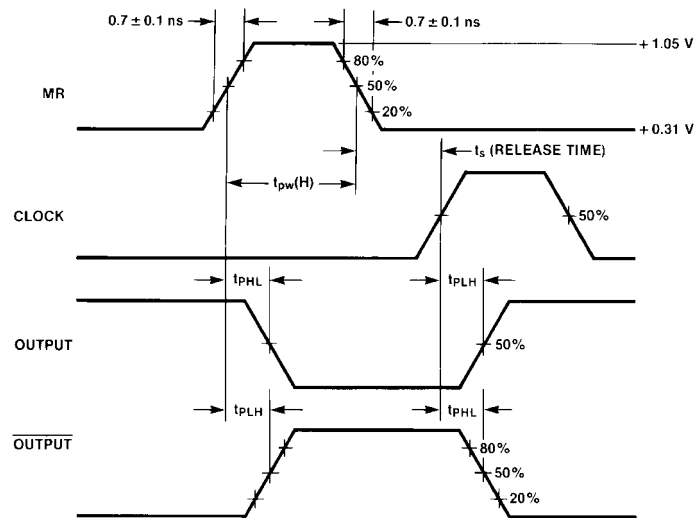


FIGURE 4. Propagation Delay (Reset)

Switching Waveforms (Continued)

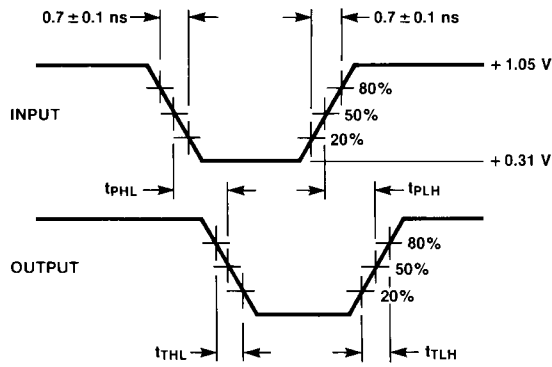
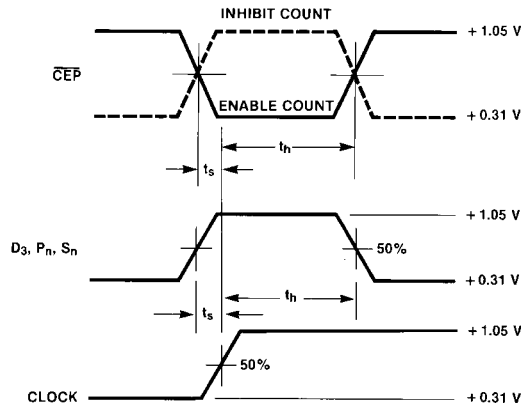


FIGURE 5. Propagation Delay (Serial Data, Selects)

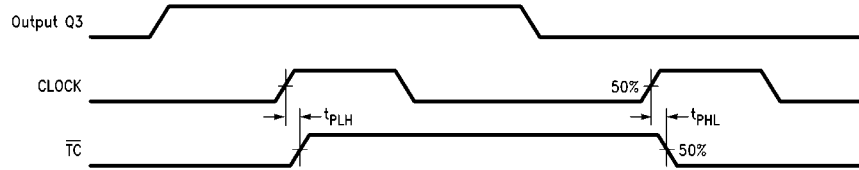


Notes:

t_s is the minimum time before the transition of the clock that information must be present at the data input.

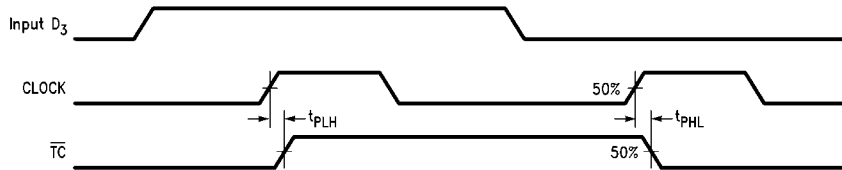
t_h is the minimum time after the transition of the clock that information must remain unchanged at the data input.

FIGURE 6. Setup and Hold Time



Note: Shift Right Mode; $S_0 = H, S_1 = H, S_2 = L$.

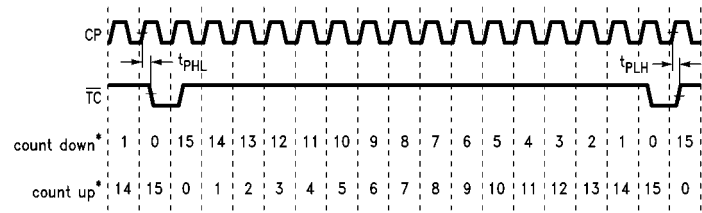
FIGURE 7. Propagation Delay, Clock to Terminal Count (Shift Right Mode)



Note: Shift Left Mode; $S_0 = L, S_1 = H, S_2 = L$.

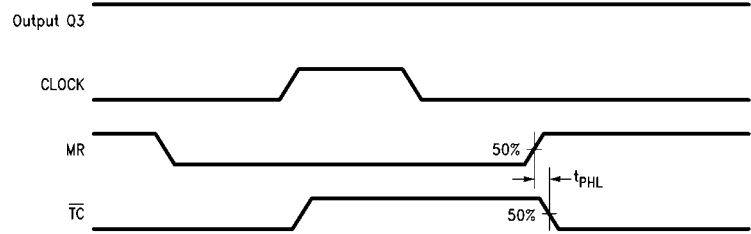
FIGURE 8. Propagation Delay, Clock to Terminal Count (Shift Left Mode)

Switching Waveforms (Continued)



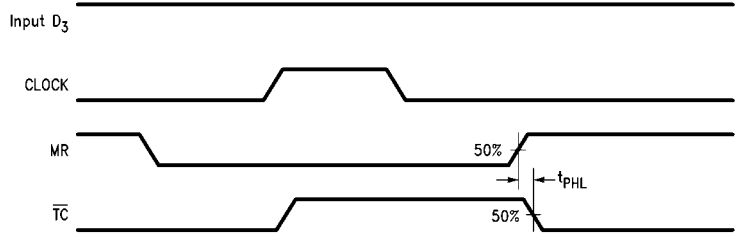
Note:
 *Decimal representation of binary outputs.
 Count Up: $S_0 = L, S_1 = H, S_2 = H$; Count Down: $S_0 = L, S_1 = L, S_2 = H$.
 Measurement taken at 50% point of waveform.

FIGURE 9. Propagation Delay, Clock to Terminal Count (Count Up and Count Down Modes)



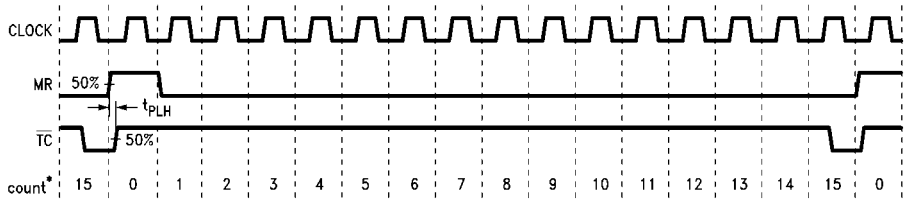
Note: Shift Right Mode; $S_0 = H, S_1 = H, S_2 = L$.

FIGURE 10. Propagation Delay, Master Reset to Terminal Count (Shift Right Mode)

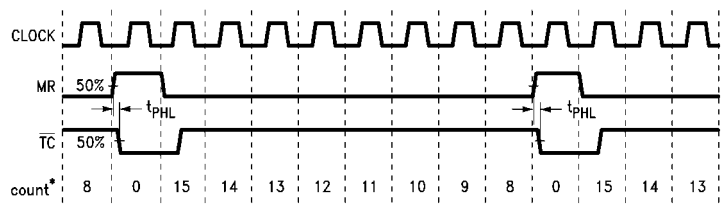


Note: Shift Left Mode; $S_0 = L, S_1 = H, S_2 = L$.

FIGURE 11. Propagation Delay, Master Reset to Terminal Count (Shift Left Mode)



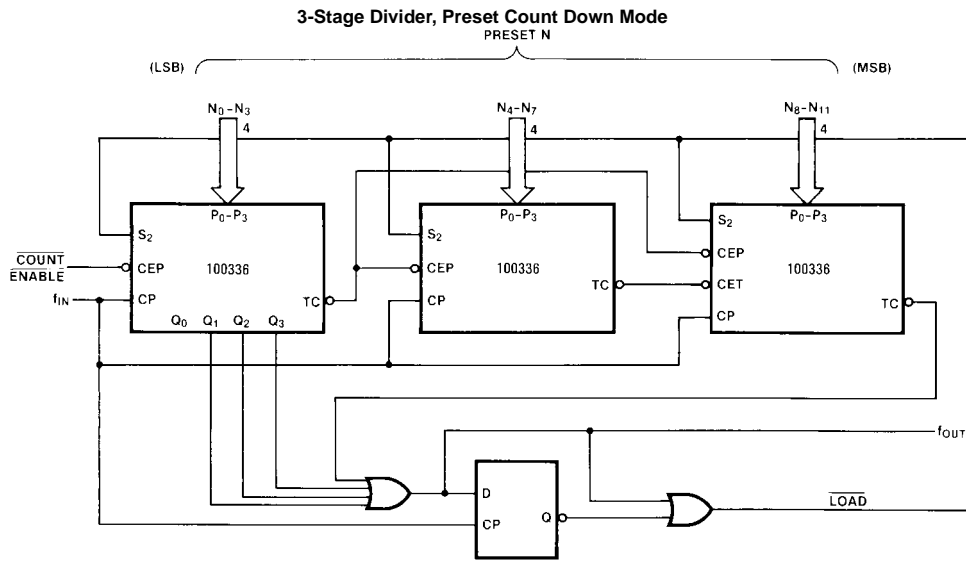
Note:
 *Decimal representation of binary outputs. Count Up Mode: $S_0 = L, S_1 = H, S_2 = H$.



Note:
 *Decimal representation of binary outputs. Count Down Mode: $S_0 = L, S_1 = L, S_2 = H$.

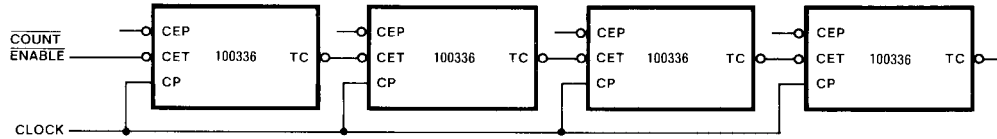
FIGURE 12. Propagation Delay, Master Reset to Terminal Count (Count Up and Count Down Modes)

Applications

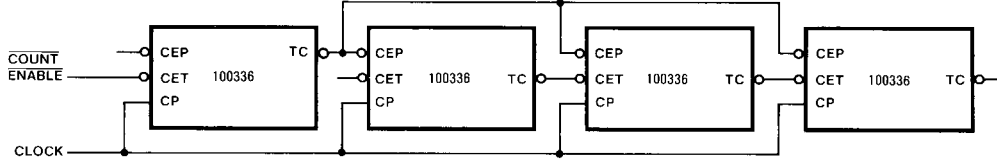


Note: If $S_0 = S_1 = S_2 = \text{LOW}$, then $T_C = \text{LOW}$

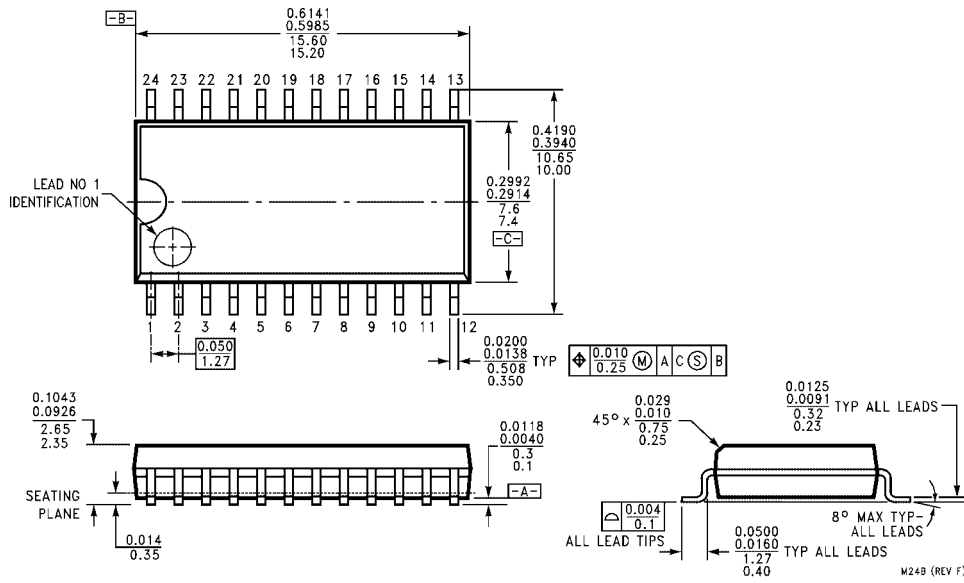
Slow Expansion Scheme



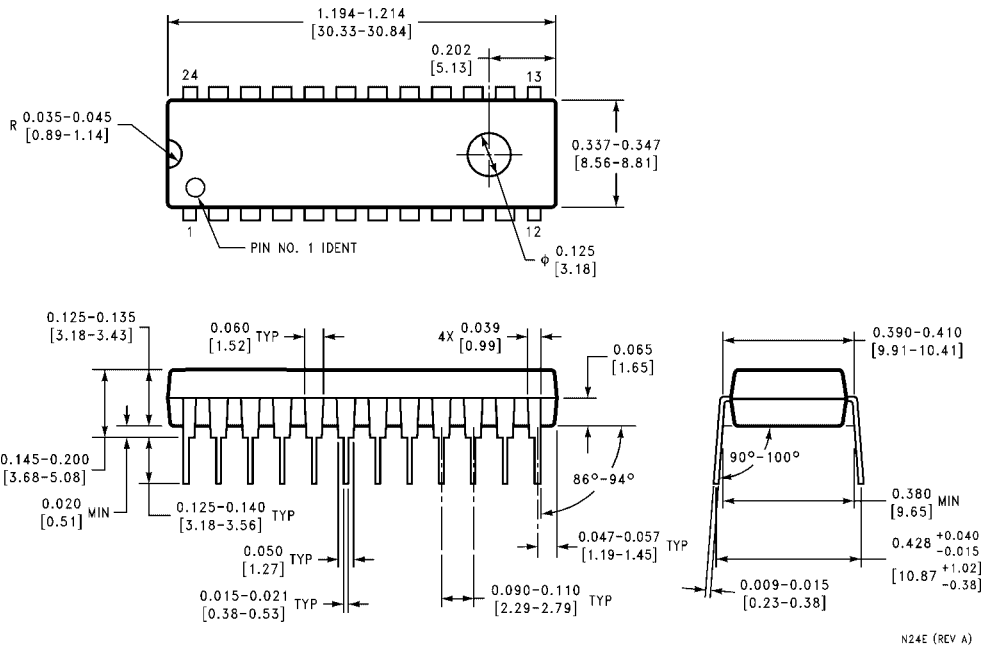
Fast Expansion Scheme



Physical Dimensions inches (millimeters) unless otherwise noted

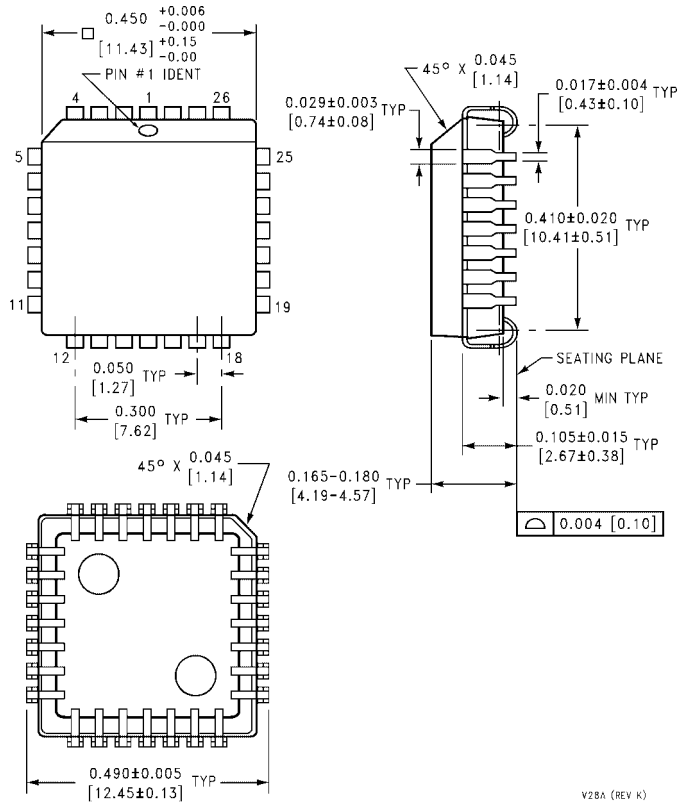


**24-Lead Small Outline Integrated Circuit (SOIC), JEDEC MS-013, 0.300 Wide
Package Number M24B**



**24-Lead Plastic Dual-In-Line Package (PDIP), JEDEC MS-010, 0.400 Wide
Package Number N24E**

Physical Dimensions inches (millimeters) unless otherwise noted (Continued)



28-Lead Plastic Lead Chip Carrier (PLCC), JEDEC MO-047, 0.450 Square Package Number V28A

Fairchild does not assume any responsibility for use of any circuitry described, no circuit patent licenses are implied and Fairchild reserves the right at any time without notice to change said circuitry and specifications.

LIFE SUPPORT POLICY

FAIRCHILD'S PRODUCTS ARE NOT AUTHORIZED FOR USE AS CRITICAL COMPONENTS IN LIFE SUPPORT DEVICES OR SYSTEMS WITHOUT THE EXPRESS WRITTEN APPROVAL OF THE PRESIDENT OF FAIRCHILD SEMICONDUCTOR CORPORATION. As used herein:

1. Life support devices or systems are devices or systems which, (a) are intended for surgical implant into the body, or (b) support or sustain life, and (c) whose failure to perform when properly used in accordance with instructions for use provided in the labeling, can be reasonably expected to result in a significant injury to the user.
2. A critical component in any component of a life support device or system whose failure to perform can be reasonably expected to cause the failure of the life support device or system, or to affect its safety or effectiveness.

www.fairchildsemi.com

This datasheet has been download from:

www.datasheetcatalog.com

Datasheets for electronics components.