

### CDI CONTROL SYSTEM IC

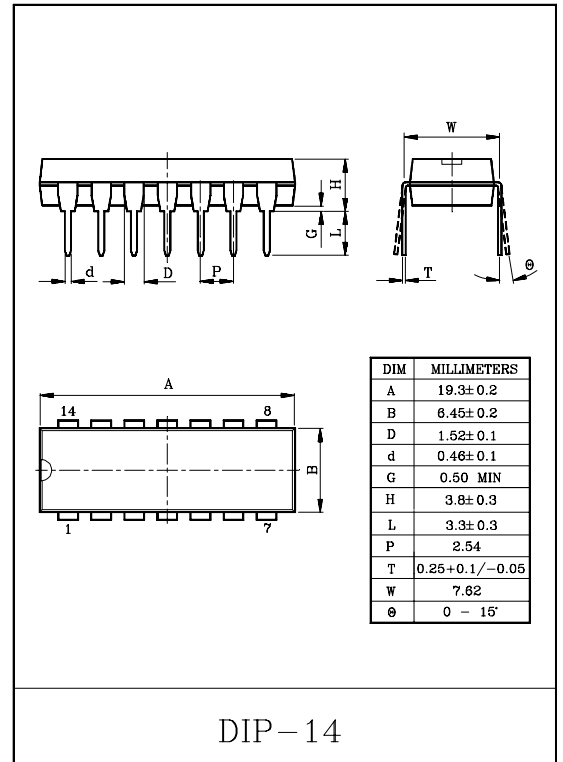
The KIA6988P is designed for motor cycle condenser discharge ignition system application

### FEATURES

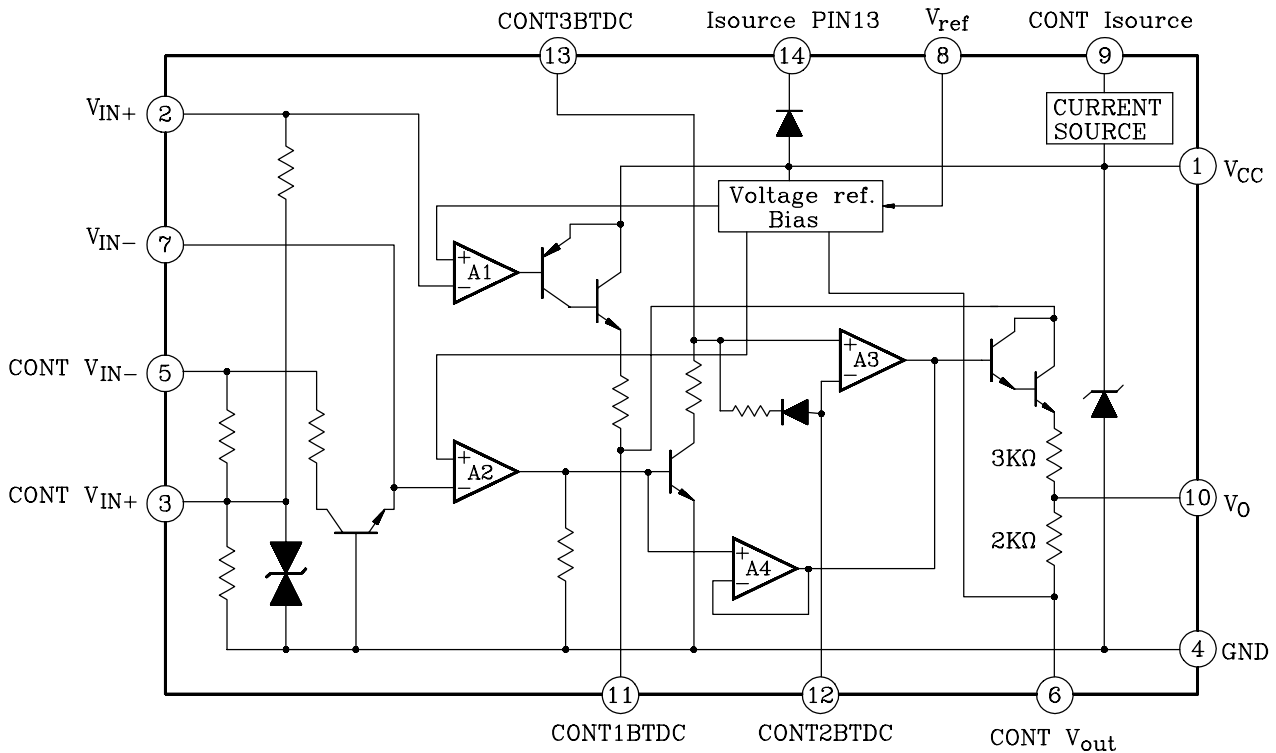
- 14-Pin Dual in line Package.

### MAXIMUM RATINGS (Ta=25°C).

CHARACTERISTIC	SYMBOL	RATING	UNIT
Supply Current	$I_{CC}$	30	mA
Power Dissipation	$P_D$	480	mW
Operating Temperature	$T_{opr}$	-20~85	°C
Storage Temperature	$T_{stg}$	-55~125	°C

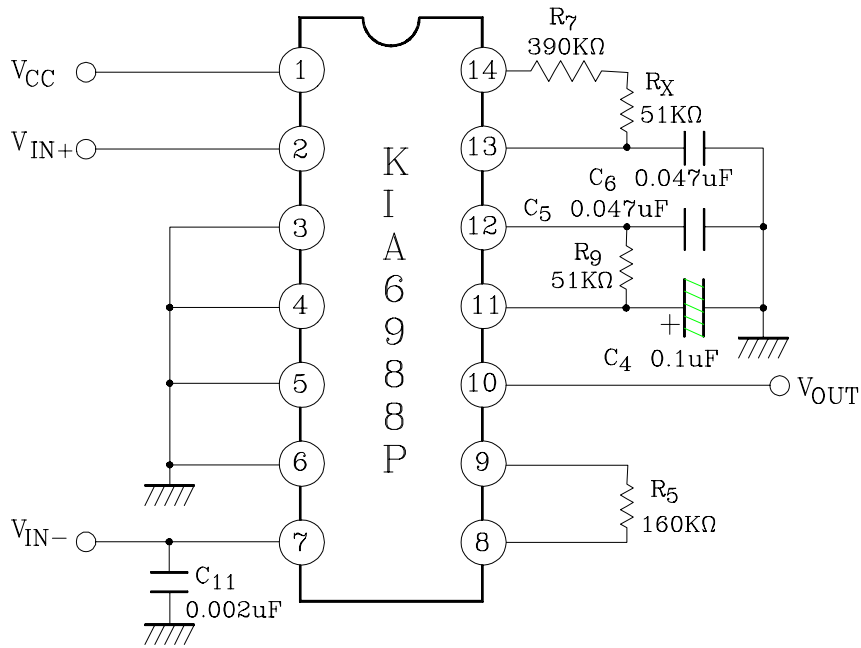


### BLOCK DIAGRAM



# KIA6988P

## TEST CIRCUIT



## ELECTRICAL CHARACTERISTICS (Ta=25°C, VCC=8.8V)

CHARACTERISTIC	SYMBOL	TEST CONDITION	MIN.	TYP.	MAX.	UNIT
Regulated Voltage	V <sub>Z</sub>	I <sub>CCZ</sub> =2mA	7.8	8.6	9.4	V
② pin V <sub>IN</sub> ON	V <sub>INH+</sub>	V <sub>IN7</sub> =-0.2V	0.7	-	-	V
② pin V <sub>IN</sub> OFF	V <sub>INL+</sub>	V <sub>IN7</sub> =-0.2V	-	-	0.4	V
⑦ pin V <sub>IN</sub> ON	V <sub>INH-</sub>	V <sub>IN2</sub> =0.85V	-1.0	-	-0.2	V
⑦ pin V <sub>IN</sub> OFF	V <sub>INL-</sub>	V <sub>IN2</sub> =0.85V	0.7	-	-	V
⑧ pin V <sub>OUT</sub> HIGH	V <sub>OH8</sub>	V <sub>IN2</sub> =0.85V, V <sub>IN7</sub> =-0.2V	1.0	1.3	1.6	V
⑧ pin V <sub>OUT</sub> LOW	V <sub>OL8</sub>	V <sub>IN2</sub> =0V, V <sub>IN7</sub> =-0.2V	0.6	0.9	1.2	V
⑩ pin OUTPUT CURRENT	I <sub>OH10</sub>	V <sub>IN2</sub> =0.85V, V <sub>IN7</sub> =-0.2V	1.9	2.5	-	mA
⑩ pin V <sub>OUT</sub> HIGH	V <sub>OH10</sub>	V <sub>IN2</sub> =0.85V, V <sub>IN7</sub> =-0.2V, I <sub>L</sub> =0mA	2.4	3.0	4.5	V
⑩ pin V <sub>OUT</sub> LOW	V <sub>OL10</sub>	V <sub>IN2</sub> =0V, V <sub>IN7</sub> =-0.2V, I <sub>L</sub> =0mA	-	-	0.4	V
⑪ pin V <sub>OUT</sub> HIGH	V <sub>OH11</sub>	V <sub>IN2</sub> =0.85V, V <sub>IN7</sub> =-0.2V	-	7.8	-	V
⑫ pin V <sub>OUT</sub> HIGH	V <sub>OH12</sub>	V <sub>IN2</sub> =0.85V, V <sub>IN7</sub> =-0.2V	-	3.9	-	V
⑬ pin V <sub>OUT</sub> HIGH	V <sub>OH13</sub>	V <sub>IN2</sub> =0V, V <sub>IN7</sub> =0.8V	-	6.7	-	V
⑬ pin V <sub>OUT</sub> LOW	V <sub>OL13</sub>	V <sub>IN2</sub> =0.85V, V <sub>IN7</sub> =-0.2V	-	0.2	-	V

# KIA6988P

## APPLICATION CIRCUIT

