

# **DATA IMAGE CORPORATION**

## **LCD Module Specification**

PRELIMINARY

ITEM NO.: **TG161600FFEBB-R1**

### **Table of Contents**

1. COVER & CONTENTS .....	1
2. RECORD OF REVISION .....	2
3. GENERAL SPECIFICATIONS .....	3
4. ABSOLUTE MAXIMUM RATINGS .....	4
5. ELECTRICAL CHARACTERISTICS .....	5
6. ELECTRO-OPTICAL CHARACTERISTIC .....	5
7. TIMING CHARACTERISTICS .....	7
8. PIN CONNECTIONS .....	10
9. POWER SUPPLY .....	10
10. BLOCK DIAGRAM .....	11
11. QUALITY ASSURANCE .....	13
12. LOT NUMBERING SYSTEM .....	17
13. LCM NUMBERING SYSTEM .....	17
14. PRECAUTIONS IN USE LCM .....	18
15. OUTLINE DRAWING .....	19
16. PACKAGE INFORMATION .....	20

R&D Dept.	Q.C. Dept.	Eng. Dept.	Prod. Dept.
Version:	Issued Date:	Sheet Code:	Total Pages:
	2002/12/18		20

## 2. RECORD OF REVISION

Rev	Date	Item	Page	Comment

### 3. GENERAL SPECIFICATION

Display Format : 160 (W) × 160 (H) dots  
Dots Size : 0.335 (W) × 0.335 (H) mm  
View Area : 63.4 (W) × 63.3 (H) mm  
General Dimensions : 69.0 (W) × 69.5 (H) × 5.5 (T) mm Max.  
Weight : 30 g max.

LCD Type :  STN Blue  STN Yellow  FSTN

Polarizer mode :  Reflective  Transflective

Transmissive  Negative

View Angle :  6 O'clock  12 O'clock  Others \_\_\_\_\_

Backlight :  LED  EL  CCFL

Backlight Color :  Yellow green  Amber  Green

White  Others

Controller / Driver : NT7701 COM & SEG

Temperature Range :  Normal  Wide Temperature  
Operating 0 to 50°C Operating -20 to 70°C  
Storage -20 to 70°C Storage -30 to 80°C

Remark: DC to DC, EL Driver

## 4. ABSOLUTE MAXIMUM RATINGS

### 4.1 ELECTRICAL ABSOLUTE MAXIMUM RATINGS

$V_{SS} = 0V$ ,  $T_a = 25^{\circ}C$

Item	Symbol	Min.	Max.	Unit
Supply Voltage (Logic)	$V_{DD}-V_{SS}$	-0.3	6.5	V
Supply Voltage (LCD Driver)	$V_{EE}-V_{SS}$	0	45	V
Input Voltage	$V_I$	$V_{SS}$	$V_{DD}$	V
Operating Temperature	$T_{OP}$	-20	70	$^{\circ}C$
Storage Temperature	$T_{STG}$	-30	80	$^{\circ}C$

### 4.2 ENVIRONMENTAL ABSOLUTE MAXIMUM RATINGS

Item	Operating		Storage		Comment
	(Min.)	(Max.)	(Min.)	(Max.)	
Ambient Temp	-30	70	-30	80	Note (1)
Humidity	Note (2)		Note(2)		Without Condensation
Vibration	--	4.9M/S <sup>2</sup>	--	19.6M/S <sup>2</sup>	XYZ Direction
Shock	--	29.4M/S <sup>2</sup>	--	490M/S <sup>2</sup>	XYZ Direction

Note(1)  $T_a = 0^{\circ}C$  : 50Hr Max.

Note(2)  $T_a \leq 40^{\circ}C$  : 90% RH Max.

$T_a \geq 40^{\circ}C$  : Absolute humidity must be lower than the humidity of 90% RH at  $40^{\circ}C$ .

## 5. ELECTRICAL CHARACTERISTICS

Item	Symbol	Condition	Min.	Typ.	Max.	Unit
Supply Voltage (Logic)	V <sub>DD</sub> -V <sub>SS</sub>		2.5	3.3	5.5	V
Supply Voltage (LCD)	V <sub>EE</sub> -V <sub>SS</sub>	-20°C	19.3	20	21	V
		25°C	18.6	19	20	
		70°C	17.6	18	18.6	
Input Voltage	V <sub>IH</sub>	--	0.8*V <sub>DD</sub>	--	V <sub>DD</sub>	V
	V <sub>IL</sub>		V <sub>SS</sub>	--	0.2*V <sub>DD</sub>	
Logic Supply Current	I <sub>DD</sub>	EL=OFF	--	30	--	mA

## 6. ELECTRO-OPTICAL CHARACTERISTICS

ITEM	Symbol	Condition	Min.	Typ.	Max.	Unit	Ref.
Rise Time	Tr	0°C	450	560	800	ms	Note (1)
		25°C	266	280	302		
Fall Time	Tf	0°C	400	500	750	ms	
		25°C	87	94	98		
Contrast	K	25°C	7.1	7.25	7.38		Note (3)
View Angle	θ <sub>1</sub> ~θ <sub>2</sub> ∅ <sub>1</sub> , ∅ <sub>2</sub>	25°C & CR≥3	--	30	--		Note (2)
			--	30	--		
Frame Frequency	Ff	25°C	--	64	--	Hz	

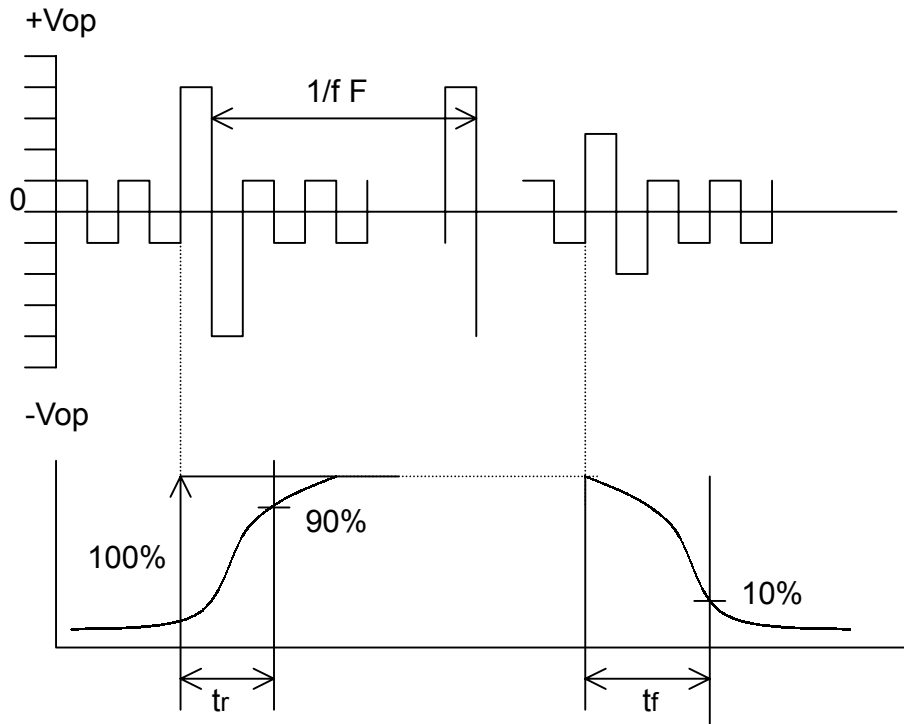
Note (1) & (2) : See next page

Note (3) : Contrast ratio is defined under the following condition:

$$CR = \frac{\text{Brightness of non-selected condition}}{\text{Brightness of selected condition}}$$

- ( a ). Temperature ----- 25°C
- ( b ). Frame frequency ---- 64Hz
- ( c ). Viewing angle ----- θ= 0°, ∅ = 0°
- ( d ). Operating voltage --- 19V

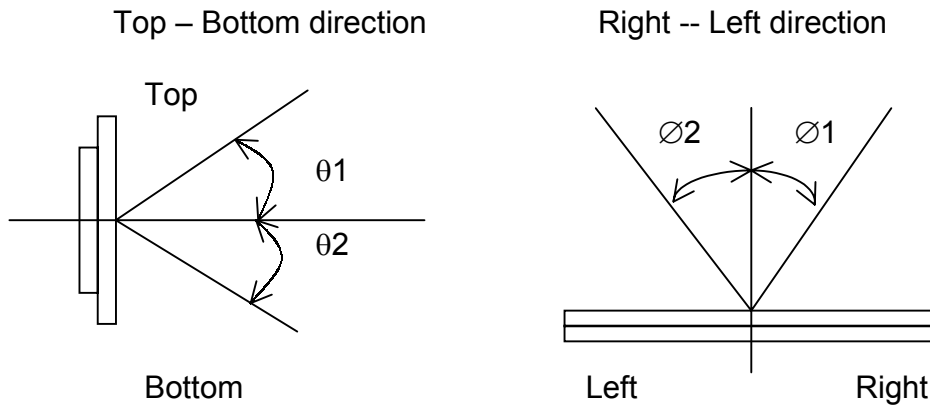
Note (1) Response time is measured as the shortest period of time possible between the change in state of an LCD segment as demonstrated below:



Condition:

- ( a ) . Temperature -----25°C
- ( b ) . Frame frequency ----- 64Hz
- ( c ) . View Angle -----  $\theta = 0^\circ, \phi = 0^\circ$
- ( d ) . Operating voltage ----- 19V

Note (2) Definition of View Angle



## 6.2 ELECTRIC - OPTICAL CHARACTERISTIC

( TEMP : 20°C )

ITEM	CONDITION	DIMENION		STANDARD		
				MIN	TYP	MAX
BRIGHTNESS	400Hz,100Vrms SINE WAVE	cd/m <sup>2</sup>		45	56	--
UNIFORMITY	400Hz,100Vrms SINE WAVE	%		85	90	--
CURRENT CONSUMPTION	400Hz,100Vrms SINE WAVE	mA/cm <sup>2</sup>		--	0.12	0.17
CHROMATICITY	400Hz,100Vrms SINE WAVE	GREEN	X	0.15	0.17	0.19
			Y	0.33	0.35	0.37
		White	X	0.30	0.32	0.34
			Y	0.34	0.36	0.38

Note: Measured at the EL panel unit.

## 7. TIMING CHARACTERISTICS

common & Segment interface timing:

Item	Symbol	Test Condition	Min.	Typ.	Max.	Units
Clock Cycle	tC	Fig.1	500			ns
SCP Pulse Width	tSWH, tSWL	Fig.1	240			ns
Data Set Up Time	tDSU	Fig.1& 2	240			ns
Data Hold Time	tDHD	Fig.1& 2	240			ns
SCP Rise/Fall Time	tr,tf	Fig.1& 2			50	ns
LP Rise Time	tLRP	Fig.1	240			ns
LP Fall Time	tlw	Fig.1	240			ns
LP Pulse Width	tlw	Fig.1	240			ns
SCP To LP Delay Time	tSL	Fig.1	50			ns
LP To SCP Delay Time	tLS	Fig.1	100			ns
LP "H" Pulse Width	tCWH	Fig.2	40			ns
LP "L" Pulse Width	tCWL	Fig.2	170			ns

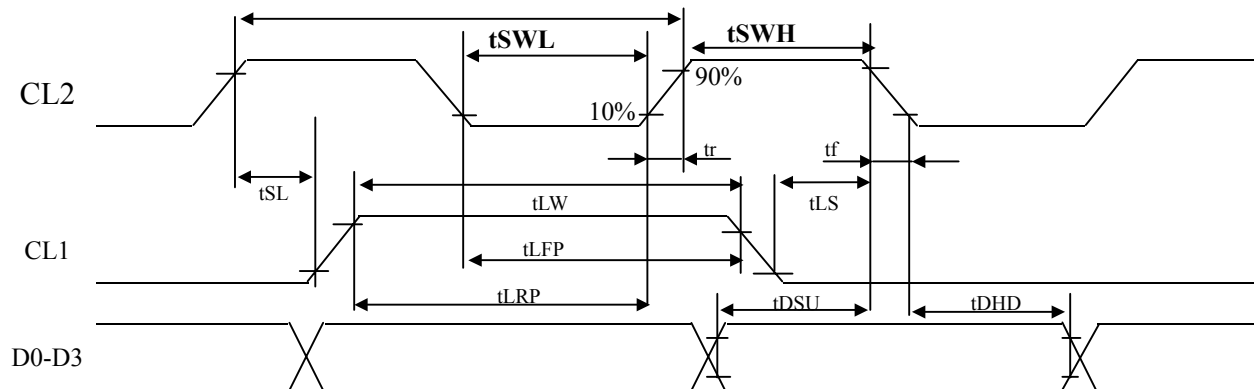


Fig1. SEGMENT TIMING

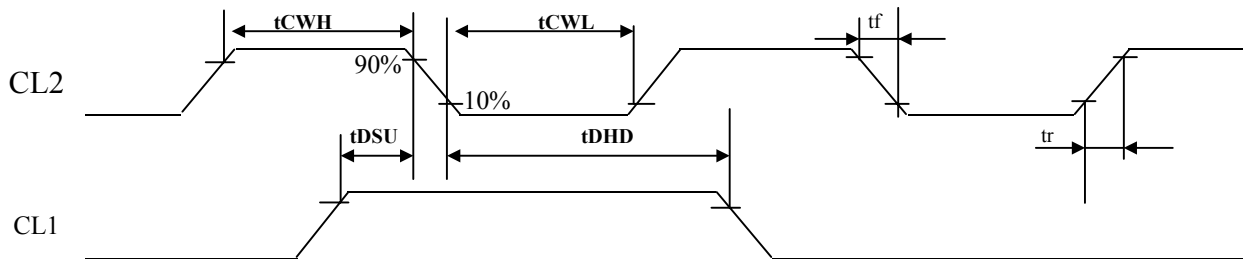
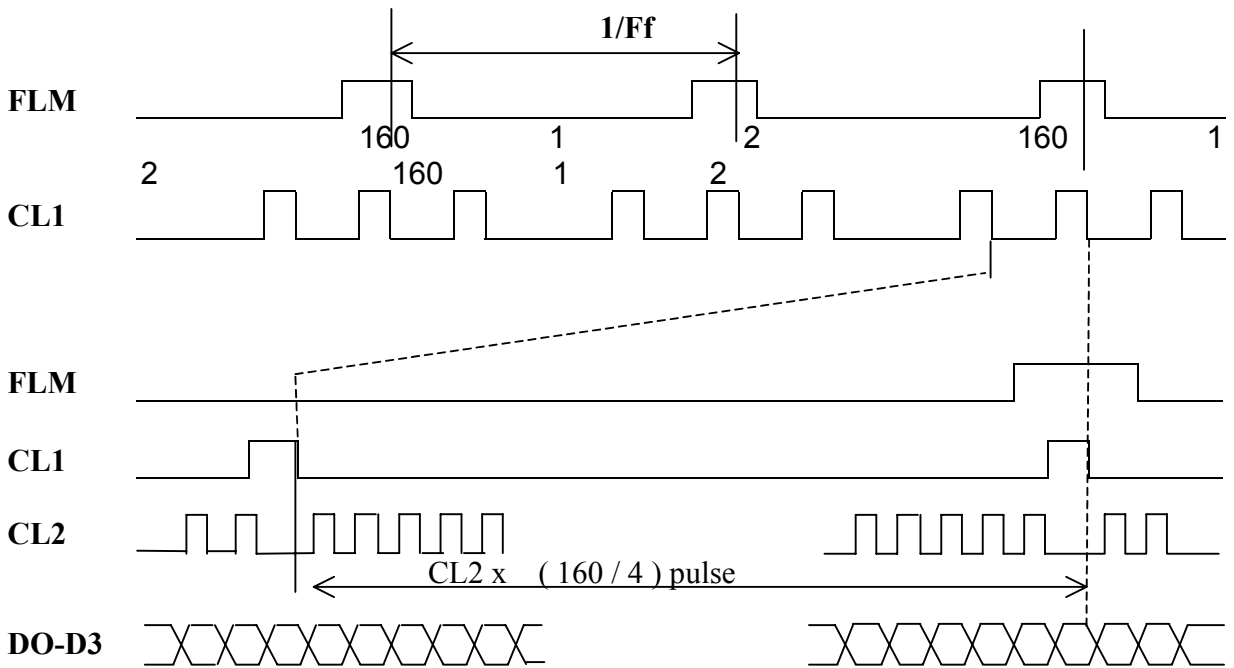


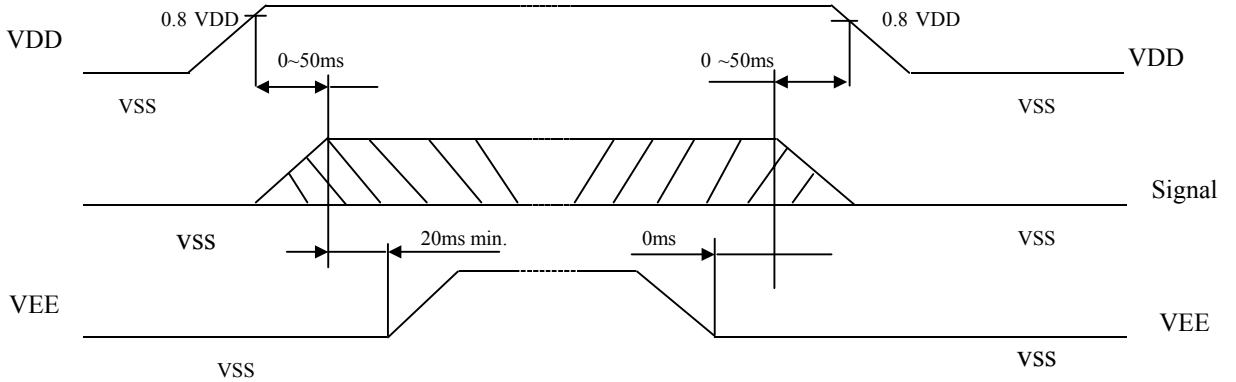
Fig2. COMMON TIMING



## 7.1 TIMING CHART



## 7.2 POWER ON/OFF TIMING



### POWER ON

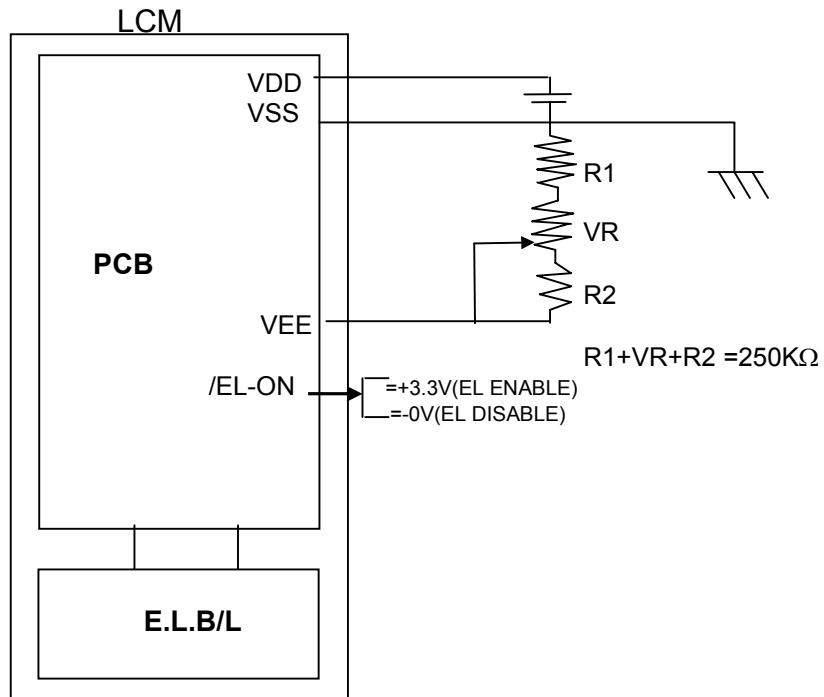
The missing pixels may occur when the LCM is driven beyond above power interface timing sequence.

### POWER ON

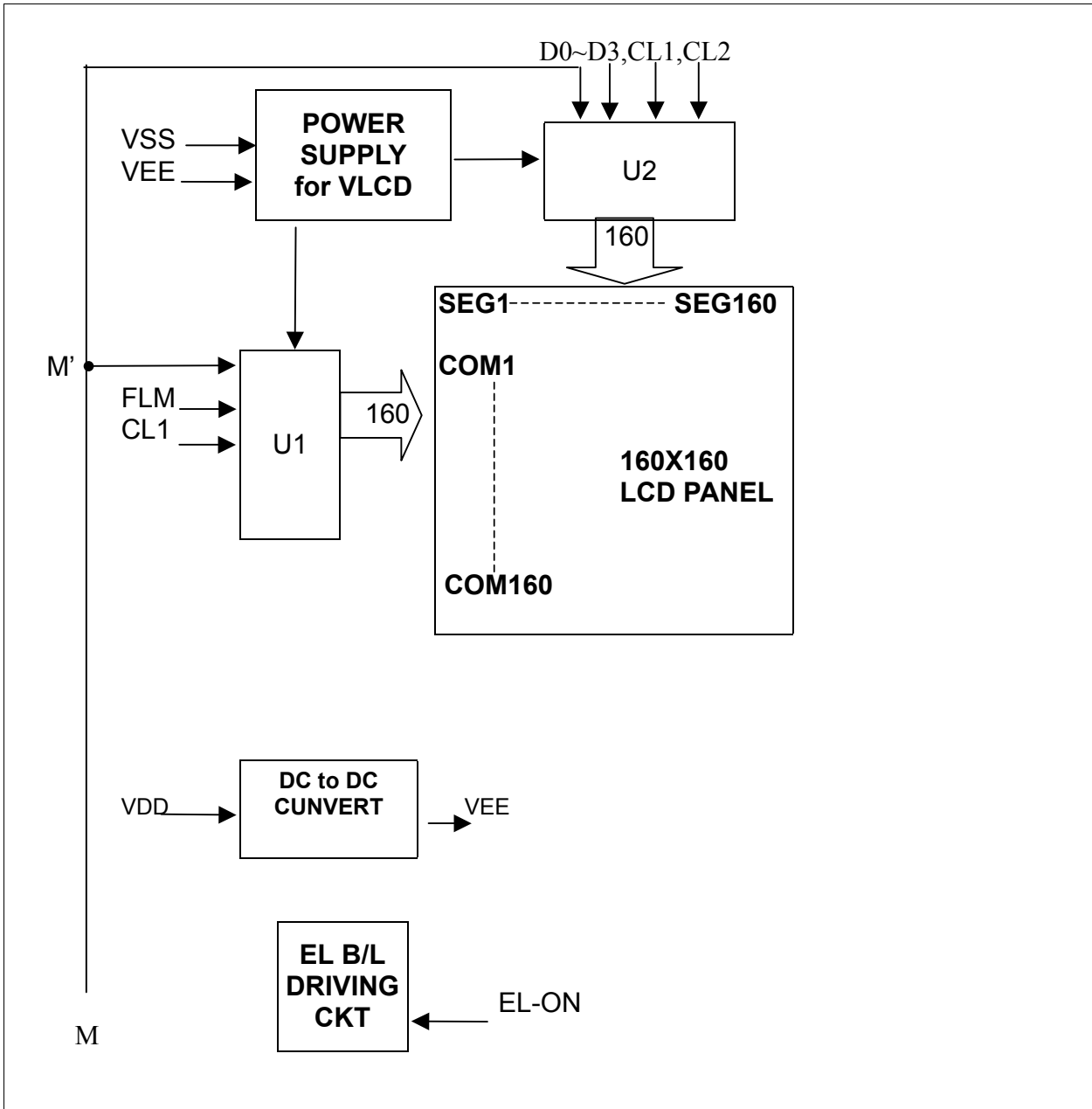
## 8. PIN CONNECTIONS

NO	Symbol	Function
1	VSS	Power Supply (0V)
2	FLM	First Line Mark for Common Scan
3	CL1(LP)	H→L Data Latch Pulse
4	CL2(SCP)	H→L Data Shift Pulse
5	M(N.C)	H/L Frame Reverse Signal (Alternate Signal)
6	VDD	Power Supply for Logic
7	EL_ON	EL. Back light ON /OFF ("H"=ON,"L"=OFF)
8	VEE	Power Supply for LCD (+V)
9	D3	H/L Display data(Upper Half)
10	D2	
11	D1	
12	D0	
13	TP_L	Touch Panel Pin Output Left
14	TP_U	Touch Panel Pin Output UP
15	TP_R	Touch Panel Pin Output Right
16	TP_D	Touch Panel Pin Output Down
17	VSS	Power Supply (0V)
18	VSS	Power Supply (0V)

## 9. POWER SUPPLY



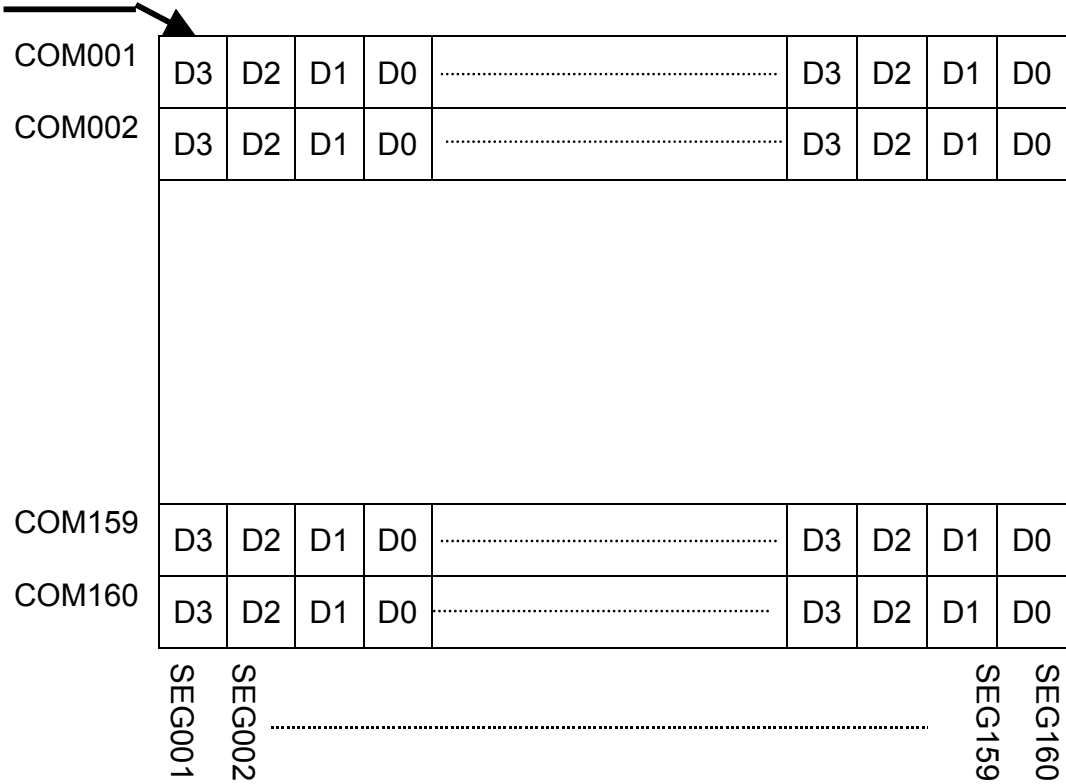
## 10. BLOCK DIAGRAM



\*M SIGNAL CAN BE SUPPLIED BY USER'S INTERFACE OR GENERATED BY MODULE'S CKT (FOR THIS SPEC.,M SIGNAL MUST BE SUPPLIED BY USER'S INTEREACE)

## 10.1 DISPLAY PATTERN

FIRST DATA



**160\*160 Dots Matrix**

# 11. QUALITY ASSURANCE

## 11.1 Test Condition

### 11.1.1 Temperature and Humidity(Ambient Temperature)

Temperature :  $20 \pm 5^{\circ}\text{C}$

Humidity :  $65 \pm 5\%$

### 11.1.2 Operation

Unless specified otherwise, test will be conducted with LCM in operation.

### 11.1.3 Container

Unless specified otherwise, vibration test will be conducted on module only.

### 11.1.4 Test Frequency

Single cycle.

### 11.1.5 Test Method

No.	Parameter	Conditions	Regulations
1	High Temperature Operating	$70 \pm 2^{\circ}\text{C}$	Note 3
2	Low Temperature Operating	$-20 \pm 2^{\circ}\text{C}$	Note 3
3	High Temperature Storage	$80 \pm 2^{\circ}\text{C}$	Note 3
4	Low Temperature Storage	$-30 \pm 2^{\circ}\text{C}$	Note 3
5	Vibration Test (Non-operation state)	Total fixed amplitude : 1.5mm Vibration Frequency : 10 ~ 55Hz One cycle 60 seconds to 3 directions of X.Y.Z. for each 15 minutes	Note 3
6	Damp Proof Test (Non-operation state)	$40^{\circ}\text{C} \pm 2^{\circ}\text{C}$ , 90~95%RH, 96h	Note 1,2
7	Shock Test (Non-operation state)	To be measured after dropping from 60cm high once concrete surface in packing state	Note 3

Note 1: Returned under normal temperature and humidity for 4 hrs.

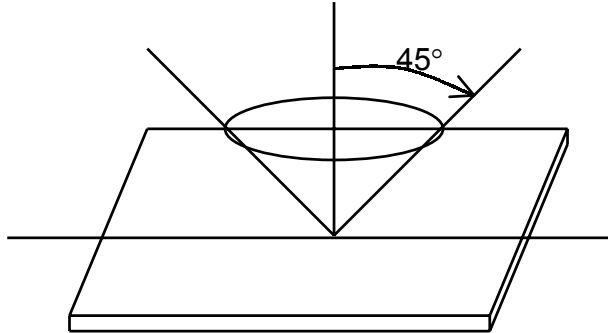
Note 2: No dew condensation to be observed.

Note 3: No change on display and in operation under the test condition

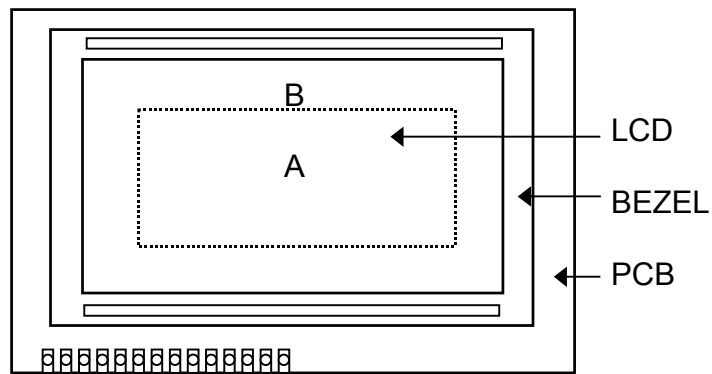
## 11.2 Inspection condition

### 11.2.1 Inspection conditions

The LCD shall be inspected under 40W white fluorescent light.



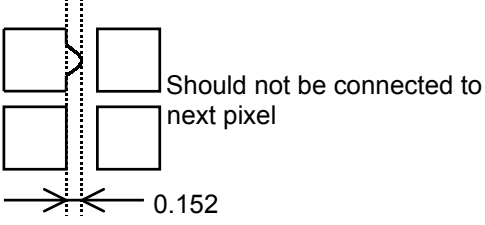
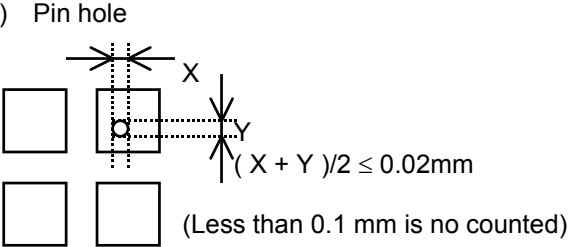
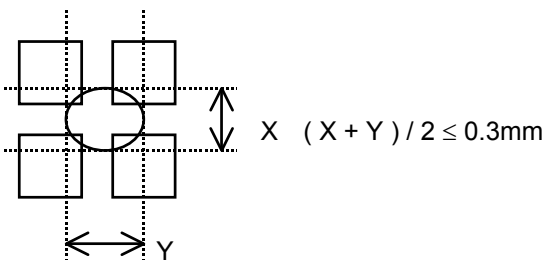
### 11.2.2 Definition of applicable Zones



A : Display Area  
B : Non-Display Area

11.2.3 Inspection Parameters

No.	Parameter	Criteria																												
1	Black or White spots	<table border="1"> <thead> <tr> <th rowspan="2">Zone Dimension</th> <th colspan="2">Acceptable number</th> <th rowspan="2">Class Of Defects</th> <th rowspan="2">AQL Level</th> </tr> <tr> <th>A</th> <th>B</th> </tr> </thead> <tbody> <tr> <td>D &lt; 0.15</td> <td>*</td> <td>*</td> <td rowspan="4">Minor</td> <td rowspan="4">2.5</td> </tr> <tr> <td>0.15 ≤ D &lt; 0.2</td> <td>4</td> <td>4</td> </tr> <tr> <td>0.2 ≤ D ≤ 0.25</td> <td>2</td> <td>2</td> </tr> <tr> <td>D ≤ 0.3</td> <td>0</td> <td>1</td> </tr> </tbody> </table> <p style="text-align: center;">D = (Long + Short) / 2      * : Disregard</p>	Zone Dimension	Acceptable number		Class Of Defects	AQL Level	A	B	D < 0.15	*	*	Minor	2.5	0.15 ≤ D < 0.2	4	4	0.2 ≤ D ≤ 0.25	2	2	D ≤ 0.3	0	1							
Zone Dimension	Acceptable number			Class Of Defects	AQL Level																									
	A	B																												
D < 0.15	*	*	Minor	2.5																										
0.15 ≤ D < 0.2	4	4																												
0.2 ≤ D ≤ 0.25	2	2																												
D ≤ 0.3	0	1																												
2	Scratch, Substances	<table border="1"> <thead> <tr> <th colspan="2">Zone</th> <th colspan="2">Acceptable number</th> <th rowspan="2">Class Of Defects</th> <th rowspan="2">AQL Level</th> </tr> <tr> <th>X (mm)</th> <th>Y(mm)</th> <th>A</th> <th>B</th> </tr> </thead> <tbody> <tr> <td>*</td> <td>0.04 ≥ W</td> <td>*</td> <td>*</td> <td rowspan="4">Minor</td> <td rowspan="4">2.5</td> </tr> <tr> <td>3.0 ≥ L</td> <td>0.06 ≥ W</td> <td>4</td> <td>4</td> </tr> <tr> <td>2.0 ≥ L</td> <td>0.08 ≥ W</td> <td>2</td> <td>3</td> </tr> <tr> <td>—</td> <td>0.1 &lt; W</td> <td>0</td> <td>1</td> </tr> </tbody> </table> <p style="text-align: center;">X : Length    Y : Width      * : Disregard Total defects should not exceed 4/module</p>	Zone		Acceptable number		Class Of Defects	AQL Level	X (mm)	Y(mm)	A	B	*	0.04 ≥ W	*	*	Minor	2.5	3.0 ≥ L	0.06 ≥ W	4	4	2.0 ≥ L	0.08 ≥ W	2	3	—	0.1 < W	0	1
Zone		Acceptable number		Class Of Defects	AQL Level																									
X (mm)	Y(mm)	A	B																											
*	0.04 ≥ W	*	*	Minor	2.5																									
3.0 ≥ L	0.06 ≥ W	4	4																											
2.0 ≥ L	0.08 ≥ W	2	3																											
—	0.1 < W	0	1																											
3	Air Bubbles (between glass & polarizer)	<table border="1"> <thead> <tr> <th rowspan="2">Zone Dimension</th> <th colspan="2">Acceptable number</th> <th rowspan="2">Class of Defects</th> <th rowspan="2">AQL Level</th> </tr> <tr> <th>A</th> <th>B</th> </tr> </thead> <tbody> <tr> <td>D ≤ 0.15</td> <td>*</td> <td>*</td> <td rowspan="3">Minor</td> <td rowspan="3">2.5</td> </tr> <tr> <td>0.15 &lt; D ≤ 0.25</td> <td>2</td> <td>*</td> </tr> <tr> <td>0.25 &lt; D</td> <td>0</td> <td>1</td> </tr> </tbody> </table> <p style="text-align: center;">* : Disregard Total defects shall not excess 3/module.</p>	Zone Dimension	Acceptable number		Class of Defects	AQL Level	A	B	D ≤ 0.15	*	*	Minor	2.5	0.15 < D ≤ 0.25	2	*	0.25 < D	0	1										
Zone Dimension	Acceptable number			Class of Defects	AQL Level																									
	A	B																												
D ≤ 0.15	*	*	Minor	2.5																										
0.15 < D ≤ 0.25	2	*																												
0.25 < D	0	1																												
4	Uniformity of Pixel	<p>(1) Pixel shape (with Dent)</p>																												

4	Uniformity of Pixel	<p>(2) Pixel shape ( with Projection)</p> 	
		<p>(3) Pin hole</p> 	
		<p>(4) Deformation</p> 	
		<p>Total acceptable number : 1/pixel, 5/cell</p>	
Class of defects	<b>Major</b>	AQL 0.65%	<p><b>Definition</b></p> <p>It is a defect that is likely to result in failure or to reduce materially the usability of the product for the intended function.</p>
		AQL 1.00%	<p>It is a defect that is likely to assembly size and not result in functioning problem.</p>
	<b>Minor</b>	AQL 2.5%	<p>It is a defect that will not result in functioning problem with deviation classified.</p>

### 11.3 Sampling Condition

Unless otherwise agree in written, the sampling inspection shall be applied to the incoming inspection of customer.

Lot size: Quantity of shipment lot per model.

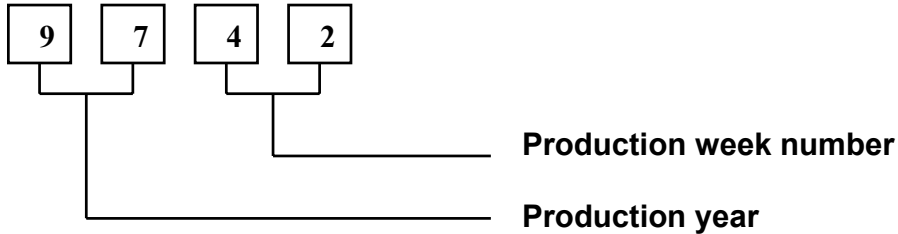
Sampling type: normal inspection, single sampling

Inspection level: Level II

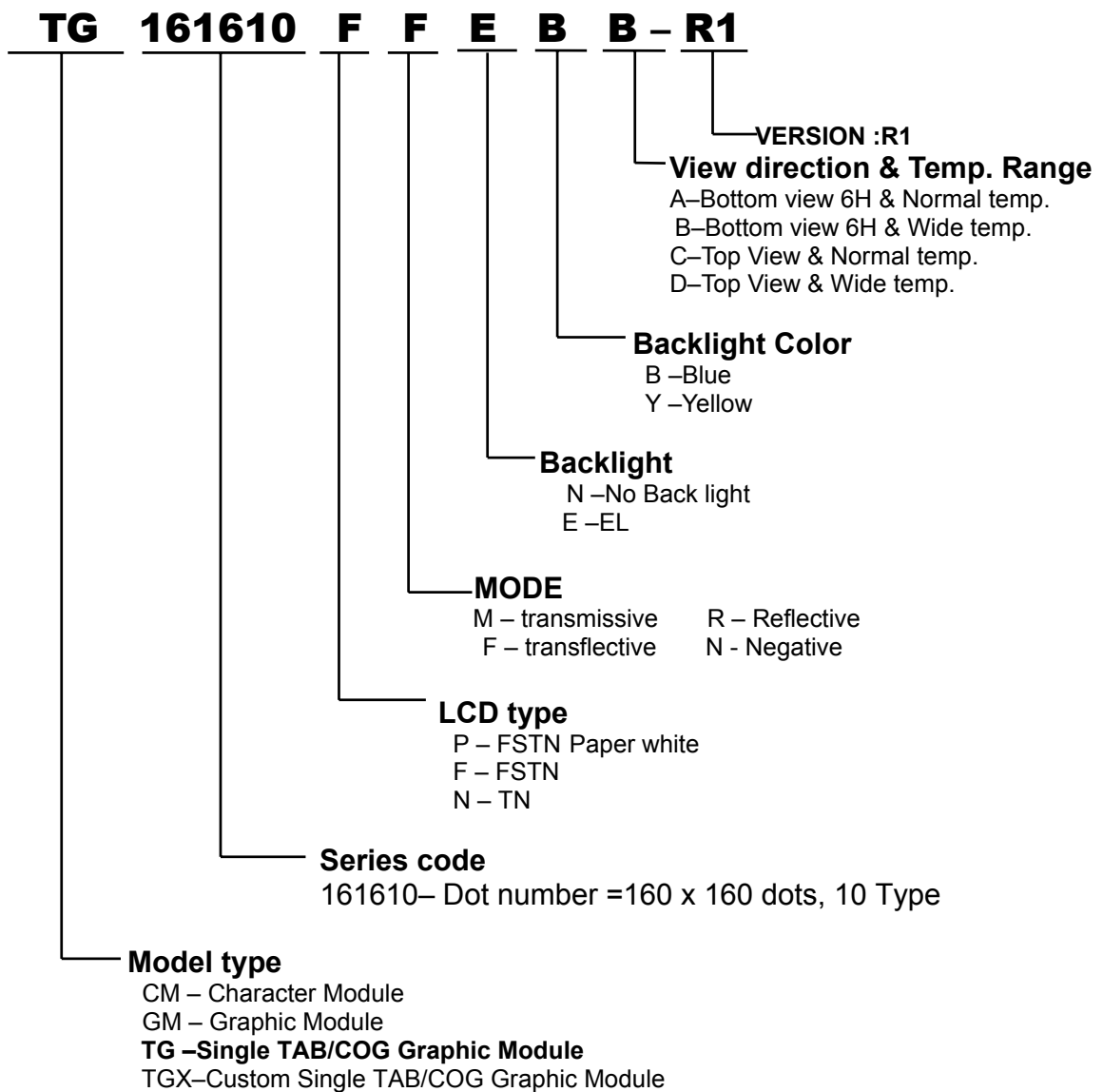
Sampling table: MIL-STD-105E



## 12. LOT NUMBERING SYSTEM



## 13. LCM NUMBERING SYSTEM



## 14. PRECAUTION FOR USING LCM

### 1. LIQUID CRYSTAL DISPLAY (LCD)

LCD is made up of glass, organic sealant, organic fluid, and polymer based polarizers. The following precautions should be taken when handling,

- (1). Keep the temperature within range of use and storage. Excessive temperature and humidity could cause polarization degradation, polarizer peel off or bubble.
- (2). Do not contact the exposed polarizers with anything harder than an HB pencil lead. To clean dust off the display surface, wipe gently with cotton, chamois or other soft material soaked in petroleum benzin.
- (3). Wipe off saliva or water drops immediately. Contact with water over a long period of time may cause polarizer deformation or color fading, while an active LCD with water condensation on its surface will cause corrosion of ITO electrodes.
- (4). Glass can be easily chipped or cracked from rough handling, especially at corners and edges.
- (5). Do not drive LCD with DC voltage.

### 2. Liquid Crystal Display Modules

#### 2.1 Mechanical Considerations

LCM are assembled and adjusted with a high degree of precision. Avoid excessive shocks and do not make any alterations or modifications. The following should be noted.

- (1). Do not tamper in any way with the tabs on the metal frame.
- (2). Do not modify the PCB by drilling extra holes, changing its outline, moving its components or modifying its pattern.
- (3). Do not touch the elastomer connector, especially insert an backlight panel (for example, EL).
- (4). When mounting a LCM make sure that the PCB is not under any stress such as bending or twisting. Elastomer contacts are very delicate and missing pixels could result from slight dislocation of any of the elements.
- (5). Avoid pressing on the metal bezel, otherwise the elastomer connector could be deformed and lose contact, resulting in missing pixels.

#### 2.2. Static Electricity

LCM contains CMOS LSI's and the same precaution for such devices should apply, namely

- (1). The operator should be grounded whenever he/she comes into contact with the module. Never touch any of the conductive parts such as the LSI pads, the copper leads on the PCB and the interface terminals with any parts of the human body.
- (2). The modules should be kept in antistatic bags or other containers resistant to static for storage.
- (3). Only properly grounded soldering irons should be used.
- (4). If an electric screwdriver is used, it should be well grounded and shielded from commutator sparks.

(5) The normal static prevention measures should be observed for work clothes and working benches; for the latter conductive (rubber) mat is recommended.

(6). Since dry air is inductive to static, a relative humidity of 50-60% is recommended.

#### 2.3 Soldering

- (1). Solder only to the I/O terminals.
- (2). Use only soldering irons with proper grounding and no leakage.
- (3). Soldering temperature :  $280^{\circ}\text{C} \pm 10^{\circ}\text{C}$
- (4). Soldering time: 3 to 4 sec.
- (5). Use eutectic solder with resin flux fill.
- (6). If flux is used, the LCD surface should be covered to avoid flux spatters. Flux residue should be removed after wards.

#### 2.4 Operation

- (1). The viewing angle can be adjusted by varying the LCD driving voltage V0.
- (2). Driving voltage should be kept within specified range; excess voltage shortens display life.
- (3). Response time increases with decrease in temperature.
- (4). Display may turn black or dark blue at temperatures above its operational range; this is (however not pressing on the viewing area) may cause the segments to appear "fractured".
- (5). Mechanical disturbance during operation (such as pressing on the viewing area) may cause the segments to appear "fractured".

#### 2.5 Storage

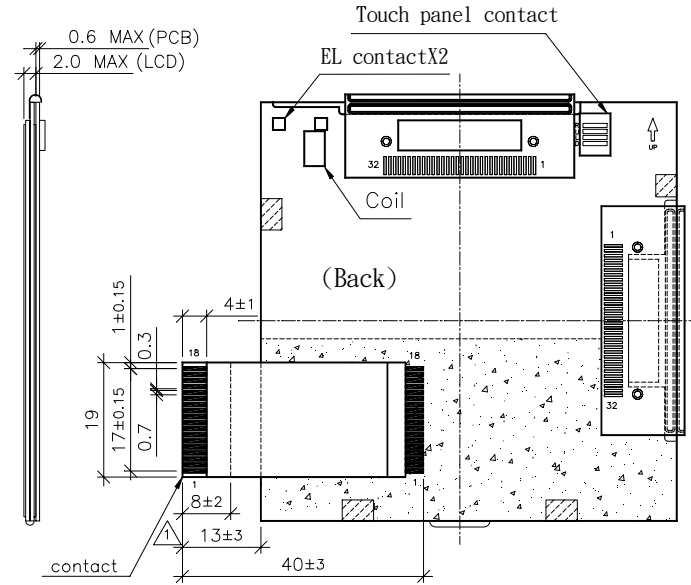
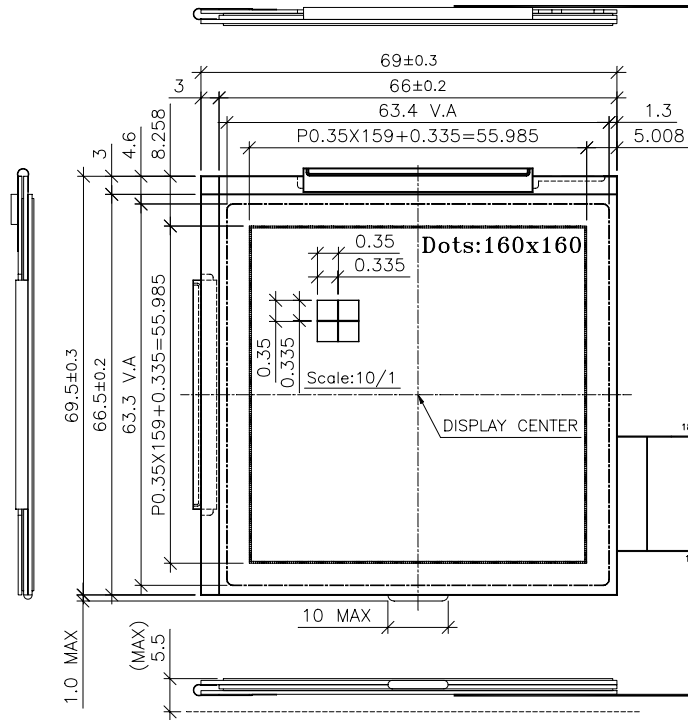
If any fluid leaks out of a damaged glass cell, wash off any human part that comes into contact with soap and water. Never swallow the fluid. The toxicity is extremely low but caution should be exercised at all the time.

#### 2.6 Limited Warranty

Unless otherwise agreed between DATA IMAGE and customer, DATA IMAGE will replace or repair any of its LCD and LCM which is found to be defective electrically and visually when inspected in accordance with DATA IMAGE acceptance standards, for a period on one year from date of shipment. Confirmation of such date shall be based on freight documents. The warranty liability of DATA IMAGE is limited to repair and/or replacement on the terms set forth above. DATA IMAGE will not responsible for any subsequent or consequential events.

# 15 OUTLINE DRAWING

UNITS MM



**PIN FUNCTIONS**

1. Vss	6. Vdd	11. D1	16. TP_D
2. FLM	7. EL_ON	12. D0	17. Vss
3. CL1	8. Vee	13. TP_L	18. Vss
4. CL2	9. D3	14. TP_U	
5. M	10. D2	15. TP_R	

PAD

No component

NOTE:1.TOLERANCE IS ±0.2mm UNLESS OTHERWISE NOTED.  
2.CORRESPONDABLE INTERFACE CONN' :MOLEX 52271-1890.

## 16. PACKAGE INFORMATION

