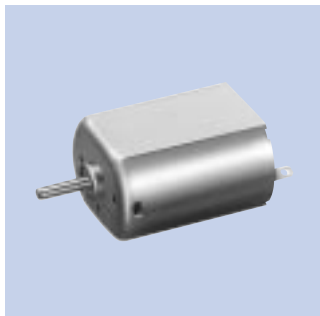


代表的用途 / OA機器

- プリンター
- FAXカッター
- 自動車電装機器
- 鏡面駆動
- 光軸調整

Typical Applications / Office Automation Equipments

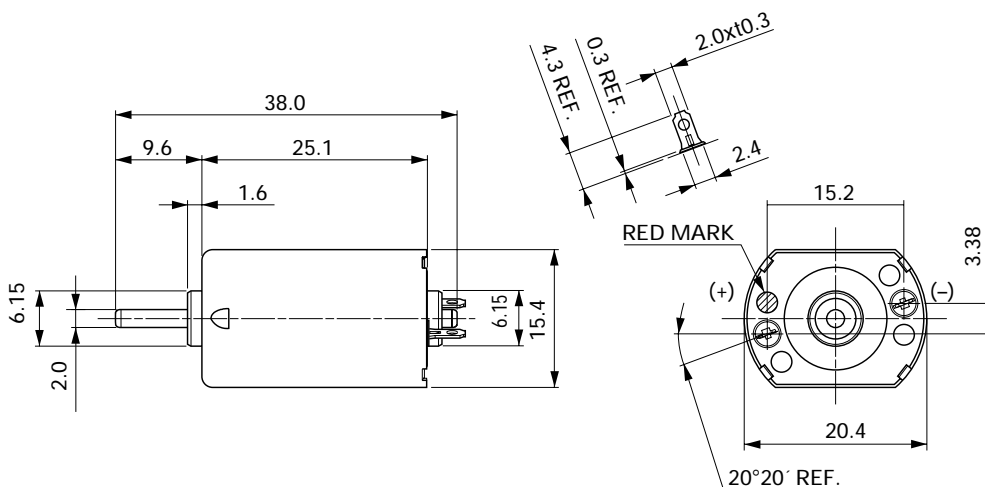
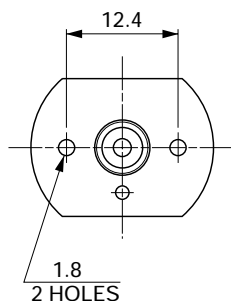
- Printer
- FAX Paper Cutter
- Automotive Products
- Rearview Mirror
- Head Light Beam Level Adjuster



MODEL	VOLTAGE		NO LOAD		AT MAXIMUM EFFICIENCY				STALL			
	OPERATING RANGE	NOMINAL	SPEED r/min	CURRENT A	SPEED r/min	CURRENT A	TORQUE g·cm	TORQUE mN·m	OUTPUT W	TORQUE g·cm	TORQUE mN·m	CURRENT A
FK-130RH-09490	6 - 18	12V CONSTANT	9000	0.034	6900	0.12	8.5	0.83	0.60	40	3.92	0.41
FK-130SH-09450	6 - 24	12V CONSTANT	7200	0.035	6100	0.11	10	0.98	0.63	60	5.88	0.47

UNIT: MILLIMETERS

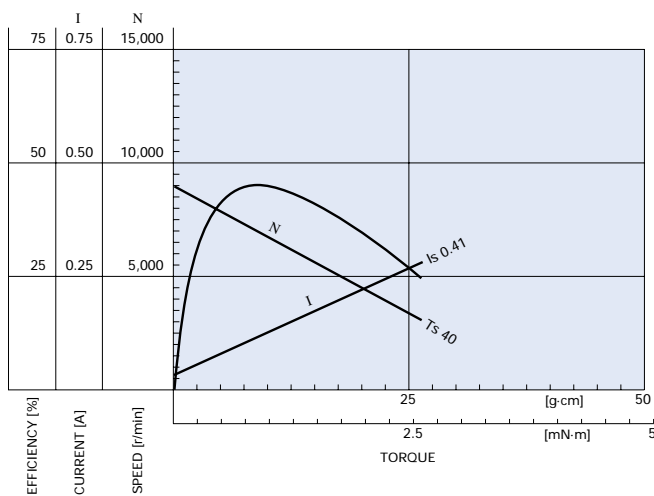
DIRECTION OF ROTATION



WEIGHT: 24g (APPROX)

FK-130RH-09490

12.0V



FK-130SH-09450

12.0V

