

## Advance Information

MPC860EC  
Rev. 6.3 9/2003

MPC860 Family  
Hardware Specifications



**MOTOROLA**  
intelligence everywhere™

digital dna™ 

This hardware specification contains detailed information on power considerations, DC/AC electrical characteristics, and AC timing specifications for the MPC860 family.

This hardware specification covers the following topics:

<b>Topic</b>	<b>Page</b>
Section 1, "Overview"	2
Section 2, "Features"	2
Section 3, "Maximum Tolerated Ratings"	6
Section 4, "Thermal Characteristics"	7
Section 5, "Power Dissipation"	8
Section 6, "DC Characteristics"	8
Section 7, "Thermal Calculation and Measurement"	10
Section 8, "Layout Practices"	12
Section 9, "Bus Signal Timing"	12
Section 10, "IEEE 1149.1 Electrical Specifications"	40
Section 11, "CPM Electrical Characteristics"	42
Section 12, "UTOPIA AC Electrical Specifications"	65
Section 13, "FEC Electrical Characteristics"	67
Section 14, "Mechanical Data and Ordering Information"	71
Section 15, "Document Revision History"	76

# 1 Overview

The MPC860 Quad Integrated Communications Controller (PowerQUICC™) is a versatile one-chip integrated microprocessor and peripheral combination designed for a variety of controller applications. It particularly excels in communications and networking systems. The PowerQUICC unit is referred to as the MPC860 in this hardware specification.

The MPC860 is a derivative of Motorola's MC68360 Quad Integrated Communications Controller (QUICC™), referred to here as the QUICC, which implements the PowerPC architecture. The CPU on the MPC860 is a 32-bit PowerPC™ core that incorporates memory management units (MMUs) and instruction and data caches and that implements the PowerPC instruction set. The communications processor module (CPM) from the MC68360 QUICC has been enhanced by the addition of the inter-integrated controller (I<sup>2</sup>C) channel. The memory controller has been enhanced, enabling the MPC860 to support any type of memory, including high-performance memories and new types of DRAMs. A PCMCIA socket controller supports up to two sockets. A real-time clock has also been integrated.

Table 1 shows the functionality supported by the members of the MPC860 family.

**Table 1. MPC860 Family Functionality**

Part	Cache (Kbytes)		Ethernet		ATM	SCC	Reference <sup>1</sup>
	Instruction Cache	Data Cache	10T	10/100			
MPC860DE	4	4	Up to 2	—	—	2	1
MPC860DT	4	4	Up to 2	1	Yes	2	1
MPC860DP	16	8	Up to 2	1	Yes	2	1
MPC860EN	4	4	Up to 4	—	—	4	1
MPC860SR	4	4	Up to 4	—	Yes	4	1
MPC860T	4	4	Up to 4	1	Yes	4	1
MPC860P	16	8	Up to 4	1	Yes	4	1
MPC855T	4	4	1	1	Yes	1	2

<sup>1</sup> Supporting documentation for these devices refers to the following:

1. MPC860 PowerQUICC Family User's Manual (MPC860UM/D, Rev. 2)
2. MPC855T User's Manual (MPC855TUM/D, Rev. 1)

## 2 Features

The following list summarizes the key MPC860 features:

- Embedded single-issue, 32-bit PowerPC™ core (implementing the PowerPC architecture) with thirty-two 32-bit general-purpose registers (GPRs)
  - The core performs branch prediction with conditional prefetch without conditional execution.
  - 4- or 8-Kbyte data cache and 4- or 16-Kbyte instruction cache (see Table 1)
    - 16-Kbyte instruction caches are four-way, set-associative with 256 sets; 4-Kbyte instruction caches are two-way, set-associative with 128 sets.
    - 8-Kbyte data caches are two-way, set-associative with 256 sets; 4-Kbyte data caches are two-way, set-associative with 128 sets.

- Cache coherency for both instruction and data caches is maintained on 128-bit (4-word) cache blocks.
- Caches are physically addressed, implement a least recently used (LRU) replacement algorithm, and are lockable on a cache block basis.
- MMUs with 32-entry TLB, fully-associative instruction, and data TLBs
- MMUs support multiple page sizes of 4-, 16-, and 512-Kbytes, and 8-Mbytes; 16 virtual address spaces and 16 protection groups
- Advanced on-chip-emulation debug mode
- Up to 32-bit data bus (dynamic bus sizing for 8, 16, and 32 bits)
- 32 address lines
- Operates at up to 80 MHz
- Memory controller (eight banks)
  - Contains complete dynamic RAM (DRAM) controller
  - Each bank can be a chip select or  $\overline{\text{RAS}}$  to support a DRAM bank.
  - Up to 15 wait states programmable per memory bank
  - Glueless interface to DRAM, SIMMS, SRAM, EPROM, Flash EPROM, and other memory devices
  - DRAM controller programmable to support most size and speed memory interfaces
  - Four  $\overline{\text{CAS}}$  lines, four  $\overline{\text{WE}}$  lines, and one  $\overline{\text{OE}}$  line
  - Boot chip-select available at reset (options for 8-, 16-, or 32-bit memory)
  - Variable block sizes (32 Kbyte to 256 Mbyte)
  - Selectable write protection
  - On-chip bus arbitration logic
- General-purpose timers
  - Four 16-bit timers or two 32-bit timers
  - Gate mode can enable/disable counting
  - Interrupt can be masked on reference match and event capture.
- System integration unit (SIU)
  - Bus monitor
  - Software watchdog
  - Periodic interrupt timer (PIT)
  - Low-power stop mode
  - Clock synthesizer
  - Decrementer, time base, and real-time clock (RTC) from the PowerPC architecture
  - Reset controller
  - IEEE 1149.1 test access port (JTAG)

## Features

- Interrupts
  - Seven external interrupt request (IRQ) lines
  - 12 port pins with interrupt capability
  - 23 internal interrupt sources
  - Programmable priority between SCCs
  - Programmable highest priority request
- 10/100 Mbps Ethernet support, fully compliant with the IEEE 802.3u Standard (not available when using ATM over UTOPIA interface)
- ATM support compliant with ATM forum UNI 4.0 specification
  - Cell processing up to 50–70 Mbps at 50-MHz system clock
  - Cell multiplexing/demultiplexing
  - Support of AAL5 and AAL0 protocols on a per-VC basis. AAL0 support enables OAM and software implementation of other protocols.
  - ATM pace control (APC) scheduler, providing direct support for constant bit rate (CBR) and unspecified bit rate (UBR) and providing control mechanisms enabling software support of available bit rate (ABR)
  - Physical interface support for UTOPIA (10/100-Mbps is not supported with this interface) and byte-aligned serial (for example, T1/E1/ADSL)
  - UTOPIA-mode ATM supports level-1 master with cell-level handshake, multi-PHY (up to four physical layer devices), connection to 25-, 51-, or 155-Mbps framers, and UTOPIA/system clock ratios of 1/2 or 1/3.
  - Serial-mode ATM connection supports transmission convergence (TC) function for T1/E1/ADSL lines, cell delineation, cell payload scrambling/descrambling, automatic idle/unassigned cell insertion/stripping, header error control (HEC) generation, checking, and statistics.
- Communications processor module (CPM)
  - RISC communications processor (CP)
  - Communication-specific commands (for example, GRACEFUL STOP TRANSMIT, ENTER HUNT MODE, and RESTART TRANSMIT)
  - Supports continuous mode transmission and reception on all serial channels
  - Up to 8 Kbytes of dual-port RAM
  - 16 serial DMA (SDMA) channels
  - Three parallel I/O registers with open-drain capability
- Four baud-rate generators (BRGs)
  - Independent (can be tied to any SCC or SMC)
  - Allows changes during operation
  - Autobaud support option
- Four serial communications controllers (SCCs)
  - Ethernet/IEEE 802.3 optional on SCC1–4, supporting full 10-Mbps operation (available only on specially programmed devices)
  - HDLC/SDLC (all channels supported at 2 Mbps)
  - HDLC bus (implements an HDLC-based local area network (LAN))
  - Asynchronous HDLC to support point-to-point protocol (PPP)

- AppleTalk
- Universal asynchronous receiver transmitter (UART)
- Synchronous UART
- Serial infrared (IrDA)
- Binary synchronous communication (BISYNC)
- Totally transparent (bit streams)
- Totally transparent (frame-based with optional cyclic redundancy check (CRC))
- Two SMCs (serial management channels)
  - UART
  - Transparent
  - General circuit interface (GCI) controller
  - Can be connected to the time-division multiplexed (TDM) channels
- One SPI (serial peripheral interface)
  - Supports master and slave modes
  - Supports multimaster operation on the same bus
- One I<sup>2</sup>C (inter-integrated circuit) port
  - Supports master and slave modes
  - Multiple-master environment support
- Time-slot assigner (TSA)
  - Allows SCCs and SMCs to run in multiplexed and/or non-multiplexed operation
  - Supports T1, CEPT, PCM highway, ISDN basic rate, ISDN primary rate, user defined
  - 1- or 8-bit resolution
  - Allows independent transmit and receive routing, frame synchronization, and clocking
  - Allows dynamic changes
  - Can be internally connected to six serial channels (four SCCs and two SMCs)
- Parallel interface port (PIP)
  - Centronics interface support
  - Supports fast connection between compatible ports on the MPC860 or the MC68360
- PCMCIA interface
  - Master (socket) interface, release 2.1 compliant
  - Supports two independent PCMCIA sockets
  - Supports eight memory or I/O windows
- Low power support
  - Full on—all units fully powered
  - Doze—core functional units disabled except time base decremter, PLL, memory controller, RTC, and CPM in low-power standby
  - Sleep—all units disabled except RTC and PIT, PLL active for fast wake up
  - Deep sleep—all units disabled including PLL except RTC and PIT
  - Power down mode—all units powered down except PLL, RTC, PIT, time base, and decremter
- Debug interface

## Maximum Tolerated Ratings

- Eight comparators: four operate on instruction address, two operate on data address, and two operate on data
- Supports conditions: = ≠ < >
- Each watchpoint can generate a break-point internally.
- 3.3-V operation with 5-V TTL compatibility except EXTAL and EXTCLK
- 357-pin ball grid array (BGA) package

## 3 Maximum Tolerated Ratings

This section provides the maximum tolerated voltage and temperature ranges for the MPC860. Table 2 provides the maximum ratings.

This device contains circuitry protecting against damage due to high-static voltage or electrical fields; however, it is advised that normal precautions be taken to avoid application of any voltages higher than maximum-rated voltages to this high-impedance circuit. Reliability of operation is enhanced if unused inputs are tied to an appropriate logic voltage level (for example, either GND or  $V_{dd}$ ).

**Table 2. Maximum Tolerated Ratings**

(GND = 0 V)

Rating	Symbol	Value	Unit
Supply voltage <sup>1</sup>	$V_{DDH}$	−0.3 to 4.0	V
	$V_{DDL}$	−0.3 to 4.0	V
	KAPWR	−0.3 to 4.0	V
	VDDSYN	−0.3 to 4.0	V
Input voltage <sup>2</sup>	$V_{in}$	GND − 0.3 to $V_{DDH}$	V
Temperature <sup>3</sup> (standard)	$T_{A(min)}$	0	°C
	$T_{J(max)}$	95	°C
Temperature <sup>3</sup> (extended)	$T_{A(min)}$	−40	°C
	$T_{J(max)}$	95	°C
Storage temperature range	$T_{stg}$	−55 to 150	°C

<sup>1</sup> The power supply of the device must start its ramp from 0.0 V.

<sup>2</sup> Functional operating conditions are provided with the DC electrical specifications in Table 5. Absolute maximum ratings are stress ratings only; functional operation at the maxima is not guaranteed. Stress beyond those listed may affect device reliability or cause permanent damage to the device.

**Caution:** All inputs that tolerate 5 V cannot be more than 2.5 V greater than the supply voltage. This restriction applies to power-up and normal operation (that is, if the MPC860 is unpowered, voltage greater than 2.5 V must not be applied to its inputs).

<sup>3</sup> Minimum temperatures are guaranteed as ambient temperature,  $T_A$ . Maximum temperatures are guaranteed as junction temperature,  $T_J$ .

## 4 Thermal Characteristics

Table 3 shows the thermal characteristics for the MPC860.

**Table 3. MPC860 Thermal Resistance Data**

Rating	Environment		Symbol	Rev A	Rev B, C, D	Unit
Junction-to-ambient <sup>1</sup>	Natural convection	Single-layer board (1s)	$R_{\theta JA}$ <sup>2</sup>	31	40	°C/W
		Four-layer board (2s2p)	$R_{\theta JMA}$ <sup>3</sup>	20	25	
	Airflow (200 ft/min)	Single-layer board (1s)	$R_{\theta JMA}$ <sup>3</sup>	26	32	
		Four-layer board (2s2p)	$R_{\theta JMA}$ <sup>3</sup>	16	21	
Junction-to-board <sup>4</sup>			$R_{\theta JB}$	8	15	
Junction-to-case <sup>5</sup>			$R_{\theta JC}$	5	7	
Junction-to-package top <sup>6</sup>	Natural convection		$\Psi_{JT}$	1	2	
	Airflow (200 ft/min)			2	3	

<sup>1</sup> Junction temperature is a function of on-chip power dissipation, package thermal resistance, mounting site (board) temperature, ambient temperature, air flow, power dissipation of other components on the board, and board thermal resistance.

<sup>2</sup> Per SEMI G38-87 and JEDEC JESD51-2 with the single layer board horizontal.

<sup>3</sup> Per JEDEC JESD51-6 with the board horizontal.

<sup>4</sup> Thermal resistance between the die and the printed circuit board per JEDEC JESD51-8. Board temperature is measured on the top surface of the board near the package.

<sup>5</sup> Indicates the average thermal resistance between the die and the case top surface as measured by the cold plate method (MIL SPEC-883 Method 1012.1) with the cold plate temperature used for the case temperature. For exposed pad packages where the pad would be expected to be soldered, junction-to-case thermal resistance is a simulated value from the junction to the exposed pad without contact resistance.

<sup>6</sup> Thermal characterization parameter indicating the temperature difference between the package top and the junction temperature per JEDEC JESD51-2.

## 5 Power Dissipation

Table 4 provides power dissipation information. The modes are 1:1, where CPU and bus speeds are equal, and 2:1, where CPU frequency is twice the bus speed.

**Table 4. Power Dissipation ( $P_D$ )**

Die Revision	Frequency (MHz)	Typical <sup>1</sup>	Maximum <sup>2</sup>	Unit
A.3 and previous	25	450	550	mW
	40	700	850	mW
	50	870	1050	mW
B.1 and C.1	33	375	TBD	mW
	50	575	TBD	mW
	66	750	TBD	mW
D.3 and D.4 (1:1 mode)	50	656	735	mW
	66	TBD	TBD	mW
D.3 and D.4 (2:1 mode)	66	722	762	mW
	80	851	909	mW

<sup>1</sup> Typical power dissipation is measured at 3.3 V.

<sup>2</sup> Maximum power dissipation is measured at 3.5 V.

### NOTE

Values in Table 4 represent  $V_{DDL}$ -based power dissipation and do not include I/O power dissipation over  $V_{DDH}$ . I/O power dissipation varies widely by application due to buffer current, depending on external circuitry.

## 6 DC Characteristics

Table 5 provides the DC electrical characteristics for the MPC860.

**Table 5. DC Electrical Specifications**

Characteristic	Symbol	Min	Max	Unit
Operating voltage at 40 MHz or less	$V_{DDH}$ , $V_{DDL}$ , $V_{DDSYN}$	3.0	3.6	V
	KAPWR (power-down mode)	2.0	3.6	V
	KAPWR (all other operating modes)	$V_{DDH} - 0.4$	$V_{DDH}$	V
Operating voltage greater than 40 MHz	$V_{DDH}$ , $V_{DDL}$ , KAPWR, $V_{DDSYN}$	3.135	3.465	V
	KAPWR (power-down mode)	2.0	3.6	V
	KAPWR (all other operating modes)	$V_{DDH} - 0.4$	$V_{DDH}$	V



Table 5. DC Electrical Specifications (continued)

Characteristic	Symbol	Min	Max	Unit
Input high voltage (all inputs except EXTAL and EXTCLK)	$V_{IH}$	2.0	5.5	V
Input low voltage	$V_{IL}$	GND	0.8	V
EXTAL, EXTCLK input high voltage	$V_{IHC}$	$0.7 \times (V_{DDH})$	$V_{DDH} + 0.3$	V
Input leakage current, $V_{in} = 5.5$ V (except TMS, $\overline{TRST}$ , DSCK, and DSDI pins)	$I_{in}$	—	100	$\mu$ A
Input leakage current, $V_{in} = 3.6$ V (except TMS, $\overline{TRST}$ , DSCK, and DSDI pins)	$I_{in}$	—	10	$\mu$ A
Input leakage current, $V_{in} = 0$ V (except TMS, $\overline{TRST}$ , DSCK, and DSDI pins)	$I_{in}$	—	10	$\mu$ A
Input capacitance <sup>1</sup>	$C_{in}$	—	20	pF
Output high voltage, $I_{OH} = -2.0$ mA, $V_{DDH} = 3.0$ V (except XTAL, XFC, and open-drain pins)	$V_{OH}$	2.4	—	V
Output low voltage $I_{OL} = 2.0$ mA, CLKOUT $I_{OL} = 3.2$ mA <sup>2</sup> $I_{OL} = 5.3$ mA <sup>3</sup> $I_{OL} = 7.0$ mA, TXD1/PA14, TXD2/PA12 $I_{OL} = 8.9$ mA, $\overline{TS}$ , $\overline{TA}$ , $\overline{TEA}$ , $\overline{BI}$ , $\overline{BB}$ , HRESET, SRESET	$V_{OL}$	—	0.5	V

<sup>1</sup> Input capacitance is periodically sampled.

<sup>2</sup> A(0:31), TSIZ0/ $\overline{REG}$ , TSIZ1, D(0:31), DP(0:3)/ $\overline{IRQ}$ (3:6), RD/ $\overline{WR}$ , BURST, RSV/ $\overline{IRQ2}$ , IP\_B(0:1)/IWP(0:1)/VFLS(0:1), IP\_B2/IOIS16\_B/AT2, IP\_B3/IWP2/VF2, IP\_B4/LWP0/VF0, IP\_B5/LWP1/VF1, IP\_B6/DSDI/AT0, IP\_B7/PTR/AT3, RXD1/PA15, RXD2/PA13, L1TXDB/PA11, L1RXDB/PA10, L1TXDA/PA9, L1RXDA/PA8, TIN1/L1RCLKA/BRGO1/CLK1/PA7, BRGCLK1/ $\overline{TOUT1}$ /CLK2/PA6, TIN2/L1TCLKA/BRGO2/CLK3/PA5,  $\overline{TOUT2}$ /CLK4/PA4, TIN3/BRGO3/CLK5/PA3, BRGCLK2/L1RCLKB/ $\overline{TOUT3}$ /CLK6/PA2, TIN4/BRGO4/CLK7/PA1, L1TCLKB/ $\overline{TOUT4}$ /CLK8/PA0, REJCT1/ $\overline{SPISL}$ /PB31, SPICLK/PB30, SPIMOSI/PB29, BRGO4/SPIMISO/PB28, BRGO1/I2CSDA/PB27, BRGO2/I2CSCL/PB26, SMTXD1/PB25, SMRXD1/PB24, SMSYN1/ $\overline{SDACK1}$ /PB23, SMSYN2/ $\overline{SDACK2}$ /PB22, SMTXD2/L1CLKOB/PB21, SMRXD2/L1CLKOA/PB20, L1ST1/ $\overline{RTS1}$ /PB19, L1ST2/ $\overline{RTS2}$ /PB18, L1ST3/L1RQB/PB17, L1ST4/L1RQA/PB16, BRGO3/PB15, RSTR1/ $\overline{PB14}$ , L1ST1/ $\overline{RTS1}$ / $\overline{DREQ0}$ /PC15, L1ST2/ $\overline{RTS2}$ / $\overline{DREQ1}$ /PC14, L1ST3/L1RQB/PC13, L1ST4/L1RQA/PC12, CTS1/PC11, TGATE1/CD1/PC10, CTS2/PC9, TGATE2/CD2/PC8,  $\overline{SDACK2}$ /L1TSYNCB/PC7, L1RSYNCB/PC6,  $\overline{SDACK1}$ /L1TSYNCA/PC5, L1RSYNCA/PC4, PD15, PD14, PD13, PD12, PD11, PD10, PD9, PD8, PD5, PD6, PD7, PD4, PD3, MII\_MDC, MII\_TX\_ER, MII\_EN, MII\_MDIO, MII\_TXD[0:3]

<sup>3</sup>  $\overline{BDIP}$ / $\overline{GPL}_B$ (5), BR, BG, FRZ/ $\overline{IRQ6}$ , CS(0:5), CS(6)/CE(1)\_B, CS(7)/CE(2)\_B,  $\overline{WE0}$ / $\overline{BS}_B$ /IORD,  $\overline{WE1}$ / $\overline{BS}_B$ /IOWR,  $\overline{WE2}$ / $\overline{BS}_B$ /PCOE,  $\overline{WE3}$ / $\overline{BS}_B$ /PCWE, BS\_A(0:3),  $\overline{GPL}_A$ / $\overline{GPL}_B$ , OE/ $\overline{GPL}_A$ / $\overline{GPL}_B$ ,  $\overline{GPL}_A$ (2:3)/ $\overline{GPL}_B$ (2:3)/CS(2:3), UPWAITA/ $\overline{GPL}_A$ , UPWAITB/ $\overline{GPL}_B$ ,  $\overline{GPL}_A$ 5, ALE\_A, CE1\_A, CE2\_A, ALE\_B/DSCK/AT1, OP(0:1), OP2/MODCK1/ $\overline{STS}$ , OP3/MODCK2/DSDO, BADDR(28:30)

## 7 Thermal Calculation and Measurement

For the following discussions,  $P_D = (V_{DD} \times I_{DD}) + \text{PI/O}$ , where PI/O is the power dissipation of the I/O drivers.

### 7.1 Estimation with Junction-to-Ambient Thermal Resistance

An estimation of the chip junction temperature,  $T_J$ , in °C can be obtained from the equation:

$$T_J = T_A + (R_{\theta JA} \times P_D)$$

where:

$T_A$  = ambient temperature (°C)

$R_{\theta JA}$  = package junction-to-ambient thermal resistance (°C/W)

$P_D$  = power dissipation in package

The junction-to-ambient thermal resistance is an industry standard value which provides a quick and easy estimation of thermal performance. However, the answer is only an estimate; test cases have demonstrated that errors of a factor of two (in the quantity  $T_J - T_A$ ) are possible.

### 7.2 Estimation with Junction-to-Case Thermal Resistance

Historically, the thermal resistance has frequently been expressed as the sum of a junction-to-case thermal resistance and a case-to-ambient thermal resistance:

$$R_{\theta JA} = R_{\theta JC} + R_{\theta CA}$$

where:

$R_{\theta JA}$  = junction-to-ambient thermal resistance (°C/W)

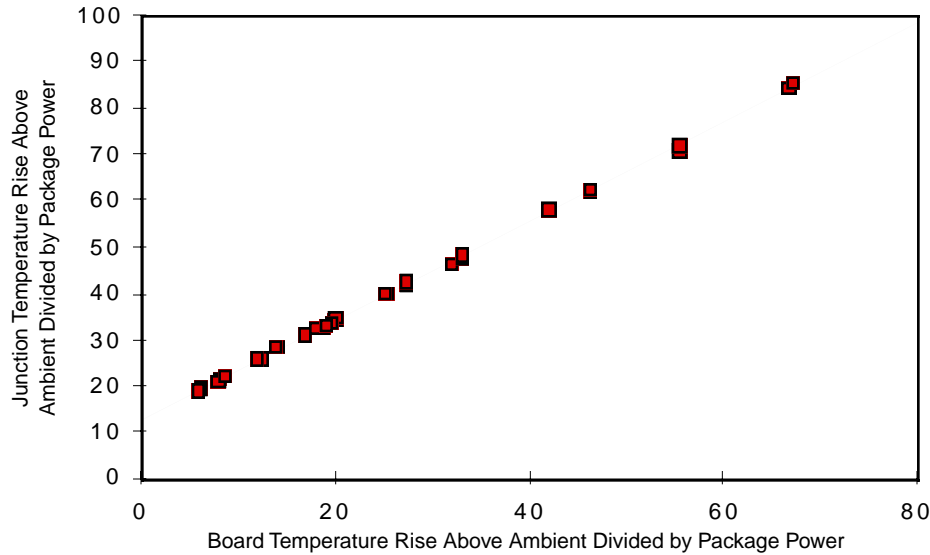
$R_{\theta JC}$  = junction-to-case thermal resistance (°C/W)

$R_{\theta CA}$  = case-to-ambient thermal resistance (°C/W)

$R_{\theta JC}$  is device related and cannot be influenced by the user. The user adjusts the thermal environment to affect the case-to-ambient thermal resistance,  $R_{\theta CA}$ . For instance, the user can change the air flow around the device, add a heat sink, change the mounting arrangement on the printed circuit board, or change the thermal dissipation on the printed circuit board surrounding the device. This thermal model is most useful for ceramic packages with heat sinks where some 90% of the heat flows through the case and the heat sink to the ambient environment. For most packages, a better model is required.

### 7.3 Estimation with Junction-to-Board Thermal Resistance

A simple package thermal model which has demonstrated reasonable accuracy (about 20%) is a two-resistor model consisting of a junction-to-board and a junction-to-case thermal resistance. The junction-to-case thermal resistance covers the situation where a heat sink is used or where a substantial amount of heat is dissipated from the top of the package. The junction-to-board thermal resistance describes the thermal performance when most of the heat is conducted to the printed circuit board. It has been observed that the thermal performance of most plastic packages, especially PBGA packages, is strongly dependent on the board temperature; see Figure 1.



**Figure 1. Effect of Board Temperature Rise on Thermal Behavior**

If the board temperature is known, an estimate of the junction temperature in the environment can be made using the following equation:

$$T_J = T_B + (R_{\theta JB} \times P_D)$$

where:

$R_{\theta JB}$  = junction-to-board thermal resistance ( $^{\circ}\text{C}/\text{W}$ )

$T_B$  = board temperature ( $^{\circ}\text{C}$ )

$P_D$  = power dissipation in package

If the board temperature is known and the heat loss from the package case to the air can be ignored, acceptable predictions of junction temperature can be made. For this method to work, the board and board mounting must be similar to the test board used to determine the junction-to-board thermal resistance, namely a 2s2p (board with a power and a ground plane) and by attaching the thermal balls to the ground plane.

## 7.4 Estimation Using Simulation

When the board temperature is not known, a thermal simulation of the application is needed. The simple two-resistor model can be used with the thermal simulation of the application [2], or a more accurate and complex model of the package can be used in the thermal simulation.

## 7.5 Experimental Determination

To determine the junction temperature of the device in the application after prototypes are available, the thermal characterization parameter ( $\Psi_{JT}$ ) can be used to determine the junction temperature with a measurement of the temperature at the top center of the package case using the following equation:

$$T_J = T_T + (\Psi_{JT} \times P_D)$$

where:

$\Psi_{JT}$  = thermal characterization parameter

## Layout Practices

$T_T$  = thermocouple temperature on top of package

$P_D$  = power dissipation in package

The thermal characterization parameter is measured per JEDEC JESD51-2 specification using a 40 gauge type T thermocouple epoxied to the top center of the package case. The thermocouple should be positioned so that the thermocouple junction rests on the package. A small amount of epoxy is placed over the thermocouple junction and over 1 mm of wire extending from the junction. The thermocouple wire is placed flat against the package case to avoid measurement errors caused by cooling effects of the thermocouple wire.

## 7.6 References

- |  |   |
|--|---|
| Semiconductor Equipment and Materials International<br>805 East Middlefield Rd.<br>Mountain View, CA 94043 | (415) 964-5111  |
| MIL-SPEC and EIA/JESD (JEDEC) Specifications<br>(Available from Global Engineering Documents)              | 800-854-7179 or<br>303-397-7956                         |
| JEDEC Specifications   | <a href="http://www.jedec.org">http://www.jedec.org</a> |
1. C.E. Triplett and B. Joiner, "An Experimental Characterization of a 272 PBGA Within an Automotive Engine Controller Module," Proceedings of SemiTherm, San Diego, 1998, pp. 47–54.
  2. B. Joiner and V. Adams, "Measurement and Simulation of Junction to Board Thermal Resistance and Its Application in Thermal Modeling," Proceedings of SemiTherm, San Diego, 1999, pp. 212–220.

## 8 Layout Practices

Each  $V_{DD}$  pin on the MPC860 should be provided with a low-impedance path to the board's supply. Each GND pin should likewise be provided with a low-impedance path to ground. The power supply pins drive distinct groups of logic on the chip. The  $V_{DD}$  power supply should be bypassed to ground using at least four 0.1  $\mu\text{F}$ -bypass capacitors located as close as possible to the four sides of the package. The capacitor leads and associated printed circuit traces connecting to chip  $V_{DD}$  and GND should be kept to less than half an inch per capacitor lead. A four-layer board employing two inner layers as  $V_{CC}$  and GND planes is recommended.

All output pins on the MPC860 have fast rise and fall times. Printed circuit (PC) trace interconnection length should be minimized in order to minimize undershoot and reflections caused by these fast output switching times. This recommendation particularly applies to the address and data buses. Maximum PC trace lengths of 6 inches are recommended. Capacitance calculations should consider all device loads as well as parasitic capacitances due to the PC traces. Attention to proper PCB layout and bypassing becomes especially critical in systems with higher capacitive loads because these loads create higher transient currents in the  $V_{CC}$  and GND circuits. Pull up all unused inputs or signals that will be inputs during reset. Special care should be taken to minimize the noise levels on the PLL supply pins.

## 9 Bus Signal Timing

Table 6 provides the bus operation timing for the MPC860 at 33, 40, 50, and 66 MHz.

The maximum bus speed supported by the MPC860 is 66 MHz. Higher-speed parts must be operated in half-speed bus mode (for example, an MPC860 used at 80 MHz must be configured for a 40 MHz bus).

The timing for the MPC860 bus shown assumes a 50-pF load for maximum delays and a 0-pF load for minimum delays.

Table 6. Bus Operation Timings

Num	Characteristic	33 MHz		40 MHz		50 MHz		66 MHz		Unit
		Min	Max	Min	Max	Min	Max	Min	Max	
B1	CLKOUT period	30.30	30.30	25.00	30.30	20.00	30.30	15.15	30.30	ns
B1a	EXTCLK to CLKOUT phase skew (EXTCLK > 15 MHz and MF <= 2)	-0.90	0.90	-0.90	0.90	-0.90	0.90	-0.90	0.90	ns
B1b	EXTCLK to CLKOUT phase skew (EXTCLK > 10 MHz and MF < 10)	-2.30	2.30	-2.30	2.30	-2.30	2.30	-2.30	2.30	ns
B1c	CLKOUT phase jitter (EXTCLK > 15 MHz and MF <= 2) <sup>1</sup>	-0.60	0.60	-0.60	0.60	-0.60	0.60	-0.60	0.60	ns
B1d	CLKOUT phase jitter <sup>1</sup>	-2.00	2.00	-2.00	2.00	-2.00	2.00	-2.00	2.00	ns
B1e	CLKOUT frequency jitter (MF < 10) <sup>1</sup>	—	0.50	—	0.50	—	0.50	—	0.50	%
B1f	CLKOUT frequency jitter (10 < MF < 500) <sup>1</sup>	—	2.00	—	2.00	—	2.00	—	2.00	%
B1g	CLKOUT frequency jitter (MF > 500) <sup>1</sup>	—	3.00	—	3.00	—	3.00	—	3.00	%
B1h	Frequency jitter on EXTCLK <sup>2</sup>	—	0.50	—	0.50	—	0.50	—	0.50	%
B2	CLKOUT pulse width low	12.12	—	10.00	—	8.00	—	6.06	—	ns
B3	CLKOUT width high	12.12	—	10.00	—	8.00	—	6.06	—	ns
B4	CLKOUT rise time <sup>3</sup>	—	4.00	—	4.00	—	4.00	—	4.00	ns
B5 <sup>33</sup>	CLKOUT fall time <sup>3</sup>	—	4.00	—	4.00	—	4.00	—	4.00	ns
B7	CLKOUT to A(0:31), BADDR(28:30), RD/WR, BURST, D(0:31), DP(0:3) invalid	7.58	—	6.25	—	5.00	—	3.80	—	ns
B7a	CLKOUT to TSIZ(0:1), REG, RSV, AT(0:3), BDIP, PTR invalid	7.58	—	6.25	—	5.00	—	3.80	—	ns
B7b	CLKOUT to BR, BG, FRZ, VFLS(0:1), VF(0:2) IWP(0:2), LWP(0:1), STS invalid <sup>4</sup>	7.58	—	6.25	—	5.00	—	3.80	—	ns
B8	CLKOUT to A(0:31), BADDR(28:30) RD/WR, BURST, D(0:31), DP(0:3) valid	7.58	14.33	6.25	13.00	5.00	11.75	3.80	10.04	ns
B8a	CLKOUT to TSIZ(0:1), REG, RSV, AT(0:3) BDIP, PTR valid	7.58	14.33	6.25	13.00	5.00	11.75	3.80	10.04	ns
B8b	CLKOUT to BR, BG, VFLS(0:1), VF(0:2), IWP(0:2), FRZ, LWP(0:1), STS valid <sup>4</sup>	7.58	14.33	6.25	13.00	5.00	11.75	3.80	10.04	ns

## Bus Signal Timing

**Table 6. Bus Operation Timings (continued)**

Num	Characteristic	33 MHz		40 MHz		50 MHz		66 MHz		Unit
		Min	Max	Min	Max	Min	Max	Min	Max	
B9	CLKOUT to A(0:31), BADDR(28:30), RD/WR, BURST, D(0:31), DP(0:3), TSIZ(0:1), REG, RSV, AT(0:3), PTR High-Z	7.58	14.33	6.25	13.00	5.00	11.75	3.80	10.04	ns
B11	CLKOUT to $\overline{TS}$ , $\overline{BB}$ assertion	7.58	13.58	6.25	12.25	5.00	11.00	3.80	11.29	ns
B11a	CLKOUT to $\overline{TA}$ , $\overline{BI}$ assertion (when driven by the memory controller or PCMCIA interface)	2.50	9.25	2.50	9.25	2.50	9.25	2.50	9.75	ns
B12	CLKOUT to $\overline{TS}$ , $\overline{BB}$ negation	7.58	14.33	6.25	13.00	5.00	11.75	3.80	8.54	ns
B12a	CLKOUT to $\overline{TA}$ , $\overline{BI}$ negation (when driven by the memory controller or PCMCIA interface)	2.50	11.00	2.50	11.00	2.50	11.00	2.50	9.00	ns
B13	CLKOUT to $\overline{TS}$ , $\overline{BB}$ High-Z	7.58	21.58	6.25	20.25	5.00	19.00	3.80	14.04	ns
B13a	CLKOUT to $\overline{TA}$ , $\overline{BI}$ High-Z (when driven by the memory controller or PCMCIA interface)	2.50	15.00	2.50	15.00	2.50	15.00	2.50	15.00	ns
B14	CLKOUT to $\overline{TEA}$ assertion	2.50	10.00	2.50	10.00	2.50	10.00	2.50	9.00	ns
B15	CLKOUT to $\overline{TEA}$ High-Z	2.50	15.00	2.50	15.00	2.50	15.00	2.50	15.00	ns
B16	$\overline{TA}$ , $\overline{BI}$ valid to CLKOUT (setup time)	9.75	—	9.75	—	9.75	—	6.00	—	ns
B16a	$\overline{TEA}$ , $\overline{KR}$ , $\overline{RETRY}$ , $\overline{CR}$ valid to CLKOUT (setup time)	10.00	—	10.00	—	10.00	—	4.50	—	ns
B16b	$\overline{BB}$ , $\overline{BG}$ , $\overline{BR}$ , valid to CLKOUT (setup time) <sup>5</sup>	8.50	—	8.50	—	8.50	—	4.00	—	ns
B17	CLKOUT to $\overline{TA}$ , $\overline{TEA}$ , $\overline{BI}$ , $\overline{BB}$ , $\overline{BG}$ , $\overline{BR}$ valid (hold time)	1.00	—	1.00	—	1.00	—	2.00	—	ns
B17a	CLKOUT to $\overline{KR}$ , $\overline{RETRY}$ , $\overline{CR}$ valid (hold time)	2.00	—	2.00	—	2.00	—	2.00	—	ns
B18	D(0:31), DP(0:3) valid to CLKOUT rising edge (setup time) <sup>6</sup>	6.00	—	6.00	—	6.00	—	6.00	—	ns
B19	CLKOUT rising edge to D(0:31), DP(0:3) valid (hold time) <sup>6</sup>	1.00	—	1.00	—	1.00	—	2.00	—	ns
B20	D(0:31), DP(0:3) valid to CLKOUT falling edge (setup time) <sup>7</sup>	4.00	—	4.00	—	4.00	—	4.00	—	ns
B21	CLKOUT falling edge to D(0:31), DP(0:3) valid (hold time) <sup>7</sup>	2.00	—	2.00	—	2.00	—	2.00	—	ns
B22	CLKOUT rising edge to $\overline{CS}$ asserted GPCM ACS = 00	7.58	14.33	6.25	13.00	5.00	11.75	3.80	10.04	ns
B22a	CLKOUT falling edge to $\overline{CS}$ asserted GPCM ACS = 10, TRLX = 0	—	8.00	—	8.00	—	8.00	—	8.00	ns

Table 6. Bus Operation Timings (continued)

Num	Characteristic	33 MHz		40 MHz		50 MHz		66 MHz		Unit
		Min	Max	Min	Max	Min	Max	Min	Max	
B22b	CLKOUT falling edge to $\overline{CS}$ asserted GPCM ACS = 11, TRLX = 0, EBDF = 0	7.58	14.33	6.25	13.00	5.00	11.75	3.80	10.54	ns
B22c	CLKOUT falling edge to $\overline{CS}$ asserted GPCM ACS = 11, TRLX = 0, EBDF = 1	10.86	17.99	8.88	16.00	7.00	14.13	5.18	12.31	ns
B23	CLKOUT rising edge to $\overline{CS}$ negated GPCM read access, GPCM write access ACS = 00, TRLX = 0, and CSNT = 0	2.00	8.00	2.00	8.00	2.00	8.00	2.00	8.00	ns
B24	A(0:31) and BADDR(28:30) to $\overline{CS}$ asserted GPCM ACS = 10, TRLX = 0	5.58	—	4.25	—	3.00	—	1.79	—	ns
B24a	A(0:31) and BADDR(28:30) to $\overline{CS}$ asserted GPCM ACS = 11, TRLX = 0	13.15	—	10.50	—	8.00	—	5.58	—	ns
B25	CLKOUT rising edge to $\overline{OE}$ , $\overline{WE}(0:3)$ asserted	—	9.00	—	9.00	—	9.00	—	9.00	ns
B26	CLKOUT rising edge to $\overline{OE}$ negated	2.00	9.00	2.00	9.00	2.00	9.00	2.00	9.00	ns
B27	A(0:31) and BADDR(28:30) to $\overline{CS}$ asserted GPCM ACS = 10, TRLX = 1	35.88	—	29.25	—	23.00	—	16.94	—	ns
B27a	A(0:31) and BADDR(28:30) to $\overline{CS}$ asserted GPCM ACS = 11, TRLX = 1	43.45	—	35.50	—	28.00	—	20.73	—	ns
B28	CLKOUT rising edge to $\overline{WE}(0:3)$ negated GPCM write access CSNT = 0	—	9.00	—	9.00	—	9.00	—	9.00	ns
B28a	CLKOUT falling edge to $\overline{WE}(0:3)$ negated GPCM write access TRLX = 0, 1, CSNT = 1, EBDF = 0	7.58	14.33	6.25	13.00	5.00	11.75	3.80	10.54	ns
B28b	CLKOUT falling edge to $\overline{CS}$ negated GPCM write access TRLX = 0, 1, CSNT = 1, ACS = 10, or ACS = 11, EBDF = 0	—	14.33	—	13.00	—	11.75	—	10.54	ns
B28c	CLKOUT falling edge to $\overline{WE}(0:3)$ negated GPCM write access TRLX = 0, 1, CSNT = 1 write access TRLX = 0, CSNT = 1, EBDF = 1	10.86	17.99	8.88	16.00	7.00	14.13	5.18	12.31	ns
B28d	CLKOUT falling edge to $\overline{CS}$ negated GPCM write access TRLX = 0, 1, CSNT = 1, ACS = 10, or ACS = 11, EBDF = 1	—	17.99	—	16.00	—	14.13	—	12.31	ns
B29	$\overline{WE}(0:3)$ negated to D(0:31), DP(0:3) High-Z GPCM write access CSNT = 0, EBDF = 0	5.58	—	4.25	—	3.00	—	1.79	—	ns

## Bus Signal Timing

**Table 6. Bus Operation Timings (continued)**

Num	Characteristic	33 MHz		40 MHz		50 MHz		66 MHz		Unit
		Min	Max	Min	Max	Min	Max	Min	Max	
B29a	$\overline{WE}(0:3)$ negated to D(0:31), DP(0:3) High-Z GPCM write access, TRLX = 0, CSNT = 1, EBDF = 0	13.15	—	10.5	—	8.00	—	5.58	—	ns
B29b	$\overline{CS}$ negated to D(0:31), DP(0:3), High-Z GPCM write access, ACS = 00, TRLX = 0, 1, and CSNT = 0	5.58	—	4.25	—	3.00	—	1.79	—	ns
B29c	$\overline{CS}$ negated to D(0:31), DP(0:3) High-Z GPCM write access, TRLX = 0, CSNT = 1, ACS = 10, or ACS = 11, EBDF = 0	13.15	—	10.5	—	8.00	—	5.58	—	ns
B29d	$\overline{WE}(0:3)$ negated to D(0:31), DP(0:3) High-Z GPCM write access, TRLX = 1, CSNT = 1, EBDF = 0	43.45	—	35.5	—	28.00	—	20.73	—	ns
B29e	$\overline{CS}$ negated to D(0:31), DP(0:3) High-Z GPCM write access, TRLX = 1, CSNT = 1, ACS = 10, or ACS = 11, EBDF = 0	43.45	—	35.5	—	28.00	—	29.73	—	ns
B29f	$\overline{WE}(0:3)$ negated to D(0:31), DP(0:3) High-Z GPCM write access, TRLX = 0, CSNT = 1, EBDF = 1	8.86	—	6.88	—	5.00	—	3.18	—	ns
B29g	$\overline{CS}$ negated to D(0:31), DP(0:3) High-Z GPCM write access, TRLX = 0, CSNT = 1, ACS = 10, or ACS = 11, EBDF = 1	8.86	—	6.88	—	5.00	—	3.18	—	ns
B29h	$\overline{WE}(0:3)$ negated to D(0:31), DP(0:3) High-Z GPCM write access, TRLX = 1, CSNT = 1, EBDF = 1	38.67	—	31.38	—	24.50	—	17.83	—	ns
B29i	$\overline{CS}$ negated to D(0:31), DP(0:3) High-Z GPCM write access, TRLX = 1, CSNT = 1, ACS = 10, or ACS = 11, EBDF = 1	38.67	—	31.38	—	24.50	—	17.83	—	ns
B30	$\overline{CS}$ , $\overline{WE}(0:3)$ negated to A(0:31), BADDR(28:30) invalid GPCM write access <sup>8</sup>	5.58	—	4.25	—	3.00	—	1.79	—	ns
B30a	$\overline{WE}(0:3)$ negated to A(0:31), BADDR(28:30) invalid GPCM, write access, TRLX = 0, CSNT = 1, $\overline{CS}$ negated to A(0:31) invalid GPCM write access, TRLX = 0, CSNT = 1 ACS = 10, or ACS = 11, EBDF = 0	13.15	—	10.50	—	8.00	—	5.58	—	ns



Table 6. Bus Operation Timings (continued)

Num	Characteristic	33 MHz		40 MHz		50 MHz		66 MHz		Unit
		Min	Max	Min	Max	Min	Max	Min	Max	
B30b	$\overline{WE}(0:3)$ negated to A(0:31), invalid GPCM BADDR(28:30) invalid GPCM write access, TRLX = 1, CSNT = 1, $\overline{CS}$ negated to A(0:31), Invalid GPCM, write access, TRLX = 1, CSNT = 1, ACS = 10, or ACS = 11, EBDF = 0	43.45	—	35.50	—	28.00	—	20.73	—	ns
B30c	$\overline{WE}(0:3)$ negated to A(0:31), BADDR(28:30) invalid GPCM write access, TRLX = 0, CSNT = 1. $\overline{CS}$ negated to A(0:31) invalid GPCM write access, TRLX = 0, CSNT = 1, ACS = 10, ACS = 11, EBDF = 1	8.36	—	6.38	—	4.50	—	2.68	—	ns
B30d	$\overline{WE}(0:3)$ negated to A(0:31), BADDR(28:30) invalid GPCM write access, TRLX = 1, CSNT = 1. $\overline{CS}$ negated to A(0:31) invalid GPCM write access TRLX = 1, CSNT = 1, ACS = 10, or ACS = 11, EBDF = 1	38.67	—	31.38	—	24.50	—	17.83	—	ns
B31	CLKOUT falling edge to $\overline{CS}$ valid—as requested by control bit CST4 in the corresponding word in UPM	1.50	6.00	1.50	6.00	1.50	6.00	1.50	6.00	ns
B31a	CLKOUT falling edge to $\overline{CS}$ valid—as requested by control bit CST1 in the corresponding word in UPM	7.58	14.33	6.25	13.00	5.00	11.75	3.80	10.54	ns
B31b	CLKOUT rising edge to $\overline{CS}$ valid—as requested by control bit CST2 in the corresponding word in UPM	1.50	8.00	1.50	8.00	1.50	8.00	1.50	8.00	ns
B31c	CLKOUT rising edge to $\overline{CS}$ valid—as requested by control bit CST3 in the corresponding word in UPM	7.58	14.33	6.25	13.00	5.00	11.75	3.80	10.04	ns
B31d	CLKOUT falling edge to $\overline{CS}$ valid—as requested by control bit CST1 in the corresponding word in UPM, EBDF = 1	13.26	17.99	11.28	16.00	9.40	14.13	7.58	12.31	ns
B32	CLKOUT falling edge to $\overline{BS}$ valid—as requested by control bit BST4 in the corresponding word in UPM	1.50	6.00	1.50	6.00	1.50	6.00	1.50	6.00	ns
B32a	CLKOUT falling edge to $\overline{BS}$ valid—as requested by control bit BST1 in the corresponding word in UPM, EBDF = 0	7.58	14.33	6.25	13.00	5.00	11.75	3.80	10.54	ns

## Bus Signal Timing

**Table 6. Bus Operation Timings (continued)**

Num	Characteristic	33 MHz		40 MHz		50 MHz		66 MHz		Unit
		Min	Max	Min	Max	Min	Max	Min	Max	
B32b	CLKOUT rising edge to $\overline{BS}$ valid—as requested by control bit BST2 in the corresponding word in UPM	1.50	8.00	1.50	8.00	1.50	8.00	1.50	8.00	ns
B32c	CLKOUT rising edge to $\overline{BS}$ valid—as requested by control bit BST3 in the corresponding word in UPM	7.58	14.33	6.25	13.00	5.00	11.75	3.80	10.54	ns
B32d	CLKOUT falling edge to $\overline{BS}$ valid—as requested by control bit BST1 in the corresponding word in UPM, EBDF = 1	13.26	17.99	11.28	16.00	9.40	14.13	7.58	12.31	ns
B33	CLKOUT falling edge to $\overline{GPL}$ valid—as requested by control bit GxT4 in the corresponding word in UPM	1.50	6.00	1.50	6.00	1.50	6.00	1.50	6.00	ns
B33a	CLKOUT rising edge to $\overline{GPL}$ valid—as requested by control bit GxT3 in the corresponding word in UPM	7.58	14.33	6.25	13.00	5.00	11.75	3.80	10.54	ns
B34	A(0:31), BADDR(28:30), and D(0:31) to $\overline{CS}$ valid—as requested by control bit CST4 in the corresponding word in UPM	5.58	—	4.25	—	3.00	—	1.79	—	ns
B34a	A(0:31), BADDR(28:30), and D(0:31) to $\overline{CS}$ valid—as requested by control bit CST1 in the corresponding word in UPM	13.15	—	10.50	—	8.00	—	5.58	—	ns
B34b	A(0:31), BADDR(28:30), and D(0:31) to $\overline{CS}$ valid—as requested by control bit CST2 in the corresponding word in UPM	20.73	—	16.75	—	13.00	—	9.36	—	ns
B35	A(0:31), BADDR(28:30) to $\overline{CS}$ valid—as requested by control bit BST4 in the corresponding word in UPM	5.58	—	4.25	—	3.00	—	1.79	—	ns
B35a	A(0:31), BADDR(28:30), and D(0:31) to $\overline{BS}$ valid—as requested by control bit BST1 in the corresponding word in UPM	13.15	—	10.50	—	8.00	—	5.58	—	ns
B35b	A(0:31), BADDR(28:30), and D(0:31) to $\overline{BS}$ valid—as requested by control bit BST2 in the corresponding word in UPM	20.73	—	16.75	—	13.00	—	9.36	—	ns

Table 6. Bus Operation Timings (continued)

Num	Characteristic	33 MHz		40 MHz		50 MHz		66 MHz		Unit
		Min	Max	Min	Max	Min	Max	Min	Max	
B36	A(0:31), BADDR(28:30), and D(0:31) to $\overline{GPL}$ valid—as requested by control bit GxT4 in the corresponding word in UPM	5.58	—	4.25	—	3.00	—	1.79	—	ns
B37	UPWAIT valid to CLKOUT falling edge <sup>9</sup>	6.00	—	6.00	—	6.00	—	6.00	—	ns
B38	CLKOUT falling edge to UPWAIT valid <sup>9</sup>	1.00	—	1.00	—	1.00	—	1.00	—	ns
B39	$\overline{AS}$ valid to CLKOUT rising edge <sup>10</sup>	7.00	—	7.00	—	7.00	—	7.00	—	ns
B40	A(0:31), TSIZ(0:1), RD/ $\overline{WR}$ , $\overline{BURST}$ , valid to CLKOUT rising edge	7.00	—	7.00	—	7.00	—	7.00	—	ns
B41	$\overline{TS}$ valid to CLKOUT rising edge (setup time)	7.00	—	7.00	—	7.00	—	7.00	—	ns
B42	CLKOUT rising edge to $\overline{TS}$ valid (hold time)	2.00	—	2.00	—	2.00	—	2.00	—	ns
B43	$\overline{AS}$ negation to memory controller signals negation	—	TBD	—	TBD	—	TBD	—	TBD	ns

<sup>1</sup> Phase and frequency jitter performance results are only valid if the input jitter is less than the prescribed value.

<sup>2</sup> If the rate of change of the frequency of EXTAL is slow (that is, it does not jump between the minimum and maximum values in one cycle) or the frequency of the jitter is fast (that is, it does not stay at an extreme value for a long time) then the maximum allowed jitter on EXTAL can be up to 2%.

<sup>3</sup> The timings specified in B4 and B5 are based on full strength clock.

<sup>4</sup> The timing for  $\overline{BR}$  output is relevant when the MPC860 is selected to work with external bus arbiter. The timing for  $\overline{BG}$  output is relevant when the MPC860 is selected to work with internal bus arbiter.

<sup>5</sup> The timing required for  $\overline{BR}$  input is relevant when the MPC860 is selected to work with internal bus arbiter. The timing for  $\overline{BG}$  input is relevant when the MPC860 is selected to work with external bus arbiter.

<sup>6</sup> The D(0:31) and DP(0:3) input timings B18 and B19 refer to the rising edge of the CLKOUT in which the  $\overline{TA}$  input signal is asserted.

<sup>7</sup> The D(0:31) and DP(0:3) input timings B20 and B21 refer to the falling edge of the CLKOUT. This timing is valid only for read accesses controlled by chip-selects under control of the UPM in the memory controller, for data beats where DLT3 = 1 in the UPM RAM words. (This is only the case where data is latched on the falling edge of CLKOUT.)

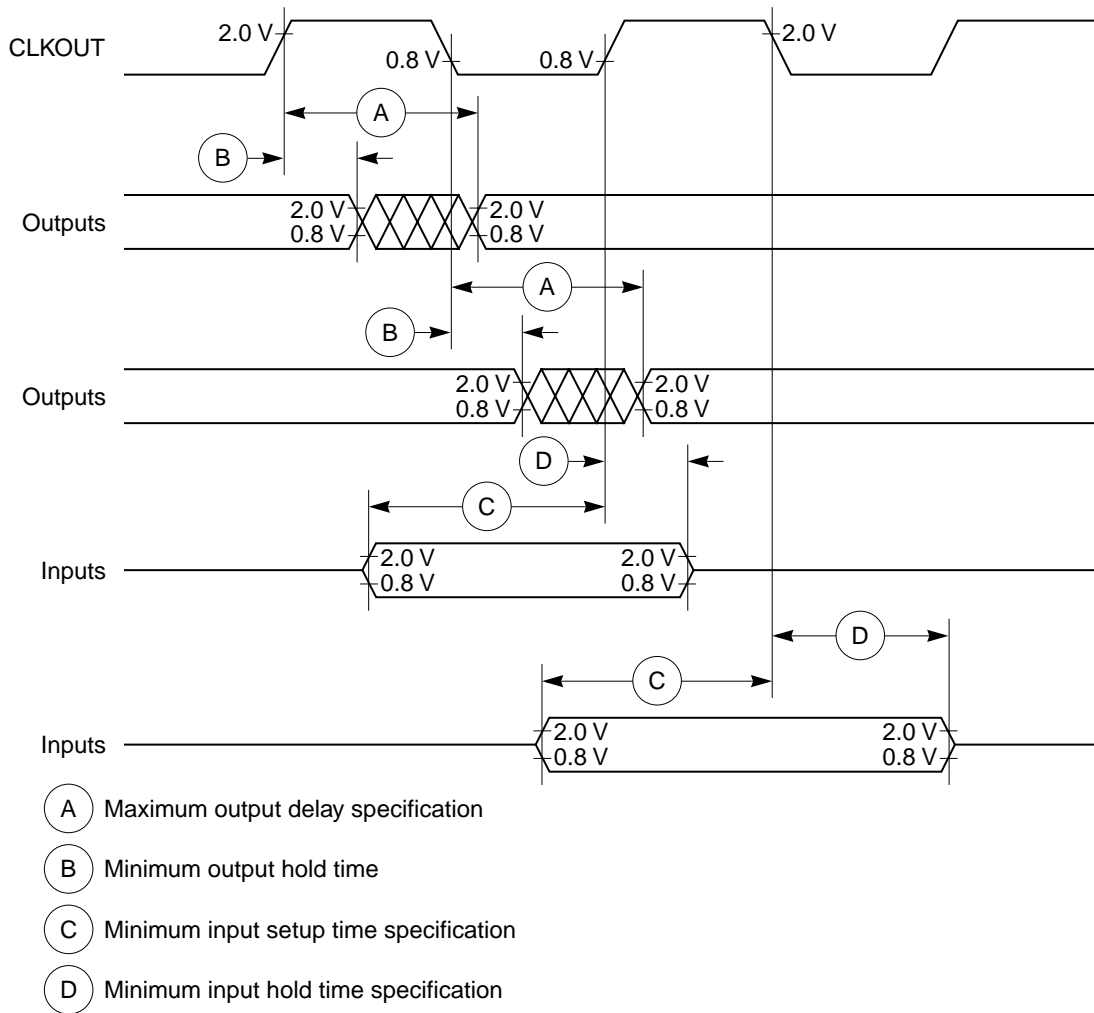
<sup>8</sup> The timing B30 refers to  $\overline{CS}$  when ACS = 00 and to  $\overline{WE}(0:3)$  when CSNT = 0.

<sup>9</sup> The signal UPWAIT is considered asynchronous to the CLKOUT and synchronized internally. The timings specified in B37 and B38 are specified to enable the freeze of the UPM output signals as described in Figure 17.

<sup>10</sup> The  $\overline{AS}$  signal is considered asynchronous to the CLKOUT. The timing B39 is specified in order to allow the behavior specified in Figure 20.

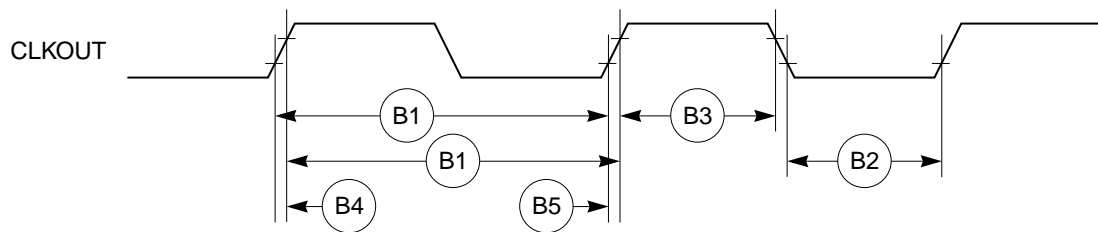
## Bus Signal Timing

Figure 2 is the control timing diagram.



**Figure 2. Control Timing**

Figure 3 provides the timing for the external clock.



**Figure 3. External Clock Timing**

Figure 4 provides the timing for the synchronous output signals.

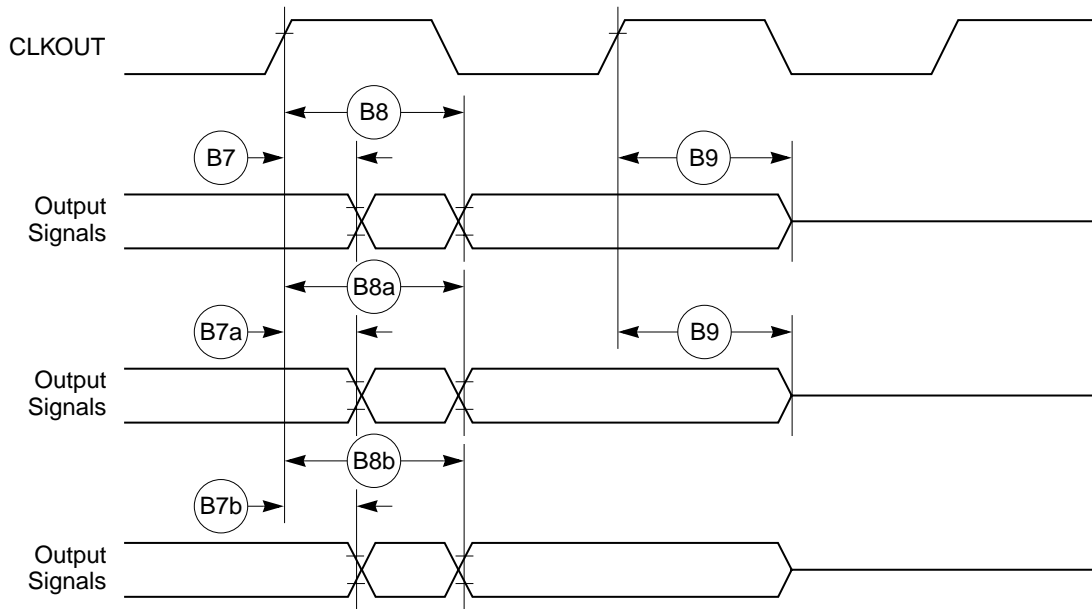


Figure 4. Synchronous Output Signals Timing

Figure 5 provides the timing for the synchronous active pull-up and open-drain output signals.

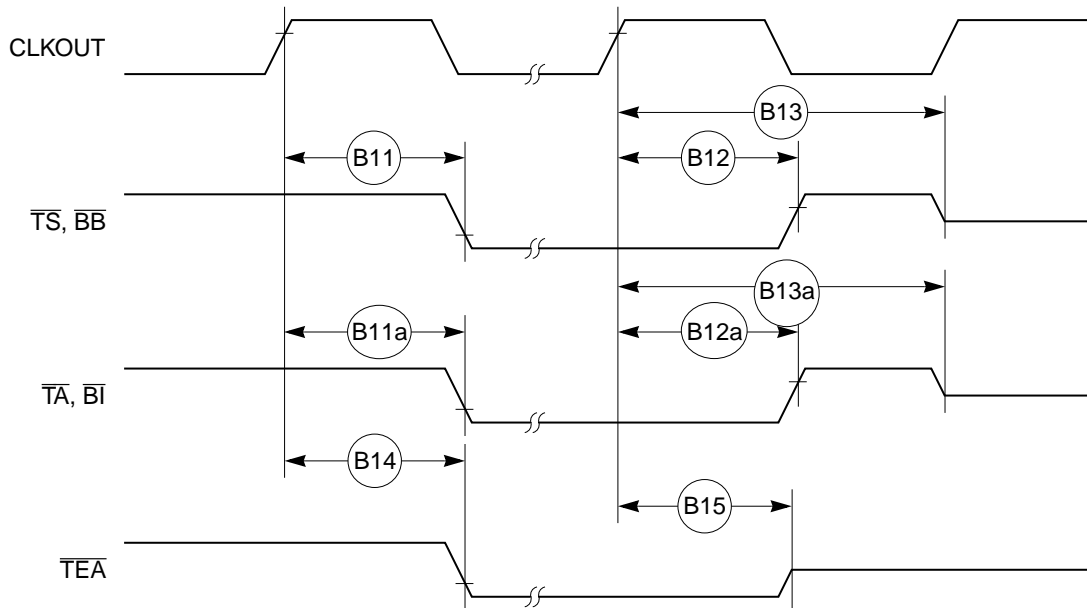
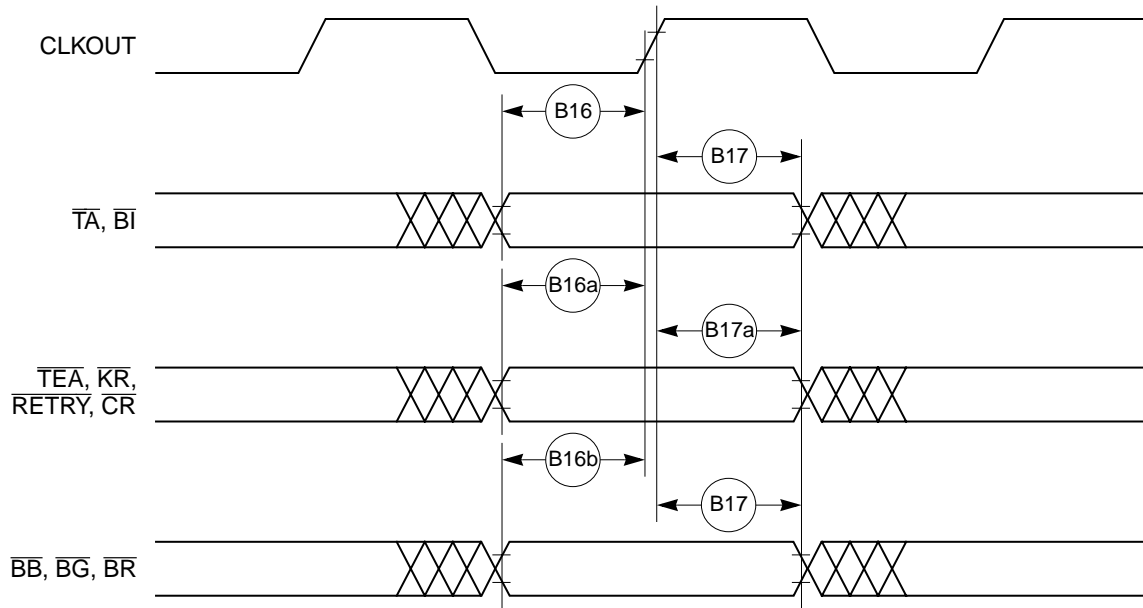


Figure 5. Synchronous Active Pull-Up Resistor and Open-Drain Outputs Signals Timing

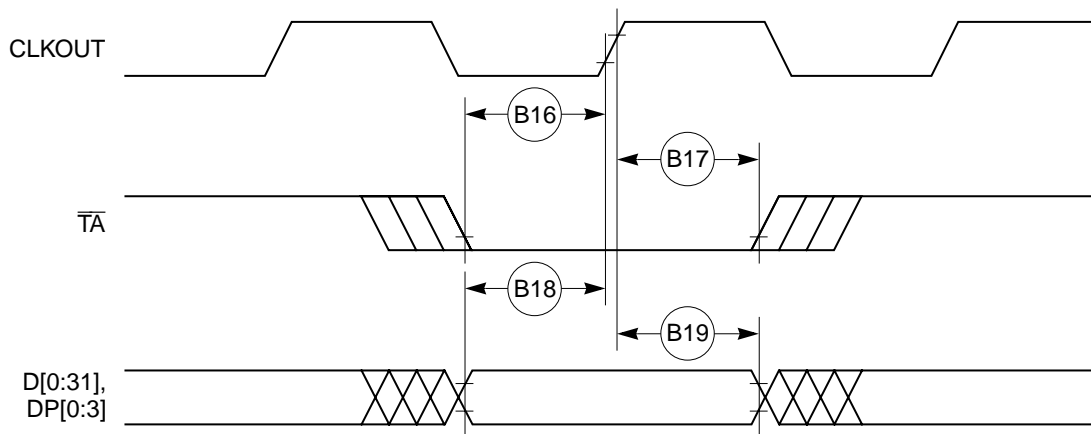
## Bus Signal Timing

Figure 6 provides the timing for the synchronous input signals.



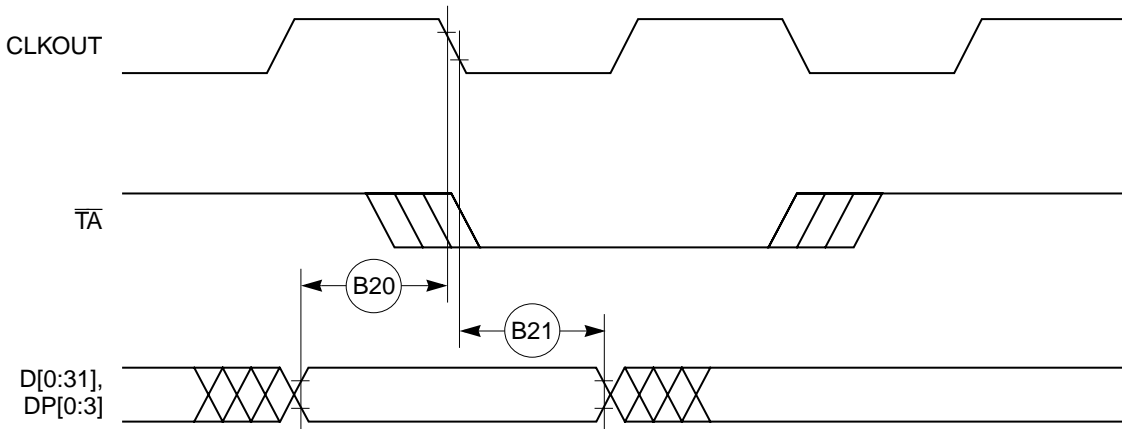
**Figure 6. Synchronous Input Signals Timing**

Figure 7 provides normal case timing for input data. It also applies to normal read accesses under the control of the UPM in the memory controller.



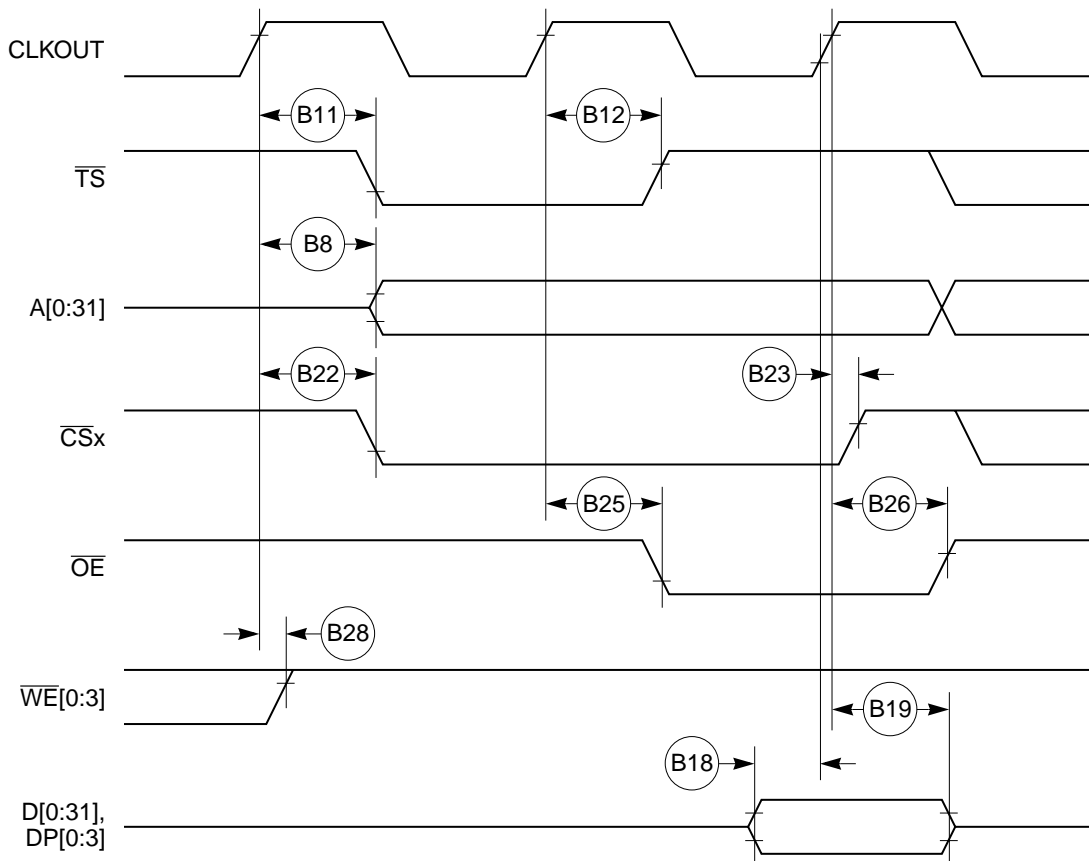
**Figure 7. Input Data Timing in Normal Case**

Figure 8 provides the timing for the input data controlled by the UPM for data beats where  $DLT3 = 1$  in the UPM RAM words. (This is only the case where data is latched on the falling edge of CLKOUT.)



**Figure 8. Input Data Timing when Controlled by UPM in the Memory Controller and  $DLT3 = 1$**

Figure 9 through Figure 12 provide the timing for the external bus read controlled by various GPCM factors.



**Figure 9. External Bus Read Timing (GPCM Controlled— $ACS = 00$ )**

## Bus Signal Timing

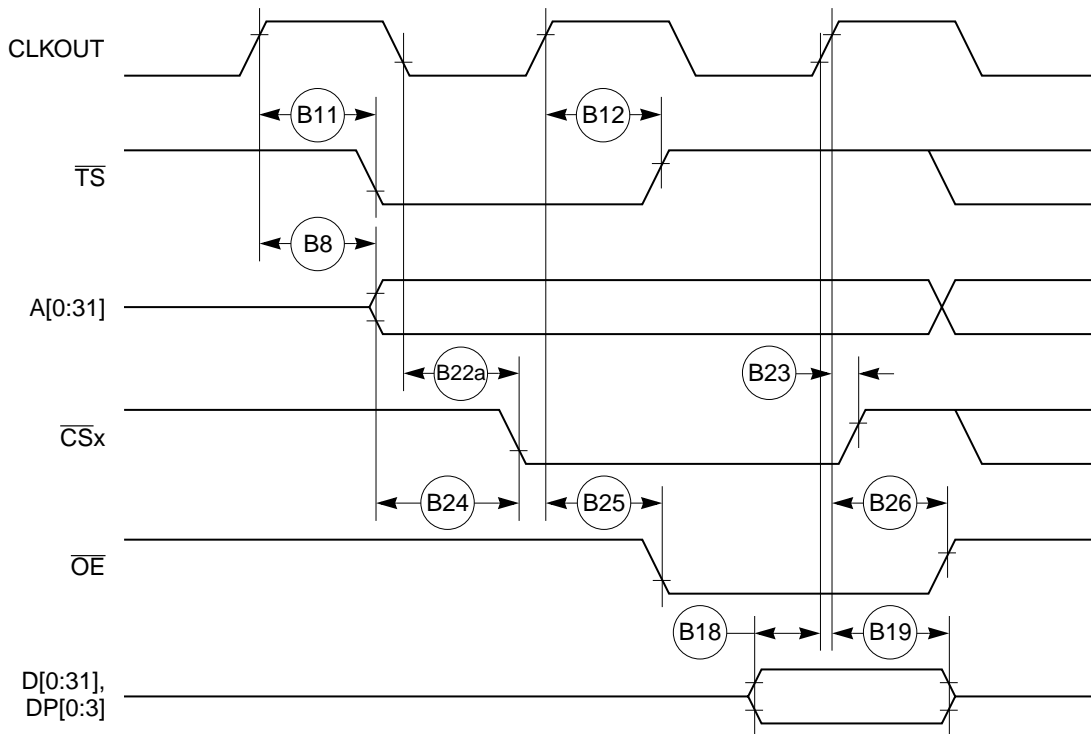


Figure 10. External Bus Read Timing (GPCM Controlled—TRLX = 0, ACS = 10)

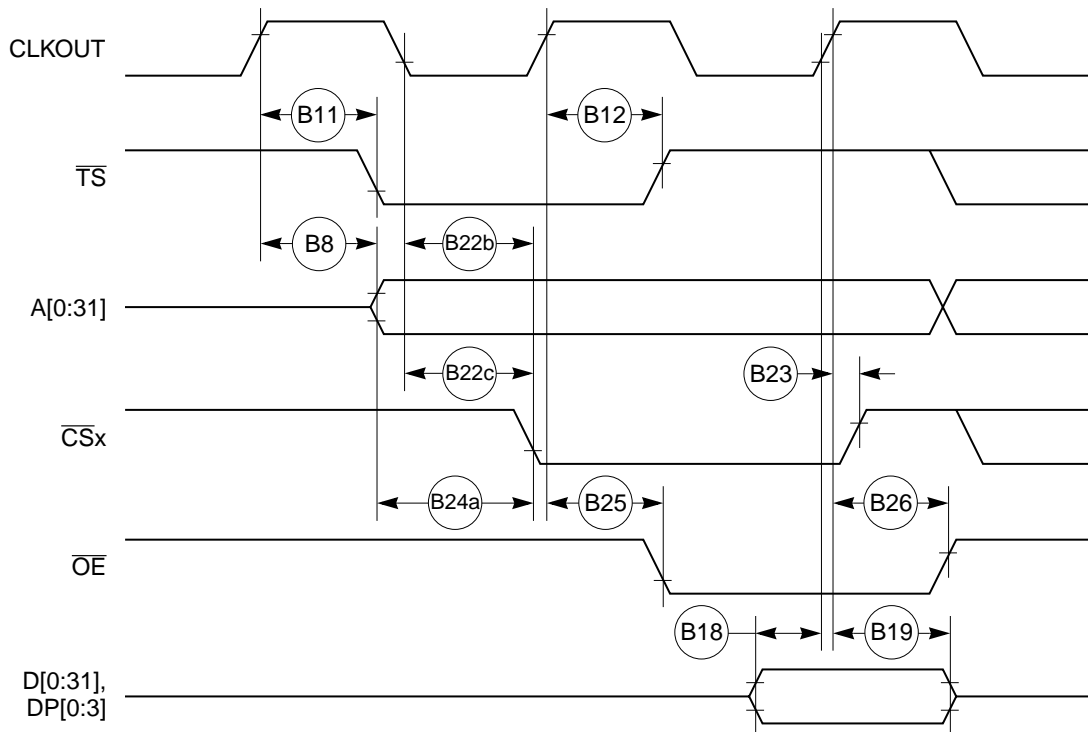


Figure 11. External Bus Read Timing (GPCM Controlled—TRLX = 0, ACS = 11)



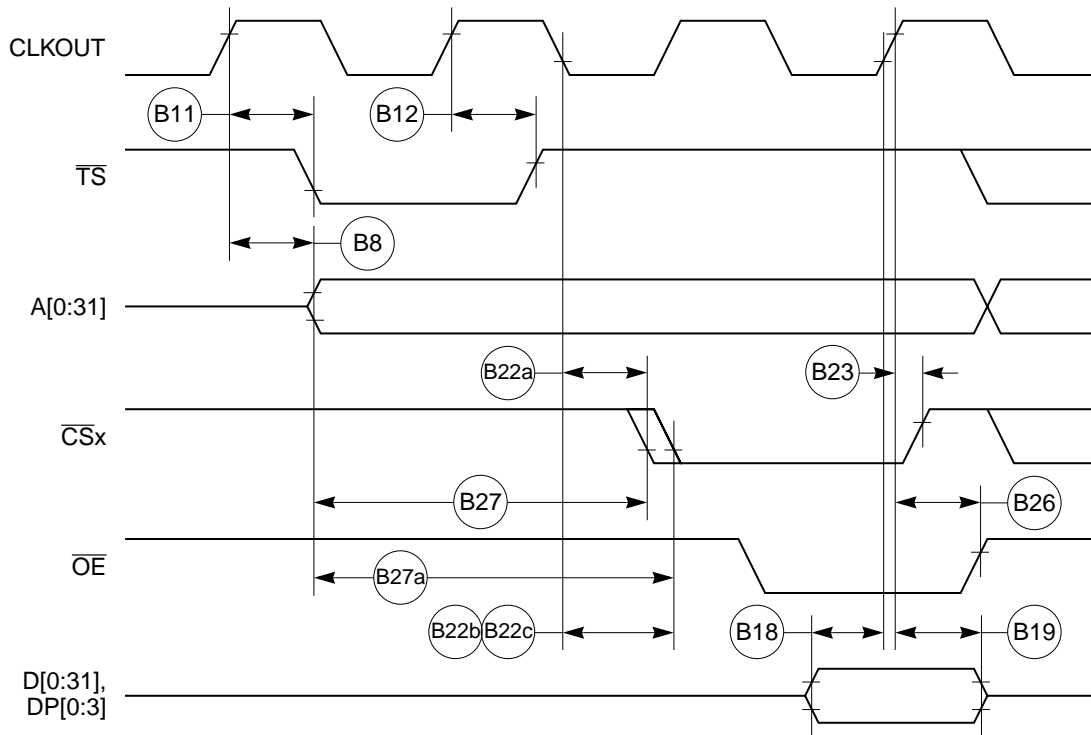
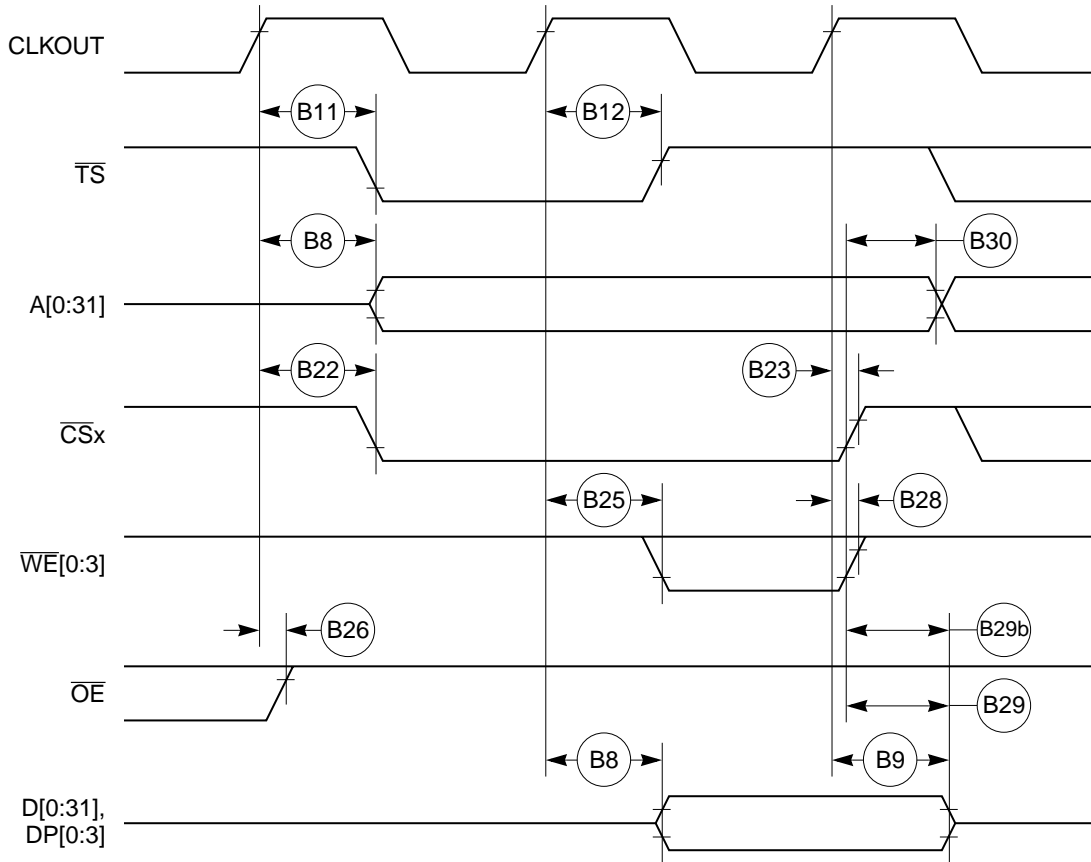


Figure 12. External Bus Read Timing (GPCM Controlled—TRLX = 0 or 1, ACS = 10, ACS = 11)

## Bus Signal Timing

Figure 13 through Figure 15 provide the timing for the external bus write controlled by various GPCM factors.



**Figure 13. External Bus Write Timing (GPCM Controlled—TRLX = 0 or 1, CSNT = 0)**

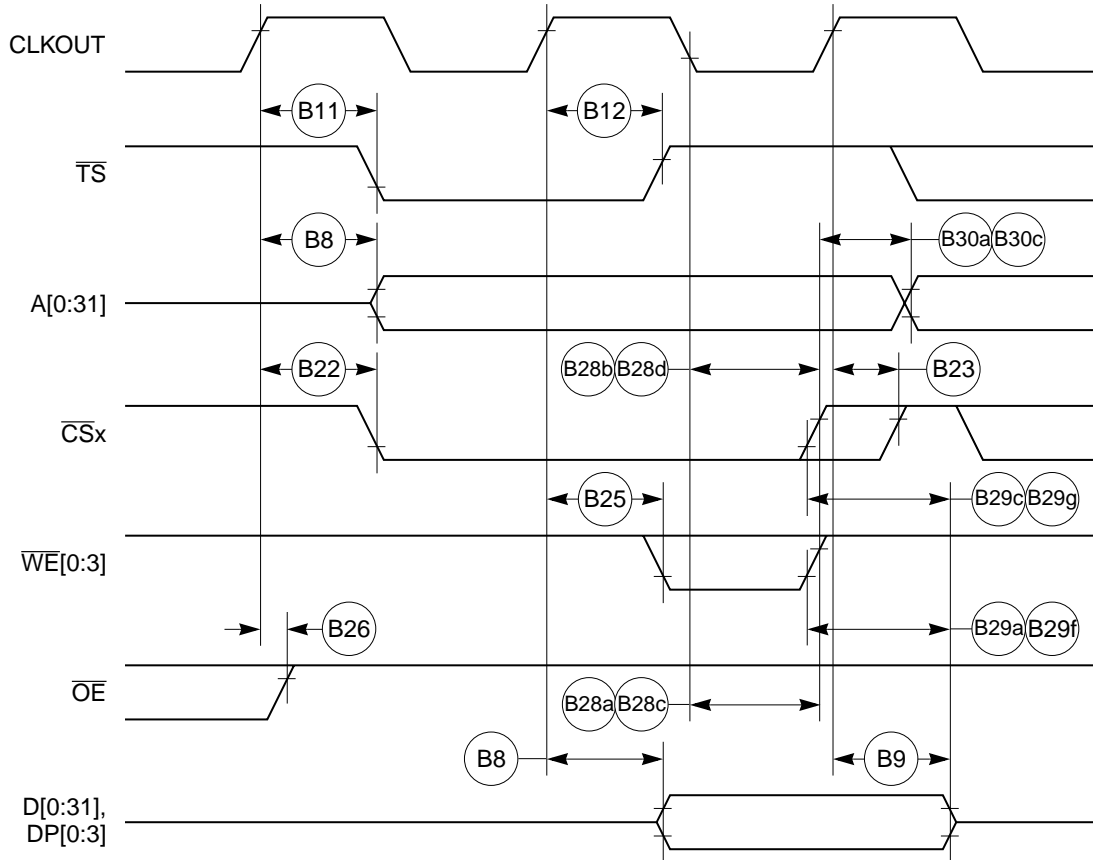


Figure 14. External Bus Write Timing (GPCM Controlled—TRLX = 0 or 1, CSNT = 1)

## Bus Signal Timing

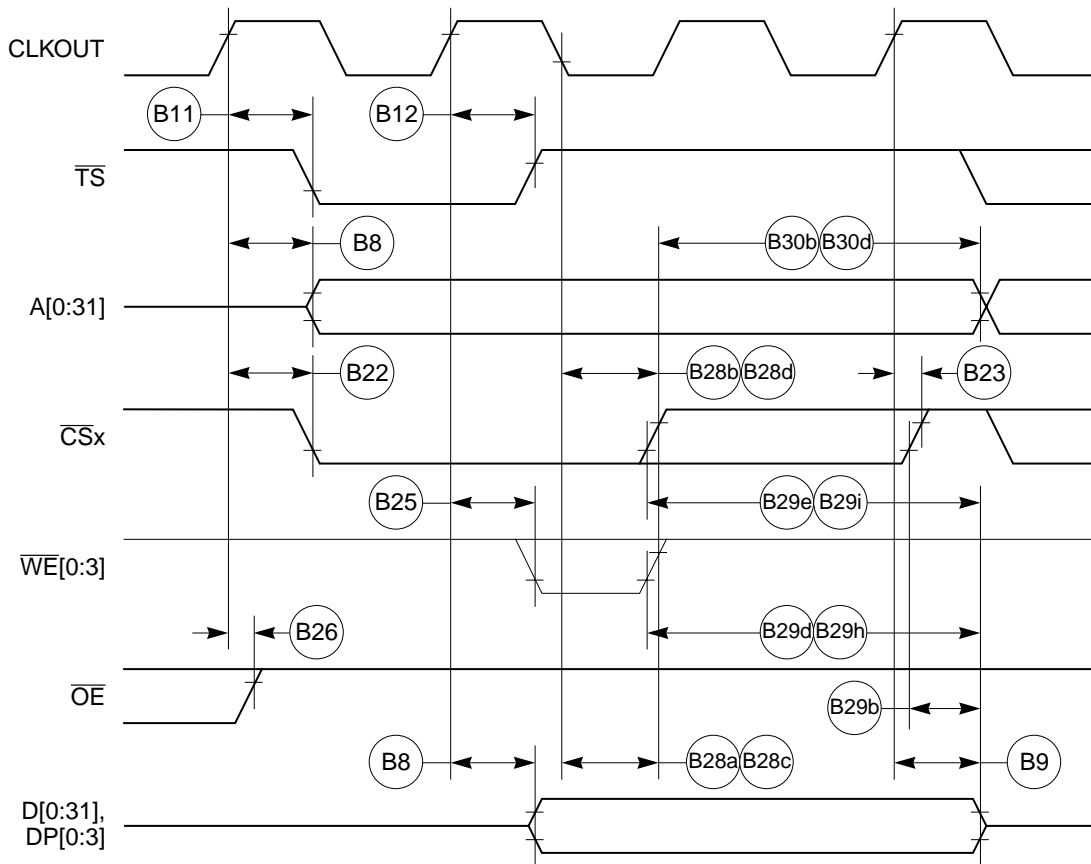


Figure 15. External Bus Write Timing (GPCM Controlled—TRLX = 0 or 1, CSNT = 1)

Figure 16 provides the timing for the external bus controlled by the UPM.

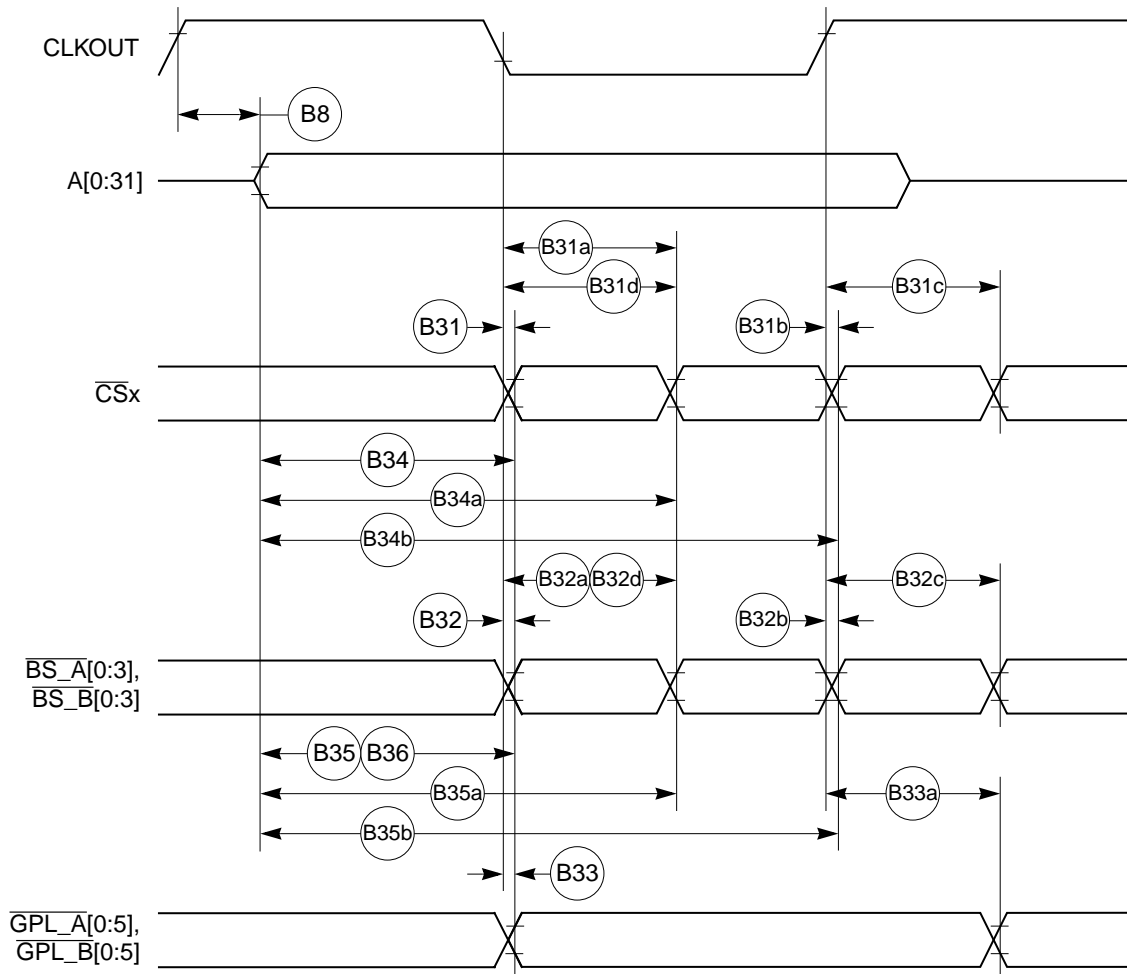
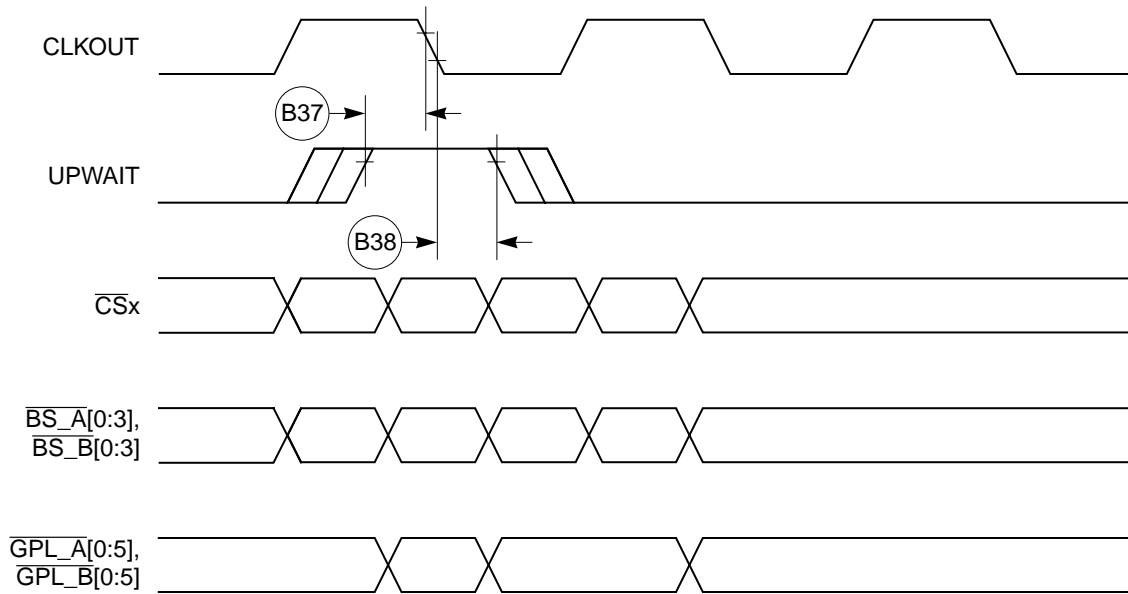


Figure 16. External Bus Timing (UPM Controlled Signals)

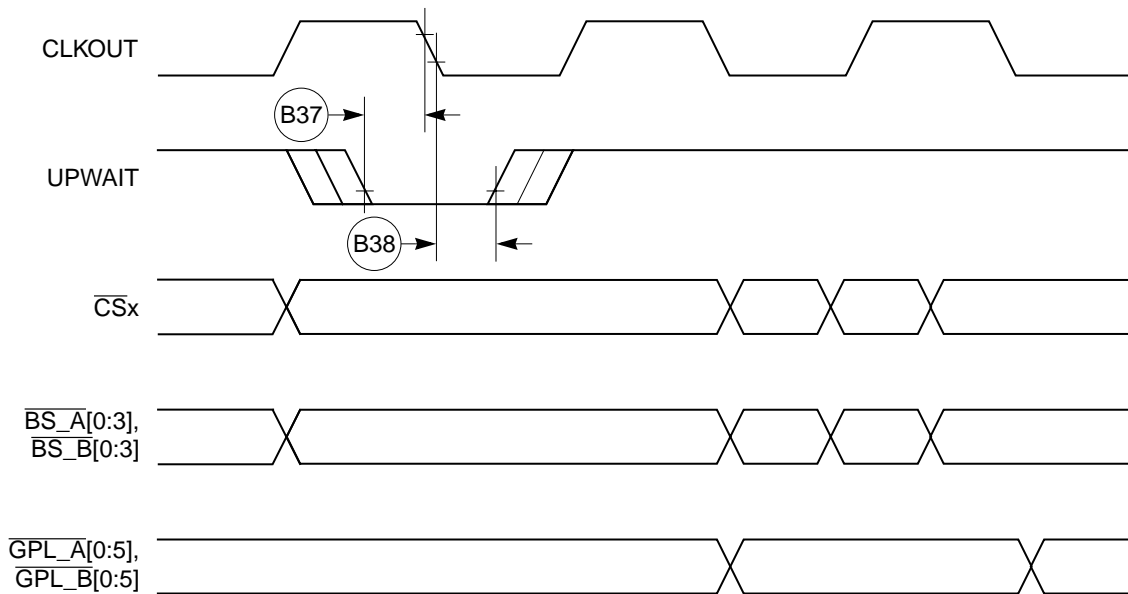
## Bus Signal Timing

Figure 17 provides the timing for the asynchronous asserted UPWAIT signal controlled by the UPM.



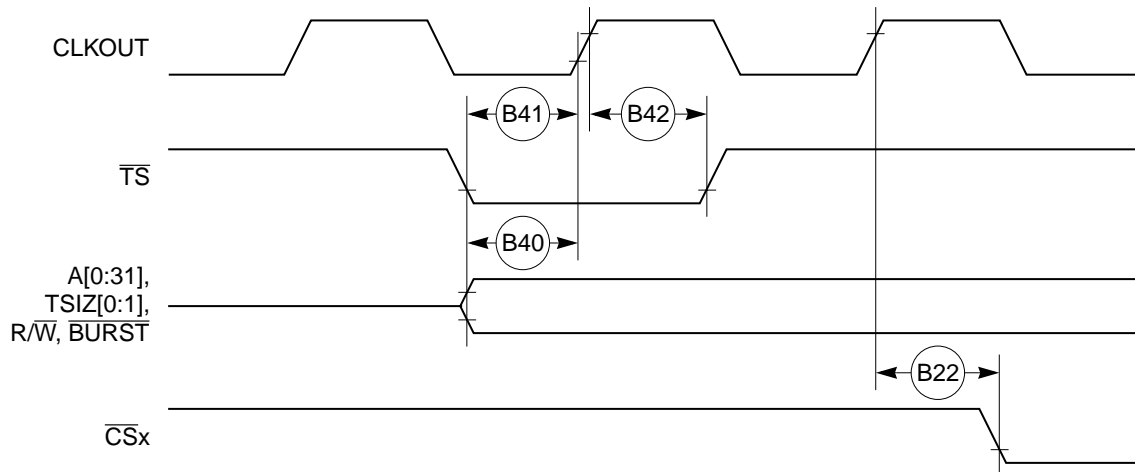
**Figure 17. Asynchronous UPWAIT Asserted Detection in UPM Handled Cycles Timing**

Figure 18 provides the timing for the asynchronous negated UPWAIT signal controlled by the UPM.



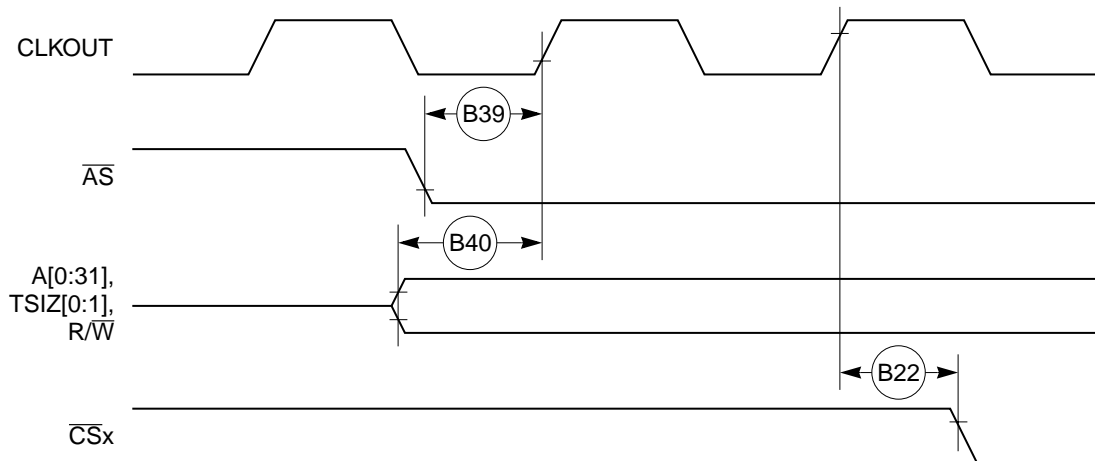
**Figure 18. Asynchronous UPWAIT Negated Detection in UPM Handled Cycles Timing**

Figure 19 provides the timing for the synchronous external master access controlled by the GPCM.



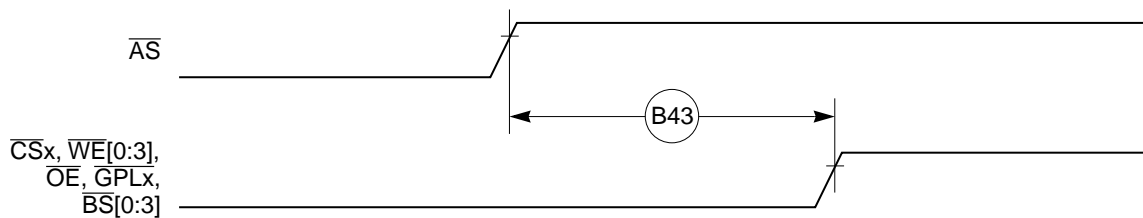
**Figure 19. Synchronous External Master Access Timing (GPCM Handled ACS = 00)**

Figure 20 provides the timing for the asynchronous external master memory access controlled by the GPCM.



**Figure 20. Asynchronous External Master Memory Access Timing (GPCM Controlled—ACS = 00)**

Figure 21 provides the timing for the asynchronous external master control signals negation.



**Figure 21. Asynchronous External Master—Control Signals Negation Timing**

## Bus Signal Timing

Table 7 provides interrupt timing for the MPC860.

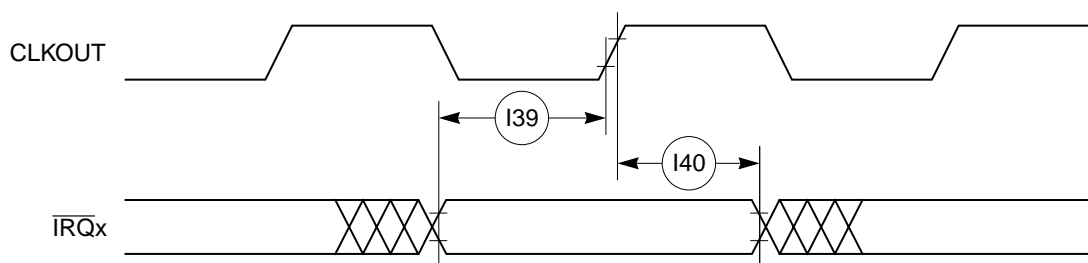
**Table 7. Interrupt Timing**

Num	Characteristic <sup>1</sup>	All Frequencies		Unit
		Min	Max	
I39	$\overline{IRQx}$ valid to CLKOUT rising edge (setup time)	6.00	—	ns
I40	$\overline{IRQx}$ hold time after CLKOUT	2.00	—	ns
I41	$\overline{IRQx}$ pulse width low	3.00	—	ns
I42	$\overline{IRQx}$ pulse width high	3.00	—	ns
I43	$\overline{IRQx}$ edge-to-edge time	$4 \times T_{\text{CLOCKOUT}}$	—	—

<sup>1</sup> The timings I39 and I40 describe the testing conditions under which the  $\overline{IRQ}$  lines are tested when being defined as level-sensitive. The  $\overline{IRQ}$  lines are synchronized internally and do not have to be asserted or negated with reference to the CLKOUT.

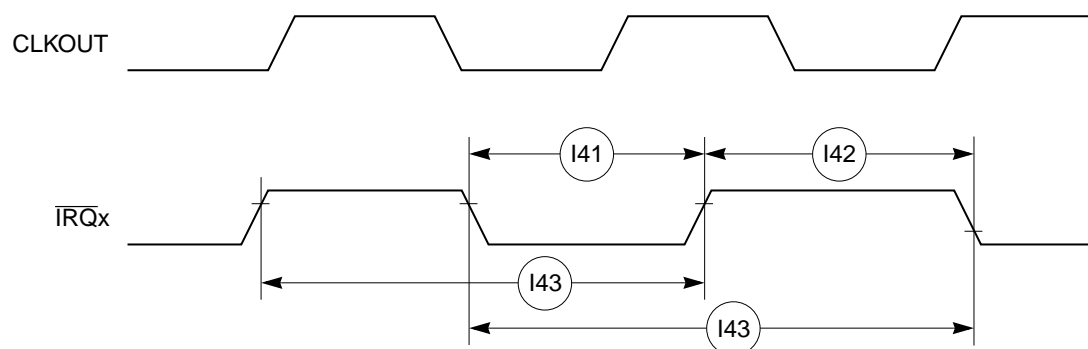
The timings I41, I42, and I43 are specified to allow the correct function of the  $\overline{IRQ}$  lines detection circuitry and have no direct relation with the total system interrupt latency that the MPC860 is able to support.

Figure 22 provides the interrupt detection timing for the external level-sensitive lines.



**Figure 22. Interrupt Detection Timing for External Level Sensitive Lines**

Figure 23 provides the interrupt detection timing for the external edge-sensitive lines.



**Figure 23. Interrupt Detection Timing for External Edge Sensitive Lines**



Table 8 shows the PCMCIA timing for the MPC860.

**Table 8. PCMCIA Timing**

Num	Characteristic	33 MHz		40 MHz		50 MHz		66 MHz		Unit
		Min	Max	Min	Max	Min	Max	Min	Max	
P44	A(0:31), $\overline{REG}$ valid to PCMCIA Strobe asserted <sup>1</sup>	20.73	—	16.75	—	13.00	—	9.36	—	ns
P45	A(0:31), $\overline{REG}$ valid to ALE negation <sup>1</sup>	28.30	—	23.00	—	18.00	—	13.15	—	ns
P46	CLKOUT to $\overline{REG}$ valid	7.58	15.58	6.25	14.25	5.00	13.00	3.79	11.84	ns
P47	CLKOUT to $\overline{REG}$ invalid	8.58	—	7.25	—	6.00	—	4.84	—	ns
P48	CLKOUT to $\overline{CE1}$ , $\overline{CE2}$ asserted	7.58	15.58	6.25	14.25	5.00	13.00	3.79	11.84	ns
P49	CLKOUT to $\overline{CE1}$ , $\overline{CE2}$ negated	7.58	15.58	6.25	14.25	5.00	13.00	3.79	11.84	ns
P50	CLKOUT to $\overline{PCOE}$ , $\overline{IORD}$ , $\overline{PCWE}$ , $\overline{IOWR}$ assert time	—	11.00		11.00	—	11.00	—	11.00	ns
P51	CLKOUT to $\overline{PCOE}$ , $\overline{IORD}$ , $\overline{PCWE}$ , $\overline{IOWR}$ negate time	2.00	11.00	2.00	11.00	2.00	11.00	2.00	11.00	ns
P52	CLKOUT to ALE assert time	7.58	15.58	6.25	14.25	5.00	13.00	3.79	10.04	ns
P53	CLKOUT to ALE negate time	—	15.58		14.25	—	13.00	—	11.84	ns
P54	$\overline{PCWE}$ , $\overline{IOWR}$ negated to D(0:31) invalid <sup>1</sup>	5.58	—	4.25	—	3.00	—	1.79	—	ns
P55	$\overline{WAITA}$ and $\overline{WAITB}$ valid to CLKOUT rising edge <sup>1</sup>	8.00	—	8.00	—	8.00	—	8.00	—	ns
P56	CLKOUT rising edge to $\overline{WAITA}$ and $\overline{WAITB}$ invalid <sup>1</sup>	2.00	—	2.00	—	2.00	—	2.00	—	ns

<sup>1</sup> PSST = 1. Otherwise add PSST times cycle time.  
PSHT = 0. Otherwise add PSHT times cycle time.

These synchronous timings define when the  $\overline{WAITx}$  signals are detected in order to freeze (or relieve) the PCMCIA current cycle. The  $\overline{WAITx}$  assertion will be effective only if it is detected 2 cycles before the PSL timer expiration. See Chapter 16, “PCMCIA Interface,” in the *MPC860 PowerQUICC User’s Manual*.

## Bus Signal Timing

Figure 24 provides the PCMCIA access cycle timing for the external bus read.

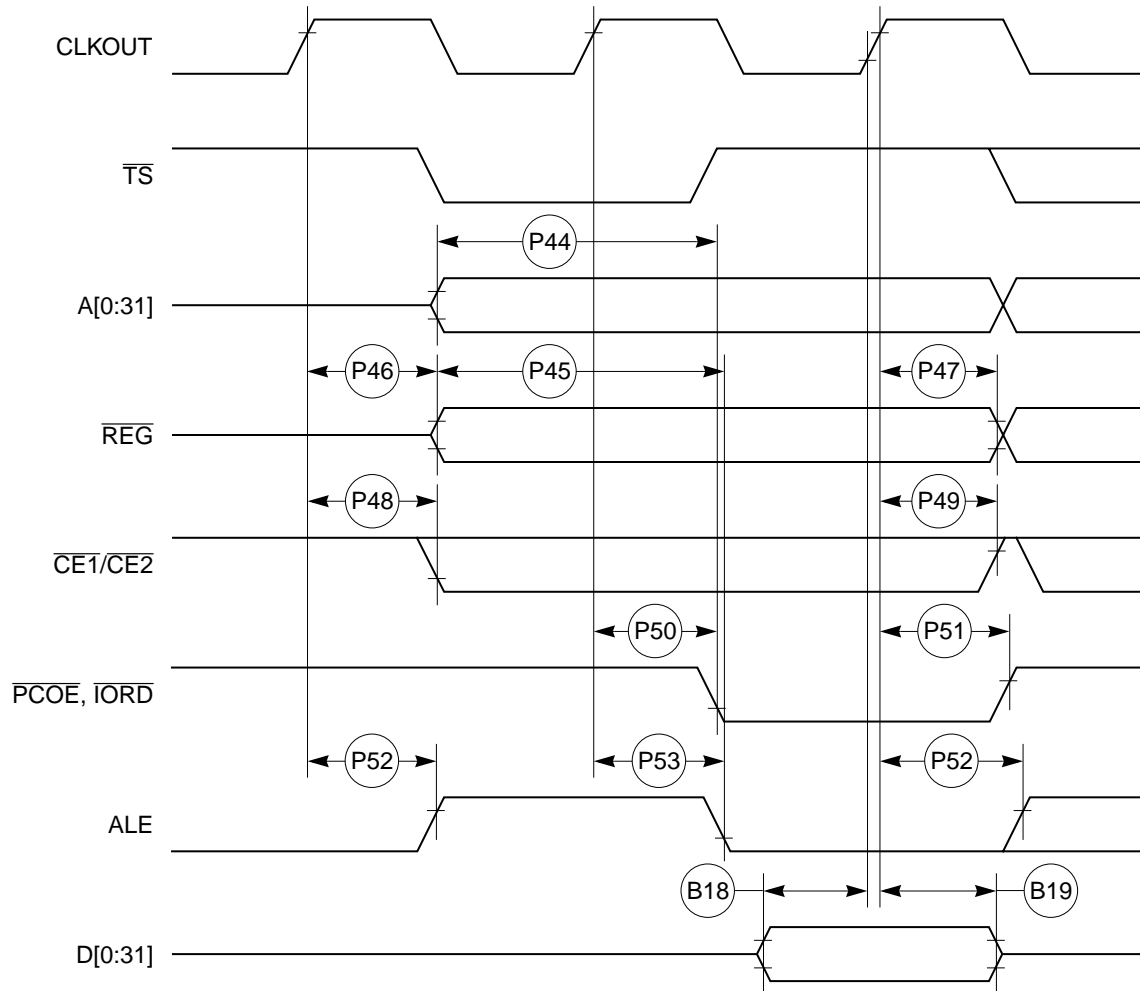


Figure 24. PCMCIA Access Cycle Timing External Bus Read

Figure 25 provides the PCMCIA access cycle timing for the external bus write.

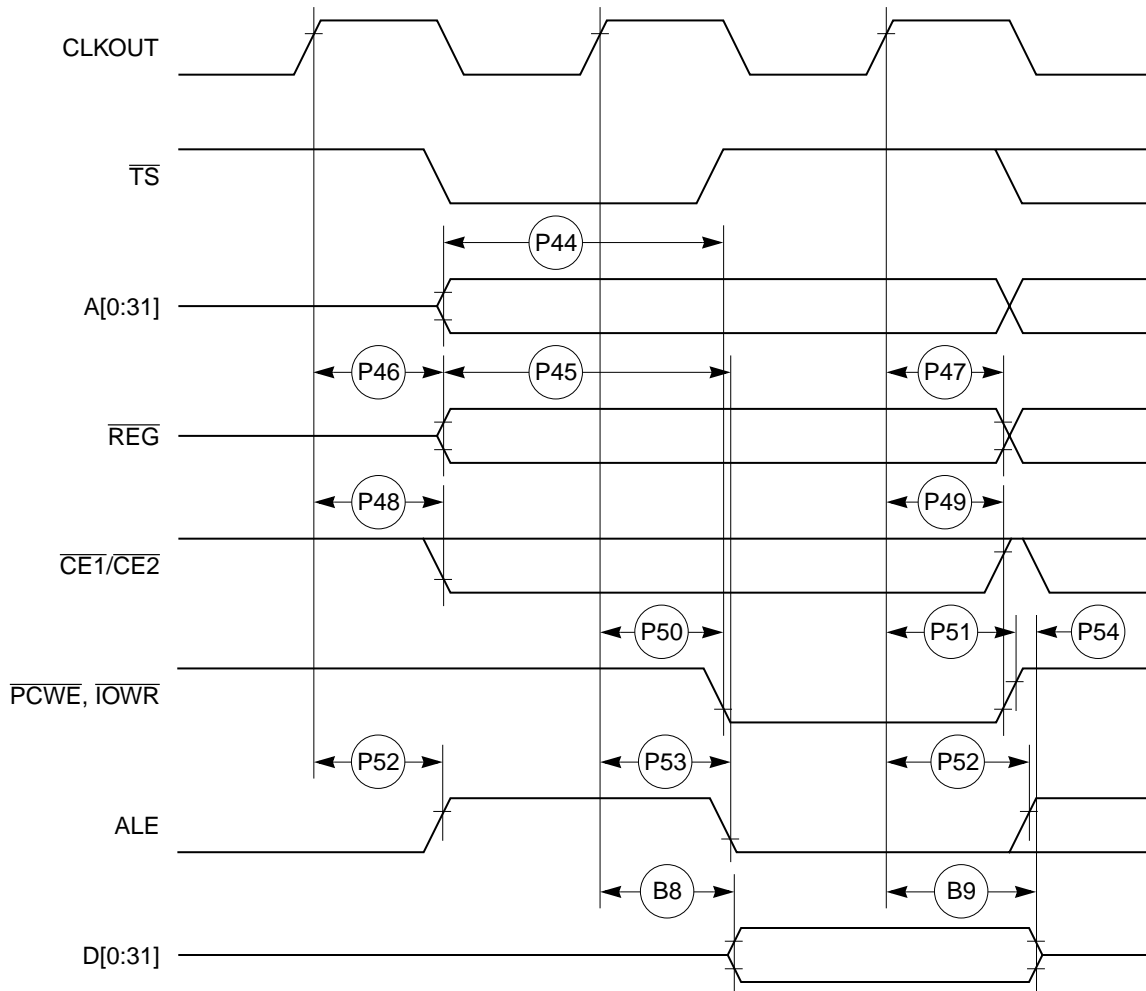


Figure 25. PCMCIA Access Cycle Timing External Bus Write

Figure 26 provides the PCMCIA  $\overline{\text{WAIT}}$  signal detection timing.

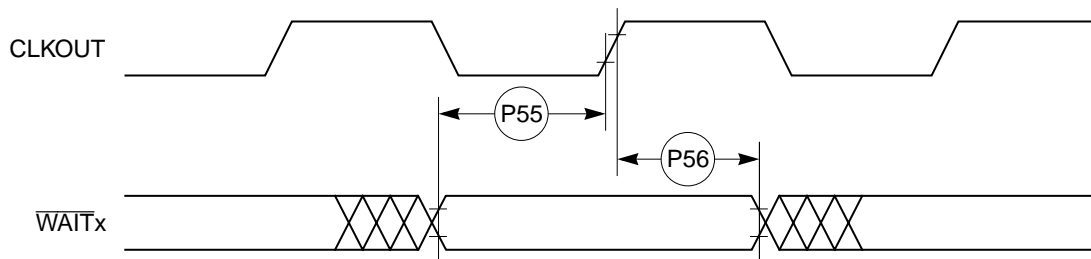


Figure 26. PCMCIA  $\overline{\text{WAIT}}$  Signal Detection Timing

## Bus Signal Timing

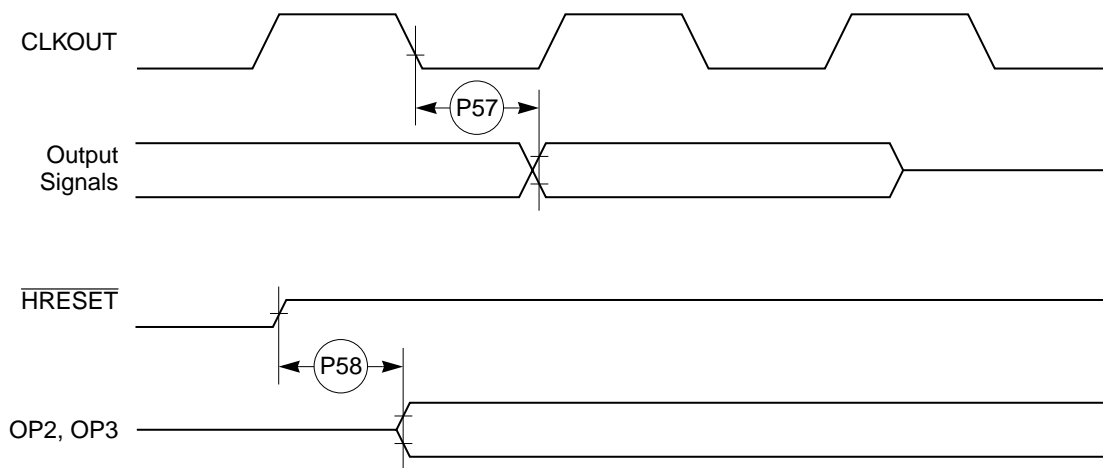
Table 9 shows the PCMCIA port timing for the MPC860.

**Table 9. PCMCIA Port Timing**

Num	Characteristic	33 MHz		40 MHz		50 MHz		66 MHz		Unit
		Min	Max	Min	Max	Min	Max	Min	Max	
P57	CLKOUT to OPx valid	—	19.00	—	19.00	—	19.00	—	19.00	ns
P58	$\overline{\text{HRESET}}$ negated to OPx drive <sup>1</sup>	25.73	—	21.75	—	18.00	—	14.36	—	ns
P59	IP_Xx valid to CLKOUT rising edge	5.00	—	5.00	—	5.00	—	5.00	—	ns
P60	CLKOUT rising edge to IP_Xx invalid	1.00	—	1.00	—	1.00	—	1.00	—	ns

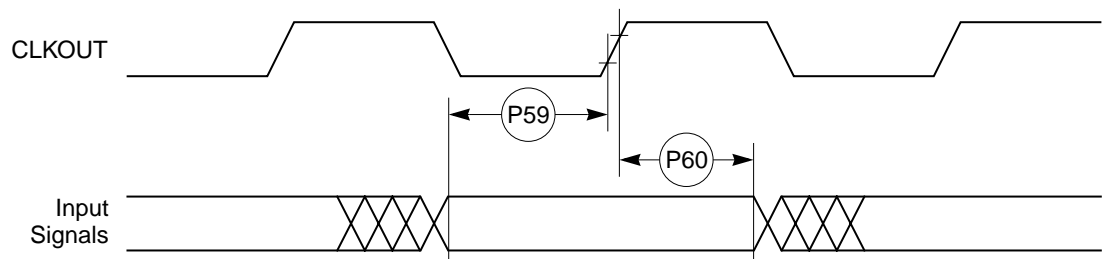
<sup>1</sup> OP2 and OP3 only

Figure 27 provides the PCMCIA output port timing for the MPC860.



**Figure 27. PCMCIA Output Port Timing**

Figure 28 provides the PCMCIA output port timing for the MPC860.



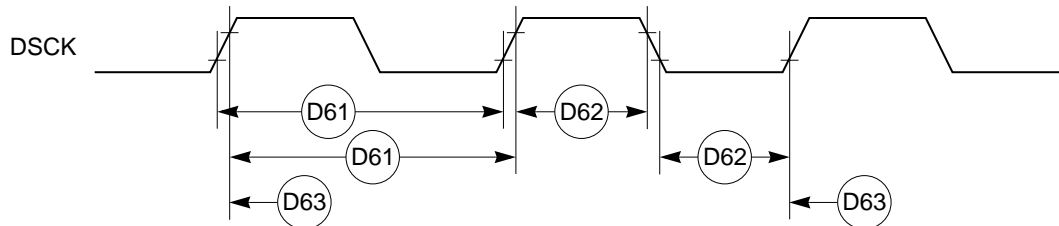
**Figure 28. PCMCIA Input Port Timing**

Table 10 shows the debug port timing for the MPC860.

**Table 10. Debug Port Timing**

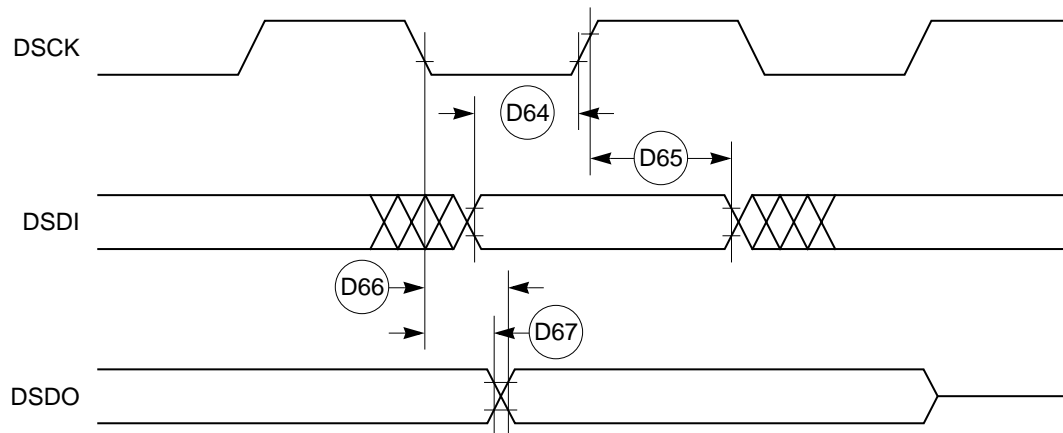
Num	Characteristic	All Frequencies		Unit
		Min	Max	
P61	DSCK cycle time	$3 \times T_{\text{CLOCKOUT}}$	—	—
P62	DSCK clock pulse width	$1.25 \times T_{\text{CLOCKOUT}}$	—	—
P63	DSCK rise and fall times	0.00	3.00	ns
P64	DSDI input data setup time	8.00	—	ns
P65	DSDI data hold time	5.00	—	ns
P66	DSCK low to DSDO data valid	0.00	15.00	ns
P67	DSCK low to DSDO invalid	0.00	2.00	ns

Figure 29 provides the input timing for the debug port clock.



**Figure 29. Debug Port Clock Input Timing**

Figure 30 provides the timing for the debug port.



**Figure 30. Debug Port Timings**

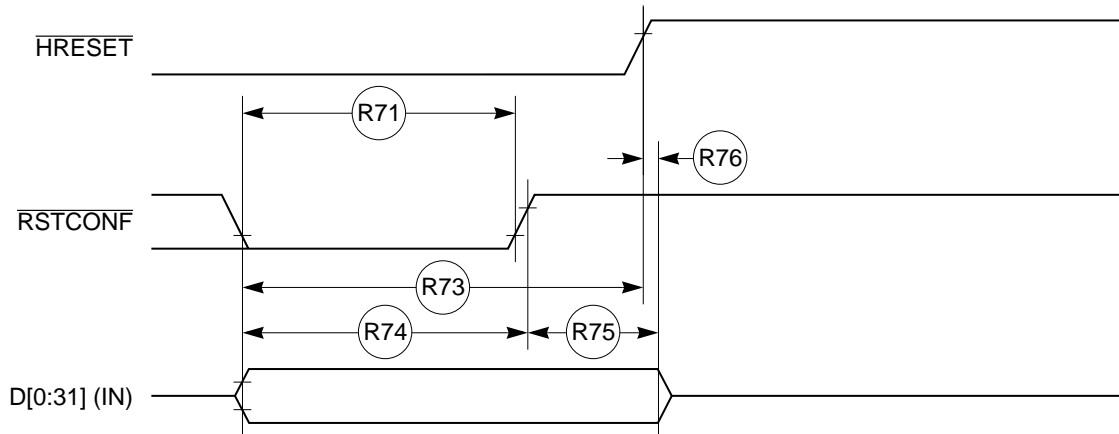
## Bus Signal Timing

Table 11 shows the reset timing for the MPC860.

**Table 11. Reset Timing**

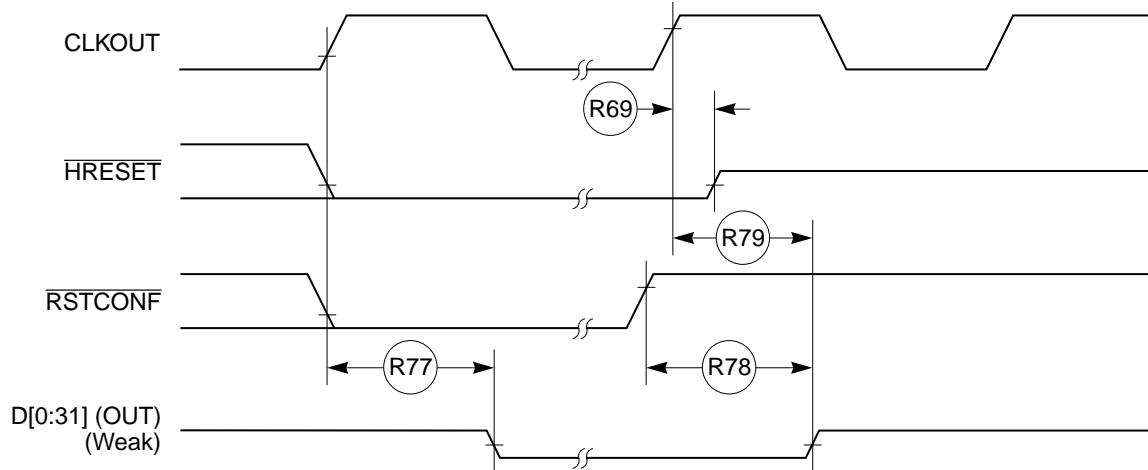
Num	Characteristic	33 MHz		40 MHz		50 MHz		66 MHz		Unit
		Min	Max	Min	Max	Min	Max	Min	Max	
R69	CLKOUT to $\overline{\text{HRESET}}$ high impedance	—	20.00	—	20.00	—	20.00	—	20.00	ns
R70	CLKOUT to $\overline{\text{SRESET}}$ high impedance	—	20.00	—	20.00	—	20.00	—	20.00	ns
R71	RSTCONF pulse width	515.1 5	—	425.0 0	—	340.0 0	—	257.5 8	—	ns
R72	—	—	—	—	—	—	—	—	—	
R73	Configuration data to HRESET rising edge setup time	504.5 5	—	425.0 0	—	350.0 0	—	277.2 7	—	ns
R74	Configuration data to RSTCONF rising edge setup time	350.0 0	—	350.0 0	—	350.0 0	—	350.0 0	—	ns
R75	Configuration data hold time after RSTCONF negation	0.00	—	0.00	—	0.00	—	0.00	—	ns
R76	Configuration data hold time after HRESET negation	0.00	—	0.00	—	0.00	—	0.00	—	ns
R77	HRESET and RSTCONF asserted to data out drive	—	25.00	—	25.00	—	25.00	—	25.00	ns
R78	RSTCONF negated to data out high impedance	—	25.00	—	25.00	—	25.00	—	25.00	ns
R79	CLKOUT of last rising edge before chip three-state HRESET to data out high impedance	—	25.00	—	25.00	—	25.00	—	25.00	ns
R80	DSDI, DSCK setup	90.91	—	75.00	—	60.00	—	45.45	—	ns
R81	DSDI, DSCK hold time	0.00	—	0.00	—	0.00	—	0.00	—	ns
R82	$\overline{\text{SRESET}}$ negated to CLKOUT rising edge for DSDI and DSCK sample	242.4 2	—	200.0 0	—	160.0 0	—	121.2 1	—	ns

Figure 31 shows the reset timing for the data bus configuration.



**Figure 31. Reset Timing—Configuration from Data Bus**

Figure 32 provides the reset timing for the data bus weak drive during configuration.



**Figure 32. Reset Timing—Data Bus Weak Drive During Configuration**

## IEEE 1149.1 Electrical Specifications

Figure 33 provides the reset timing for the debug port configuration.

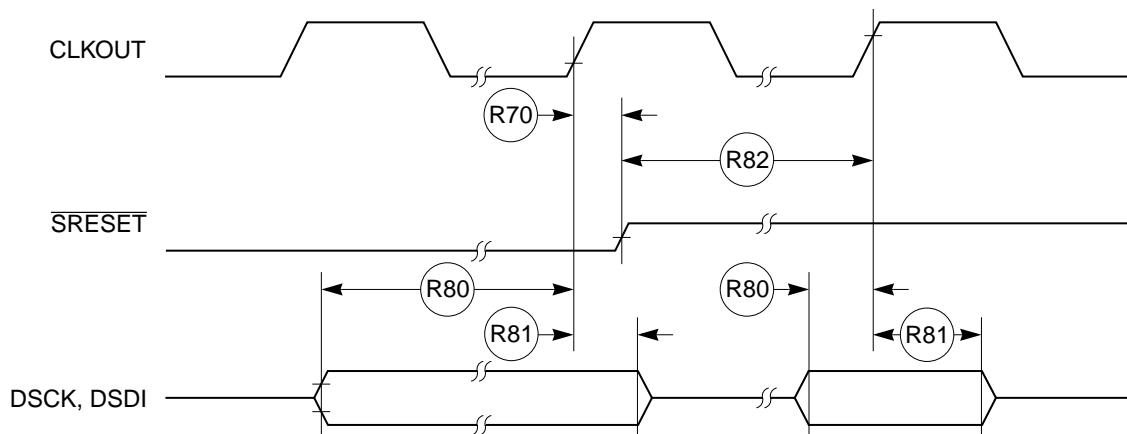


Figure 33. Reset Timing—Debug Port Configuration

## 10 IEEE 1149.1 Electrical Specifications

Table 12 provides the JTAG timings for the MPC860 shown in Figure 34 through Figure 37.

Table 12. JTAG Timing

Num	Characteristic	All Frequencies		Unit
		Min	Max	
J82	TCK cycle time	100.00	—	ns
J83	TCK clock pulse width measured at 1.5 V	40.00	—	ns
J84	TCK rise and fall times	0.00	10.00	ns
J85	TMS, TDI data setup time	5.00	—	ns
J86	TMS, TDI data hold time	25.00	—	ns
J87	TCK low to TDO data valid	—	27.00	ns
J88	TCK low to TDO data invalid	0.00	—	ns
J89	TCK low to TDO high impedance	—	20.00	ns
J90	$\overline{\text{TRST}}$ assert time	100.00	—	ns
J91	$\overline{\text{TRST}}$ setup time to TCK low	40.00	—	ns
J92	TCK falling edge to output valid	—	50.00	ns
J93	TCK falling edge to output valid out of high impedance	—	50.00	ns
J94	TCK falling edge to output high impedance	—	50.00	ns
J95	Boundary scan input valid to TCK rising edge	50.00	—	ns
J96	TCK rising edge to boundary scan input invalid	50.00	—	ns



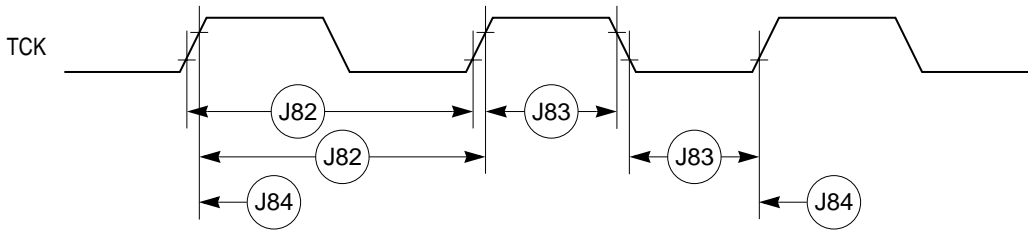


Figure 34. JTAG Test Clock Input Timing

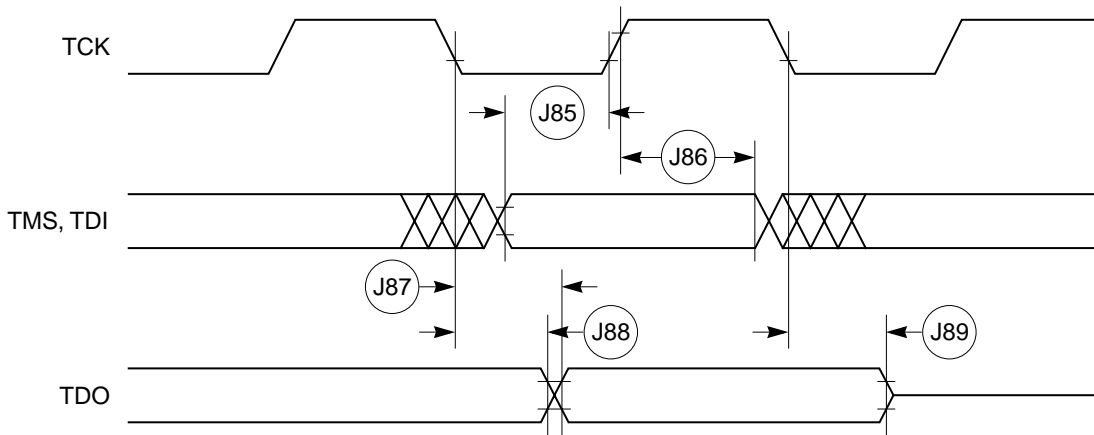


Figure 35. JTAG Test Access Port Timing Diagram

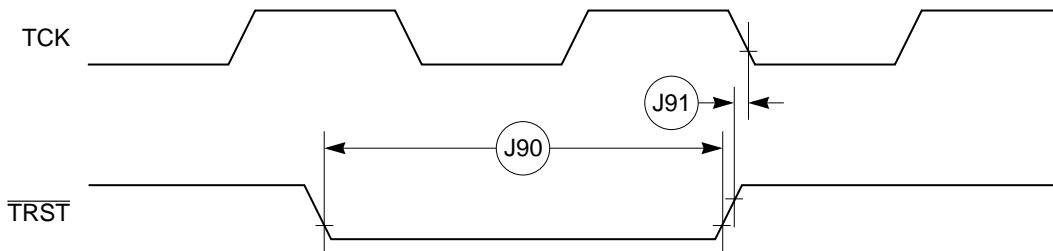


Figure 36. JTAG TRST Timing Diagram

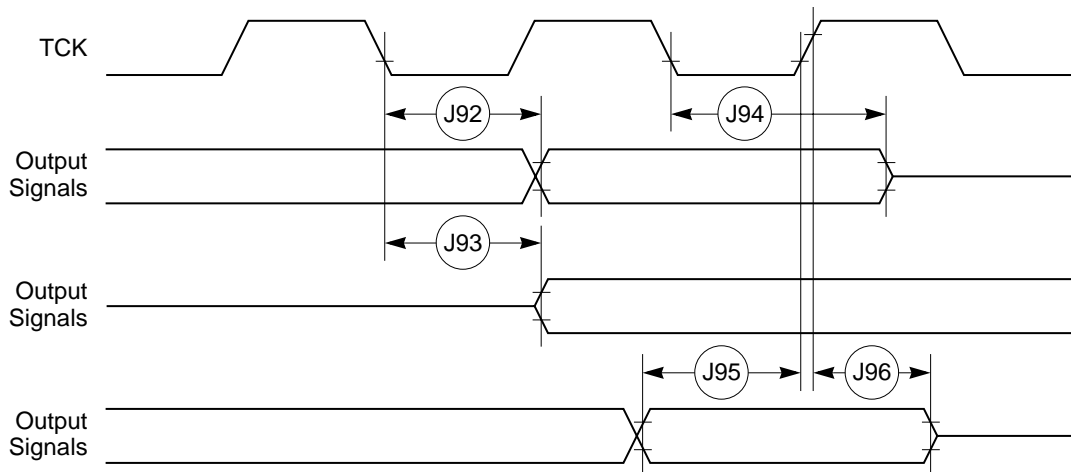


Figure 37. Boundary Scan (JTAG) Timing Diagram

# 11 CPM Electrical Characteristics

This section provides the AC and DC electrical specifications for the communications processor module (CPM) of the MPC860.

## 11.1 PIP/PIO AC Electrical Specifications

Table 13 provides the PIP/PIO AC timings as shown in Figure 38 through Figure 42.

Table 13. PIP/PIO Timing

Num	Characteristic	All Frequencies		Unit
		Min	Max	
21	Data-in setup time to STBI low	0	—	ns
22	Data-in hold time to STBI high	2.5 – t <sub>3</sub> <sup>1</sup>	—	CLK
23	STBI pulse width	1.5	—	CLK
24	STBO pulse width	1 CLK – 5 ns	—	ns
25	Data-out setup time to STBO low	2	—	CLK
26	Data-out hold time from STBO high	5	—	CLK
27	STBI low to STBO low (Rx interlock)	—	2	CLK
28	STBI low to STBO high (Tx interlock)	2	—	CLK
29	Data-in setup time to clock high	15	—	ns
30	Data-in hold time from clock high	7.5	—	ns
31	Clock low to data-out valid (CPU writes data, control, or direction)	—	25	ns

<sup>1</sup> t<sub>3</sub> = Specification 23.

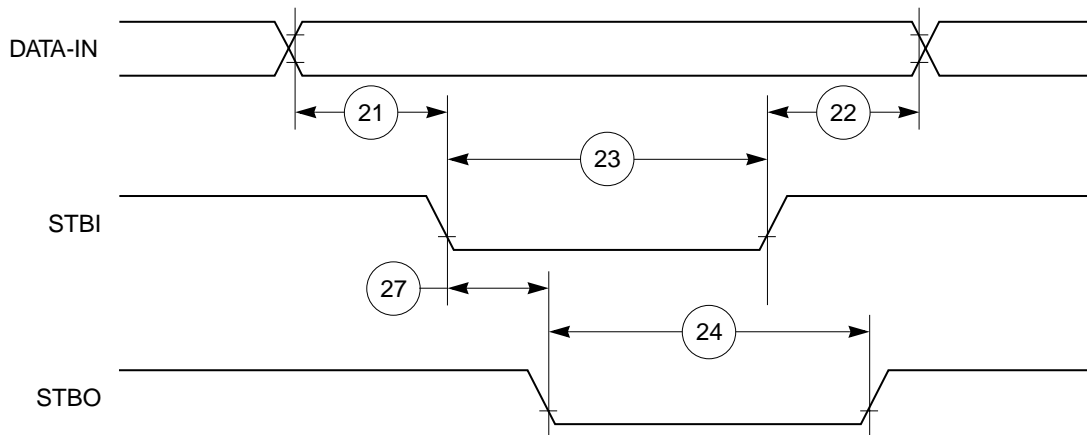


Figure 38. PIP Rx (Interlock Mode) Timing Diagram

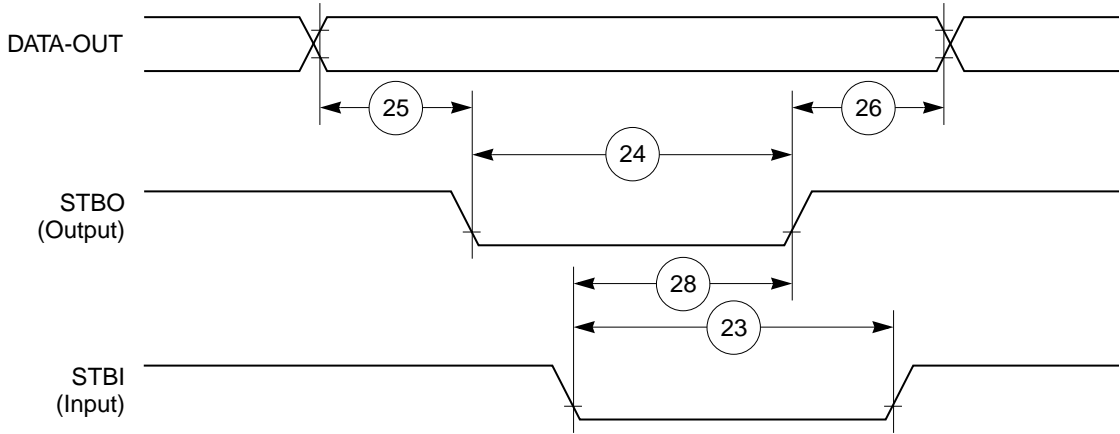


Figure 39. PIP Tx (Interlock Mode) Timing Diagram

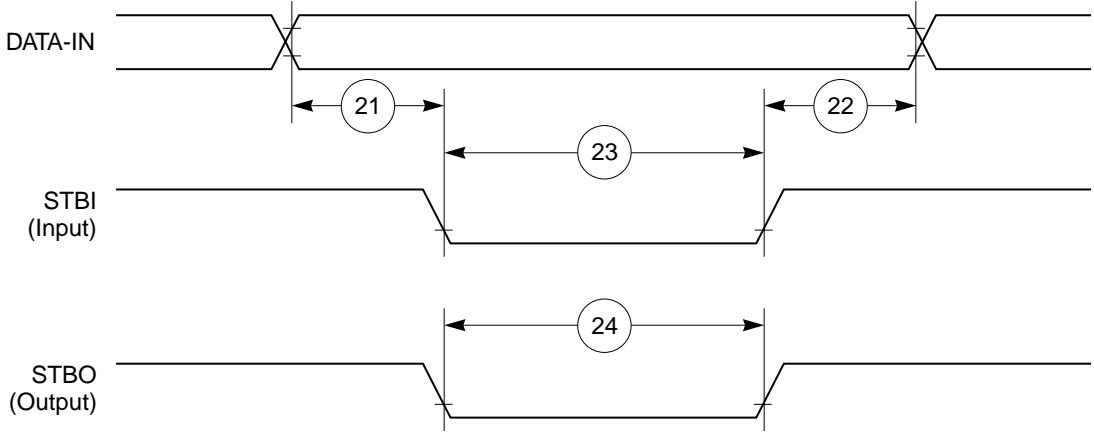


Figure 40. PIP Rx (Pulse Mode) Timing Diagram

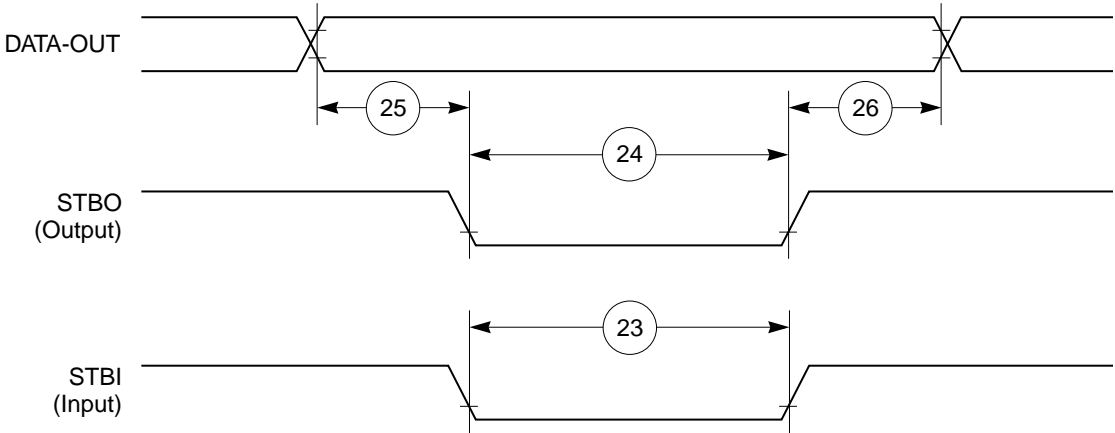


Figure 41. PIP TX (Pulse Mode) Timing Diagram

## CPM Electrical Characteristics

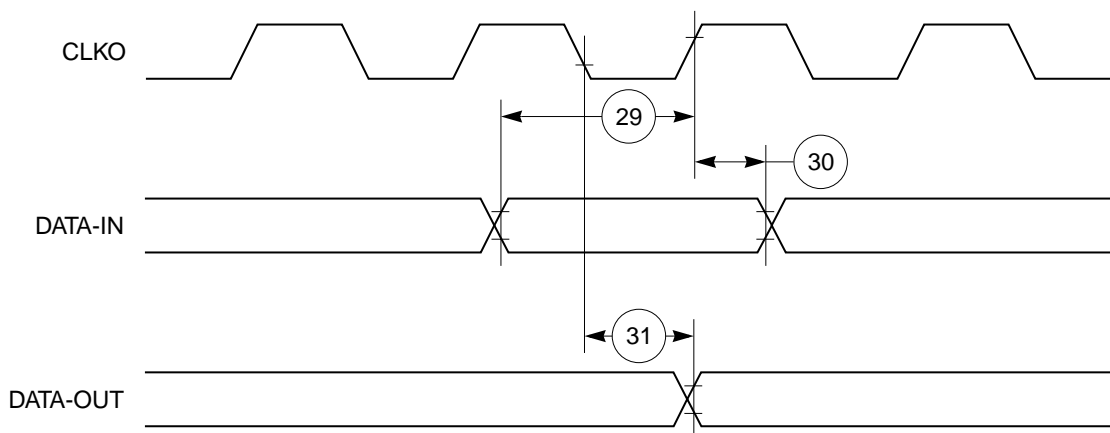


Figure 42. Parallel I/O Data-In/Data-Out Timing Diagram

## 11.2 Port C Interrupt AC Electrical Specifications

Table 14 provides the timings for port C interrupts.

Table 14. Port C Interrupt Timing

Num	Characteristic	$\geq 33.34$ MHz <sup>1</sup>		Unit
		Min	Max	
35	Port C interrupt pulse width low (edge-triggered mode)	55	—	ns
36	Port C interrupt minimum time between active edges	55	—	ns

<sup>1</sup> External bus frequency of greater than or equal to 33.34 MHz.

Figure 43 shows the port C interrupt detection timing.

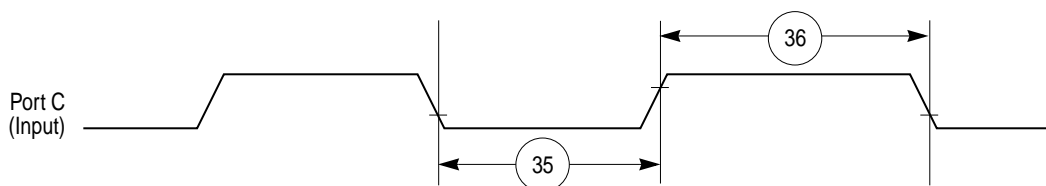


Figure 43. Port C Interrupt Detection Timing

## 11.3 IDMA Controller AC Electrical Specifications

Table 15 provides the IDMA controller timings as shown in Figure 44 through Figure 47.

Table 15. IDMA Controller Timing

Num	Characteristic	All Frequencies		Unit
		Min	Max	
40	$\overline{DREQ}$ setup time to clock high	7	—	ns
41	$\overline{DREQ}$ hold time from clock high	3	—	ns
42	$\overline{SDACK}$ assertion delay from clock high	—	12	ns
43	$\overline{SDACK}$ negation delay from clock low	—	12	ns
44	$\overline{SDACK}$ negation delay from $\overline{TA}$ low	—	20	ns
45	$\overline{SDACK}$ negation delay from clock high	—	15	ns
46	$\overline{TA}$ assertion to falling edge of the clock setup time (applies to external $\overline{TA}$ )	7	—	ns

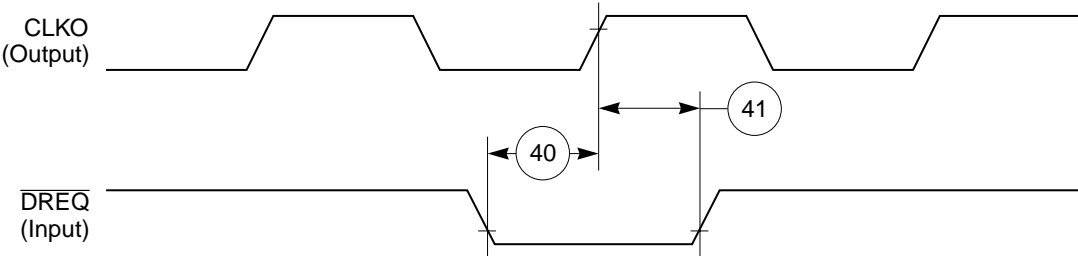
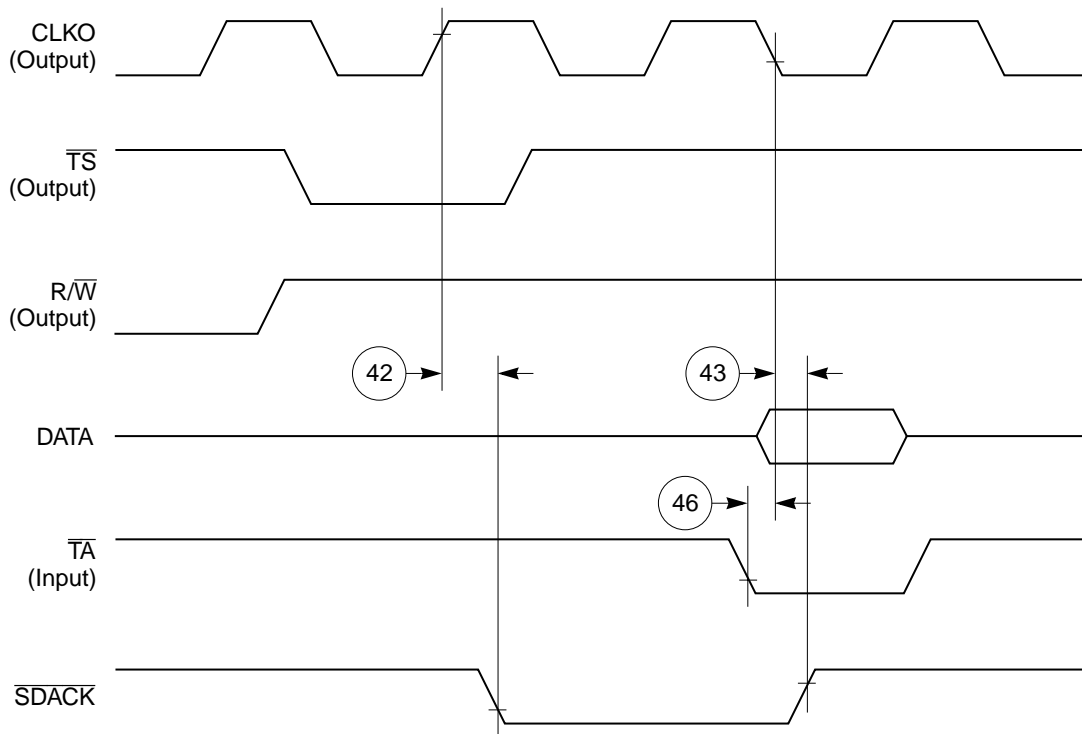
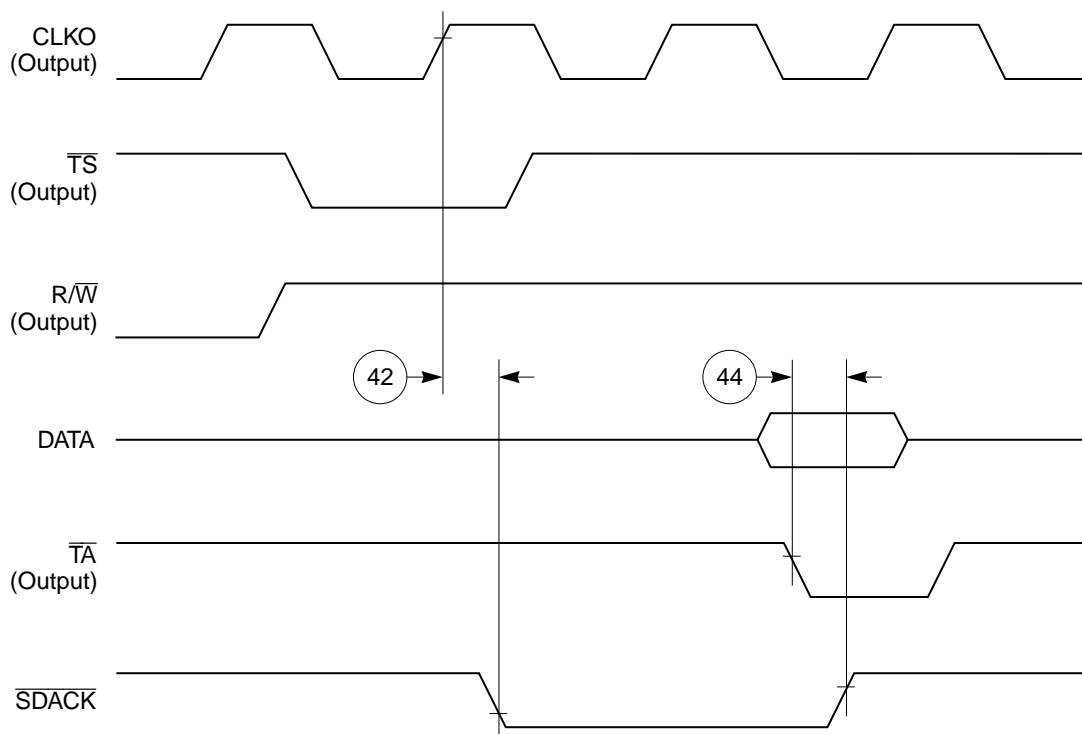


Figure 44. IDMA External Requests Timing Diagram

## CPM Electrical Characteristics



**Figure 45.  $\overline{SDACK}$  Timing Diagram—Peripheral Write, Externally-Generated  $\overline{TA}$**



**Figure 46.  $\overline{SDACK}$  Timing Diagram—Peripheral Write, Internally-Generated  $\overline{TA}$**

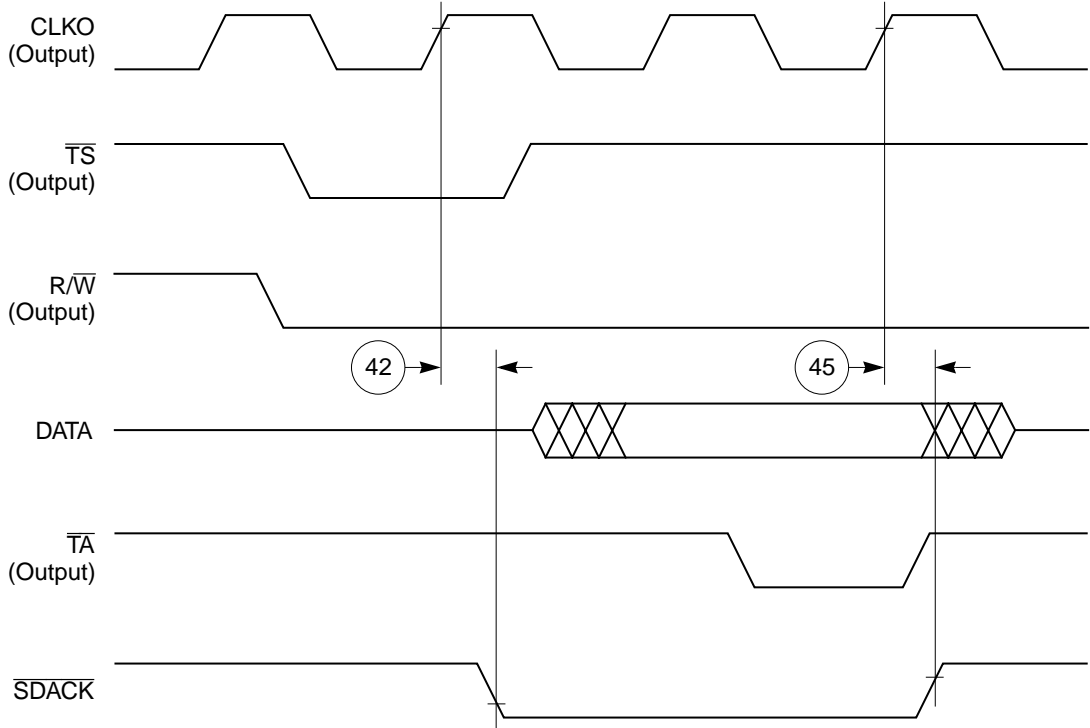


Figure 47.  $\overline{SDACK}$  Timing Diagram—Peripheral Read, Internally-Generated  $\overline{TA}$

### 11.4 Baud Rate Generator AC Electrical Specifications

Table 16 provides the baud rate generator timings as shown in Figure 48.

Table 16. Baud Rate Generator Timing

Num	Characteristic	All Frequencies		Unit
		Min	Max	
50	BRGO rise and fall time	—	10	ns
51	BRGO duty cycle	40	60	%
52	BRGO cycle	40	—	ns

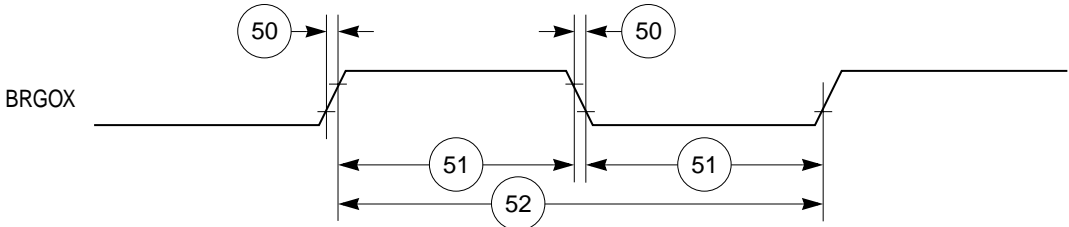


Figure 48. Baud Rate Generator Timing Diagram

## 11.5 Timer AC Electrical Specifications

Table 17 provides the general-purpose timer timings as shown in Figure 49.

Table 17. Timer Timing

Num	Characteristic	All Frequencies		Unit
		Min	Max	
61	TIN/TGATE rise and fall time	10	—	ns
62	TIN/TGATE low time	1	—	CLK
63	TIN/TGATE high time	2	—	CLK
64	TIN/TGATE cycle time	3	—	CLK
65	CLKO low to TOUT valid	3	25	ns

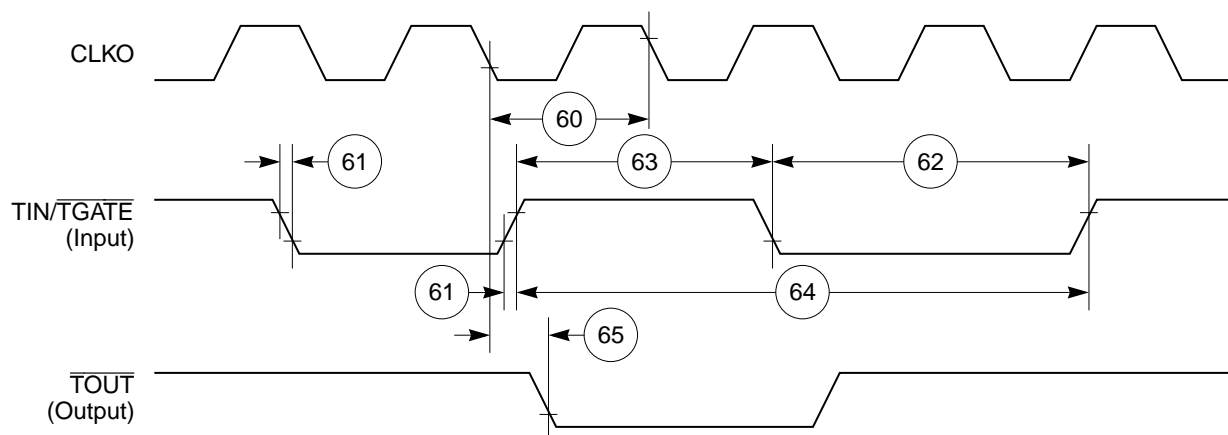


Figure 49. CPM General-Purpose Timers Timing Diagram

## 11.6 Serial Interface AC Electrical Specifications

Table 18 provides the serial interface timings as shown in Figure 50 through Figure 54.

Table 18. SI Timing

Num	Characteristic	All Frequencies		Unit
		Min	Max	
70	L1RCLK, L1TCLK frequency (DSC = 0) <sup>1, 2</sup>	—	SYNCCCLK/2.5	MHz
71	L1RCLK, L1TCLK width low (DSC = 0) <sup>2</sup>	P + 10	—	ns
71a	L1RCLK, L1TCLK width high (DSC = 0) <sup>3</sup>	P + 10	—	ns
72	L1TXD, L1ST(1–4), L1TRQ, L1CLKO rise/fall time	—	15.00	ns
73	L1RSYNC, L1TSYNC valid to L1CLK edge (SYNC setup time)	20.00	—	ns
74	L1CLK edge to L1RSYNC, L1TSYNC, invalid (SYNC hold time)	35.00	—	ns
75	L1RSYNC, L1TSYNC rise/fall time	—	15.00	ns



Table 18. SI Timing (continued)

Num	Characteristic	All Frequencies		Unit
		Min	Max	
76	L1RXD valid to L1CLK edge (L1RXD setup time)	17.00	—	ns
77	L1CLK edge to L1RXD invalid (L1RXD hold time)	13.00	—	ns
78	L1CLK edge to L1ST(1–4) valid <sup>4</sup>	10.00	45.00	ns
78A	L1SYNC valid to L1ST(1–4) valid	10.00	45.00	ns
79	L1CLK edge to L1ST(1–4) invalid	10.00	45.00	ns
80	L1CLK edge to L1TXD valid	10.00	55.00	ns
80A	L1TSYNC valid to L1TXD valid <sup>4</sup>	10.00	55.00	ns
81	L1CLK edge to L1TXD high impedance	0.00	42.00	ns
82	L1RCLK, L1TCLK frequency (DSC = 1)	—	16.00 or SYNCCLK/2	MHz
83	L1RCLK, L1TCLK width low (DSC = 1)	P + 10	—	ns
83a	L1RCLK, L1TCLK width high (DSC = 1) <sup>3</sup>	P + 10	—	ns
84	L1CLK edge to L1CLKO valid (DSC = 1)	—	30.00	ns
85	$\overline{L1RQ}$ valid before falling edge of L1TSYNC <sup>4</sup>	1.00	—	L1TCLK
86	L1GR setup time <sup>2</sup>	42.00	—	ns
87	L1GR hold time	42.00	—	ns
88	L1CLK edge to L1SYNC valid (FSD = 00) CNT = 0000, BYT = 0, DSC = 0)	—	0.00	ns

<sup>1</sup> The ratio SYNCCLK/L1RCLK must be greater than 2.5/1.

<sup>2</sup> These specs are valid for IDL mode only.

<sup>3</sup> Where P = 1/CLKOUT. Thus, for a 25-MHz CLKOUT rate, P = 40 ns.

<sup>4</sup> These strobes and TxD on the first bit of the frame become valid after L1CLK edge or L1SYNC, whichever comes later.

## CPM Electrical Characteristics

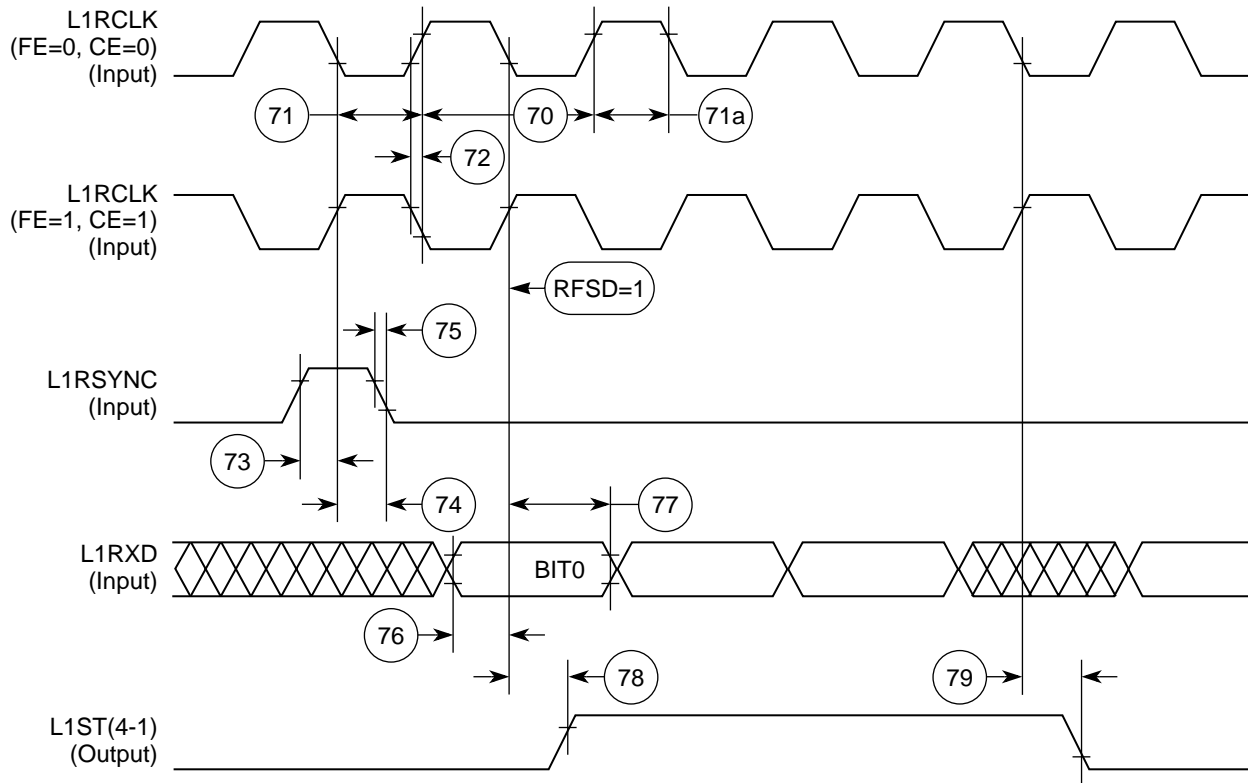


Figure 50. SI Receive Timing Diagram with Normal Clocking (DSC = 0)

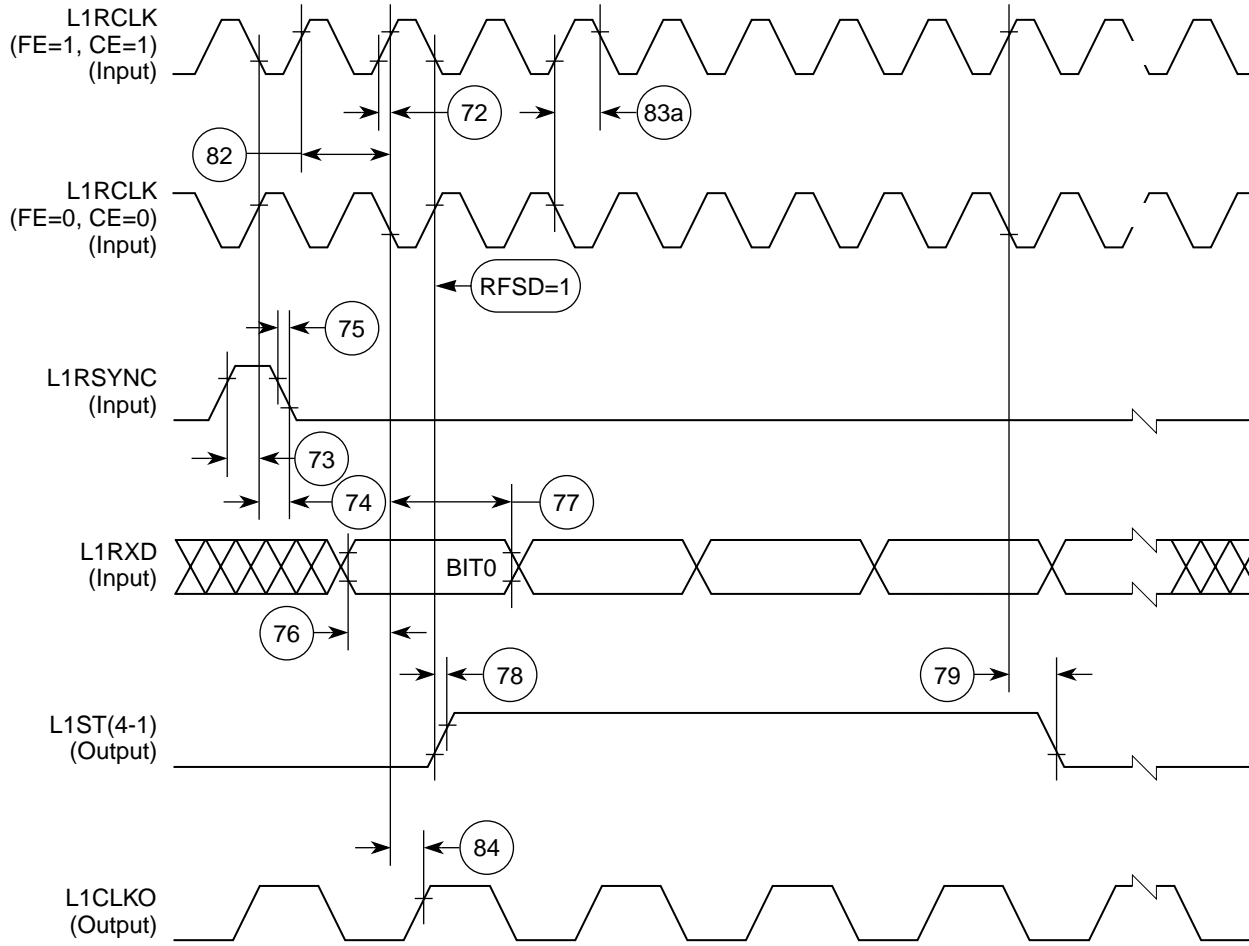


Figure 51. SI Receive Timing with Double-Speed Clocking (DSC = 1)

## CPM Electrical Characteristics

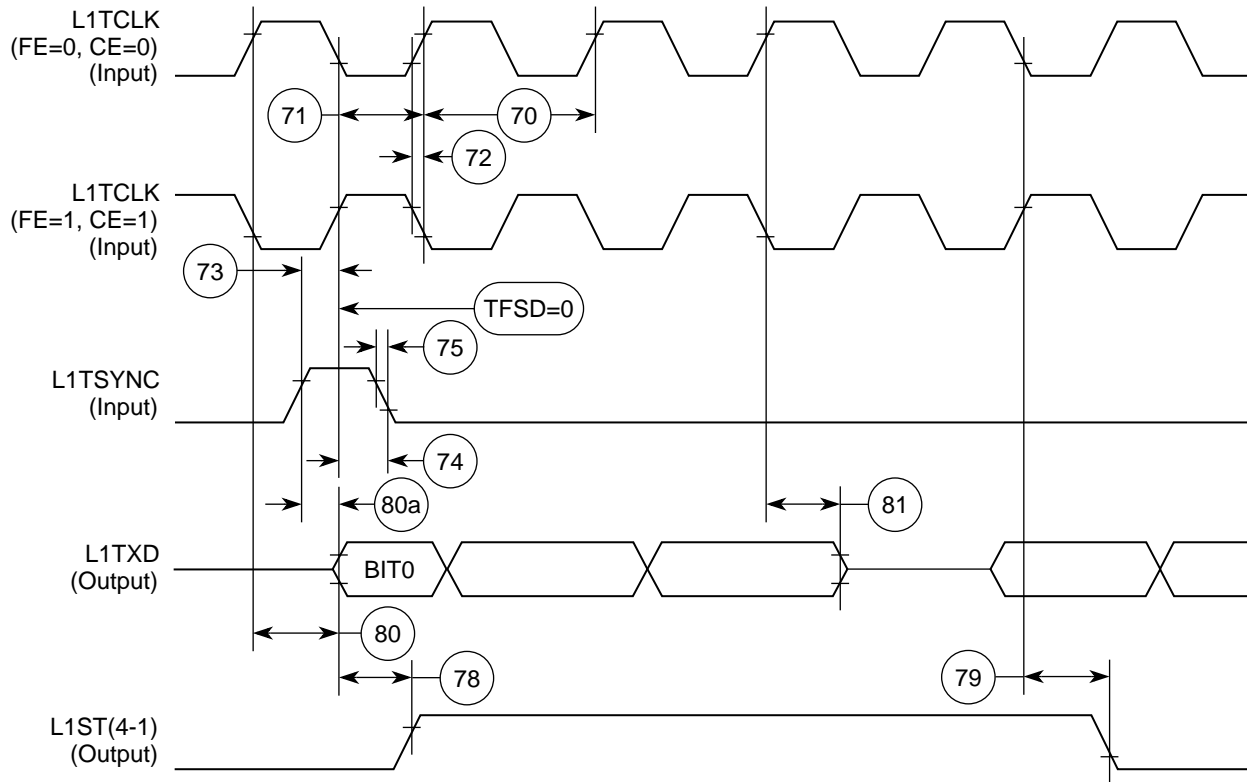


Figure 52. SI Transmit Timing Diagram (DSC = 0)

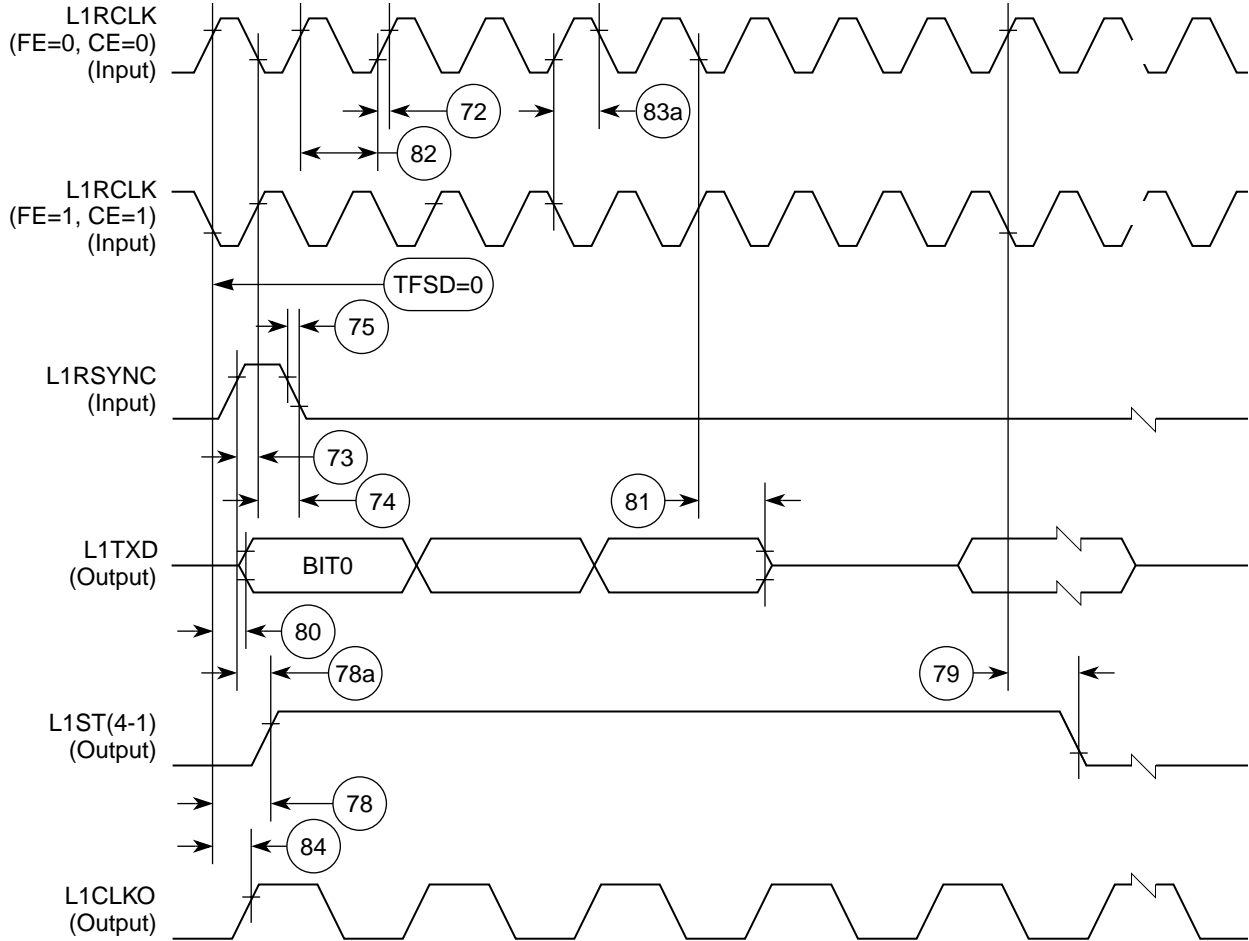


Figure 53. SI Transmit Timing with Double Speed Clocking (DSC = 1)

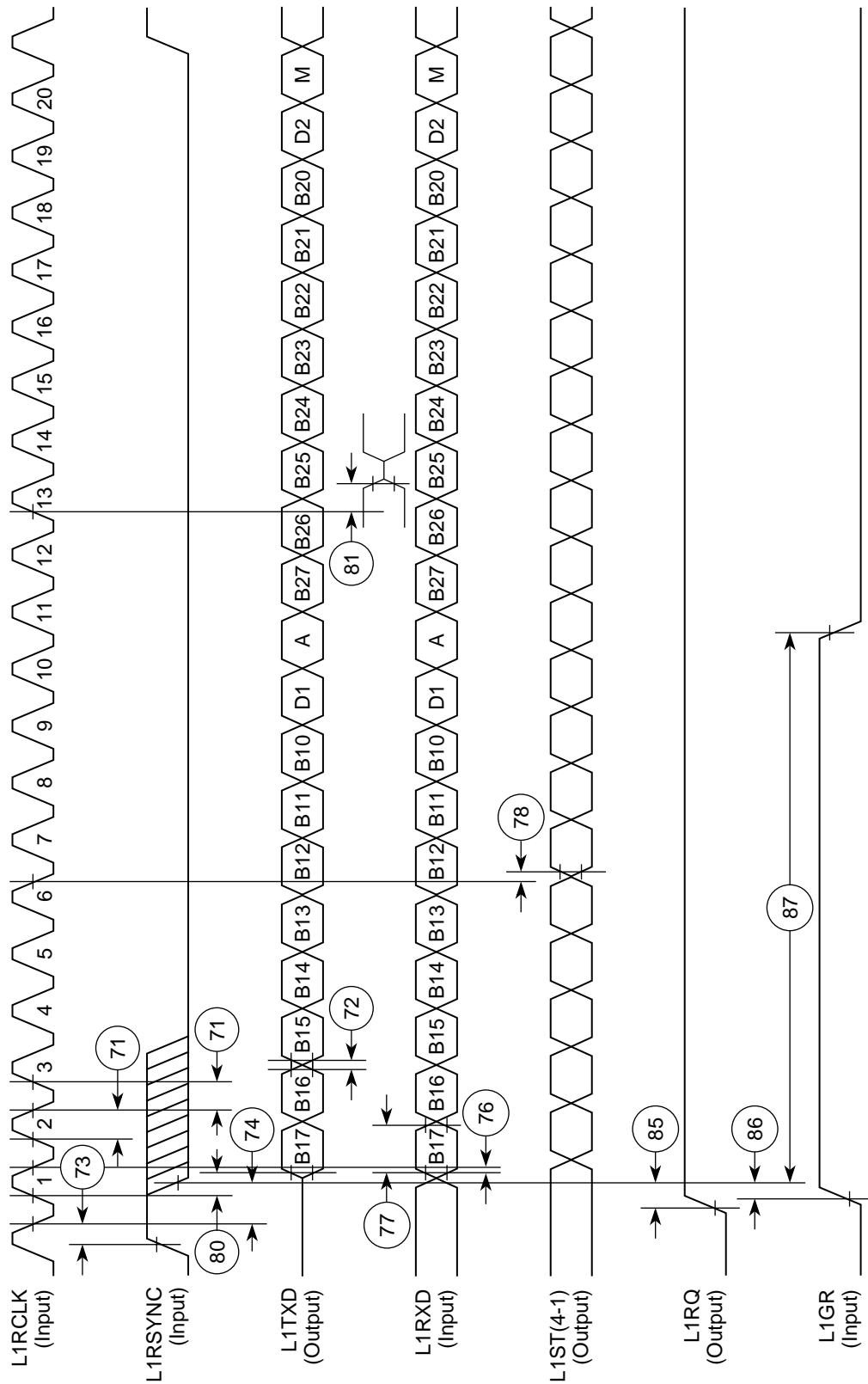


Figure 54. IDL Timing

## 11.7 SCC in NMSI Mode Electrical Specifications

Table 19 provides the NMSI external clock timing.

**Table 19. NMSI External Clock Timing**

Num	Characteristic	All Frequencies		Unit
		Min	Max	
100	RCLK1 and TCLK1 width high <sup>1</sup>	1/SYNCCLK	—	ns
101	RCLK1 and TCLK1 width low	1/SYNCCLK + 5	—	ns
102	RCLK1 and TCLK1 rise/fall time	—	15.00	ns
103	TXD1 active delay (from TCLK1 falling edge)	0.00	50.00	ns
104	$\overline{\text{RTS1}}$ active/inactive delay (from TCLK1 falling edge)	0.00	50.00	ns
105	$\overline{\text{CTS1}}$ setup time to TCLK1 rising edge	5.00	—	ns
106	RXD1 setup time to RCLK1 rising edge	5.00	—	ns
107	RXD1 hold time from RCLK1 rising edge <sup>2</sup>	5.00	—	ns
108	$\overline{\text{CD1}}$ setup Time to RCLK1 rising edge	5.00	—	ns

<sup>1</sup> The ratios SYNCCLK/RCLK1 and SYNCCLK/TCLK1 must be greater than or equal to 2.25/1.

<sup>2</sup> Also applies to  $\overline{\text{CD}}$  and  $\overline{\text{CTS}}$  hold time when they are used as external sync signals.

Table 20 provides the NMSI internal clock timing.

**Table 20. NMSI Internal Clock Timing**

Num	Characteristic	All Frequencies		Unit
		Min	Max	
100	RCLK1 and TCLK1 frequency <sup>1</sup>	0.00	SYNCCLK/3	MHz
102	RCLK1 and TCLK1 rise/fall time	—	—	ns
103	TXD1 active delay (from TCLK1 falling edge)	0.00	30.00	ns
104	$\overline{\text{RTS1}}$ active/inactive delay (from TCLK1 falling edge)	0.00	30.00	ns
105	$\overline{\text{CTS1}}$ setup time to TCLK1 rising edge	40.00	—	ns
106	RXD1 setup time to RCLK1 rising edge	40.00	—	ns
107	RXD1 hold time from RCLK1 rising edge <sup>2</sup>	0.00	—	ns
108	$\overline{\text{CD1}}$ setup time to RCLK1 rising edge	40.00	—	ns

<sup>1</sup> The ratios SYNCCLK/RCLK1 and SYNCCLK/TCLK1 must be greater than or equal to 3/1.

<sup>2</sup> Also applies to  $\overline{\text{CD}}$  and  $\overline{\text{CTS}}$  hold time when they are used as external sync signals.

## CPM Electrical Characteristics

Figure 55 through Figure 57 show the NMSI timings.

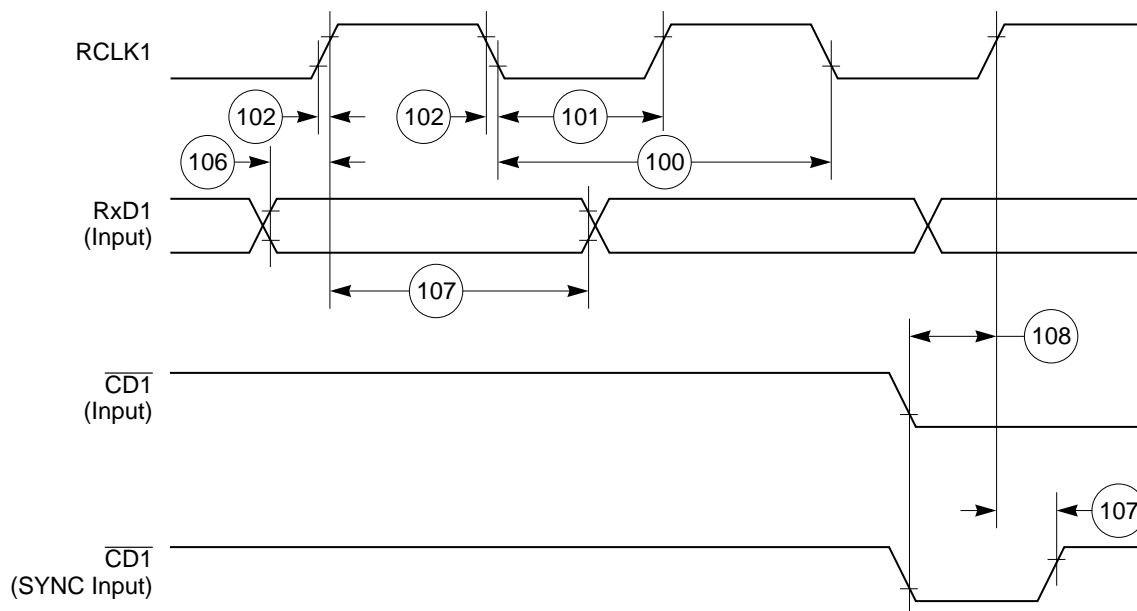


Figure 55. SCC NMSI Receive Timing Diagram

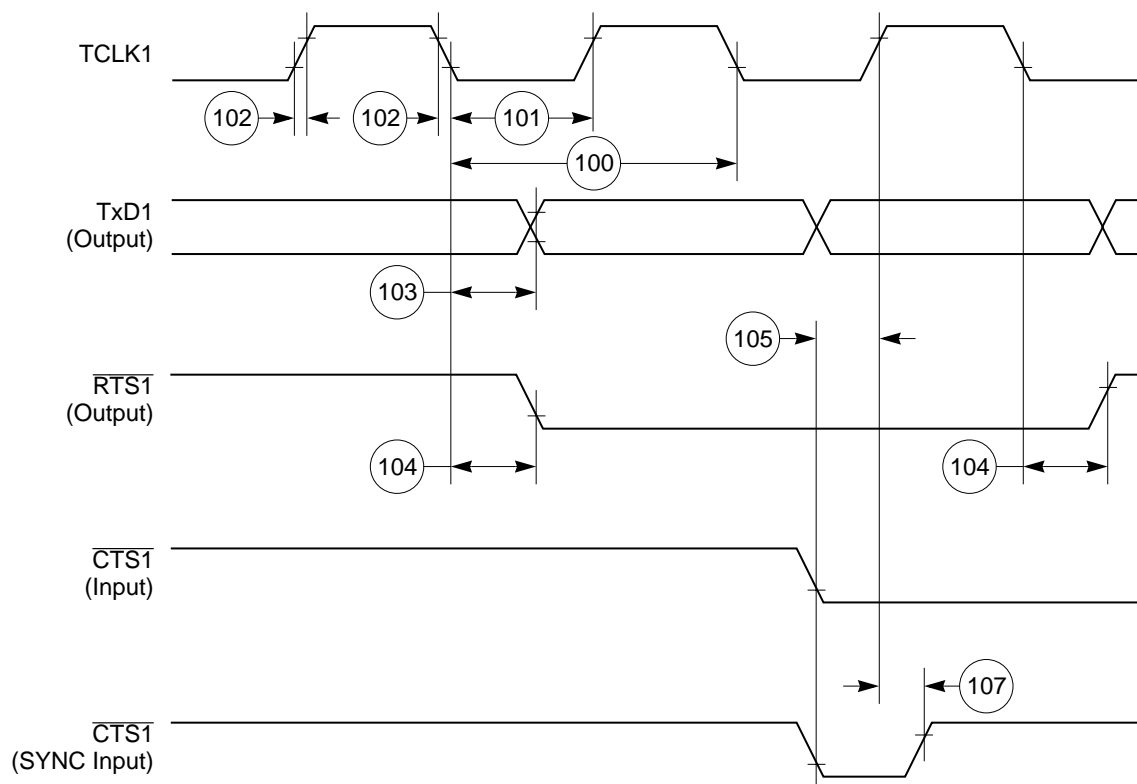


Figure 56. SCC NMSI Transmit Timing Diagram



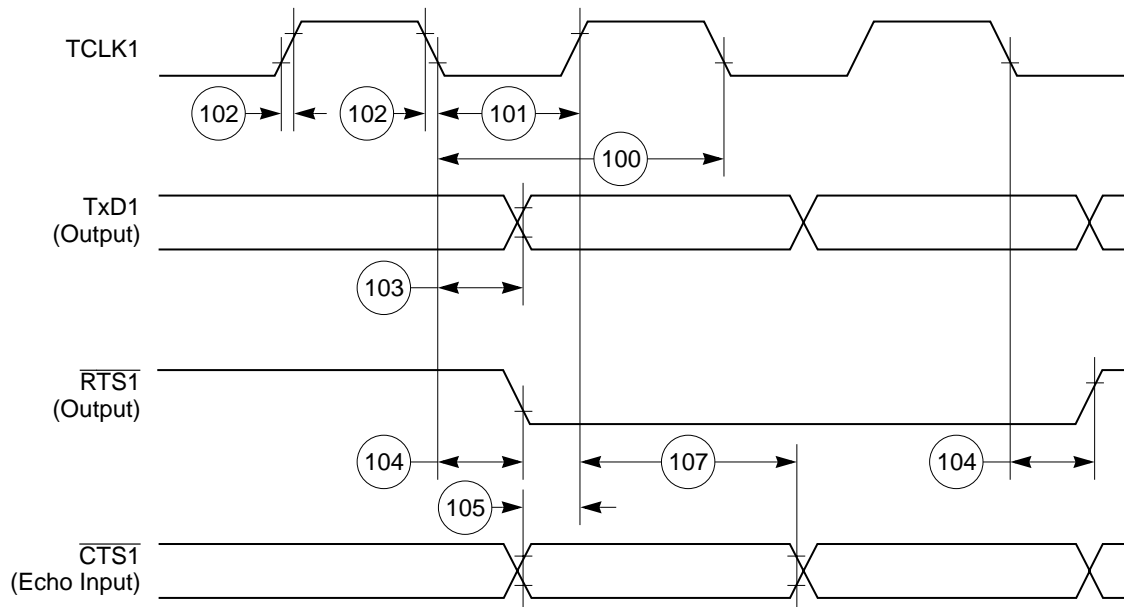


Figure 57. HDLC Bus Timing Diagram

## 11.8 Ethernet Electrical Specifications

Table 21 provides the Ethernet timings as shown in Figure 58 through Figure 62.

Table 21. Ethernet Timing

Num	Characteristic	All Frequencies		Unit
		Min	Max	
120	CLSN width high	40	—	ns
121	RCLK1 rise/fall time	—	15	ns
122	RCLK1 width low	40	—	ns
123	RCLK1 clock period <sup>1</sup>	80	120	ns
124	RXD1 setup time	20	—	ns
125	RXD1 hold time	5	—	ns
126	RENA active delay (from RCLK1 rising edge of the last data bit)	10	—	ns
127	RENA width low	100	—	ns
128	TCLK1 rise/fall time	—	15	ns
129	TCLK1 width low	40	—	ns
130	TCLK1 clock period <sup>1</sup>	99	101	ns
131	TXD1 active delay (from TCLK1 rising edge)	10	50	ns
132	TXD1 inactive delay (from TCLK1 rising edge)	10	50	ns
133	TENA active delay (from TCLK1 rising edge)	10	50	ns
134	TENA inactive delay (from TCLK1 rising edge)	10	50	ns

Table 21. Ethernet Timing (continued)

Num	Characteristic	All Frequencies		Unit
		Min	Max	
135	$\overline{\text{RSTRT}}$ active delay (from TCLK1 falling edge)	10	50	ns
136	$\overline{\text{RSTRT}}$ inactive delay (from TCLK1 falling edge)	10	50	ns
137	$\overline{\text{REJECT}}$ width low	1	—	CLK
138	CLKO1 low to $\overline{\text{SDACK}}$ asserted <sup>2</sup>	—	20	ns
139	CLKO1 low to $\overline{\text{SDACK}}$ negated <sup>2</sup>	—	20	ns

<sup>1</sup> The ratios SYNCCLK/RCLK1 and SYNCCLK/TCLK1 must be greater than or equal to 2/1.

<sup>2</sup>  $\overline{\text{SDACK}}$  is asserted whenever the SDMA writes the incoming frame DA into memory.

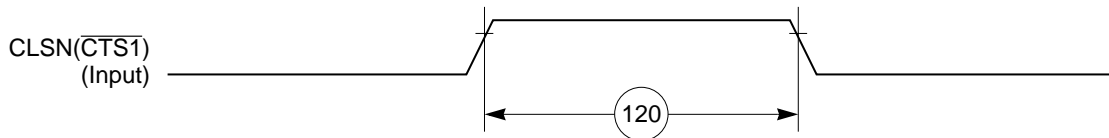


Figure 58. Ethernet Collision Timing Diagram

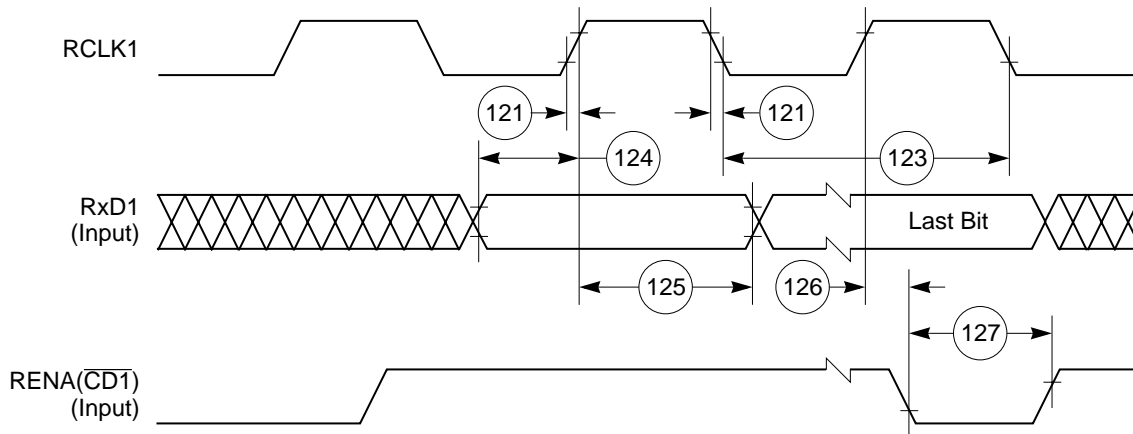
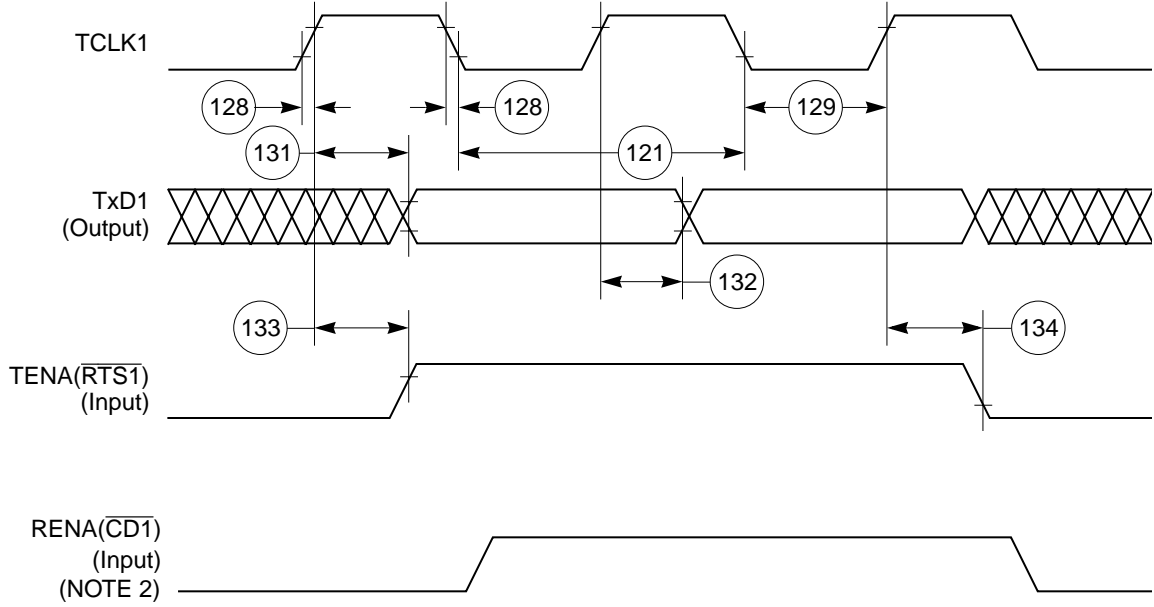


Figure 59. Ethernet Receive Timing Diagram



- NOTES:
1. Transmit clock invert (TCI) bit in GSMR is set.
  2. If RENA is deasserted before TENA, or RENA is not asserted at all during transmit, then the CSL bit is set in the buffer descriptor at the end of the frame transmission.

Figure 60. Ethernet Transmit Timing Diagram

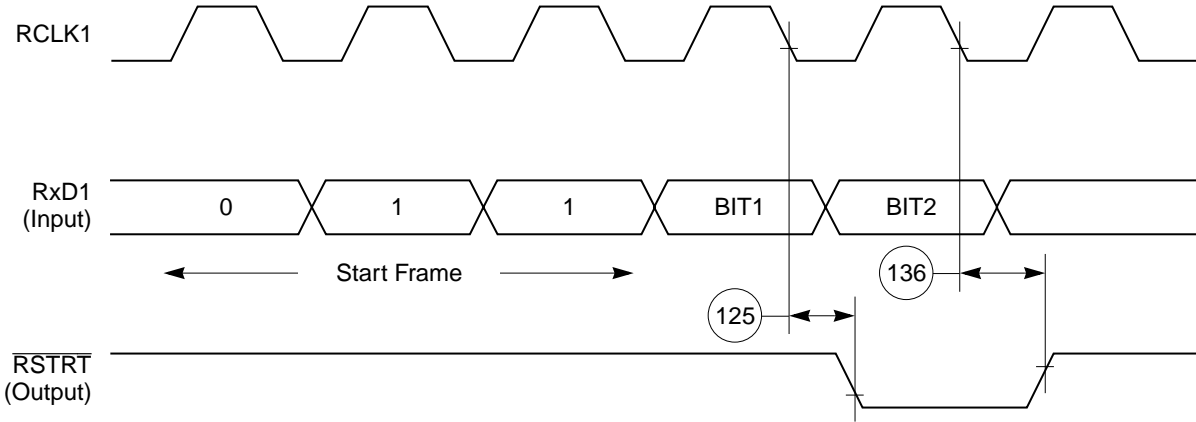


Figure 61. CAM Interface Receive Start Timing Diagram



Figure 62. CAM Interface REJECT Timing Diagram

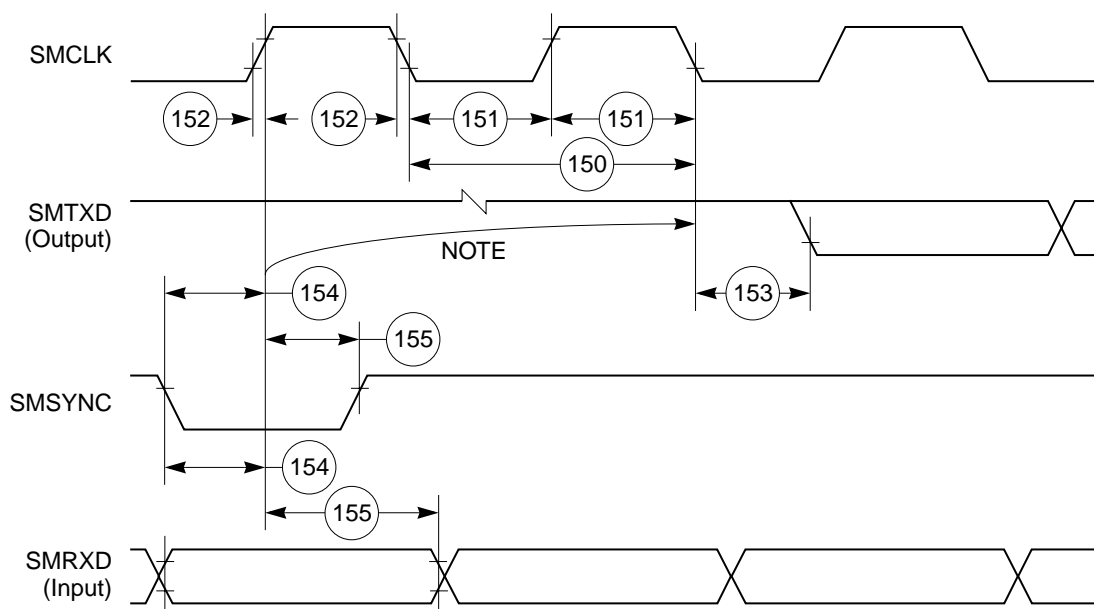
## 11.9 SMC Transparent AC Electrical Specifications

Table 22 provides the SMC transparent timings as shown in Figure 63.

**Table 22. SMC Transparent Timing**

Num	Characteristic	All Frequencies		Unit
		Min	Max	
150	SMCLK clock period <sup>1</sup>	100	—	ns
151	SMCLK width low	50	—	ns
151A	SMCLK width high	50	—	ns
152	SMCLK rise/fall time	—	15	ns
153	SMTXD active delay (from SMCLK falling edge)	10	50	ns
154	SMRXD/SMSYNC setup time	20	—	ns
155	RXD1/SMSYNC hold time	5	—	ns

<sup>1</sup> SYNCCLK must be at least twice as fast as SMCLK.



NOTE:

1. This delay is equal to an integer number of character-length clocks.

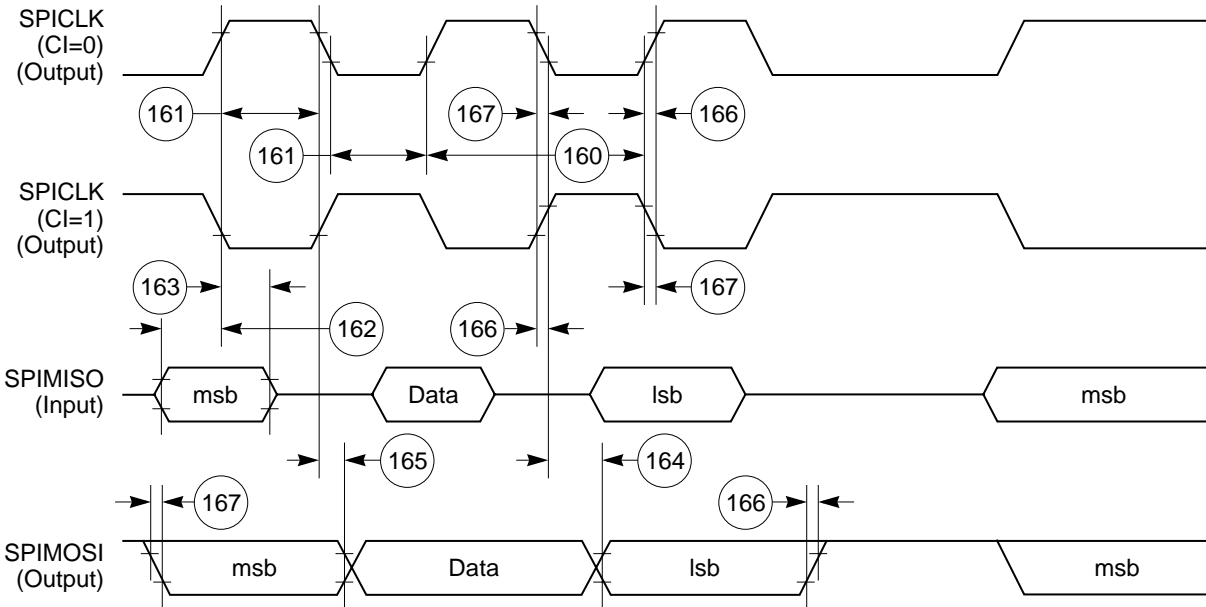
**Figure 63. SMC Transparent Timing Diagram**

# 11.10 SPI Master AC Electrical Specifications

Table 23 provides the SPI master timings as shown in Figure 64 and Figure 65.

**Table 23. SPI Master Timing**

Num	Characteristic	All Frequencies		Unit
		Min	Max	
160	MASTER cycle time	4	1024	$t_{cyc}$
161	MASTER clock (SCK) high or low time	2	512	$t_{cyc}$
162	MASTER data setup time (inputs)	50	—	ns
163	Master data hold time (inputs)	0	—	ns
164	Master data valid (after SCK edge)	—	20	ns
165	Master data hold time (outputs)	0	—	ns
166	Rise time output	—	15	ns
167	Fall time output	—	15	ns



**Figure 64. SPI Master (CP = 0) Timing Diagram**

## CPM Electrical Characteristics

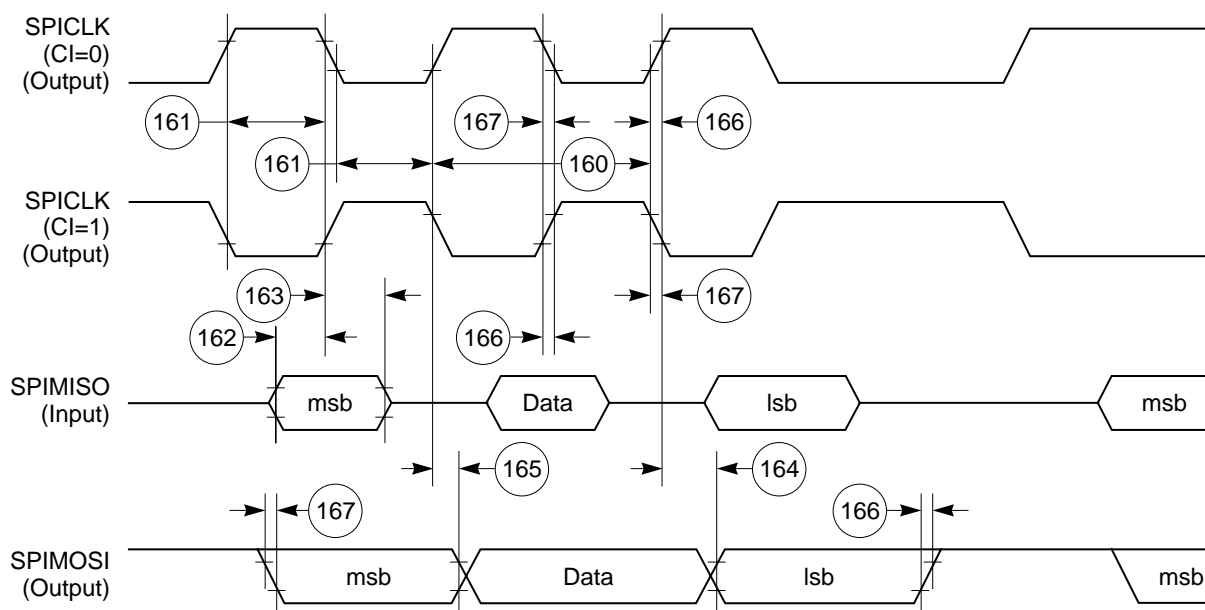


Figure 65. SPI Master (CP = 1) Timing Diagram

## 11.11 SPI Slave AC Electrical Specifications

Table 24 provides the SPI slave timings as shown in Figure 66 and Figure 67.

Table 24. SPI Slave Timing

Num	Characteristic	All Frequencies		Unit
		Min	Max	
170	Slave cycle time	2	—	$t_{cyc}$
171	Slave enable lead time	15	—	ns
172	Slave enable lag time	15	—	ns
173	Slave clock (SPICLK) high or low time	1	—	$t_{cyc}$
174	Slave sequential transfer delay (does not require deselect)	1	—	$t_{cyc}$
175	Slave data setup time (inputs)	20	—	ns
176	Slave data hold time (inputs)	20	—	ns
177	Slave access time	—	50	ns

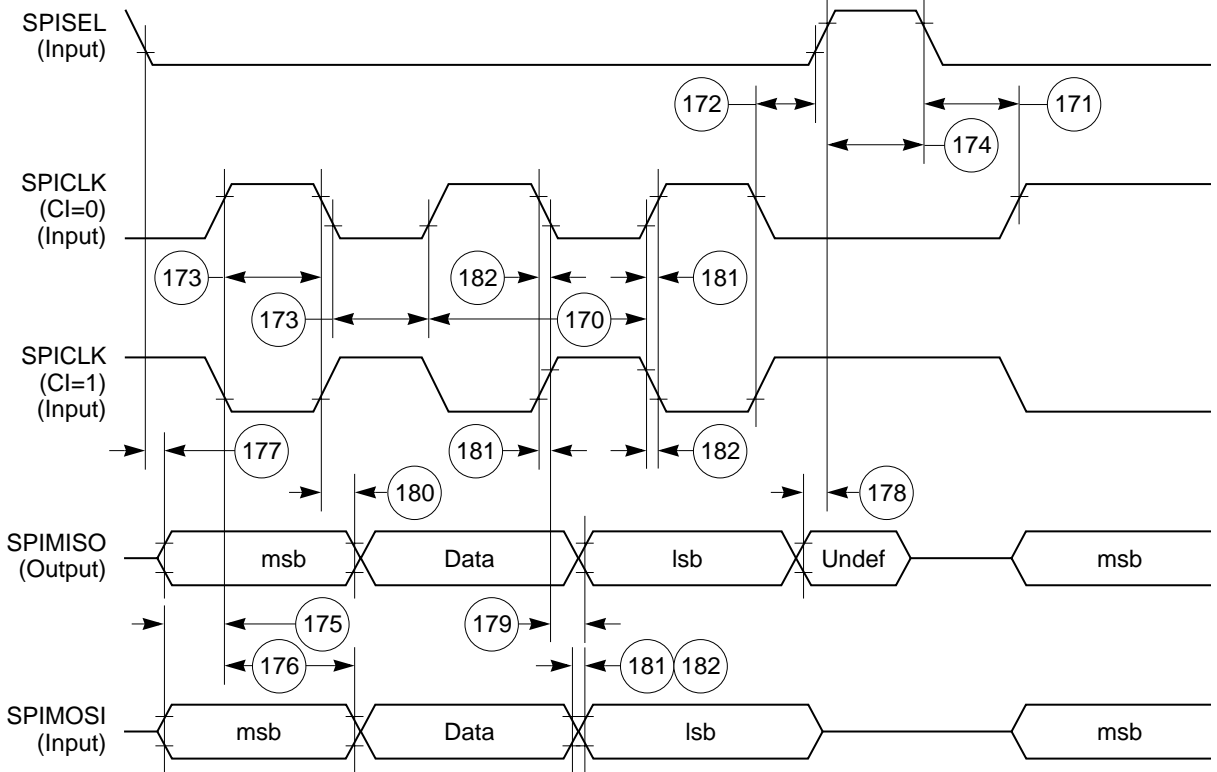


Figure 66. SPI Slave (CP = 0) Timing Diagram

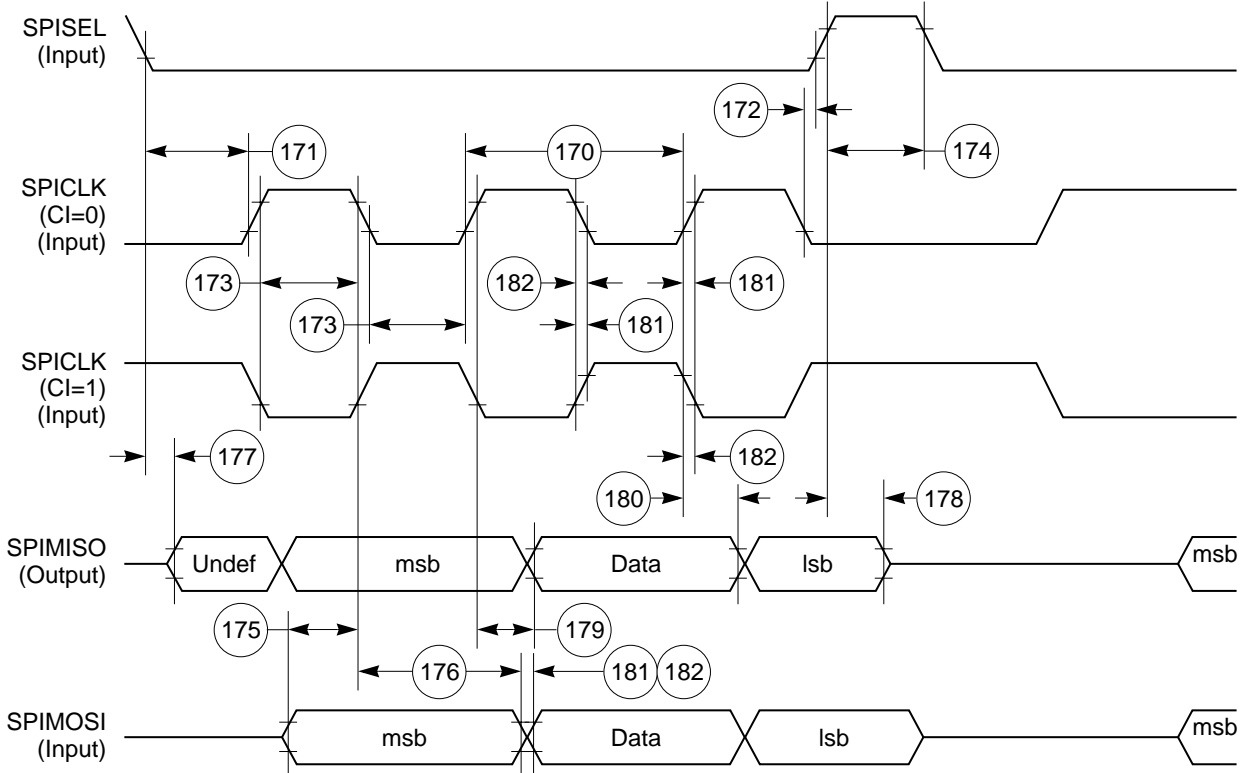


Figure 67. SPI Slave (CP = 1) Timing Diagram

## 11.12 I<sup>2</sup>C AC Electrical Specifications

Table 25 provides the I<sup>2</sup>C (SCL < 100 kHz) timings.

**Table 25. I<sup>2</sup>C Timing (SCL < 100 kHz)**

Num	Characteristic	All Frequencies		Unit
		Min	Max	
200	SCL clock frequency (slave)	0	100	kHz
200	SCL clock frequency (master) <sup>1</sup>	1.5	100	kHz
202	Bus free time between transmissions	4.7	—	μs
203	Low period of SCL	4.7	—	μs
204	High period of SCL	4.0	—	μs
205	Start condition setup time	4.7	—	μs
206	Start condition hold time	4.0	—	μs
207	Data hold time	0	—	μs
208	Data setup time	250	—	ns
209	SDL/SCL rise time	—	1	μs
210	SDL/SCL fall time	—	300	ns
211	Stop condition setup time	4.7	—	μs

<sup>1</sup> SCL frequency is given by  $SCL = BRGCLK\_frequency / ((BRG\ register + 3 \times pre\_scaler \times 2))$ .  
The ratio  $SYNCCLK/(BRGCLK / pre\_scaler)$  must be greater than or equal to 4/1.



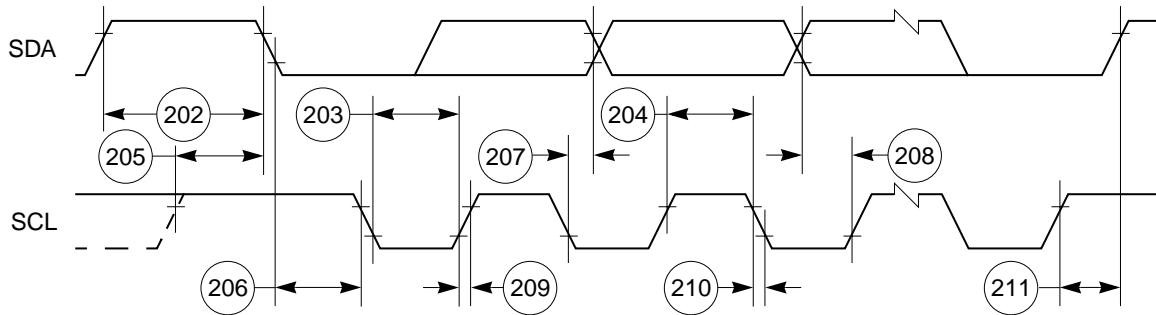
Table 26 provides the I<sup>2</sup>C (SCL > 100 kHz) timings.

**Table 26. . I<sup>2</sup>C Timing (SCL > 100 kHz)**

Num	Characteristic	Expression	All Frequencies		Unit
			Min	Max	
200	SCL clock frequency (slave)	fSCL	0	BRGCLK/48	Hz
200	SCL clock frequency (master) <sup>1</sup>	fSCL	BRGCLK/16512	BRGCLK/48	Hz
202	Bus free time between transmissions		1/(2.2 * fSCL)	—	s
203	Low period of SCL		1/(2.2 * fSCL)	—	s
204	High period of SCL		1/(2.2 * fSCL)	—	s
205	Start condition setup time		1/(2.2 * fSCL)	—	s
206	Start condition hold time		1/(2.2 * fSCL)	—	s
207	Data hold time		0	—	s
208	Data setup time		1/(40 * fSCL)	—	s
209	SDL/SCL rise time		—	1/(10 * fSCL)	s
210	SDL/SCL fall time		—	1/(33 * fSCL)	s
211	Stop condition setup time		1/2(2.2 * fSCL)	—	s

<sup>1</sup> SCL frequency is given by  $SCL = BRGCLK\_frequency / ((BRG\ register + 3) \times pre\_scaler \times 2)$ .  
The ratio SYNCCLK/(BRGCLK / pre\_scaler) must be greater than or equal to 4/1.

Figure 68 shows the I<sup>2</sup>C bus timing.



**Figure 68. I<sup>2</sup>C Bus Timing Diagram**

## 12 UTOPIA AC Electrical Specifications

Table 27 shows the AC electrical specifications for the UTOPIA interface.

**Table 27. UTOPIA AC Electrical Specifications**

Num	Signal Characteristic	Direction	Min	Max	Unit
U1	UtpClk rise/fall time (Internal clock option)	Output	—	3.5	ns
	Duty cycle		50	50	%
	Frequency		—	50	MHz

## UTOPIA AC Electrical Specifications

Table 27. UTOPIA AC Electrical Specifications (continued)

Num	Signal Characteristic	Direction	Min	Max	Unit
U1a	UtpClk rise/fall time (external clock option)	Input	—	3.5	ns
	Duty cycle		40	60	%
	Frequency		—	50	MHz
U2	$\overline{\text{RxEnb}}$ and $\overline{\text{TxEnb}}$ active delay	Output	2	16	ns
U3	UTPB, SOC, Rxclav and Txclav setup time	Input	8	—	ns
U4	UTPB, SOC, Rxclav and Txclav hold time	Input	1	—	ns
U5	UTPB, SOC active delay (and PHREQ and PHSEL active delay in MPHY mode)	Output	2	16	ns

Figure 69 shows signal timings during UTOPIA receive operations.

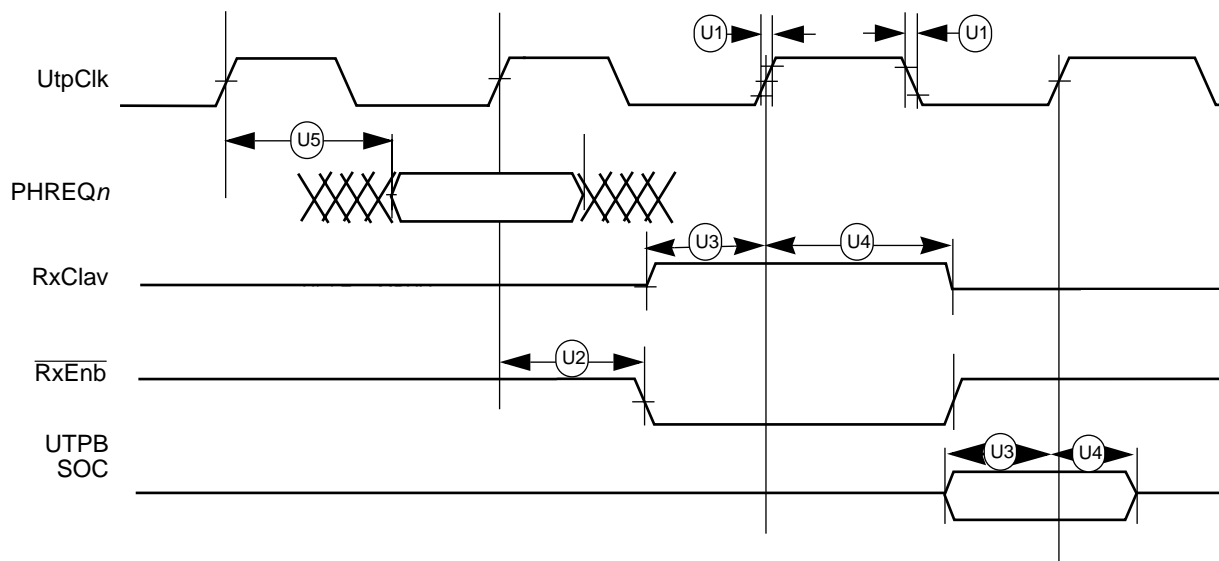


Figure 69. UTOPIA Receive Timing

Figure 70 shows signal timings during UTOPIA transmit operations.

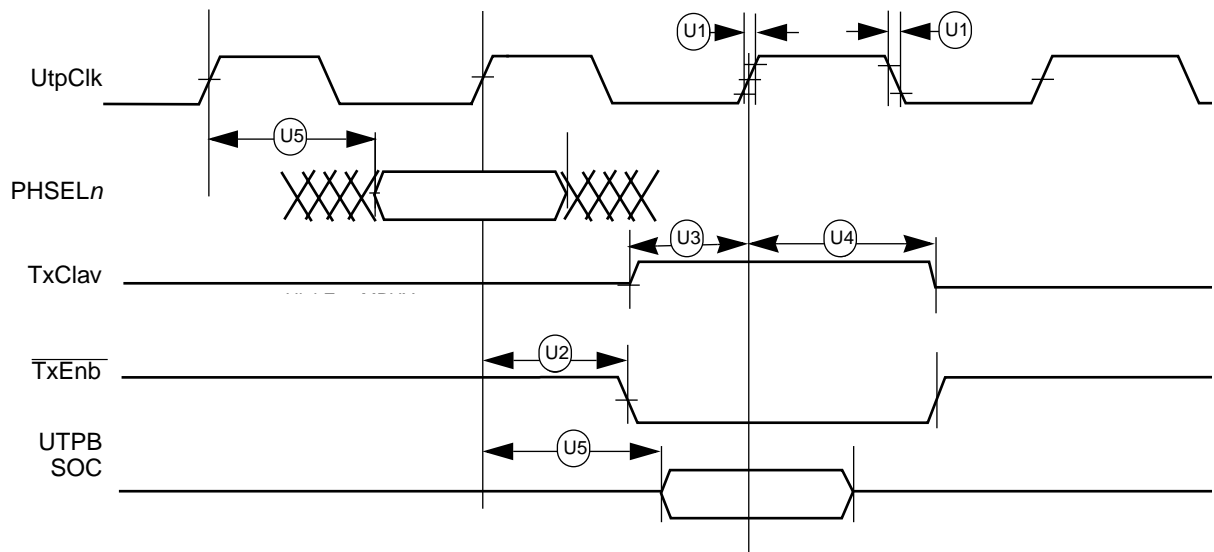


Figure 70. UTOPIA Transmit Timing

## 13 FEC Electrical Characteristics

This section provides the AC electrical specifications for the Fast Ethernet controller (FEC). Note that the timing specifications for the MII signals are independent of system clock frequency (part speed designation). Also, MII signals use TTL signal levels compatible with devices operating at either 5.0 V or 3.3 V.

### 13.1 MII Receive Signal Timing (MII\_RXD[3:0], MII\_RX\_DV, MII\_RX\_ER, MII\_RX\_CLK)

The receiver functions correctly up to a MII\_RX\_CLK maximum frequency of 25 MHz +1%. There is no minimum frequency requirement. In addition, the processor clock frequency must exceed the MII\_RX\_CLK frequency – 1%.

Table 28 provides information on the MII receive signal timing.

Table 28. MII Receive Signal Timing

Num	Characteristic	Min	Max	Unit
M1	MII_RXD[3:0], MII_RX_DV, MII_RX_ER to MII_RX_CLK setup	5	—	ns
M2	MII_RX_CLK to MII_RXD[3:0], MII_RX_DV, MII_RX_ER hold	5	—	ns
M3	MII_RX_CLK pulse width high	35%	65%	MII_RX_CLK period
M4	MII_RX_CLK pulse width low	35%	65%	MII_RX_CLK period

## FEC Electrical Characteristics

Figure 71 shows MII receive signal timing.

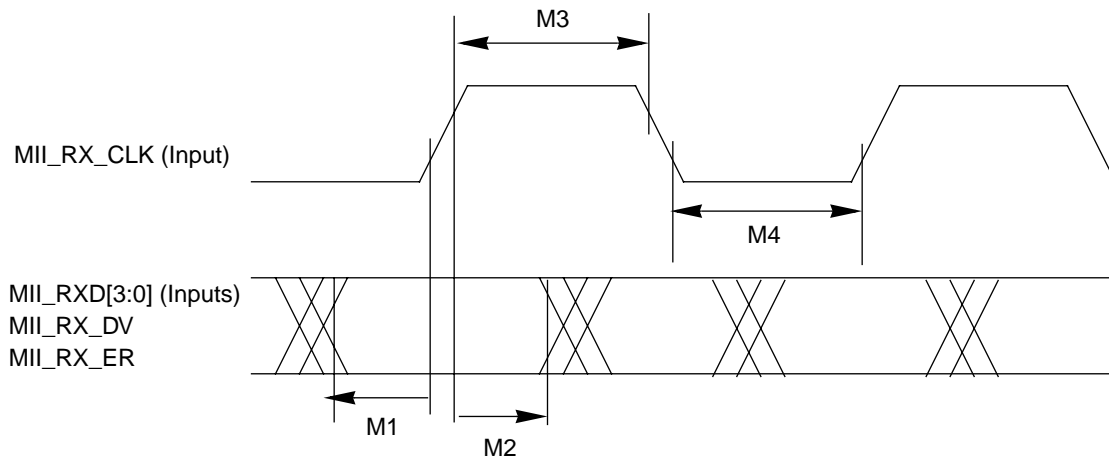


Figure 71. MII Receive Signal Timing Diagram

## 13.2 MII Transmit Signal Timing (MII\_TXD[3:0], MII\_TX\_EN, MII\_TX\_ER, MII\_TX\_CLK)

The transmitter functions correctly up to a MII\_TX\_CLK maximum frequency of 25 MHz +1%. There is no minimum frequency requirement. In addition, the processor clock frequency must exceed the MII\_TX\_CLK frequency – 1%.

Table 29 provides information on the MII transmit signal timing.

Table 29. MII Transmit Signal Timing

Num	Characteristic	Min	Max	Unit
M5	MII_TX_CLK to MII_TXD[3:0], MII_TX_EN, MII_TX_ER invalid	5	—	ns
M6	MII_TX_CLK to MII_TXD[3:0], MII_TX_EN, MII_TX_ER valid	—	25	
M7	MII_TX_CLK pulse width high	35	65%	MII_TX_CLK period
M8	MII_TX_CLK pulse width low	35%	65%	MII_TX_CLK period

Figure 72 shows the MII transmit signal timing diagram.

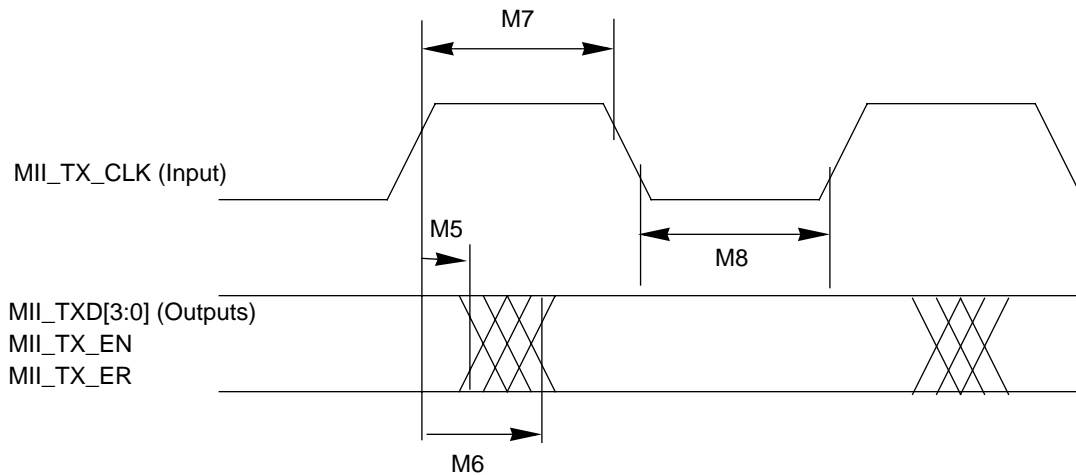


Figure 72. MII Transmit Signal Timing Diagram

### 13.3 MII Async Inputs Signal Timing (MII\_CRCS, MII\_COL)

Table 30 provides information on the MII async inputs signal timing.

Table 30. MII Async Inputs Signal Timing

Num	Characteristic	Min	Max	Unit
M9	MII_CRCS, MII_COL minimum pulse width	1.5	—	MII_TX_CLK period

Figure 73 shows the MII asynchronous inputs signal timing diagram.

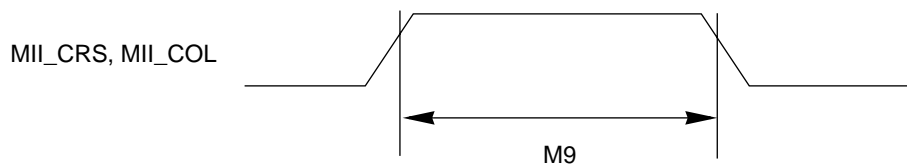


Figure 73. MII Async Inputs Timing Diagram

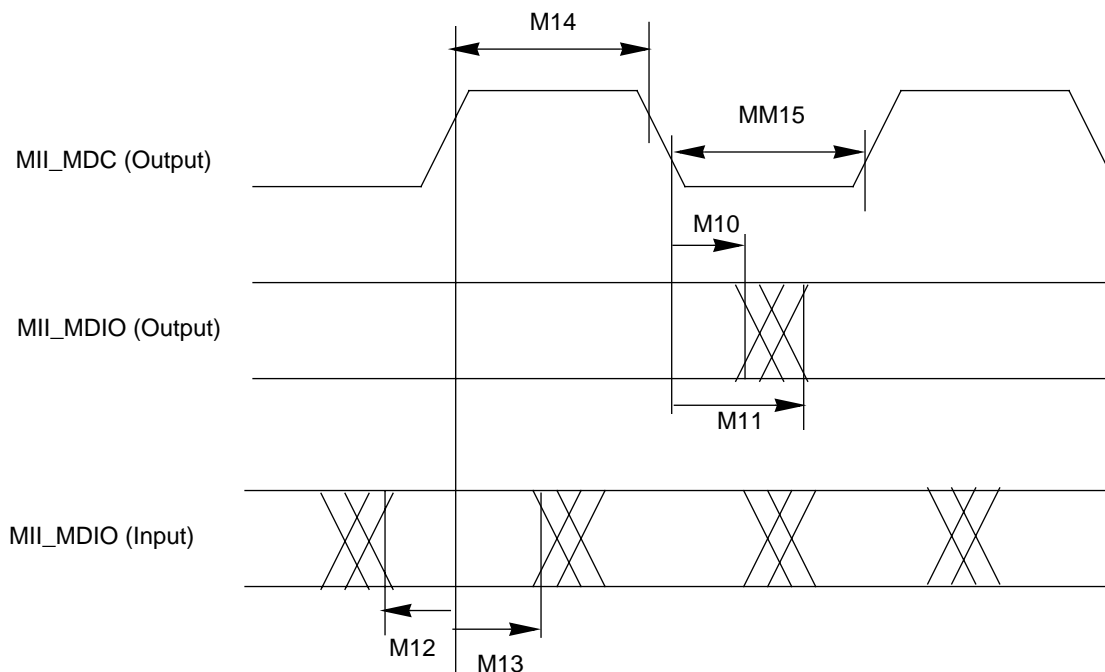
### 13.4 MII Serial Management Channel Timing (MII\_MDIO, MII\_MDC)

Table 31 provides information on the MII serial management channel signal timing. The FEC functions correctly with a maximum MDC frequency in excess of 2.5 MHz. The exact upper bound is under investigation.

**Table 31. MII Serial Management Channel Timing**

Num	Characteristic	Min	Max	Unit
M10	MII_MDC falling edge to MII_MDIO output invalid (minimum propagation delay)	0	—	ns
M11	MII_MDC falling edge to MII_MDIO output valid (max prop delay)	—	25	ns
M12	MII_MDIO (input) to MII_MDC rising edge setup	10	—	ns
M13	MII_MDIO (input) to MII_MDC rising edge hold	0	—	ns
M14	MII_MDC pulse width high	40%	60%	MII_MDC period
M15	MII_MDC pulse width low	40%	60%	MII_MDC period

Figure 74 shows the MII serial management channel timing diagram.



**Figure 74. MII Serial Management Channel Timing Diagram**

## 14 Mechanical Data and Ordering Information

Table 32 provides information on the MPC860 revision D.3 and D.4 derivative devices.

**Table 32. MPC860 Family Revision D.3 and D.4 Derivatives**

Device	Number of SCCs <sup>1</sup>	Ethernet Support <sup>2</sup> (Mbps)	Multichannel HDLC Support	ATM Support
MPC855T	1	10/100	Yes	Yes
MPC860DE	2	10	N/A	N/A
MPC860DT		10/100	Yes	Yes
MPC860DP		10/100	Yes	Yes
MPC860EN	4	10	N/A	N/A
MPC860SR		10	Yes	Yes
MPC860T		10/100	Yes	Yes
MPC860P		10/100	Yes	Yes

<sup>1</sup> Serial communications controller (SCC)

<sup>2</sup> Up to 4 channels at 40 MHz or 2 channels at 25 MHz

## Mechanical Data and Ordering Information

Table 33 identifies the packages and operating frequencies available for the MPC860.

**Table 33. MPC860 Family Package/Frequency Availability**

Package Type	Frequency (MHz)	Temperature (Tj)	Order Number
Ball grid array (ZP suffix)	50	0° to 95°C	XPC860DEZP50nn <sup>1</sup> XPC860DTZP50nn XPC860ENZP50nn XPC860SRZP50nn XPC860TZP50nn XPC855TZP50D4
	66	0° to 95°C	XPC860DEZP66nn XPC860DTZP66nn XPC860ENZP66nn XPC860SRZP66nn XPC860TZP66nn XPC855TZP66D4
	80	0° to 95°C	XPC860DEZP80nn XPC860DTZP80nn XPC860ENZP80nn XPC860SRZP80nn XPC860TZP80nn XPC855TZP80D4
Ball grid array (CZP suffix)	50	-40° to 95°C	XPC860DECZP50nn XPC860DTCZP50nn XPC860ENCZP50nn XPC860SRCZP50nn XPC860TCZP50nn XPC855TCZP50D4
	66	-40° to 95°C	XPC860DECZP66nn XPC860DTCZP66nn XPC860ENCZP66nn XPC860SRCZP66nn XPC860TCZP66nn XPC855TCZP66D4

<sup>1</sup> Where nn specifies version D.3 (as D3) or D.4 (as D4)

Table 34 identifies the packages and operating frequencies available for the MPC860P.

**Table 34. MPC860P Package/Frequency Availability**

Package Type	Frequency (MHz)	Temperature (Tj)	Order Number
Ball grid array (ZP suffix)	50	0° to 95°C	XPC860DPZP50nn <sup>1</sup> XPC860PZP50nn
	66	0° to 95°C	XPC860DPZP66nn XPC860PZP66nn
	80	0° to 95°C	XPC860DPZP80nn XPC860PZP80nn



**Table 34. MPC860P Package/Frequency Availability (continued)**

Ball grid array (CZP suffix)	50	-40° to 95°C	XPC860DPCZP50nn XPC860PCZP50nn
	66	-40° to 95°C	XPC860DPCZP66nn XPC860PCZP66nn

<sup>1</sup> Where nn specifies version D.3 (as D3) or D.4 (as D4)



## 14.2 Mechanical Dimensions of the PBGA Package

Figure 76 shows the mechanical dimensions of the PBGA package.

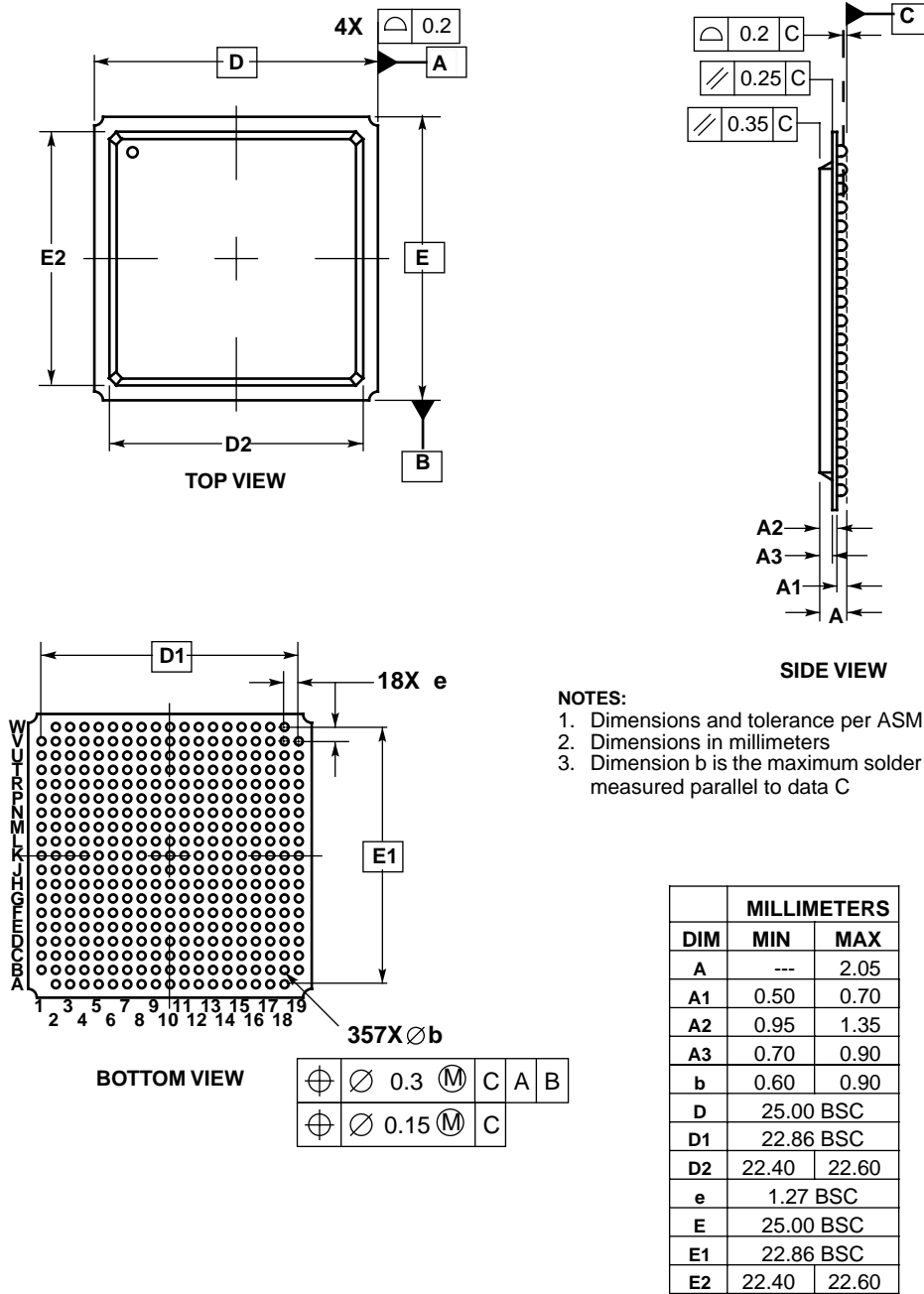


Figure 76. Mechanical Dimensions and Bottom Surface Nomenclature of the PBGA Package

Case No. 1103-01

## 15 Document Revision History

Table 35 lists significant changes between revisions of this hardware specification.

**Table 35. Document Revision History**

Revision	Date	Changes
5.1	11/2001	Revised template format, removed references to MAC functionality, changed Table 6 B23 max value @ 66 MHz from 2ns to 8ns, added this revision history table
6	10/2002	Added the MPC855T. Corrected Figure 25 on page 35.
6.1	11/2002	<ul style="list-style-type: none"> <li>• Corrected UTOPIA RXenb* and TXenb* timing values</li> <li>• Changed incorrect usage of Vcc to Vdd</li> <li>• Corrected dual port RAM to 8 Kbytes</li> </ul>
6.2	8/2003	<ul style="list-style-type: none"> <li>• Changed B28a through B28d and B29d to show that TRLX can be 0 or 1</li> <li>• Changed reference documentation to reflect the Rev 2 MPC860 PowerQUICC Family Users Manual</li> <li>• Nontechnical reformatting</li> </ul>
6.3	9/2003	<ul style="list-style-type: none"> <li>• Added Section 11.2 on the Port C interrupt pins</li> <li>• Nontechnical reformatting</li> </ul>

**THIS PAGE INTENTIONALLY LEFT BLANK**

**THIS PAGE INTENTIONALLY LEFT BLANK**

**THIS PAGE INTENTIONALLY LEFT BLANK**

**HOW TO REACH US:**

**USA/EUROPE/LOCATIONS NOT LISTED:**

Motorola Literature Distribution  
P.O. Box 5405, Denver, Colorado 80217  
1-480-768-2130  
(800) 521-6274

**JAPAN:**

Motorola Japan Ltd.  
SPS, Technical Information Center  
3-20-1, Minami-Azabu Minato-ku  
Tokyo 106-8573 Japan  
81-3-3440-3569

**ASIA/PACIFIC:**

Motorola Semiconductors H.K. Ltd.  
Silicon Harbour Centre, 2 Dai King Street  
Tai Po Industrial Estate, Tai Po, N.T., Hong Kong  
852-26668334

**TECHNICAL INFORMATION CENTER:**

(800) 521-6274

**HOME PAGE:**

[www.motorola.com/semiconductors](http://www.motorola.com/semiconductors)

Information in this document is provided solely to enable system and software implementers to use Motorola products. There are no express or implied copyright licenses granted hereunder to design or fabricate any integrated circuits or integrated circuits based on the information in this document.

Motorola reserves the right to make changes without further notice to any products herein.

Motorola makes no warranty, representation or guarantee regarding the suitability of its products for any particular purpose, nor does Motorola assume any liability arising out of the application or use of any product or circuit, and specifically disclaims any and all liability, including without limitation consequential or incidental damages. "Typical" parameters which may be provided in Motorola data sheets and/or specifications can and do vary in different applications and actual performance may vary over time. All operating parameters, including "Typicals" must be validated for each customer application by customer's technical experts. Motorola does not convey any license under its patent rights nor the rights of others. Motorola products are not designed, intended, or authorized for use as components in systems intended for surgical implant into the body, or other applications intended to support or sustain life, or for any other application in which the failure of the Motorola product could create a situation where personal injury or death may occur. Should Buyer purchase or use Motorola products for any such unintended or unauthorized application, Buyer shall indemnify and hold Motorola and its officers, employees, subsidiaries, affiliates, and distributors harmless against all claims, costs, damages, and expenses, and reasonable attorney fees arising out of, directly or indirectly, any claim of personal injury or death associated with such unintended or unauthorized use, even if such claim alleges that Motorola was negligent regarding the design or manufacture of the part.



Motorola and the Stylized M Logo are registered in the U.S. Patent and Trademark Office. digital dna is a trademark of Motorola, Inc. The described product contains a PowerPC processor core. The PowerPC name is a trademark of IBM Corp. and used under license. All other product or service names are the property of their respective owners. Motorola, Inc. is an Equal Opportunity/Affirmative Action Employer.

© Motorola, Inc. 2003

MPC860EC