

UHF band VCO

**Description**

The 1T367 is a variable capacitance diode housed in super miniature package, designed for UHF band VCO.

**Features**

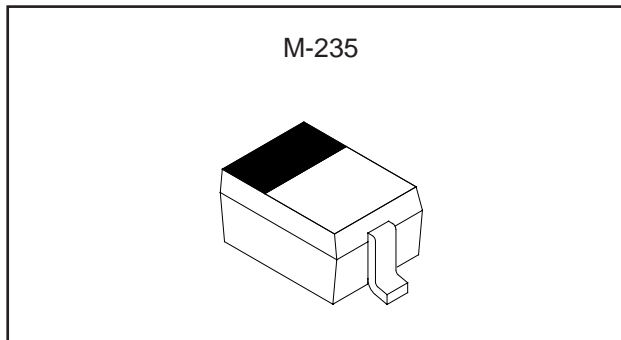
- Super miniature package
- Small series resistance  
rs=0.3 Ω (Typ.)

**Applications**

- UHF band VCO
- Local oscillator for telephone
- Local oscillator for cellular systems

**Structure**

Silicon epitaxial planar type diode



**Absolute Maximum Ratings** (Ta=25 °C)

- Reverse voltage  $V_R$  15 V
- Operating temperature  $T_{opr}$  -35 to +85 °C
- Storage temperature  $T_{stg}$  -65 to +150 °C

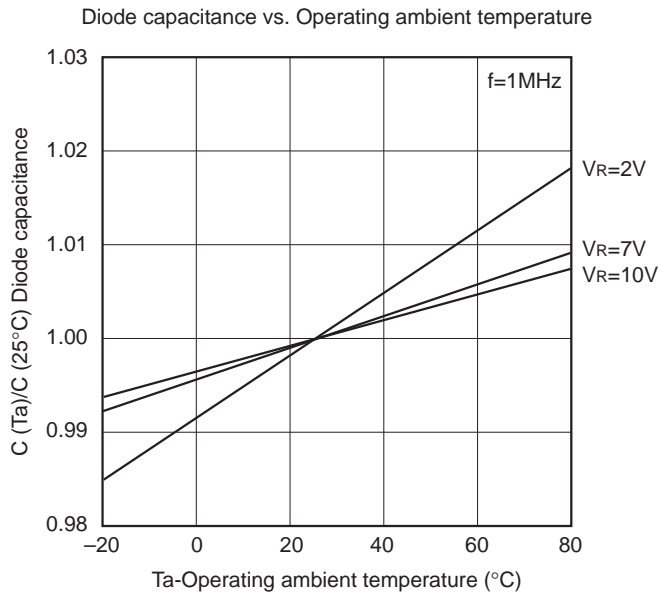
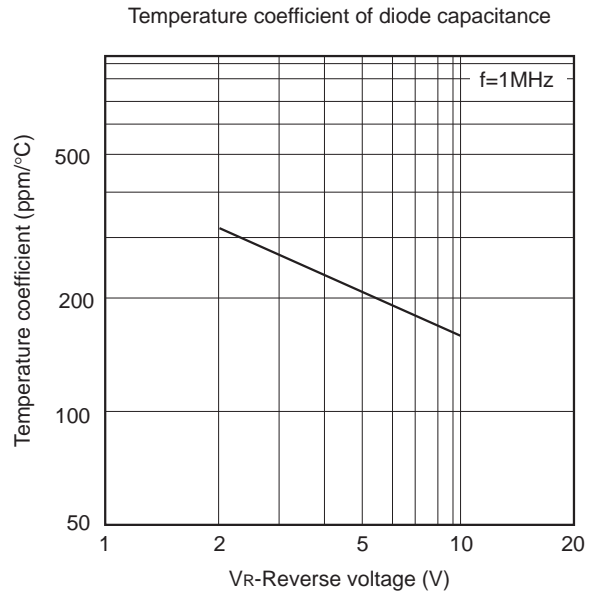
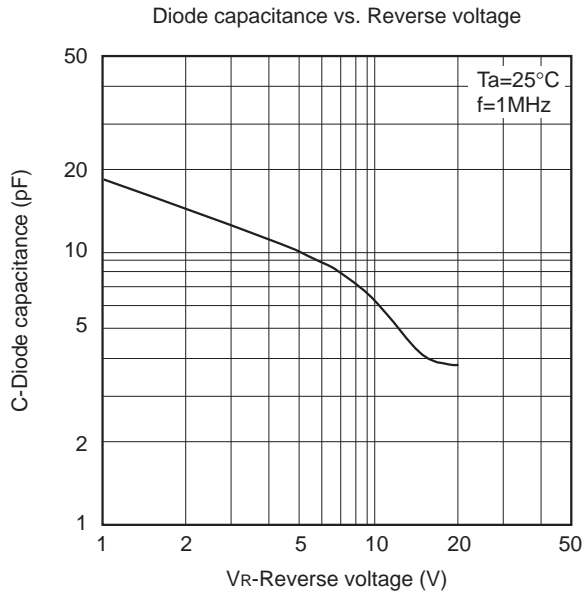
**Electrical Characteristics**

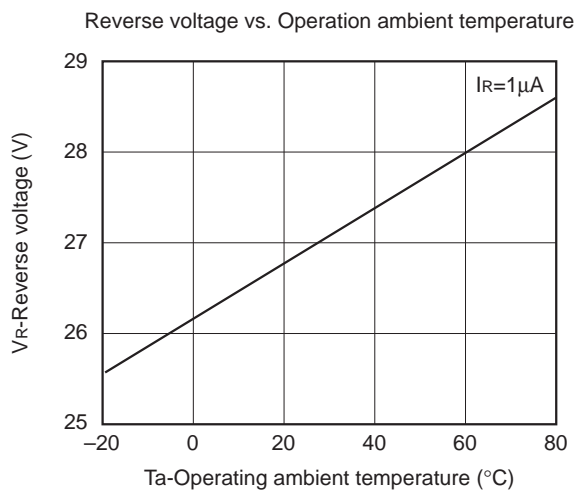
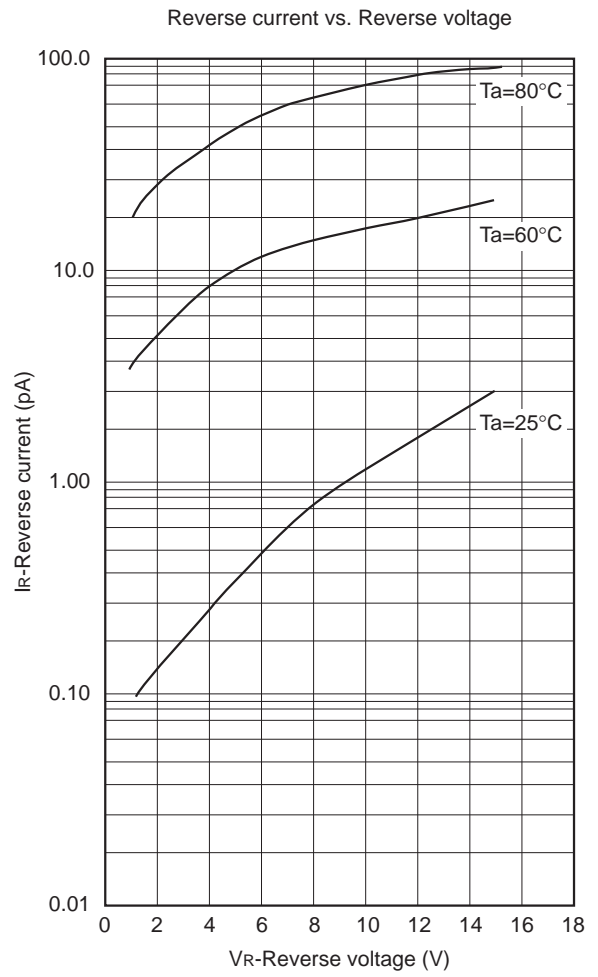
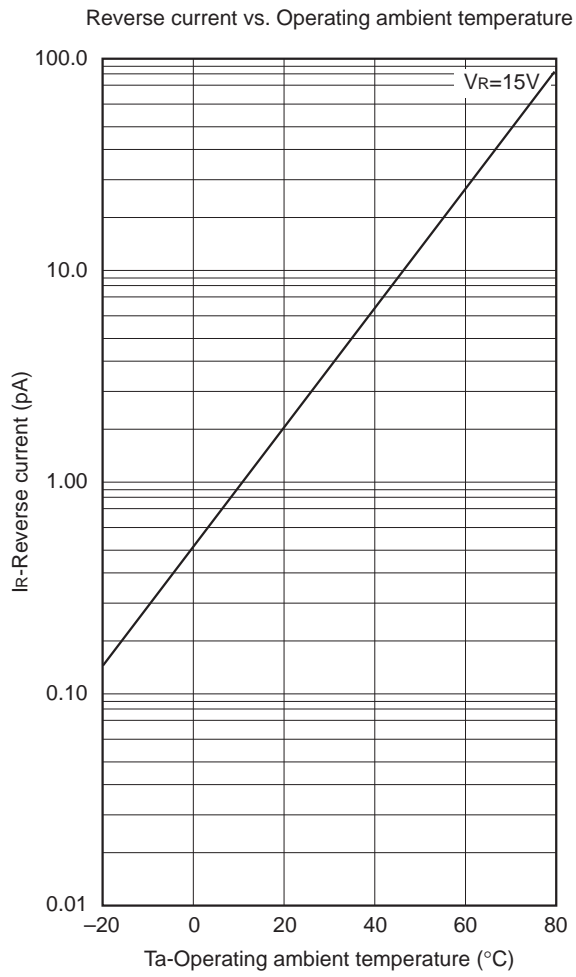
(Ta=25 °C)

Item	Symbol	Conditions	Min.	Typ.	Max.	Unit
Reverse current	$I_R$	$V_R=15\text{ V}$			3	nA
Diode capacitance	$C_2$	$V_R=2\text{ V}, f=1\text{ MHz}$	14.3	15.0	16.0	pF
	$C_{10}$	$V_R=10\text{ V}, f=1\text{ MHz}$	5.5	6.0	6.5	pF
Capacitance ratio	$C_2/C_{10}$		2.2	2.5		
Series resistance	rs	$V_R=5\text{ V}, f=470\text{ MHz}$		0.3	0.4	Ω

Sony reserves the right to change products and specifications without prior notice. This information does not convey any license by any implication or otherwise under any patents or other right. Application circuits shown, if any, are typical examples illustrating the operation of the devices. Sony cannot assume responsibility for any problems arising out of the use of these circuits.

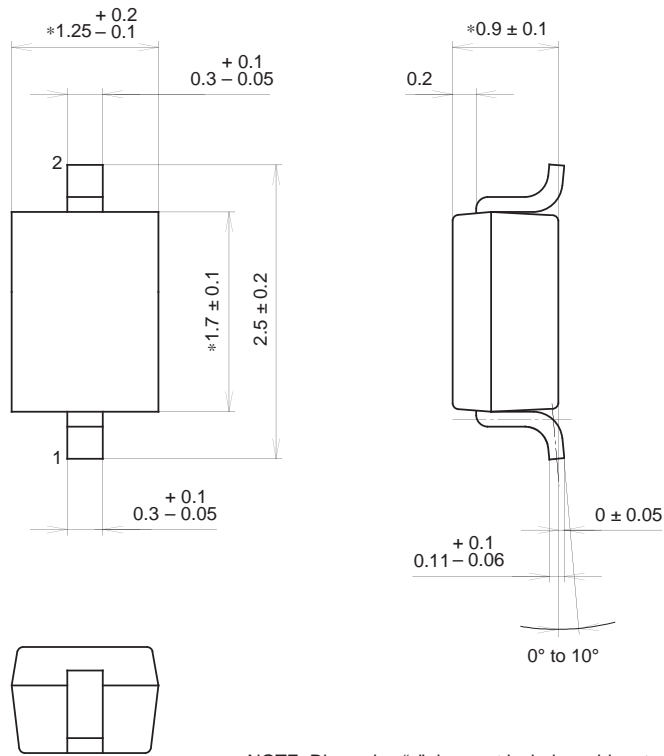
Example of Representative Characteristics





Package Outline Unit : mm

M-235

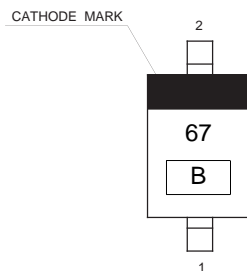


NOTE: Dimension "\*" does not include mold protrusion.

SONY CODE	M-235
EIAJ CODE	_____
JEDEC CODE	_____

PACKAGE WEIGHT	0.1g
----------------	------

Marking



- Notes
- 1) B: Lot No. (Year and Month of manufacture)  
Year; Last one digit  
Month; A, B, C (for Oct. to Dec.)  
1 to 9 (for Jan. to Sept.)

This datasheet has been download from:

[www.datasheetcatalog.com](http://www.datasheetcatalog.com)

Datasheets for electronics components.