

DATA SHEET



SAA8115HL Digital camera USB interface

Preliminary specification
Supersedes data of 1999 Jun 28
File under Integrated Circuits, IC22

2000 Jan 27

Digital camera USB interface**SAA8115HL**

CONTENTS	10	LIMITING VALUES
1 FEATURES	11	THERMAL CHARACTERISTICS
2 APPLICATIONS	12	OPERATING CHARACTERISTICS
3 GENERAL DESCRIPTION	13	TIMING
4 ORDERING INFORMATION	14	APPLICATION INFORMATION
5 QUICK REFERENCE DATA	15	PACKAGE OUTLINE
6 BLOCK DIAGRAM	16	SOLDERING
7 PINNING	16.1	Introduction to soldering surface mount packages
8 FUNCTIONAL DESCRIPTION	16.2	Reflow soldering
8.1 Video synchronization	16.3	Wave soldering
8.2 Frame rate converter and SDRAM interface	16.4	Manual soldering
8.3 Video formatter: downsampler and cutter	16.5	Suitability of surface mount IC packages for wave and reflow soldering methods
8.4 Compression engine		
8.5 Transfer buffer	17	DEFINITIONS
8.6 USB video FIFO	18	LIFE SUPPORT APPLICATIONS
8.7 PSIE-MMU, I ² C-bus interface and USB RAM space	19	PURCHASE OF PHILIPS I²C COMPONENTS
8.8 ATX interface		
8.9 Audio		
8.10 Sensor pulse pattern generator		
8.11 Power management		
8.12 Power supply		
9 CONTROL REGISTER DESCRIPTION		
9.1 SNERT (UART)		
9.2 I ² C-bus interface		

Digital camera USB interface

SAA8115HL

1 FEATURES

- VGA (progressive mode), CIF and medium resolution (PAL non-interlaced mode) CCD sensors compliant
- D1 digital video input (8 bits YUV 4 : 2 : 2 time multiplexed)
- Internal Pulse Pattern Generator (PPG) dedicated for VGA Panasonic, CIF and medium resolution Sharp sensors or compatibles, and frame rate selection
- Frame rate converter
- SDRAM interface for high quality VGA snapshot (uncompressed 4 : 2 : 2 or 4 : 2 : 0)
- Downsampler and scaler (programmable formatter for CIF, QCIF, sub-QCIF, SIF and QSIF) controlled via SNERT (UART) interface
- Flexible compression engine controlled via SNERT (UART) interface
- Selectable output frame rate (up to 15 fps in VGA, up to 30 fps in CIF and QCIF)
- Video packetizer FIFO
- I²C-bus interface for communication between the USB protocol hardware and the external microcontroller
- Microphone/audio input to USB (microphone supply, controllable gain and ADC)
- Integrated analog bus driver (ATX)
- Integrated main oscillator
- Integrated 5 V power supply and reset circuit including functionalities for bus-powered USB device
- Programmable (frequency and duty cycle) switch mode power signal for CCD supply
- Miscellaneous functions (e.g. power management, PLL for audio frequencies).



2 APPLICATIONS

Low-cost desktop video applications with USB interface.

3 GENERAL DESCRIPTION

The SAA8115HL is the second generation of integrated circuit applicable in PC video cameras to convert D1 video signals and analog audio signals to properly formatted USB packets.

This powerful successor of the SAA8117HL can handle up to 15 fps in VGA format or 30 fps in CIF format. High snapshot quality is achievable using the SDRAM interface to an external memory.

It is designed as a back-end of the SAA8112HL (general camera digital processing IC) and is optimized for use with the TDA8784 to TDA8787 (camera pre-processing ICs).

Digital camera USB interface

SAA8115HL

4 ORDERING INFORMATION

TYPE NUMBER	PACKAGE		
	NAME	DESCRIPTION	VERSION
SAA8115HL	LQFP144	plastic low profile quad flat package; 144 leads; body 20 × 20 × 1.4 mm	SOT486-1

5 QUICK REFERENCE DATA

Measured over full voltage and temperature range

SYMBOL	PARAMETER	CONDITIONS	MIN.	TYP.	MAX.	UNIT
V_{DDD}	digital supply voltage		3.0	3.3	3.6	V
V_{DDA}	analog supply voltage		3.0	3.3	3.6	V
V_{DDA_USB}	analog supply voltage from USB	note 1	4.0	5.0	5.5	V
$I_{DD(tot)}$	total supply current	$V_{DDD} = 3.3\text{ V}$	–	–	tbf	mA
V_I	input signal levels	$3.0\text{ V} < V_{DDD} < 3.6\text{ V}$	low voltage TTL compatible			V
V_O	output signal levels	$3.0\text{ V} < V_{DDD} < 3.6\text{ V}$	low voltage TTL compatible			V
f_{clk}	clock frequency		–	48	–	MHz
P_{tot}	total power dissipation	$T_{amb} = 25\text{ °C}$	–	–	tbf	mW
T_{stg}	storage temperature		–55	–	–	°C
T_{amb}	ambient temperature		0	25	70	°C
T_j	junction temperature	$T_{amb} = 70\text{ °C}$	–40	–	+125	°C

Note

1. This concerns pins VBUS1 and VBUS2.

Digital camera USB interface

SAA8115HL

6 BLOCK DIAGRAM

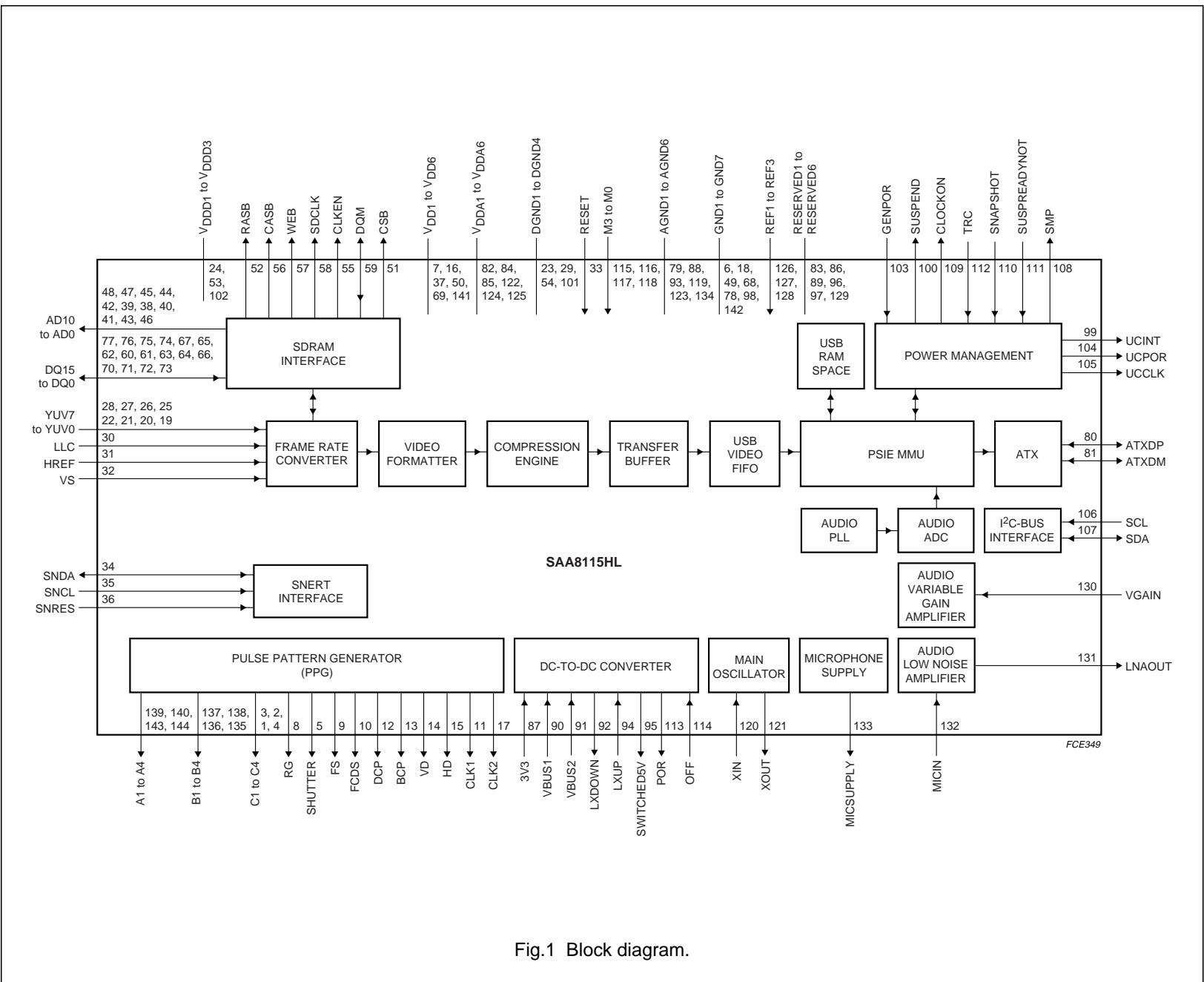


Fig.1 Block diagram.

Digital camera USB interface

SAA8115HL

7 PINNING

SYMBOL	PIN	TYPE ⁽¹⁾	DESCRIPTION
C3	1	O	horizontal CCD transfer pulse output
C2	2	O	horizontal CCD transfer pulse output (FH1)
C1	3	O	horizontal CCD transfer pulse output (FH2)
C4	4	O	horizontal CCD transfer pulse output
SHUTTER	5	O	shutter control output for CCD charge reset
GND1	6	P	ground 1 for output buffers
V _{DD1}	7	P	supply voltage 1 for output buffers
RG	8	O	reset output for CCD output amplifier gate
FS	9	O	data sample-and-hold pulse output to TDA8784/87 (SHD)
FCDS	10	O	preset sample-and-hold pulse output to TDA8784/87 (SHP)
CLK1	11	O	pixel clock to TDA8784/87 and SAA8112HL
DCP	12	O	dummy clamp pulse output to TDA8784/87
BCP	13	O	optical black clamp pulse output to TDA8784/87
VD	14	O	vertical definition pulse to SAA8112HL
HD	15	O	horizontal definition pulse to SAA8112HL
V _{DD2}	16	P	supply voltage 2 for output buffers
CLK2	17	O	double pixel clock to SAA8112HL
GND2	18	P	ground 2 for output buffers
YUV0	19	I	multiplexed YUV bit 0
YUV1	20	I	multiplexed YUV bit 1
YUV2	21	I	multiplexed YUV bit 2
YUV3	22	I	multiplexed YUV bit 3
DGND1	23	P	digital ground 1 for input buffers, predrivers and for the digital core
V _{DDD1}	24	P	digital supply voltage 1 for input buffers, predrivers and one part of the digital core
YUV4	25	I	multiplexed YUV bit 4
YUV5	26	I	multiplexed YUV bit 5
YUV6	27	I	multiplexed YUV bit 6
YUV7	28	I	multiplexed YUV bit 7
DGND2	29	P	digital ground 2 for input buffers, predrivers and for the digital core
LLC	30	I	line-locked clock input (delayed CLK2) for YUV-port from SAA8112HL
HREF	31	I	horizontal reference input for YUV-port from SAA8112HL
VS	32	I	vertical synchronization input for YUV-port from SAA8112HL
RESET	33	I	Power-on reset input (for video processing and PPG)
SNDA	34	I/O	data input/output for SNERT-interface (communication between SAA8115HL and SAA8112HL)
SNCL	35	I	clock input for SNERT-interface (communication between SAA8115HL and SAA8112HL)
SNRES	36	I	reset input for SNERT-interface (communication between SAA8115HL and SAA8112HL)

Digital camera USB interface

SAA8115HL

SYMBOL	PIN	TYPE ⁽¹⁾	DESCRIPTION
V _{DD3}	37	P	supply voltage 3 for output buffers
AD4	38	O	SDRAM output address bit 4
AD5	39	O	SDRAM output address bit 5
AD3	40	O	SDRAM output address bit 3
AD2	41	O	SDRAM output address bit 2
AD6	42	O	SDRAM output address bit 6
AD1	43	O	SDRAM output address bit 1
AD7	44	O	SDRAM output address bit 7
AD8	45	O	SDRAM output address bit 8
AD0	46	O	SDRAM output address bit 0
AD9	47	O	SDRAM output address bit 9
AD10	48	O	SDRAM output address bit 10
GND3	49	P	ground 3 for output buffers
V _{DD4}	50	P	supply voltage 4 for output buffers
CSB	51	O	SDRAM chip select output
RASB	52	O	SDRAM row address strobe output
V _{DD2}	53	P	digital supply voltage 2 for the switchable digital core
DGND3	54	P	digital ground 3 for input buffers, predrivers and for the digital core
CLKEN	55	O	SDRAM clock enable output
CASB	56	O	SDRAM column address strobe output
WEB	57	O	SDRAM write enable output
SDCLK	58	O	SDRAM clock output
DQM	59	I/O	SDRAM data mask enable
DQ8	60	I/O	SDRAM data I/O bit 8
DQ7	61	I/O	SDRAM data I/O bit 7
DQ9	62	I/O	SDRAM data I/O bit 9
DQ6	63	I/O	SDRAM data I/O bit 6
DQ5	64	I/O	SDRAM data I/O bit 5
DQ10	65	I/O	SDRAM data I/O bit 10
DQ4	66	I/O	SDRAM data I/O bit 4
DQ11	67	I/O	SDRAM data I/O bit 11
GND4	68	P	ground 4 for output buffers
V _{DD5}	69	P	supply voltage 5 for output buffers
DQ3	70	I/O	SDRAM data I/O bit 3
DQ2	71	I/O	SDRAM data I/O bit 2
DQ1	72	I/O	SDRAM data I/O bit 1
DQ0	73	I/O	SDRAM data I/O bit 0
DQ12	74	I/O	SDRAM data I/O bit 12
DQ13	75	I/O	SDRAM data I/O bit 13
DQ14	76	I/O	SDRAM data I/O bit 14
DQ15	77	I/O	SDRAM data I/O bit 15

Digital camera USB interface

SAA8115HL

SYMBOL	PIN	TYPE ⁽¹⁾	DESCRIPTION
GND5	78	P	ground 5 for output buffers
AGND1	79	P	analog ground 1 for ATX (transceiver)
ATXDP	80	I/O	positive driver of the differential data pair input/output (ATX)
ATXDM	81	I/O	negative driver of the differential data pair input/output (ATX)
V _{DDA1}	82	P	analog supply voltage 1 for ATX
RESERVED1	83	–	test pin 1 (should not be used)
V _{DDA2}	84	P	analog supply voltage 2 for bandgap (reference)
V _{DDA3}	85	P	analog supply voltage 3 for bandgap, comparator and ring oscillator
RESERVED2	86	–	test pin 2 (should not be used)
3V3	87	I	3V3 detector input signal
AGND2	88	P	analog ground 2 for N-switch
RESERVED3	89	–	test pin 3 (should not be used)
VBUS1	90	I	supply voltage input 1 from the USB
VBUS2	91	I	supply voltage input 2 from the USB
LXDOWN	92	O	LX coil node output (5 V downconverter)
AGND3	93	P	analog ground 3 for N-switch
LXUP	94	I	LX coil node input (5 V upconverter)
SWITCHED5V	95	O	5 V switched power supply
RESERVED4	96	–	test pin 4 (should not be used)
RESERVED5	97	–	test pin 5 (should not be used)
GND6	98	P	ground 6 for output buffers
UCINT	99	O	interrupt output from USB to microcontroller
SUSPEND	100	O	control output from USB protocol hardware to microcontroller
DGND4	101	P	digital ground 4 for input buffers, predrivers and for the digital core
V _{DDD3}	102	P	digital supply voltage 3 for input buffers, predrivers and one part of the digital core
GENPOR	103	I	Power-on reset input (for USB protocol hardware)
UCPOR	104	O	control output from USB protocol hardware to microcontroller
UCCLK	105	O	clock output from USB protocol hardware to microcontroller
SCL	106	I	slave I ² C-bus clock input
SDA	107	I/O	slave I ² C-bus data input/output
SMP	108	O	switch mode power pulse output for CCD supplies
CLOCKON	109	O	control output for main oscillator switched on
SNAPSHOT	110	I	input for remote wake-up (snapshot)
SUSPREADYNOT	111	I	input from microcontroller for SUSPEND mode
TRC	112	I	threshold control input for enabling clock
POR	113	O	3.3 V supply domain ready indicator output
OFF	114	I	disable 5 V switchable supply domain input
M3	115	I	test mode control input signal bit 3
M2	116	I	test mode control input signal bit 2
M1	117	I	test mode control input signal bit 1

Digital camera USB interface

SAA8115HL

SYMBOL	PIN	TYPE ⁽¹⁾	DESCRIPTION
M0	118	I	test mode control input signal bit 0
AGND4	119	P	analog ground 4 for crystal oscillator (48 MHz, 3rd overtone)
XIN	120	I	oscillator input
XOUT	121	O	oscillator output
V _{DDA4}	122	P	analog supply voltage 4 for crystal oscillator (48 MHz, 3rd overtone)
AGND5	123	P	analog ground 5 for PLL
V _{DDA5}	124	P	analog supply voltage 5 for PLL
V _{DDA6}	125	P	analog supply voltage 6 for amplifier and ADC
REF1	126	I	reference voltage 1 (used in the ADC)
REF2	127	I	reference voltage 2 (used in the ADC)
REF3	128	I	reference voltage 3 (used in the amplifier and the ADC)
RESERVED6	129	O	test pin 6 (should not be used)
VGAIN	130	I	variable gain amplifier input
LNAOUT	131	O	low noise amplifier output
MICIN	132	I	microphone input
MICSUPPLY	133	O	microphone supply output
AGND6	134	P	analog ground 6 for amplifier and ADC
B4	135	O	vertical CCD load pulse output (VH1X)
B3	136	O	vertical CCD load pulse output (VH3X)
B1	137	O	vertical CCD load pulse output
B2	138	O	vertical CCD load pulse output
A1	139	O	vertical CCD transfer pulse output (V1X)
A2	140	O	vertical CCD transfer pulse output (V2X)
V _{DD6}	141	P	supply voltage 6 for output buffers
GND7	142	P	ground 7 for output buffers
A3	143	O	vertical CCD transfer pulse output (V3X)
A4	144	O	vertical CCD transfer pulse output (V4X)

Note

1. I = input, O = output and P = power supply.

Digital camera USB interface

SAA8115HL

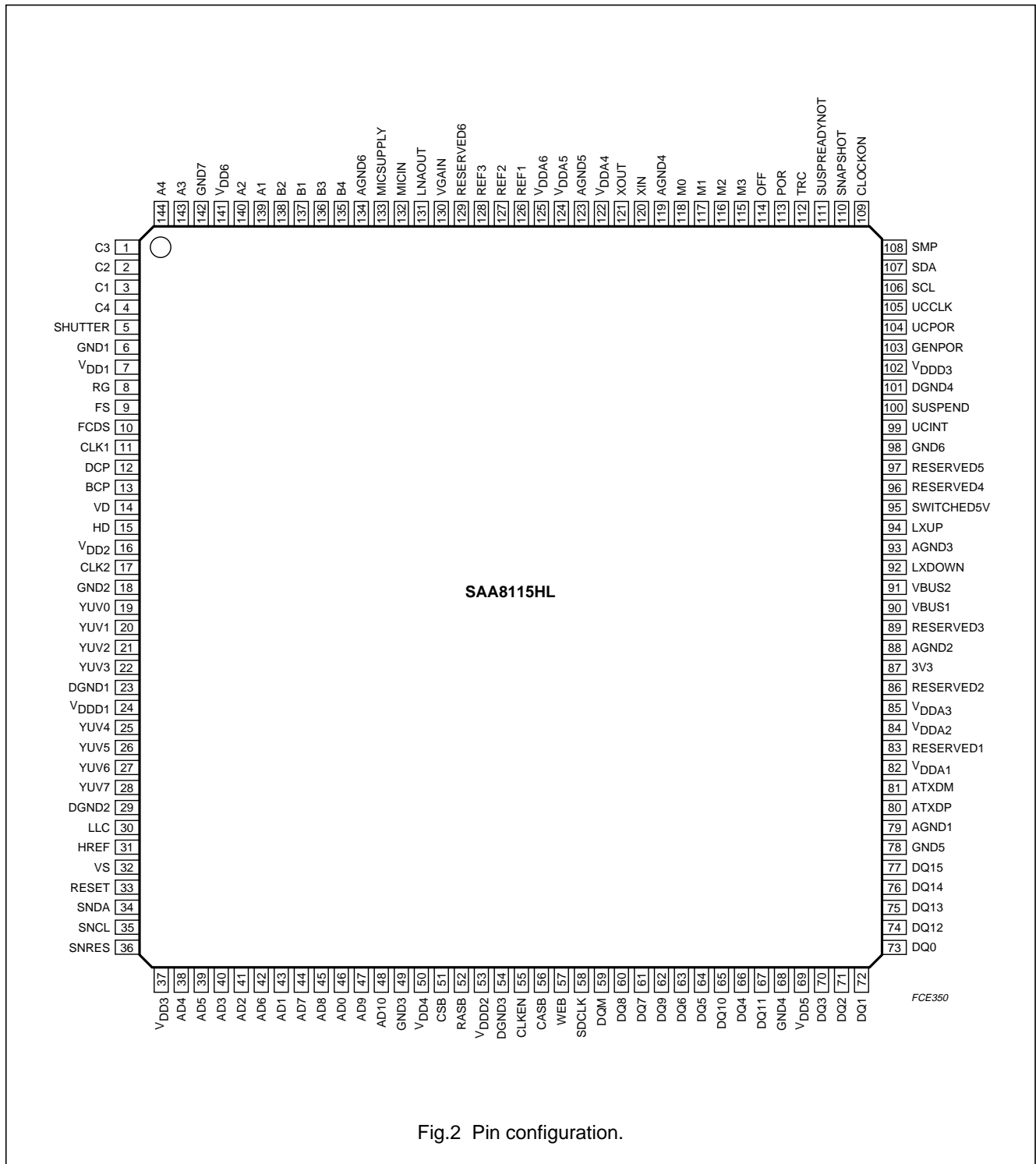


Fig.2 Pin configuration.

Digital camera USB interface

SAA8115HL

8 FUNCTIONAL DESCRIPTION

8.1 Video synchronization

The video synchronization module is capable of locking to the video signal implementing a horizontal gate signal HREF (HREF = HIGH when data is valid) and a VS signal indicating the start of a new video frame.

8.2 Frame rate converter and SDRAM interface

An optional SDRAM (external) can be accessed using the SDRAM interface which is integrated in the SAA8115HL. Pinning and functionality is based on the NEC μ PD4516161 (16 Mbits) and the NEC μ PD4564163 (64 Mbits).

When used, the memory is placed at the video input of the SAA8115HL before prefilter, scaler and compression engine. At this point only YUV 4 : 2 : 2 formatted data is available.

The use of the SDRAM is twofold:

- Lowering the frame rate. The memory enables to store one frame of video accumulated at a specific rate and to read it out at a lower frame rate. For interline VGA sensors, the input frame rate is either 30 fps or 15 fps. It can be lowered with a factor of 2, 3, 6, 16 or 32. For CIF or medium resolution PAL, the input frame rate is only 30 fps
- Enhanced snapshot mode. Storage of full size VGA pictures in 4 : 2 : 2 format which can be retrieved upon dedicated software command.

8.3 Video formatter: downsampler and cutter

This block is used to achieve the required output format from the specified sensor formats (see Fig.3). It works for YUV 4 : 2 : 2 only. In RAW mode this block is by-passed to create a full resolution snapshot.

Horizontally a downsampling from 512 or 640 to either 384, 320, 192 or 160 or from 352 to 176 is necessary. The horizontal downsampling is performed with the use of a Variable Phase Delay filter (VPD-4). This filter can realize the needed downsample factors. To avoid aliasing, this module also contains a prefilter which has four modes:

- No filter for medium resolution PAL (512 \times 288) to CIF (352 \times 288) or SIF (320 \times 240)
- Prefilter A (3 taps) for VGA (640 \times 480) to CIF or SIF, CIF to QCIF (176 \times 144) or QSIF (160 \times 120)
- Prefilter B (7 taps) for medium resolution PAL to QCIF or QSIF
- Prefilter A combined with prefilter B-comb (13 taps) for VGA to QCIF or QSIF.

Prefilter B-comb is similar to prefilter B but inserts extra taps with amplification 0.

The vertical downsampling in PAL mode is from CIF to QCIF only. This is done via a vertical filter A (3 taps). In VGA mode a 4 taps polyphase filter is applied to scale from 640 \times 480 to CIF and QCIF.

From a full size QCIF picture a sub-QCIF (128 \times 96) cut can be made. For the zoomed sub-QCIF format, the origin (upper left corner) is programmable via SNERT in 13 steps (both horizontally and vertically), so that an electronic pan and tilt is possible.

The incoming 4 : 2 : 2 data is vertically filtered to 4 : 2 : 0, in order to be sent over USB, by throwing away colour samples. In the even lines the V-samples are discarded, in the odd lines the U-samples.

Digital camera USB interface

SAA8115HL

8.4 Compression engine

The compression engine module (see Fig.3) can process VGA, CIF, SIF, QCIF and QSIF but has optimal performance with CIF resolution (30 fps) and VGA resolution (5 fps). The algorithm is Philips proprietary. The compression ratio is continuously programmable by setting the maximum number of bits which can be used for 4 compressed lines, a so-called band (see Table 1). It is possible to reduce the YUV input data by scaling down (divide by 2 or divide by 4 operations) to 7 or 6 bits per sample. For compression with an output rate below 2 bpp (bits per pixel) it leads to performance improvement.

For a number of compression ratios, performance is also improved thanks to different quantization tables which are defined and stored in a ROM. The required table must be selected via software.

Real time decoding can be done in software on any Pentium™ platform.

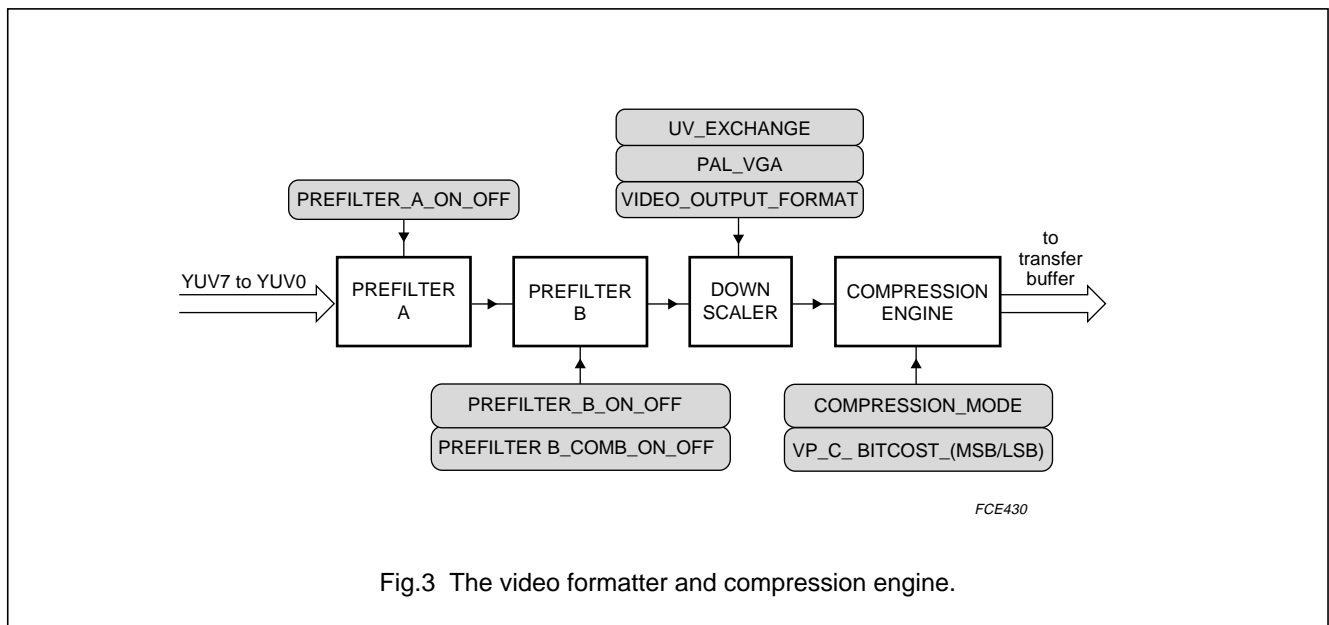


Fig.3 The video formatter and compression engine.

Table 1 Data rate performed by compression engine

FORMAT	ADVISED DATA RATE	MAXIMUM DATA RATE
CIF/SIF	2 bpp	12 bpp (uncompressed)
QCIF/QSIF	6 bpp	uncompressed
VGA high quality	3 bpp	4 bpp
VGA	1.5 bpp	3 bpp
RAW VGA high quality	4 bpp	4 bpp

Digital camera USB interface

SAA8115HL

8.5 Transfer buffer

The transfer buffer module (see Fig.4) takes care of a smooth transfer of the data to the FIFO of the USB. Moreover the transfer buffer can insert inband synchronization words in the video data stream. This function can be switched on and off with INBAND_CONTROL in register VP_TR_CONTROL (0x36). The synchronization words can only be used with non-compressed data stream and are formatted like 0x00 0xFF 0x<framecounter>₇<linecounter>₉. (Subscript denotes the number of bits and the frame counter is circular incrementing).

The non-compressed data is formatted like:

```
4 : 2 : 0: <optional sync word><Y0><Y1><Y2><Y3>
<C0><C2><Y4><Y5><Y6><Y7><C4><C6>.....,
4 : 2 : 2: <optional sync word><Y0><Y1><Y2><Y3>
<U0><V0><U2><V2><Y4>.....,
```

where C denotes U-data in the even lines (0, 2, 4 etc.) and V-data in the odd lines (1, 3, 5 etc.).

8.6 USB video FIFO

The USB video FIFO is programmed via the I²C-bus (see Fig.5). The FIFO is designed to achieve three different packets containing video on the isochronous USB channel. Video data is contained in a chain of equally sized USB packets, except for the last packet of a video frame which is always smaller. The video frames can be separated from each other by one or more 0-length packets. For low frame rates (below 10 frames per second) there are always 0-length packets in the stream.

The host can synchronize on the smaller packets for the high frame rates and on the 0-length packets for the low frame rates.

For every mode the FIFO must be adjusted. There are three parameters to program the video FIFO:

- PACKET_SIZE (0x06): this value indicates the length of all packets with video data except for the last packet of a video frame
- FIFO_OFFSET (0x04): this value indicates the number of data in the FIFO before a new packet will be transmitted over USB
- READ_SPACING (0x07): this value indicates the number of 12 MHz clock cycles between read actions from the FIFO.

Moreover the FIFO is enabled and disabled with FIFO_ACTIVE (0x05).

The write process to the FIFO is controlled by the transfer buffer and not programmable.

The read process is executed in the PSIE-MMU and is driven by the USB frame interval (1 ms). Every frame interval the PSIE-MMU tries to read PACKET_SIZE bytes from the FIFO. This read process will not be started when a new video frame is stored in the FIFO and there are less than FIFO_OFFSET bytes written. The read process stops if the next bytes are of another video frame, or if the read-pointer would overtake the write-pointer.

READ_SPACING determines the read rate. Its value can easily be determined with the formula:

$$READ_SPACING < \frac{12000}{PACKET_SIZE}$$

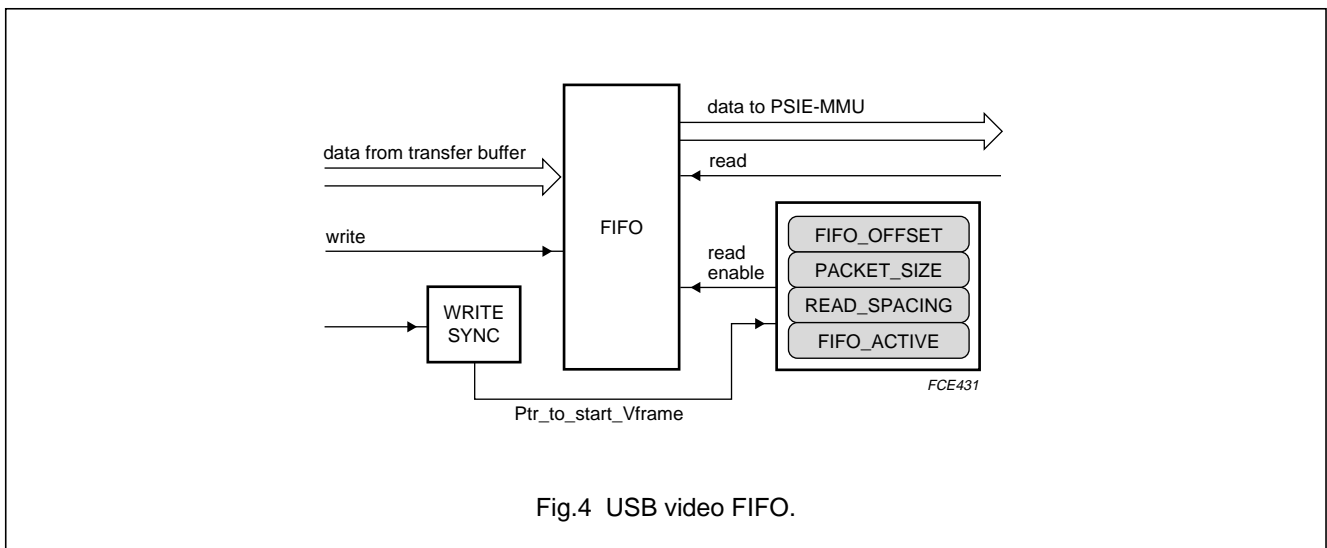


Fig.4 USB video FIFO.

Digital camera USB interface

SAA8115HL

8.7 PSIE-MMU, I²C-bus interface and USB RAM space

The Programmable Serial Interface Engine (PSIE) and Memory Management Unit (MMU) is the heart of the USB protocol hardware (see Fig.5). It formats the actual packets that are transferred to the USB and passes the incoming packets to the right end-point buffers. These buffers are allocated as part of the USB RAM space.

The microcontroller communicates via the I²C-bus with the PSIE-MMU. The I²C-bus protocol distinguishes three register spaces. These spaces are addressed via different commands. The command is sent to the command address.

Depending on the command it is sent to the PSIE-MMU and/or to the command interpreter which configures the (de-)mux to open the path to the right register space. Subsequent write/reads to/from the data address store or retrieve data from the register space selected by the command.

8.8 ATX interface

The SAA8115HL contains an analog bus driver, called the ATX. It incorporates a differential and two single-ended receivers and a differential transmitter.

The interface to the bus consists of a differential data pair (ATXDM and ATXDP).

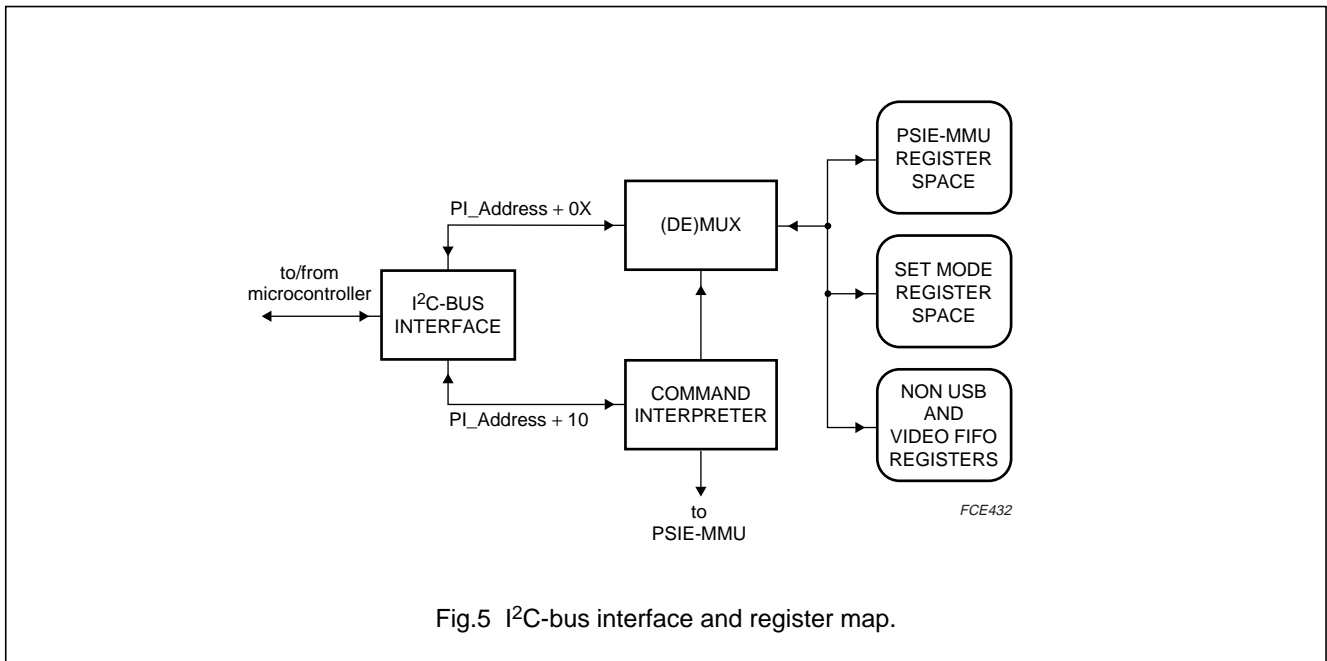


Fig.5 I²C-bus interface and register map.

8.9 Audio

The SAA8115HL contains a microphone supply and an amplifier circuit composed of two stages: a Low Noise Amplifier (LNA) and a variable gain amplifier. The LNA has a fixed gain of 26 dB while the variable gain amplifier can be programmed between 0 and 30 dB by steps of 2 dB. The gain control can be done via either the SNERT interface or the I²C-bus interface (see Table 57). The serial interface must be first selected using bit SIS (see Table 57). The frequency transfer characteristic of the audio path must be controlled via external high-pass or low-pass filters.

The PLL converts the 48 MHz to 256f_s (f_s = audio sample frequency). There are three modes for the PLL to achieve the sample frequencies of 48, 44.1 or 32 kHz (see Table 2).

The bitstream ADC samples the audio signal. It runs at an oversample rate of 256 times the base sample rate. In the application, the bitstream can be converted to parallel 16-bit samples. This conversion is programmable with respect to the effective sample frequency (dropping sample results in a lower effective sample frequency) and sample resolution. As a result the effective sample rate can be determined.

Digital camera USB interface

SAA8115HL

Table 2 ADC clock frequencies and sample frequencies

CLOCK (MHz)	DIVIDING NUMBER	SAMPLE FREQUENCY (kHz)	ADCCLOCK (MHz)
8.1920	1	32	4.096
	2	16	2.048
	4	8	1.042
	8	note 1	note 1
11.2996	1	44.1	5.6448
	2	22.05	2.8224
	4	11.025	1.4112
	8	5.5125	0.7056
12.2880	1	48	6.144
	2	24	3.072
	4	12	1.536
	8	6	0.768

Note

1. Not supported.

Table 3 Typical SAA8115HL compatible sensors

SENSOR TYPE	BRAND	PART NUMBER
VGA	Sony	ICX098AK
	Panasonic	MN3777PP and MN37771PT
	Sharp	LZ24BP
Medium resolution PAL	Sony	ICX054, ICX086 and ICX206
	Panasonic	MN37210FP
	Sharp	LZ2423B and LZ2423H
	Toshiba	TCD5391AP
CIF	Sharp	LZ244D and LZ2547
Other sensors	all the sensors fully compatible with the above mentioned sensors	

8.10 Sensor pulse pattern generator

The SAA8115HL incorporates a Pulse Pattern Generator (PPG) function. The PPG can be used for medium resolution PAL, CIF and VGA CCD-sensors (see Table 3).

Depending on the sensor type, an external inverter driver should be required to convert the 3.3 V pulses into a voltage suitable for the used CCD-sensor.

The active video size is 512×288 for medium resolution PAL, 352×288 for CIF and 640×480 for VGA. The total $H \times V$ size are 685×292 for medium resolution PAL/CIF and 823×486 for VGA. It should be noted that additional HD pulses are added during the vertical blanking interval to reach a total of 312 lines in PAL and CIF modes and 525 lines in VGA mode as required by the SAA8112HL.

A high level of flexibility is available for the PPG thanks to 19 internal registers (see Section 9.1.3).

Digital camera USB interface

SAA8115HL

8.11 Power management

USB requires the device to switch power states. The SAA8115HL contains a power management module since the complete camera may not consume more than 500 μ A during the power state called SUSPEND. This requires that even the crystal oscillator must be switched off. The SAA8115HL is not functional except for some logic that enables the IC to wake-up the camera. After wake-up of the SAA8115HL first the clock to the microcontroller is generated and thereafter an interrupt is generated to wake-up the microcontroller. Therefore the clock of the microcontroller is generated by the SAA8115HL.

The power management module also sets a flag in register SET_MODE_AND_READ (PSIE_MMU_STATUS). After a reset the microcontroller should check this register via the I²C-bus and find the cause of the wake-up. Different causes may require different start-up routines.

The internal video processing core uses another supply domain which can be switched off during SUSPEND mode.

The PPG is switched off by setting PPG_RESUME_MODE (0x08) and resetting PAL_VGA (0x09).

In non CIF modes the power consumption is reduced by resetting COMPRESSION_MODE (0x2F) and COMPRESSION_CLOCK (0x09).

The SAA8115HL has the feature to autonomously wake-up from SUSPEND mode, but requires microcontroller interference before going in SUSPEND mode (via the signal on pin SUSPREADYNOT).

Since the main oscillator of the SAA8115HL is switched off during SUSPEND mode, precautions are needed to avoid undefined states when the clock is switched on. This is ensured via the pins CLOCKON and TRC. Pin CLOCKON goes HIGH as soon as the main oscillator is switched on. The oscillator will need some time to make a stable 48 MHz signal. However, the clock is only passed through to other parts of the SAA8115HL when the level on pin TRC reaches a certain threshold. The time needed to reach the threshold can be trimmed with an external RC circuit.

8.12 Power supply

A power supply regulator is integrated in the device. This DC-to-DC converter transforms the USB supply voltage (range from 4.0 to 5.5 V) into a stable 5 V supply voltage. This power domain is switchable. The power circuit also generates a reset signal when the external 3.3 V supply voltage is stable and in range.

Digital camera USB interface

SAA8115HL

9 CONTROL REGISTER DESCRIPTION

This specification gives an overview of all registers.

9.1 SNERT (UART)

The SAA8115HL is partly controlled via SNERT. The frame rate converter, the SDRAM interface, the video formatter, the compression engine, the PPG, the SMP and the audio functions are controlled via SNERT. This SNERT interface works independently from the frame rate and can always be operated in the full frequency range.

Via SNERT the following registers are accessible (see Table 4).

Table 4 SNERT write registers SAA8115HL

ADDRESS	FUNCTION
00	write register soft reset (see Table 5)
01 to 05	write registers Frame Rate Converter (FRC) including the SDRAM interface
06 and 07	reserved
08 to 1A	write registers Pulse Pattern Generator (PPG)
1B to 1F	reserved
20 to 38	write registers video formatter and compression engine
39 to 3C	reserved
3D and 3E	write registers Switch Mode Power (SMP)
3F	write register audio variable gain amplifier

9.1.1 GENERAL REGISTER

Table 5 Detailed description of SNERT general register 0x00

BIT								SNERT REGISTER 00: SOFT_RESET
7	6	5	4	3	2	1	0	PARAMETER
X	X	X	X	X				reserved
					1			RESET_VP_C compression engine in reset state
					0			compression engine operating
						1		RESET_VP_VF formatter engine in reset state
						0		formatter engine operating
							1	RESET_FRC frame rate converter engine in reset state (by default)
							0	frame rate converter engine operating

Digital camera USB interface

SAA8115HL

9.1.2 FRAME RATE CONVERTER AND SDRAM INTERFACE REGISTERS

Table 6 Detailed description of SNERT FRC and SDRAM register 0x01

BIT								SNERT REGISTER 01: FRC_CONTROL_0
7	6	5	4	3	2	1	0	PARAMETER
X								reserved
	X	X	X					number of active lines after rising edge of VS signal; range: 0 to 6 (by default 0)
								FRAMERATE_DIVIDER_SELECT_BIT
				1	1	1		undefined
				1	1	0		32 (30 fps in; 0.9375 fps out)
				1	0	1		16 (15 fps in; 0.9375 fps out)
				1	0	0		6 (30 fps in; 5 fps out)
				0	1	1		3 (30 fps in; 10 fps out) or (15 fps in; 5 fps out)
				0	1	0		2 (30 fps in; 15 fps out) or (15 fps in; 7.5 fps out)
				0	0	1		1 (1 fps in; 1 fps out) (by default)
				0	0	0		undefined
							1	LLC_CLKFREQ 24 MHz (by default)
							0	12 MHz

Table 7 Detailed description of SNERT FRC and SDRAM register 0x02

BIT								SNERT REGISTER 02: FRC_CONTROL_1
7	6	5	4	3	2	1	0	PARAMETER
X	X	X						reserved
								REFRESH_MODE
			1					automatic SRAM refresh
			0					precharge command as implicit refresh (by default)
					X	X		REFRESH_CLOCK (MSBs) see Table 9
								INPUT_FORMAT
						1	1	undefined
						1	0	medium resolution
						0	1	CIF
						0	0	VGA (by default)

Digital camera USB interface

SAA8115HL

Table 8 Detailed description of SNERT FRC and SDRAM register 0x03

BIT								SNERT REGISTER 03: FRC_ROWWIDTH
7	6	5	4	3	2	1	0	PARAMETER
X	X	X	X	X	X	X	X	specifies the width of the row of the SDRAM 95 for PAL sensors 159 for VGA sensors (by default) 63 for CIF sensors

Table 9 Detailed description of SNERT FRC and SDRAM register 0x04

BIT								SNERT REGISTER 04: FRC_REFRESH_LSB
7	6	5	4	3	2	1	0	PARAMETER
X	X	X	X	X	X	X	X	specifies the number of clock cycles between two refresh cycles 246 for PAL sensors 395 for VGA sensors (by default) 239 for CIF sensors

Table 10 Detailed description of SNERT FRC and SDRAM register 0x05

BIT								SNERT REGISTER 05: FRC_STOPWRITE
7	6	5	4	3	2	1	0	PARAMETER
X	X	X	X	X	X	X	X	number of lines in a frame 243 for VGA sensors (by default) 146 for PAL or CIF sensors

Digital camera USB interface

SAA8115HL

9.1.3 PULSE PATTERN GENERATOR REGISTERS

Table 11 Detailed description of SNERT PPG register 0x08

BIT								SNERT REGISTER 08: PPG_CONTROL_0
7	6	5	4	3	2	1	0	PARAMETER
X	X	X						reserved
			1 0					SHUTTER_UPDATE_BUFFER during the vertical blanking (shutter speed is buffered) immediately (by default)
				1 0				PPG_RESUME_MODE switched off (except vertical transfer pulses in case of VGA sensors) operating (by default)
					1 1 1 0 0 0 0	1 0 0 1 1 0 1	X 1 0 1 0 1 1	PPG_FRAMERATE undefined 5 fps 10 fps 15 fps 20 fps 24 fps 30 fps (by default)

Digital camera USB interface

SAA8115HL

Table 12 Detailed description of SNERT PPG register 0x09

BIT								SNERT REGISTER 09: PPG_CONTROL_1
7	6	5	4	3	2	1	0	PARAMETER
X								reserved
								COMPRESSION_CLOCK
	1	1	X	X				reserved
	1	0	1	1				24 MHz
	1	0	1	0				19.2 MHz
	1	0	0	1				16 MHz
	1	0	0	0				12 MHz (by default)
	0	1	1	1				9.6 MHz
	0	1	1	0				8.0 MHz
	0	1	0	1				6.0 MHz
	0	1	0	0				4.8 MHz
	0	0	1	1				4.0 MHz
	0	0	1	0				2.4 MHz
	0	0	0	1				2.0 MHz
	0	0	0	0				off
					1	1		VGA_SENSOR_TYPE (valid if MSB set to logic 0)
					1	0		VGA (Sony and Panasonic)
					0	X		VGA (Sharp)
								reserved
								PAL_VGA
						1		PAL or CIF timing
						0		VGA timing (by default)

Digital camera USB interface

SAA8115HL

Table 13 Detailed description of SNERT PPG register 0x0A

BIT								SNERT REGISTER 0A: PPG_H_CTRL
7	6	5	4	3	2	1	0	PARAMETER
X								reserved
	1 0							RG_SHORT RG pulse width is set to half of nominal value RG pulse width is set to nominal value
		1 1 0 0 0 0	X X 1 1 0 0	1 0 1 0 1 0				FH2_CTRL (non FT mode); note 1 no horizontal blanking no horizontal blanking, pulse inverted blanked to HIGH, starts HIGH blanked to LOW, starts LOW blanked to LOW, starts HIGH blanked to HIGH, starts LOW
					1 1 0 0 0 0	X X 1 1 0 0	1 0 1 0 1 0	FH1_CTRL (non FT mode); note 1 no horizontal blanking, pulse inverted no horizontal blanking blanked to HIGH, starts LOW blanked to HIGH, starts HIGH blanked to HIGH, starts LOW blanked to LOW, starts HIGH

Note

- 1. If bits [5 to 3] equal bits [2 to 0] then FH2 is the inverse of FH1.

Digital camera USB interface

SAA8115HL

Table 14 Detailed description of SNERT PPG register 0x0B

BIT								SNERT REGISTER 0B: PPG_V_INV
7	6	5	4	3	2	1	0	PARAMETER
1								A4_INV positive pulses negative pulses
0								
	1							A3_INV positive pulses negative pulses
	0							
		1						A2_INV negative pulses positive pulses
		0						
			1					A1_INV negative pulses positive pulses
			0					
				1				B4_INV positive pulses negative pulses
				0				
					1			B3_INV positive pulses negative pulses
					0			
						1		B2_INV negative pulses positive pulses
						0		
							1	B1_INV negative pulses
							0	positive pulses

Digital camera USB interface

SAA8115HL

Table 15 Detailed description of SNERT PPG register 0x0C

BIT								SNERT REGISTER 0C: PPG_H_INV
7	6	5	4	3	2	1	0	PARAMETER
1								CLK2_INV inverted pulses nominal pulses
0								
	1							CLK1_INV inverted pulses nominal pulses
	0							
		1						FS_INV positive pulses negative pulses
		0						
			1					FCDS_INV positive pulses negative pulses
			0					
				1				FR_INV positive pulses negative pulses
				0				
					1			C3_INV negative pulses positive pulses
					0			
						1		C2_INV negative pulses positive pulses
						0		
							1	C1_INV negative pulses
							0	positive pulses

Digital camera USB interface

SAA8115HL

Table 16 Detailed description of SNERT PPG register 0x0D

BIT								SNERT REGISTER 0D: PPG_MISC_INV
7	6	5	4	3	2	1	0	PARAMETER
1								SELECT_A2 A2 is HIGH during read-out gate in line 2 A2 is LOW during read-out gate in line 2
0								
	1							SELECT_A3 A3 equals A4 (in case of VGA type 1 sensors) A3 equals A2
	0							
		1						C4_INV negative pulses positive pulses
		0						
			1					CR_INV positive pulses negative pulses
			0					
				1				BGP_INV negative pulses positive pulses
				0				
					1			DCP_INV negative pulses positive pulses
					0			
						1		HD_INV negative pulses positive pulses
						0		
							1	VD_INV negative pulses
							0	positive pulses

Table 17 Detailed description of SNERT PPG register 0x0E

BIT								SNERT REGISTER 0E: PPG_SHUTTERSPEED_V_LSB
7	6	5	4	3	2	1	0	PARAMETER
X	X	X	X	X	X	X	X	8 LSBs of line number (9 bits)

Table 18 Detailed description of SNERT PPG register 0x0F

BIT								SNERT REGISTER 0F: PPG_SHUTTERSPEED_H_LSB
7	6	5	4	3	2	1	0	PARAMETER
X	X	X	X	X	X	X	X	8 LSBs of pixel number (10 bits)

Digital camera USB interface

SAA8115HL

Table 19 Detailed description of SNERT PPG register 0x10

BIT								SNERT REGISTER 10: PPG_SHUTTERSPEED_MSB
7	6	5	4	3	2	1	0	PARAMETER
X	X	X	X					reserved
				1 0				SENSOR_TYPE Sony Sharp
					X	X		MSBs of pixel number (10 bits)
							X	MSBs of line number (9 bits)

Table 20 Detailed description of SNERT PPG register 0x11

BIT								SNERT REGISTER 11: PPG_BCP_START_LSB
7	6	5	4	3	2	1	0	PARAMETER
X	X	X	X	X	X	X	X	8 LSBs of pixel number (10 bits) where BCP starts

Table 21 Detailed description of SNERT PPG register 0x12

BIT								SNERT REGISTER 12: PPG_BCP_STOP_LSB
7	6	5	4	3	2	1	0	PARAMETER
X	X	X	X	X	X	X	X	8 LSBs of pixel number (10 bits) where BCP stops

Table 22 Detailed description of SNERT PPG register 0x13

BIT								SNERT REGISTER 13: PPG_DCP_START_LSB
7	6	5	4	3	2	1	0	PARAMETER
X	X	X	X	X	X	X	X	8 LSBs of pixel number (10 bits) where DCP starts

Table 23 Detailed description of SNERT PPG register 0x14

BIT								SNERT REGISTER 14: PPG_DCP_STOP_LSB
7	6	5	4	3	2	1	0	PARAMETER
X	X	X	X	X	X	X	X	8 LSBs of pixel number (10 bits) where DCP stops

Table 24 Detailed description of SNERT PPG register 0x15

BIT								SNERT REGISTER 15: PPG_BCP_DCP_MSB
7	6	5	4	3	2	1	0	PARAMETER
X	X							MSBs of PPG_DCP_STOP
		X	X					MSBs of PPG_DCP_START
				X	X			MSBs of PPG_BCP_STOP
						X	X	MSBs of PPG_BCP_START

Digital camera USB interface

SAA8115HL

Table 25 Detailed description of SNERT PPG register 0x16

BIT								SNERT REGISTER 16: PPG_B3_START_LSB
7	6	5	4	3	2	1	0	PARAMETER
X	X	X	X	X	X	X	X	8 LSBs of pixel number (10 bits) where B3 starts

Table 26 Detailed description of SNERT PPG register 0x17

BIT								SNERT REGISTER 14: PPG_B3_STOP_LSB
7	6	5	4	3	2	1	0	PARAMETER
X	X	X	X	X	X	X	X	8 LSBs of pixel number (10 bits) where B3 stops

Table 27 Detailed description of SNERT PPG register 0x18

BIT								SNERT REGISTER 18: PPG_B4_START_LSB
7	6	5	4	3	2	1	0	PARAMETER
X	X	X	X	X	X	X	X	8 LSBs of pixel number (10 bits) where B4 starts

Table 28 Detailed description of SNERT PPG register 0x19

BIT								SNERT REGISTER 19: PPG_B4_STOP_LSB
7	6	5	4	3	2	1	0	PARAMETER
X	X	X	X	X	X	X	X	8 LSBs of pixel number (10 bits) where B4 stops

Table 29 Detailed description of SNERT PPG register 0x1A

BIT								SNERT REGISTER 1A: PPG_B3_B4_MSB
7	6	5	4	3	2	1	0	PARAMETER
X	X							MSBs of PPG_B4_STOP
		X	X					MSBs of PPG_B4_START
				X	X			MSBs of PPG_B3_STOP
						X	X	MSBs of PPG_B3_START

Digital camera USB interface

SAA8115HL

9.1.4 VIDEO FORMATTER AND COMPRESSION ENGINE REGISTERS

Table 30 Detailed description of SNERT video formatter register 0x20

BIT								SNERT REGISTER 20: VP_VF_CONTRL_0
7	6	5	4	3	2	1	0	PARAMETER
X	X							reserved
		X						UV_EXCHANGE exchange chrominance irregularities if needed
			1	1				SCALE_DATA: limits the number of bits of the video signal undefined
			1	0				6 bits
			0	1				7 bits
			0	0				8 bits
					1			PREFILTER_B_COMB_ON_OFF (if filter B is on) prefilter B_COMB with 13 taps
					0			prefilter B_COMB with 7 taps
						1		PREFILTER_B_ON_OFF on with 7 taps
						0		bypassed
							1	PREFILTER_A_ON_OFF on with 3 taps
							0	bypassed

Digital camera USB interface

SAA8115HL

Table 31 Detailed description of SNERT video formatter register 0x21

BIT								SNERT REGISTER 21: VP_VF_CONTRL_1
7	6	5	4	3	2	1	0	PARAMETER
1								420_FIL_BYPASS: 4 : 2 : 0 formatter mode throw away samples average UV samples
0								
	1							VGA_RAW: data mode raw data, no scaling or 4 : 2 : 0 formatting YUV data
	0							
		1	1	1				VIDEO_OUTPUT_FORMAT undefined
		1	1	0				SIF
		1	0	1				QSIF
		1	0	0				undefined
		0	1	1				VGA
		0	1	0				CIF
		0	0	1				QCIF
		0	0	0				sub-QCIF
					1	1	1	VIDEO_INPUT_FORMAT undefined
					1	1	0	square SIF (sensors with square pixels)
					1	0	1	CIF (sensors with 12/11 pixel ratio format)
					1	0	0	medium resolution PAL
					0	1	1	undefined
					0	1	0	undefined
					0	0	1	undefined
					0	0	0	VGA

Table 32 Detailed description of SNERT video formatter register 0x22

BIT								SNERT REGISTER 22: VP_VF_VCOEF_C0_0
7	6	5	4	3	2	1	0	PARAMETER
X								reserved
	X	X	X	X	X	X	X	vertical filter coefficient tap 0 phase 0

Table 33 Detailed description of SNERT video formatter register 0x23

BIT								SNERT REGISTER 23: VP_VF_VCOEF_C0_1
7	6	5	4	3	2	1	0	PARAMETER
X								reserved
	X	X	X	X	X	X	X	vertical filter coefficient tap 0 phase 1

Digital camera USB interface

SAA8115HL

Table 34 Detailed description of SNERT video formatter register 0x24

BIT								SNERT REGISTER 24: VP_VF_VCOEF_C0_2
7	6	5	4	3	2	1	0	PARAMETER
X								reserved
	X	X	X	X	X	X	X	vertical filter coefficient tap 0 phase 2

Table 35 Detailed description of SNERT video formatter register 0x25

BIT								SNERT REGISTER 25: VP_VF_VCOEF_C1_0
7	6	5	4	3	2	1	0	PARAMETER
X								reserved
	X	X	X	X	X	X	X	vertical filter coefficient tap 1 phase 0

Table 36 Detailed description of SNERT video formatter register 0x26

BIT								SNERT REGISTER 26: VP_VF_VCOEF_C1_1
7	6	5	4	3	2	1	0	PARAMETER
X								reserved
	X	X	X	X	X	X	X	vertical filter coefficient tap 1 phase 1

Table 37 Detailed description of SNERT video formatter register 0x27

BIT								SNERT REGISTER 27: VP_VF_VCOEF_C1_2
7	6	5	4	3	2	1	0	PARAMETER
X								reserved
	X	X	X	X	X	X	X	vertical filter coefficient tap 1 phase 2

Table 38 Detailed description of SNERT video formatter register 0x28

BIT								SNERT REGISTER 28: VP_VF_VCOEF_C2_0
7	6	5	4	3	2	1	0	PARAMETER
X								reserved
	X	X	X	X	X	X	X	vertical filter coefficient tap 2 phase 0

Table 39 Detailed description of SNERT video formatter register 0x29

BIT								SNERT REGISTER 29: VP_VF_VCOEF_C2_1
7	6	5	4	3	2	1	0	PARAMETER
X								reserved
	X	X	X	X	X	X	X	vertical filter coefficient tap 2 phase 1

Digital camera USB interface

SAA8115HL

Table 40 Detailed description of SNERT video formatter register 0x2A

BIT								SNERT REGISTER 2A: VP_VF_VCOEF_C2_2
7	6	5	4	3	2	1	0	PARAMETER
X								reserved
	X	X	X	X	X	X	X	vertical filter coefficient tap 2 phase 2

Table 41 Detailed description of SNERT video formatter register 0x2B

BIT								SNERT REGISTER 2B: VP_VF_VCOEF_C3_0
7	6	5	4	3	2	1	0	PARAMETER
X								reserved
	X	X	X	X	X	X	X	vertical filter coefficient tap 3 phase 0

Table 42 Detailed description of SNERT video formatter register 0x2C

BIT								SNERT REGISTER 2C: VP_VF_VCOEF_C3_1
7	6	5	4	3	2	1	0	PARAMETER
X								reserved
	X	X	X	X	X	X	X	vertical filter coefficient tap 3 phase 1

Table 43 Detailed description of SNERT video formatter register 0x2D

BIT								SNERT REGISTER 2D: VP_VF_VCOEF_C3_2
7	6	5	4	3	2	1	0	PARAMETER
X								reserved
	X	X	X	X	X	X	X	vertical filter coefficient tap 3 phase 2

Table 44 Detailed description of SNERT video formatter register 0x2E

BIT								SNERT REGISTER 2E: VP_VF_LIMITER
7	6	5	4	3	2	1	0	PARAMETER
X	X	X	X	X	X	X	X	output of the video formatter is clipped to this maximum value

Digital camera USB interface

SAA8115HL

Table 45 Detailed description of SNERT compression engine register 0x2F

BIT								SNERT REGISTER 2F: VP_VF_CONTROL
7	6	5	4	3	2	1	0	PARAMETER
X								reserved
	X	X	X	X				QTABLE_SELECT: quantization table select range [0 : 15]
					1	1		DC_COEFF_LENGTH undefined
					1	0		8 bits
					0	1		7 bits
					0	0		6 bits
							1	COMPRESSION_MODE on
							0	off (by default)

Table 46 Detailed description of SNERT compression engine register 0x30

BIT								SNERT REGISTER 30: VP_C_YMASK
7	6	5	4	3	2	1	0	PARAMETER
X	X	X	X	X	X	X	X	operates an AND between this value and the compression engine input; can be used to set bit positions in the Y signal to 0 (by default 0x00)

Table 47 Detailed description of SNERT compression engine register 0x31

BIT								SNERT REGISTER 31: VP_C_UVMASK
7	6	5	4	3	2	1	0	PARAMETER
X	X	X	X	X	X	X	X	operates an AND between this value and the compression engine input; can be used to set bit positions in the UV signal to 0 (by default 0x00)

Table 48 Detailed description of SNERT compression engine register 0x32

BIT								SNERT REGISTER 32: VP_C_BITCOST_MSB
7	6	5	4	3	2	1	0	PARAMETER
X	X	X	X	X	X	X	X	set the compression ratio; the bitcost determines the maximum number of bits generated by the compression algorithm for 4 subsequent lines

Table 49 Detailed description of SNERT compression engine register 0x33

BIT								SNERT REGISTER 33: VP_C_BITCOST_LSB
7	6	5	4	3	2	1	0	PARAMETER
X	X	X	X	X	X	X	X	set the compression ratio; the bitcost determines the maximum number of bits generated by the compression algorithm for 4 subsequent lines

Digital camera USB interface

SAA8115HL

Table 50 Detailed description of SNERT compression engine register 0x34

BIT								SNERT REGISTER 34: VP_C_THRESHOLD_MSB
7	6	5	4	3	2	1	0	PARAMETER
X	X	X	X	X	X	X	X	output of the video formatter is clipped to this maximum value

Table 51 Detailed description of SNERT compression engine register 0x35

BIT								SNERT REGISTER 35: VP_C_THRESHOLD_LSB
7	6	5	4	3	2	1	0	PARAMETER
X	X	X	X	X	X	X	X	threshold must be set to: (number of UV blocks per band) × (DC_COEFF_LENGTH + 2)

Table 52 Detailed description of SNERT compression engine register 0x36

BIT								SNERT REGISTER 36: VP_TR_CONTROL
7	6	5	4	3	2	1	0	PARAMETER
X								reserved
	1 0							VGA_FORMAT 4 : 2 : 2 (uncompressed only) 4 : 2 : 0
		1 0						INBAND_CONTROL on off
			X	X	X	X	X	LLC_OUT_DIV: select the rate at which the video data is transmitted to the USB core range [1 to 31]

Table 53 Detailed description of SNERT compression engine register 0x37

BIT								SNERT REGISTER 37: VP_TR_SQCIF_OFFSET
7	6	5	4	3	2	1	0	PARAMETER
X	X	X	X					VERTICAL_OFFSET range 3 × [0 to 15]
				X	X	X	X	HORIZONTAL_OFFSET range 4 × [0 to 12]

Table 54 Detailed description of SNERT compression engine register 0x38

BIT								SNERT REGISTER 38: VP_VS_V_SHIFT
7	6	5	4	3	2	1	0	PARAMETER
X	X	X	X	X	X	X	X	shift internal line counter with respect to VS pulse

Digital camera USB interface

SAA8115HL

9.1.5 SWITCH MODE POWER REGISTERS

Table 55 Detailed description of SNERT SMP register 0x3D

BIT								SNERT REGISTER 3D: SMP_PERIOD
7	6	5	4	3	2	1	0	PARAMETER
X	X	X	X	X	X	X	X	period of SMP signal in units of 4 × XOSC_PERIOD (0 by default)

Table 56 Detailed description of SNERT SMP register 0x3E

BIT								SNERT REGISTER 3E: SMP_LOWTIME
7	6	5	4	3	2	1	0	PARAMETER
X	X	X	X	X	X	X	X	low edge of SMP signal in units of 4 × XOSC_PERIOD (0 by default)

9.1.6 AUDIO VARIABLE GAIN AMPLIFIER

Table 57 Detailed description of SNERT audio gain amplifier register 0x3F

BIT								SNERT REGISTER 3F: AUDIO_VGAIN
7	6	5	4	3	2	1	0	PARAMETER
X	X							reserved
		1						SIS: serial interface select SNERT
		0						I ² C-bus
			X					reserved
				X	X	X	X	variable gain settings (0 to 30 dB)

Digital camera USB interface

SAA8115HL

9.2 I²C-bus interface

The USB function has its own I²C-bus interface for communication with the microcontroller. The I²C-bus uses two addresses:

- Command address for writing commands to the Memory Manager (MM)
- Data address for writing/reading data to/from the Memory Manager (MM).

An address is a byte. The 7 MSBs are the actual address, the LSB is the R/W bit. When it is logic 0, data is transferred from the master to the slave, when it is logic 1, data is written from the slave to the master.

The 6 MSBs of the two addresses are equal and are defined by the PI_Address = 010111 (see Table 58). The LSB of the address differentiates between the command address and the data address. When bit 1 is logic 1 the address is the command address (0x5E) and when bit 1 is logic 0 the address is one of the data addresses (0x5C or 0x5D).

Table 58 I²C-bus addresses

BIT								ADDRESS
7	6	5	4	3	2	1	0	
0	1	0	1	1	1	0	0	0x5C: for writing data to the memory manager
0	1	0	1	1	1	0	1	0x5D: for reading data from the memory manager
0	1	0	1	1	1	1	0	0x5E: for writing commands
0	1	0	1	1	1	1	1	0x5F: not in use

9.2.1 COMMANDS

The commands listed in Table 59 must be sent to the I²C-bus address 0x5E.

Table 59 I²C-bus USB command codes

BIT								FUNCTION	
7	6	5	4	3	2	1	0		
0	0	end-point number							select end-point
0	1	end-point number							read/write status
1	0	end-point number							initialize/read status information
1	1	0	1	address					read/write register bank
1	1	1	0	0	X	X	X	not used	
1	1	1	0	1	0	0	0	set non-USB register	
1	1	1	1	0	0	0	0	read/write data	
1	1	1	1	0	0	0	1	acknowledge setup	
1	1	1	1	0	0	1	0	set buffer empty	
1	1	1	1	1	0	1	0	set buffer full	
1	1	1	1	0	1	0	0	read interrupt register	
1	1	1	1	0	1	0	1	read current frame number	
1	1	1	1	0	1	1	0	send resume	
1	1	1	1	0	1	1	1	set status change bits	
1	1	1	1	0	0	1	1	set mode	

Digital camera USB interface

SAA8115HL

Table 60 Detailed description of set mode and write register overview

BYTE	SET_MODE_AND_WRITE
3	N1 timer: programmable timer for power management; counts 12 MHz cycles; must be bigger than number of cycles needed for the microcontroller to go in power-down state after pin SUSPREADYNOT is made LOW
2	N2 timer: programmable timer for power management; counts 12 MHz cycles; determines the time between the microcontroller clock is switched off and the main clock is switched off
1	PSIE-MMU control byte (see Table 61)

Table 61 Detailed description of set mode and write byte 3

BIT								PSIE-MMU CONTROL BYTE
7	6	5	4	3	2	1	0	PARAMETER
X	X	X						reserved
			1 0					interrupt after isochronous audio transfer for each isochronous audio transfer an interrupt to the microcontroller will be generated; default set to logic 1 upon general Power-on reset and/or bus reset by the SAA8115HL no interrupts are given to the microcontroller
				1 0				interrupt after isochronous video transfer for each isochronous video transfer an interrupt to the microcontroller will be generated; default set to logic 1 upon general Power-on reset and/or bus reset by the SAA8115HL no interrupts are given to the microcontroller
					1 0			audio end-point audio end-point enabled; default set to logic 1 upon general Power-on reset and/or bus reset by the SAA8115HL audio end-point disabled; the PSIE-MMU will not react on in-tokens on the audio end-point
						1 0		video end-point video end-point enabled; default set to logic 1 upon general Power-on reset and/or bus reset by the SAA8115HL video end-point disabled; the PSIE-MMU will not react on in-tokens on the video end-point
							1 0	error debug mode 1 interrupts are generated only in the event the transfer is not successfully completed; the microcontroller can read data from the interrupt and status registers to see the cause of this error 0 all successful USB transactions are reported to the microcontroller via an interrupt; default set to logic 0 upon general power-on reset by the SAA8115HL

Digital camera USB interface

SAA8115HL

Table 62 Detailed description of set mode and read status byte

BIT								PSIE-MMU STATUS BYTE
7	6	5	4	3	2	1	0	PARAMETER
X	X	X	X					reserved
				1 0				remote wake-up status flag remote wake-up when device is in SUSPEND mode no remote wake-up
					1 0			resume status flag bus resume by the host when device is in SUSPEND mode no bus resume
						1 0		bus reset status flag bus reset no bus reset
							1 0	power-up status flag general power-up reset no power-up reset

9.2.2 END-POINTS

The SAA8115HL has 6 logical end-points which are listed in Table 63.

Table 63 Mapping of logical to physical end-point numbers for used end-points

END-POINT NAME	LOGICAL END-POINT	BUFFER SIZE	PHYSICAL END-POINT	
			OUT	IN
Control end-point	0	8	0	1
Control end-point	1	8	2	3
Interrupt end-point	2	8	–	4
Interrupt end-point	3	8	–	5
Iso video end-point	4	96.0	–	6
Iso video end-point	5	35.1	–	7

Digital camera USB interface

SAA8115HL

9.2.3 CONTROL TOP REGISTERS

The following registers can be written on I²C-bus address 1 after the command 0xE8 on I²C-bus address 0.

Table 64 I²C-bus control top registers

ADDRESS	CONTROL TOP REGISTERS (BASE ADDRESS: 0x08)
0x08	clock control
0x09	reset control
0x0A	mux block control
0x0B	power-on analog modules control

Table 65 Detailed description of I²C-bus control top registers 0x08

BIT								TOP REGISTER 0x08: CLKSHOP_CONTROL
7	6	5	4	3	2	1	0	PARAMETER
1								select ADC clock source sel_ad: clock generated from ADC sel_pll: clock generated from PLL
	0	0						set clock dividers for ADC set_divide00: divided by 1 set_divide01: divided by 2 set_divide10: divided by 4 set_divide11: divided by 8
	0	1						
	1	0						
	1	1						
			X					reserved
				1				disable 48 MHz clock dis_clk_48: disable 48 MHz clock enable clock
				0				
					1			disable receiver clock dis_clk_rec: disable receiver clock enable clock
					0			
						1		disable ADC clock dis_clk_ad: disable ADC clock enable clock
						0		
							X	reserved

Digital camera USB interface

SAA8115HL

Table 66 Detailed description of I²C-bus control top registers 0x09

BIT								TOP REGISTER 0x09: RST_GEN AND PLL_CONTROL
7	6	5	4	3	2	1	0	PARAMETER
0	0							set PLL frequency fcode00: 256 × 44.1 kHz fcode01: 256 × 32 kHz fcode10: 256 × 48 kHz fcode11: 256 × 44.1 kHz
0	1							
1	0							
1	1							
		X	X					reserved
				1				reset PSIE-MMU top module upc_rst_mmu: resetting the USB protocol block (called PSIE-MMU) during tests or in case of errors no reset
				0				
					X			reserved
						1		reset ADIF top module upc_rst_adif: resetting the digital audio part during tests or in case of errors no reset
						0		
							1	reset AGC module upc_rst_AGC: resetting the AGC control during tests or in case of errors
							0	

Table 67 Detailed description of I²C-bus control top registers 0x0A

BIT								TOP REGISTER 0x0A: IO_MUX_CONTROL
7	6	5	4	3	2	1	0	PARAMETER
X	X	X	X	X	X	X	X	reserved

Digital camera USB interface

SAA8115HL

Table 68 Detailed description of I²C-bus control top registers 0x0B

BIT								TOP REGISTER 0x0B: POWER_CONTROL_OF_ANALOG_MODULES
7	6	5	4	3	2	1	0	PARAMETER
1								power control oscillator module upc_osc_off: power management 48 MHz enabled power management 48 MHz disabled
0								
	1							power control audio module upc_osc_ad_off: power management audio enabled power management audio disabled
	0							
		1						power control PLL module upc_pll_off: PLL power-off power-on
		0						
			X					reserved
				1				power control ADC module left channel upc_adl_off: power-off power-on
				0				
					1			power control ADC module right channel upc_adr_off: power-off power-on
					0			
						1		power control AGC module left channel upc_AGCl_off: power-off power-on
						0		
							1	power control AGC module right channel upc_AGCr_off: power-off power-on
							0	

Digital camera USB interface

SAA8115HL

9.2.4 VIDEO FIFO REGISTERS

Table 69 I²C-bus video FIFO registers overview

ADDRESS	VIDEO FIFO REGISTERS (BASE ADDRESS: 0x04)
0x04	FIFO offset (8 LSBs)
0x05	FIFO active and FIFO offset (3 MSBs)
0x06	packet size (8 LSBs)
0x07	read spacing and packet size (2 MSBs)

Table 70 Detailed description of I²C-bus video FIFO registers 0x04

BIT								FIFO REGISTER 0x04: FIFO_OFFSET
7	6	5	4	3	2	1	0	PARAMETER
X	X	X	X	X	X	X	X	FIFO_OFFSET mode_fifo_offset: sets the minimum contents of the FIFO that has to be reached, before a new video frame will be put on the USB. This value can be set between 0 and 2047. Total 11 bits with 8 LSBs in this register and 3 MSBs in register 0x05.

Table 71 Detailed description of I²C-bus video FIFO registers 0x05

BIT								FIFO REGISTER 0x05: FIFO_ACTIVE AND FIFO_OFFSET
7	6	5	4	3	2	1	0	PARAMETER
1								FIFO_ACTIVE
0								mode_active: FIFO is active and the contents of the other mode registers should not be updated by the microcontroller (maledictive) FIFO not active
	X	X	X	X				reserved
					X	X	X	FIFO_OFFSET (MSBs) 3 MSBs of the offset value; see also register 0x04

Digital camera USB interface

SAA8115HL

Table 72 Detailed description of I²C-bus video FIFO registers 0x06

BIT								FIFO REGISTER 0x06: PACKET_SIZE
7	6	5	4	3	2	1	0	PARAMETER
X	X	X	X	X	X	X	X	PACKET_SIZE mode_packet_size: sets the packet size of the USB video channel. Packets can vary in size between 0 and 1023. Total 10 bits with 8 LSBs in this register and 2 MSBs in register 0x07.

Table 73 Detailed description of I²C-bus video FIFO registers 0x07

BIT								FIFO REGISTER 0x07: READ_SPACING AND PACKET_SIZE
7	6	5	4	3	2	1	0	PARAMETER
X	X	X	X	X	X			READ_SPACING mode_read_spacing: sets the periodicity of the read pulses; the periodicity can be set from 1 to 63 (from '000001' to '111111')
						X	X	PACKET_SIZE mode_packet_size: 2 MSBs of the value (8 LSBs in register 0x06)

Digital camera USB interface

SAA8115HL

9.2.5 ADIF TOP REGISTERS

Table 74 I²C-bus ADIF top registers overview

ADDRESS	ADIF TOP REGISTERS (BASE ADDRESS: 0x0C)
0x0C	reserved
0x0D	reserved
0x0E	VGA control gain
0x0F	ADIF control (ADIF2MMU)

Table 75 Detailed description of I²C-bus ADIF top registers 0x0E

BIT								ADIF REGISTER 0x0E: GAIN_CONTROL
7	6	5	4	3	2	1	0	PARAMETER
X								reserved
	0 1							GAIN_SOURCE_SELECT reserved gain is controlled directly by bits 3 to 0
		X	X					reserved
				0 0 : 0 1	0 0 : 1 1	0 0 : 1 1	0 1 : 1 1	GAIN_CONTROL; 0 to 30 dB in steps of 2 dB 0 dB 2 dB : 28 dB 30 dB

Digital camera USB interface

SAA8115HL

Table 76 Detailed description of I²C-bus ADIF top registers 0x0F

BIT								ADIF REGISTER 0x0F: ADIF_CONTROL
7	6	5	4	3	2	1	0	PARAMETER
X								reserved
	0 0 1 1	0 1 0 1						number of bytes per sample 0 (reserved) 1 (8 bits audio samples) 2 (16 bits audio samples) 3 (24 bits audio samples)
			0 1					selection mono/stereo operation mono stereo
				0 1				selection input for ADC path (ADIF mux) digital input (from I ² S-bus) analog input (from Vin_left and Vin_right)
					0 1			selection high-pass filter (DC filter) for ADC down sample filter high-pass filter off high-pass filter on
						0 0 1 1	0 1 0 1	selection audio serial input format I ² S-bus LSB-justified, 16 bits LSB-justified, 18 bits LSB-justified, 20 bits

Digital camera USB interface

SAA8115HL

10 LIMITING VALUES

In accordance with the Absolute Maximum Rating System (IEC 60134).

SYMBOL	PARAMETER	CONDITIONS	MIN.	MAX.	UNIT
V _{DDA}	analog supply voltage		-0.5	+4.0	V
V _{DDA_USB}	analog supply voltage from USB	note 1	-0.5	+5.5	V
V _{DDD}	digital supply voltage		-0.5	+4.0	V
V _n	voltage on pins AGND and DGND all other pins		-0.5 -0.5	+4.0 V _{DD} + 0.5	V V
T _{stg}	storage temperature		-55	+150	°C
T _{amb}	ambient temperature		0	70	°C
T _j	junction temperature		-40	+125	°C

Note

1. This concerns pins VBUS1 and VBUS2.

11 THERMAL CHARACTERISTICS

SYMBOL	PARAMETER	CONDITIONS	VALUE	UNIT
R _{th(j-a)}	thermal resistance from junction to ambient	in free air	45	K/W

12 CHARACTERISTICS

V_{DDD} = V_{DDA} = 3.3 V ±10%; T_{amb} = 0 to 70 °C.

SYMBOL	PARAMETER	CONDITIONS	MIN.	TYP.	MAX.	UNIT
Supplies						
V _{DDDn}	digital supply voltage		3.0	3.3	3.6	V
V _{DDA n}	analog supply voltage		3.0	3.3	3.6	V
V _{DDA_USB}	analog supply voltage from USB	note 1	4.0	5.0	5.5	V
V _{DGND}	digital ground supply		-0.3	0.0	+0.3	V
V _{AGND}	analog ground supply		-0.3	0.0	+0.3	V
I _{DDDn}	digital supply current	T _{amb} = 25 °C	–	–	tbf	mA
I _{DDA n}	analog supply current	T _{amb} = 25 °C	–	–	tbf	mA
Data and control inputs						
V _{IL}	LOW-level input voltage		–	–	0.8	V
V _{IH}	HIGH-level input voltage		2.0	–	–	V
Data and control outputs						
V _{OL}	LOW-level output voltage		0	–	0.1V _{DDD}	V
V _{OH}	HIGH-level output voltage		0.9V _{DDD}	–	V _{DDD}	V

Digital camera USB interface

SAA8115HL

SYMBOL	PARAMETER	CONDITIONS	MIN.	TYP.	MAX.	UNIT
Microphone supply						
I _{DD0}	supply current		–	0.85	1.2	mA
V _{ref}	input reference voltage	at 1/2V _{DDA}	–	1.65	–	V
V _O	output voltage	V _{DDA} = 3.3 V	–	3.0	–	V
I _O	output current		–	–	2.0	mA
Low noise amplifier						
TRANSFER FUNCTION						
R _i	input impedance		3.5	5.0	–	kΩ
I _{DD1}	supply current		–	0.85	1.2	mA
A	amplification		27	28	29	dB
V _{O(rms)}	output voltage (RMS value)		–	–	800	mV
THD	total harmonic distortion	note 2	–	–69	–63	dB
V _{OO1}	output offset voltage		–	0.0	1.0	mV
BIASING						
I _{ref1}	reference current		–	10	–	μA
Variable gain amplifier						
TRANSFER FUNCTION						
R _i	input impedance		7.0	10.5	13	kΩ
I _{DD2}	supply current		–	0.45	0.6	mA
A	amplification		0.0	–	32	dB
THD	total harmonic distortion	note 3	–	–88	–82	dB
		note 4	–	–65	–57	dB
V _{OO2}	output offset voltage	A = 0 dB	–	1.0	2.0	mV
		A = 30 dB	–	14	30	mV
BIASING						
I _{ref2}	reference current		–	10	–	μA
Audio PLL						
f _{i(clk)}	clock input frequency		–	48	–	MHz
f _{o(clk)}	clock output frequency	note 5	–	11.2996	–	MHz
B	bandwidth		–	2.3	–	kHz
ζ	damping		–	0.98	–	
Audio ADC (ΣΔ converter)						
INPUTS						
f _i	input signal frequency		1	–	20	kHz
V _{i(rms)}	input voltage (RMS value)		–	800	–	mV
TRANSFER FUNCTION						
N	order of the ΣΔ		–	3	–	
N _{bit}	number of output bits		–	1	–	

Digital camera USB interface

SAA8115HL

SYMBOL	PARAMETER	CONDITIONS	MIN.	TYP.	MAX.	UNIT
$N_{\text{bit(eq)}}$	equivalent output resolution (bit)		–	16	–	
DR_i	dynamic range at input	note 6	–	96.6	–	dB
f_{clk}	clock frequency		–	–	5.6448	MHz
δ	clock frequency duty factor		–	50	–	%
THD	total harmonic distortion		–	–70	–55	dB
ATX transceiver						
DRIVER CHARACTERISTICS IN FULL SPEED MODE: PINS ATXDP AND ATXDM						
$f_{\text{o(sample)}}$	sample output frequency		4	–	48	kHz
t_r	rise transition time	$C_L = 50 \text{ pF}$	4	–	20	ns
t_f	fall transition time	$C_L = 50 \text{ pF}$	4	–	20	ns
t_{match}	transition time matching	note 7	90	–	110	%
V_{cr}	output signal crossover voltage		1.3	–	2.0	V
Z_o	driver output impedance	steady state drive	30	–	42	Ω
RECEIVER CHARACTERISTICS IN FULL SPEED MODE: PINS ATXDP AND ATXDM						
$f_{\text{i(sample)}}$	sample input frequency		5	–	55	kHz
$f_{\text{i(D)}}$	data input frequency rate		–	12.00	–	Mbits/s
t_{frame}	frame interval		–	1.000	–	ms
DC-to-DC converter						
5 V UP AND DOWN CONVERTER (SWITCHABLE SUPPLY DOMAIN)						
V_o	output voltage		4.9	5.0	5.1	V
V_{ripple}	ripple on output voltage		–	20	–	mV
I_L	load current		–	–	150	mA
$R_{\text{DSON_P1}}$	PMOS switch-on resistance; down converter	note 8	–	1.0	–	Ω
$R_{\text{DSON_N1}}$	NMOS switch-on resistance; down converter	note 8	–	4.5	–	Ω
$R_{\text{DSON_P2}}$	PMOS switch-on resistance; up converter	note 8	–	1.1	–	Ω
$R_{\text{DSON_N2}}$	NMOS switch-on resistance; up converter	note 8	–	4.6	–	Ω

Digital camera USB interface**SAA8115HL**

Notes

1. This concerns pins VBUS1 and VBUS2.
2. The distortion is measured at 1 kHz, $V_{o(rms)} = 600$ mV.
3. The distortion is measured at 1 kHz, $V_{o(rms)} = 600$ mV and $A = 0$ dB.
4. The distortion is measured at 1 kHz, $V_{o(rms)} = 600$ mV and $A = 30$ dB.
5. Frequencies depend on PLL settings (see Table 2).
6. Defined here as: $20 \times \log \frac{\text{input voltage}}{\text{equivalent input noise voltage}}$
7. Transition time matching: $t_{\text{match}} = \frac{t_r}{t_f} \times 100\%$
8. Including metal and contact resistance on chip and bonding wire resistance.

Digital camera USB interface

SAA8115HL

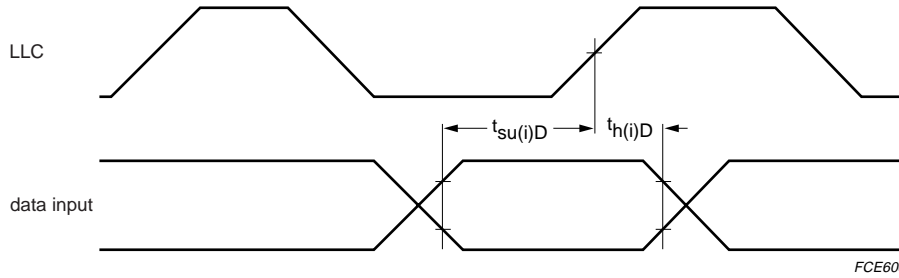
13 TIMING
 $V_{DD} = V_{DDA} = 3.3 \text{ V} \pm 10\%$; $T_{\text{amb}} = 0 \text{ to } 70 \text{ }^{\circ}\text{C}$.

SYMBOL	PARAMETER	CONDITIONS	MIN.	TYP.	MAX.	UNIT
Data input related to LLC (see Fig.6)						
PINS YUV0 TO YUV7, HREF, VS						
$t_{\text{su}(i)(D)}$	data input set-up time		5	–	–	ns
$t_{\text{h}(i)(D)}$	data input hold time		3	–	–	ns
PPG high-speed pulses for Sony ICX098AK VGA CCD-sensor (see Fig.7)						
t_{d1}	delay between falling edge C2 and rising edge C1		–3.5	–2.5	–1.5	ns
t_{d2}	delay between rising edge C2 and falling edge C1		0	1.5	3	ns
t_{d3}	delay between falling edge C1 and rising edge FCDS		20.5	21.5	22.5	ns
t_{d4}	delay between rising edge C1 and rising edge FS		21.5	22.5	23.5	ns
t_{d5}	delay between rising edge C1 and falling edge RG		0	1.5	3	ns
t_{d6}	delay between falling edge CLK1 and rising edge C1		0	0.5	2	ns
t_{d7}	delay between rising edge CLK1 and falling edge C1		2.5	3.0	3.5	ns
t_{d8}	delay between rising edge CLK2 and rising edge C1		1	1.5	2	ns
$t_{\text{WH}(C1)}$	C1 pulse width HIGH		80	81	–	ns
$t_{\text{WL}(C2)}$	C2 pulse width LOW		84	85	–	ns
$t_{\text{WL}(FCDS)}$	FCDS pulse width LOW		17	18.5	–	ns
$t_{\text{WL}(FS)}$	FS pulse width LOW		41	42	–	ns
$t_{\text{WL}(RG)}$	RG pulse width LOW		42	43	–	ns
$t_{\text{WL}(CLK1)}$	CLK1 pulse width LOW		84	84.5	–	ns
$t_{\text{WH}(CLK2)}$	CLK2 pulse width HIGH		39	40	–	ns
t_r	rise time	note 1				
	pulse C1		–	4	–	ns
	pulse C2		–	4	–	ns
	pulse RG		–	4	–	ns
	pulse FCDS		–	4	–	ns
	pulse FS		–	4	–	ns
t_f	fall time	note 1				
	pulse C1		–	4	–	ns
	pulse C2		–	4	–	ns
	pulse RG		–	4	–	ns
	pulse FCDS		–	4	–	ns
	pulse FS		–	4	–	ns

Note
 1. $C_L = 11 \text{ pF}$; $T_{\text{amb}} = 25 \text{ }^{\circ}\text{C}$.

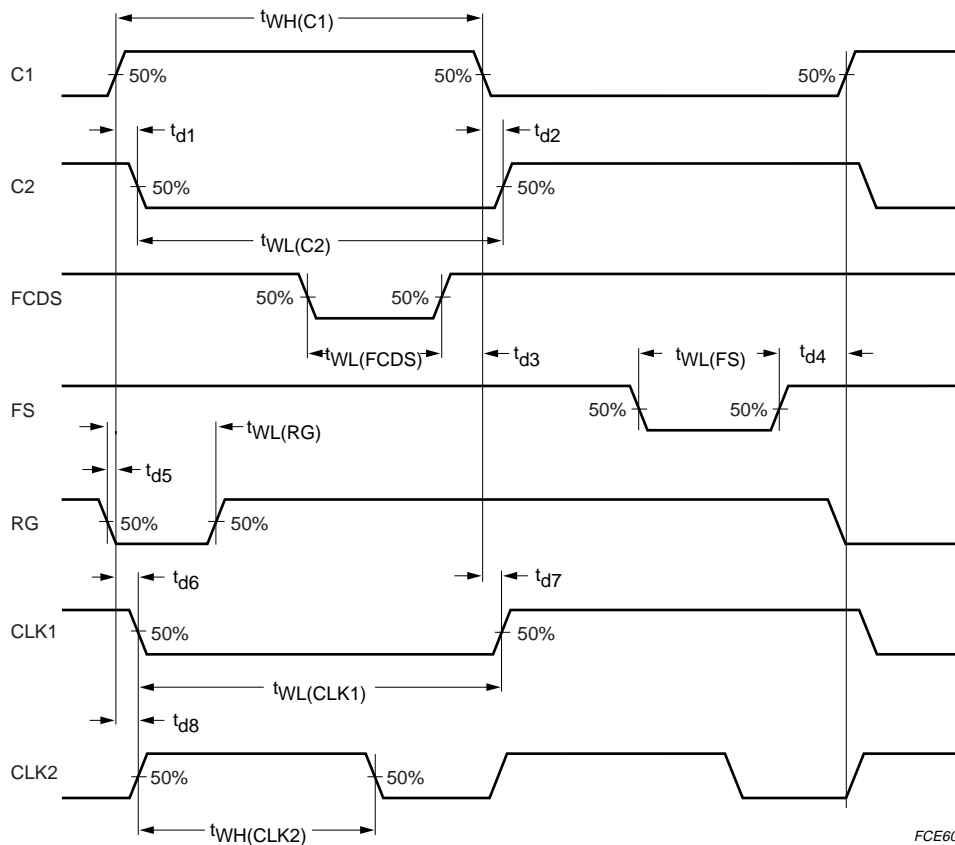
Digital camera USB interface

SAA8115HL



FCE606

Fig.6 Data input timing.



FCE607

Fig.7 PPG high-speed pulses for Sony ICX098AK VGA CCD-sensor.

Digital camera USB interface

SAA8115HL

14 APPLICATION INFORMATION

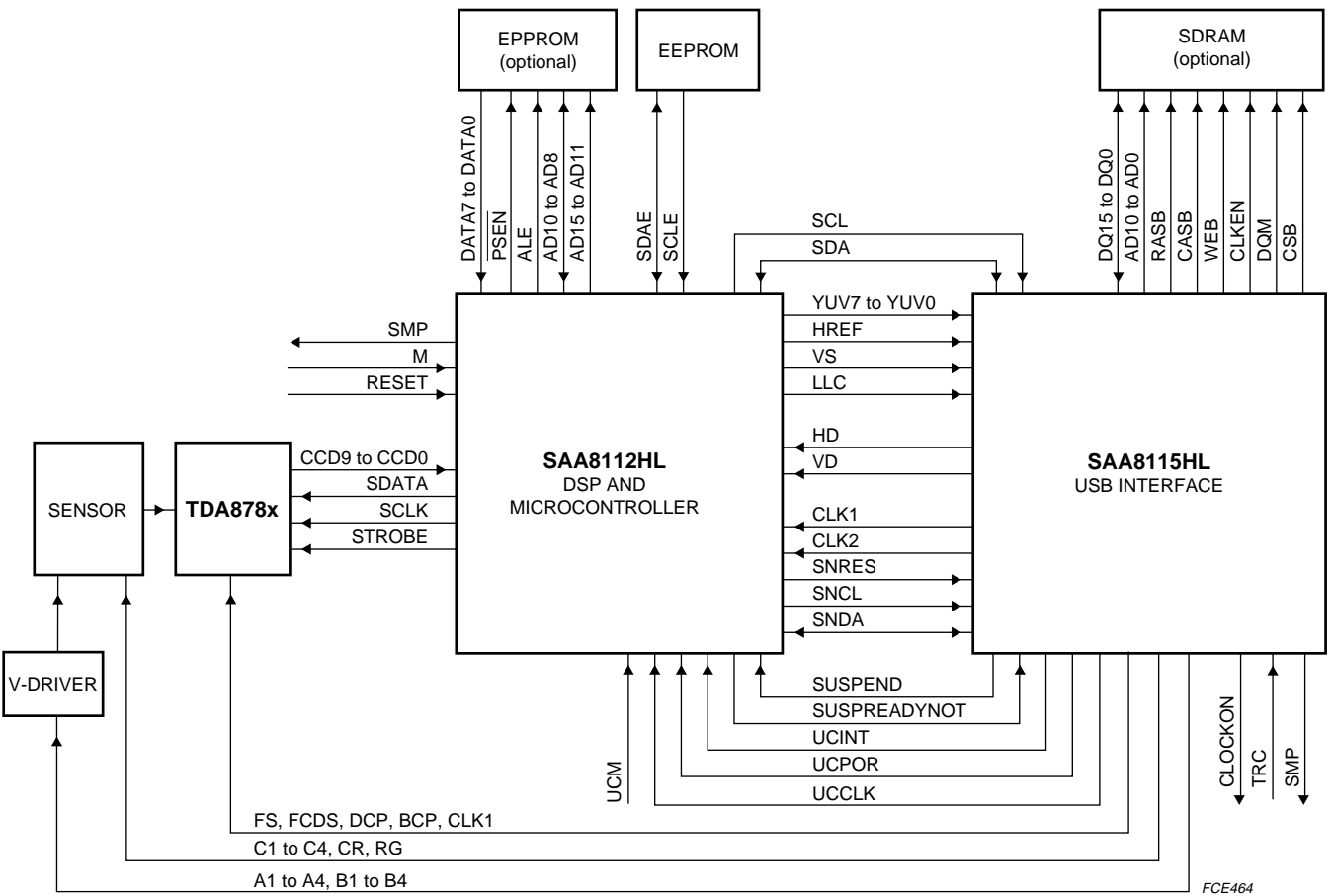


Fig.8 Typical USB camera application.

FCE464

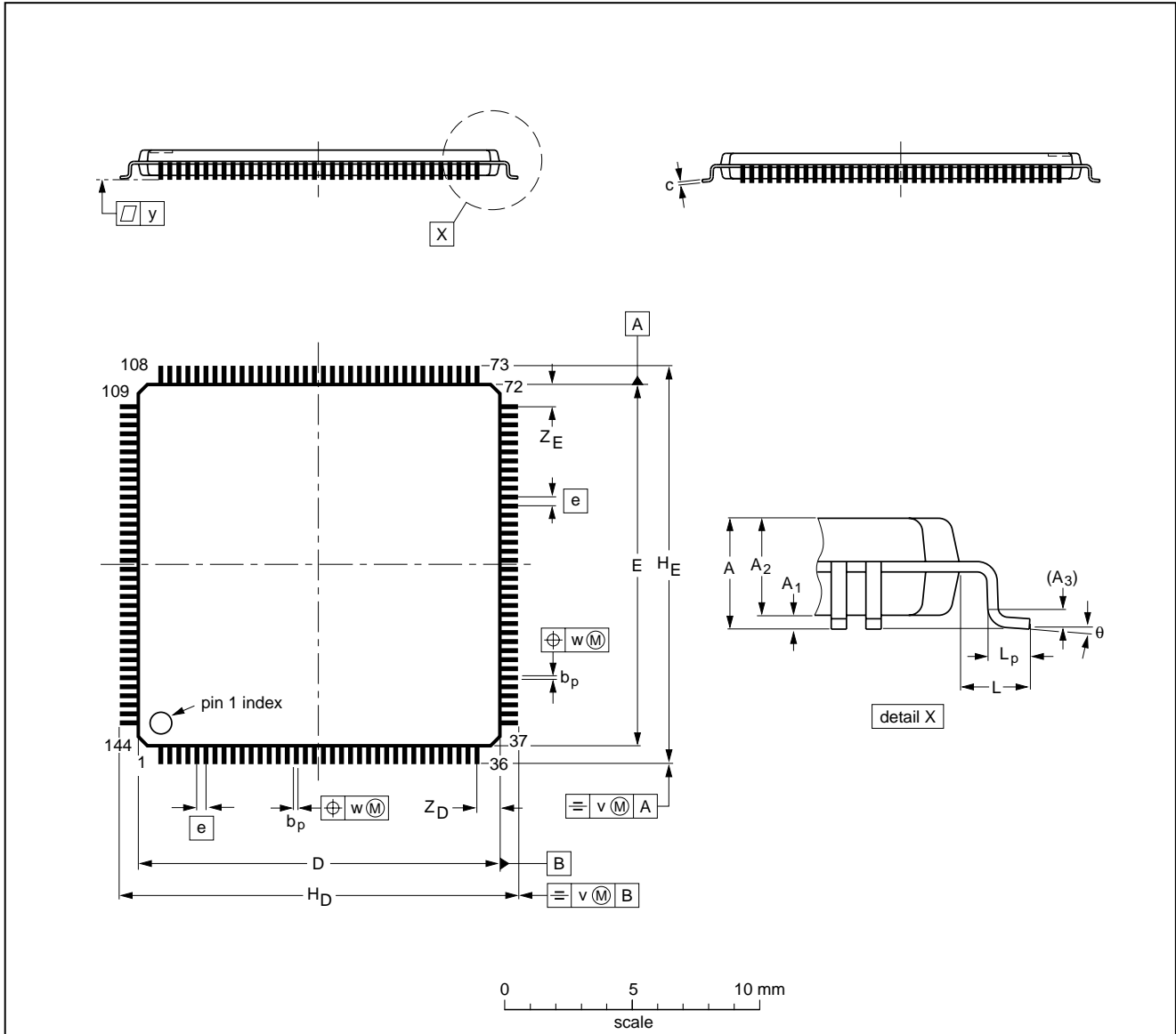
Digital camera USB interface

SAA8115HL

15 PACKAGE OUTLINE

LQFP144: plastic low profile quad flat package; 144 leads; body 20 x 20 x 1.4 mm

SOT486-1



DIMENSIONS (mm are the original dimensions)

UNIT	A max.	A ₁	A ₂	A ₃	b _p	c	D ⁽¹⁾	E ⁽¹⁾	e	H _D	H _E	L	L _p	v	w	y	Z _D ⁽¹⁾	Z _E ⁽¹⁾	θ
mm	1.6	0.15 0.05	1.45 1.35	0.25	0.27 0.17	0.20 0.09	20.1 19.9	20.1 19.9	0.50	22.15 21.85	22.15 21.85	1.0	0.75 0.45	0.2	0.08	0.08	1.40 1.10	1.40 1.10	7° 0°

Note

1. Plastic or metal protrusions of 0.25 mm maximum per side are not included.

OUTLINE VERSION	REFERENCES				EUROPEAN PROJECTION	ISSUE DATE
	IEC	JEDEC	EIAJ			
SOT486-1	136E23	MS-026				99-12-03 00-01-19

Digital camera USB interface

SAA8115HL

16 SOLDERING

16.1 Introduction to soldering surface mount packages

This text gives a very brief insight to a complex technology. A more in-depth account of soldering ICs can be found in our *"Data Handbook IC26; Integrated Circuit Packages"* (document order number 9398 652 90011).

There is no soldering method that is ideal for all surface mount IC packages. Wave soldering is not always suitable for surface mount ICs, or for printed-circuit boards with high population densities. In these situations reflow soldering is often used.

16.2 Reflow soldering

Reflow soldering requires solder paste (a suspension of fine solder particles, flux and binding agent) to be applied to the printed-circuit board by screen printing, stencilling or pressure-syringe dispensing before package placement.

Several methods exist for reflowing; for example, infrared/convection heating in a conveyor type oven. Throughput times (preheating, soldering and cooling) vary between 100 and 200 seconds depending on heating method.

Typical reflow peak temperatures range from 215 to 250 °C. The top-surface temperature of the packages should preferably be kept below 230 °C.

16.3 Wave soldering

Conventional single wave soldering is not recommended for surface mount devices (SMDs) or printed-circuit boards with a high component density, as solder bridging and non-wetting can present major problems.

To overcome these problems the double-wave soldering method was specifically developed.

If wave soldering is used the following conditions must be observed for optimal results:

- Use a double-wave soldering method comprising a turbulent wave with high upward pressure followed by a smooth laminar wave.
- For packages with leads on two sides and a pitch (e):
 - larger than or equal to 1.27 mm, the footprint longitudinal axis is **preferred** to be parallel to the transport direction of the printed-circuit board;
 - smaller than 1.27 mm, the footprint longitudinal axis **must** be parallel to the transport direction of the printed-circuit board.

The footprint must incorporate solder thieves at the downstream end.

- For packages with leads on four sides, the footprint must be placed at a 45° angle to the transport direction of the printed-circuit board. The footprint must incorporate solder thieves downstream and at the side corners.

During placement and before soldering, the package must be fixed with a droplet of adhesive. The adhesive can be applied by screen printing, pin transfer or syringe dispensing. The package can be soldered after the adhesive is cured.

Typical dwell time is 4 seconds at 250 °C.

A mildly-activated flux will eliminate the need for removal of corrosive residues in most applications.

16.4 Manual soldering

Fix the component by first soldering two diagonally-opposite end leads. Use a low voltage (24 V or less) soldering iron applied to the flat part of the lead. Contact time must be limited to 10 seconds at up to 300 °C.

When using a dedicated tool, all other leads can be soldered in one operation within 2 to 5 seconds between 270 and 320 °C.

Digital camera USB interface

SAA8115HL

16.5 Suitability of surface mount IC packages for wave and reflow soldering methods

PACKAGE	SOLDERING METHOD	
	WAVE	REFLOW ⁽¹⁾
BGA, SQFP	not suitable	suitable
HLQFP, HSQFP, HSOP, HTSSOP, SMS	not suitable ⁽²⁾	suitable
PLCC ⁽³⁾ , SO, SOJ	suitable	suitable
LQFP, QFP, TQFP	not recommended ⁽³⁾⁽⁴⁾	suitable
SSOP, TSSOP, VSO	not recommended ⁽⁵⁾	suitable

Notes

1. All surface mount (SMD) packages are moisture sensitive. Depending upon the moisture content, the maximum temperature (with respect to time) and body size of the package, there is a risk that internal or external package cracks may occur due to vaporization of the moisture in them (the so called popcorn effect). For details, refer to the Drypack information in the *“Data Handbook IC26; Integrated Circuit Packages; Section: Packing Methods”*.
2. These packages are not suitable for wave soldering as a solder joint between the printed-circuit board and heatsink (at bottom version) can not be achieved, and as solder may stick to the heatsink (on top version).
3. If wave soldering is considered, then the package must be placed at a 45° angle to the solder wave direction. The package footprint must incorporate solder thieves downstream and at the side corners.
4. Wave soldering is only suitable for LQFP, TQFP and QFP packages with a pitch (e) equal to or larger than 0.8 mm; it is definitely not suitable for packages with a pitch (e) equal to or smaller than 0.65 mm.
5. Wave soldering is only suitable for SSOP and TSSOP packages with a pitch (e) equal to or larger than 0.65 mm; it is definitely not suitable for packages with a pitch (e) equal to or smaller than 0.5 mm.

Digital camera USB interface

SAA8115HL

17 DEFINITIONS

Data sheet status	
Objective specification	This data sheet contains target or goal specifications for product development.
Preliminary specification	This data sheet contains preliminary data; supplementary data may be published later.
Product specification	This data sheet contains final product specifications.
Limiting values	
Limiting values given are in accordance with the Absolute Maximum Rating System (IEC 134). Stress above one or more of the limiting values may cause permanent damage to the device. These are stress ratings only and operation of the device at these or at any other conditions above those given in the Characteristics sections of the specification is not implied. Exposure to limiting values for extended periods may affect device reliability.	
Application information	
Where application information is given, it is advisory and does not form part of the specification.	

18 LIFE SUPPORT APPLICATIONS

These products are not designed for use in life support appliances, devices, or systems where malfunction of these products can reasonably be expected to result in personal injury. Philips customers using or selling these products for use in such applications do so at their own risk and agree to fully indemnify Philips for any damages resulting from such improper use or sale.

19 PURCHASE OF PHILIPS I²C COMPONENTS



Purchase of Philips I²C components conveys a license under the Philips' I²C patent to use the components in the I²C system provided the system conforms to the I²C specification defined by Philips. This specification can be ordered using the code 9398 393 40011.

Philips Semiconductors – a worldwide company

Argentina: see South America

Australia: 3 Figtree Drive, HOMEBUSH, NSW 2140,
Tel. +61 2 9704 8141, Fax. +61 2 9704 8139

Austria: Computerstr. 6, A-1101 WIEN, P.O. Box 213,
Tel. +43 1 60 101 1248, Fax. +43 1 60 101 1210

Belarus: Hotel Minsk Business Center, Bld. 3, r. 1211, Volodarski Str. 6,
220050 MINSK, Tel. +375 172 20 0733, Fax. +375 172 20 0773

Belgium: see The Netherlands

Brazil: see South America

Bulgaria: Philips Bulgaria Ltd., Energoproject, 15th floor,
51 James Bourchier Blvd., 1407 SOFIA,
Tel. +359 2 68 9211, Fax. +359 2 68 9102

Canada: PHILIPS SEMICONDUCTORS/COMPONENTS,
Tel. +1 800 234 7381, Fax. +1 800 943 0087

China/Hong Kong: 501 Hong Kong Industrial Technology Centre,
72 Tat Chee Avenue, Kowloon Tong, HONG KONG,
Tel. +852 2319 7888, Fax. +852 2319 7700

Colombia: see South America

Czech Republic: see Austria

Denmark: Sydhavnsgade 23, 1780 COPENHAGEN V,
Tel. +45 33 29 3333, Fax. +45 33 29 3905

Finland: Sinikalliontie 3, FIN-02630 ESPOO,
Tel. +358 9 615 800, Fax. +358 9 6158 0920

France: 51 Rue Carnot, BP317, 92156 SURESNES Cedex,
Tel. +33 1 4099 6161, Fax. +33 1 4099 6427

Germany: Hammerbrookstraße 69, D-20097 HAMBURG,
Tel. +49 40 2353 60, Fax. +49 40 2353 6300

Hungary: see Austria

India: Philips INDIA Ltd, Band Box Building, 2nd floor,
254-D, Dr. Annie Besant Road, Worli, MUMBAI 400 025,
Tel. +91 22 493 8541, Fax. +91 22 493 0966

Indonesia: PT Philips Development Corporation, Semiconductors Division,
Gedung Philips, Jl. Buncit Raya Kav.99-100, JAKARTA 12510,
Tel. +62 21 794 0040 ext. 2501, Fax. +62 21 794 0080

Ireland: Newstead, Clonskeagh, DUBLIN 14,
Tel. +353 1 7640 000, Fax. +353 1 7640 200

Israel: RAPAC Electronics, 7 Kehilat Saloniki St, PO Box 18053,
TEL AVIV 61180, Tel. +972 3 645 0444, Fax. +972 3 649 1007

Italy: PHILIPS SEMICONDUCTORS, Via Casati, 23 - 20052 MONZA (MI),
Tel. +39 039 203 6838, Fax +39 039 203 6800

Japan: Philips Bldg 13-37, Kohnan 2-chome, Minato-ku,
TOKYO 108-8507, Tel. +81 3 3740 5130, Fax. +81 3 3740 5057

Korea: Philips House, 260-199 Itaewon-dong, Yongsan-ku, SEOUL,
Tel. +82 2 709 1412, Fax. +82 2 709 1415

Malaysia: No. 76 Jalan Universiti, 46200 PETALING JAYA, SELANGOR,
Tel. +60 3 750 5214, Fax. +60 3 757 4880

Mexico: 5900 Gateway East, Suite 200, EL PASO, TEXAS 79905,
Tel. +9-5 800 234 7381, Fax +9-5 800 943 0087

Middle East: see Italy

Netherlands: Postbus 90050, 5600 PB EINDHOVEN, Bldg. VB,
Tel. +31 40 27 82785, Fax. +31 40 27 88399

New Zealand: 2 Wagener Place, C.P.O. Box 1041, AUCKLAND,
Tel. +64 9 849 4160, Fax. +64 9 849 7811

Norway: Box 1, Manglerud 0612, OSLO,
Tel. +47 22 74 8000, Fax. +47 22 74 8341

Pakistan: see Singapore

Philippines: Philips Semiconductors Philippines Inc.,
106 Valero St. Salcedo Village, P.O. Box 2108 MCC, MAKATI,
Metro MANILA, Tel. +63 2 816 6380, Fax. +63 2 817 3474

Poland: Al.Jerozolimskie 195 B, 02-222 WARSAW,
Tel. +48 22 5710 000, Fax. +48 22 5710 001

Portugal: see Spain

Romania: see Italy

Russia: Philips Russia, Ul. Usatcheva 35A, 119048 MOSCOW,
Tel. +7 095 755 6918, Fax. +7 095 755 6919

Singapore: Lorong 1, Toa Payoh, SINGAPORE 319762,
Tel. +65 350 2538, Fax. +65 251 6500

Slovakia: see Austria

Slovenia: see Italy

South Africa: S.A. PHILIPS Pty Ltd., 195-215 Main Road Martindale,
2092 JOHANNESBURG, P.O. Box 58088 Newville 2114,
Tel. +27 11 471 5401, Fax. +27 11 471 5398

South America: Al. Vicente Pinzon, 173, 6th floor,
04547-130 SÃO PAULO, SP, Brazil,
Tel. +55 11 821 2333, Fax. +55 11 821 2382

Spain: Balmes 22, 08007 BARCELONA,
Tel. +34 93 301 6312, Fax. +34 93 301 4107

Sweden: Kottbygatan 7, Akalla, S-16485 STOCKHOLM,
Tel. +46 8 5985 2000, Fax. +46 8 5985 2745

Switzerland: Allmendstrasse 140, CH-8027 ZÜRICH,
Tel. +41 1 488 2741 Fax. +41 1 488 3263

Taiwan: Philips Semiconductors, 6F, No. 96, Chien Kuo N. Rd., Sec. 1,
TAIPEI, Taiwan Tel. +886 2 2134 2886, Fax. +886 2 2134 2874

Thailand: PHILIPS ELECTRONICS (THAILAND) Ltd.,
209/2 Sanpavuth-Bangna Road Prakanong, BANGKOK 10260,
Tel. +66 2 745 4090, Fax. +66 2 398 0793

Turkey: Yukari Dudullu, Org. San. Blg., 2.Cad. Nr. 28 81260 Umraniye,
ISTANBUL, Tel. +90 216 522 1500, Fax. +90 216 522 1813

Ukraine: PHILIPS UKRAINE, 4 Patrice Lumumba str., Building B, Floor 7,
252042 KIEV, Tel. +380 44 264 2776, Fax. +380 44 268 0461

United Kingdom: Philips Semiconductors Ltd., 276 Bath Road, Hayes,
MIDDLESEX UB3 5BX, Tel. +44 208 730 5000, Fax. +44 208 754 8421

United States: 811 East Arques Avenue, SUNNYVALE, CA 94088-3409,
Tel. +1 800 234 7381, Fax. +1 800 943 0087

Uruguay: see South America

Vietnam: see Singapore

Yugoslavia: PHILIPS, Trg N. Pasica 5/v, 11000 BEOGRAD,
Tel. +381 11 3341 299, Fax.+381 11 3342 553

For all other countries apply to: Philips Semiconductors,
International Marketing & Sales Communications, Building BE-p, P.O. Box 218,
5600 MD EINDHOVEN, The Netherlands, Fax. +31 40 27 24825

Internet: <http://www.semiconductors.philips.com>

© Philips Electronics N.V. 2000

SCA 69

All rights are reserved. Reproduction in whole or in part is prohibited without the prior written consent of the copyright owner.

The information presented in this document does not form part of any quotation or contract, is believed to be accurate and reliable and may be changed without notice. No liability will be accepted by the publisher for any consequence of its use. Publication thereof does not convey nor imply any license under patent- or other industrial or intellectual property rights.

Printed in The Netherlands

753505/03/pp56

Date of release: 2000 Jan 27

Document order number: 9397 750 06568

Let's make things better.

Philips
Semiconductors



PHILIPS