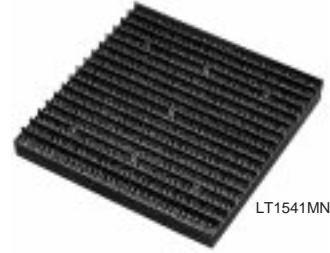


Dot Matrix LED Unit for Outdoor Use LT1541MN(Lamp Type,Water-proof Type)

■ Features

- No. of dots : 16X16dots
- Outline dimensions : 240X240mm
- Dot size : 13.0X13.0mm(Using oval lamp)
- Dot pitch : 14.9mm
- Radiation color : Yellow-green+Red(High-luminosity)dichromatic type
- Driving method : 1/8 duty dynamic drive



LT1541MN

■ Absolute Maximum Ratings

(Ta=25°C)

Parameter	Symbol	Rating	Unit
Supply voltage for IC	V _{CC}	-0.3 to +6.0	V
Supply voltage for LED	V _{LED}	-0.3 to +8.0	V
Input voltage	V _I	-0.3 to V _{CC} +0.3	V
Turn-on time	t _{ON}	1	ms
Operating temperature	T _{opr}	-20 to +75	°C
Storage temperature	T _{stg}	-25 to +100	°C
Power dissipation	P	59	W

■ Optical Characteristics

(V_{CC}=5V, V_{LED}=7.5V, Ta=25°C)

Parameter	Symbol	TYP.	Unit
Viewing angle	Horizontal	2θ ^{1/2}	°
Peak emission wavelength	Red	660	nm
	Yellow-green	565	

■ Luminance

Luminance is classified into 2 ranks shown below.

(V_{CC}=5V, V_{LED}=7.5V, Ta=25°C)

Radiation color	Rank		Unit
	1	2	
Red	1 300	1 690	cd/m ²
Yellow-green	1 000	1 300	

■ Terminal Functions

Connector	Symbol	Function
Power supply (CN1)	V _{LED}	Supply voltage for LED(+7.5V)
	V _{CC}	Supply voltage for IC(+5V)
	GND1	Ground for IC
	GND2	Ground for LED
Input signal (CN2)	A0 to A2	Address specification signal for column driver
	RDATA GDATA	Serial data input for each color(H:ON, L:OFF) Shift from up to down in the unit HD ₁₆ →HD ₃₁ →HD ₀ →HD ₁₅
	LATCH	Latch signal of display data H: Serial data is converted to parallel data. L: Contents are latched. LATCH signal is set up after switching address(A0 to A2)
	RENABLE GENABLE	Controls ON/OFF of each color of LED (H: LED OFF)
	CLOCK	Clock signal for data transmission in the shift-register.(L→H: serial data is shifted.)
	GND1	Ground for signal(Connected to ground for IC)
	Output signal (CN3)	A0 to A2
RDATA GDATA		Input signal generated through 32-bit shift register
LATCH		Buffered input signal
RENABLE GENABLE		Buffered input signal
CLOCK		Buffered input signal
GND1		Ground for signal(Connected to ground for IC)

Each signal is used as input signal for next unit.

* As for the terminal number, refer to the outline dimensions.

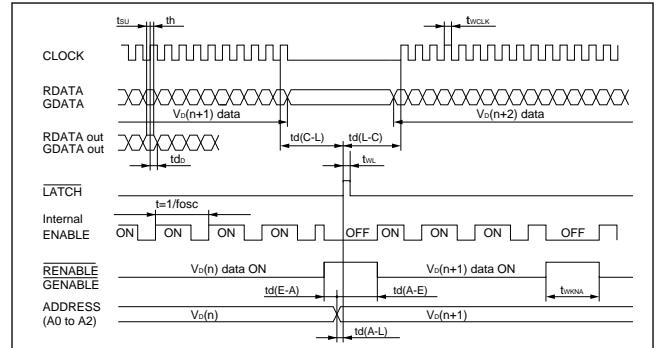
■ Electrical Characteristics

(V_{CC}=5V, V_{LED}=7.5V, Ta=25°C)

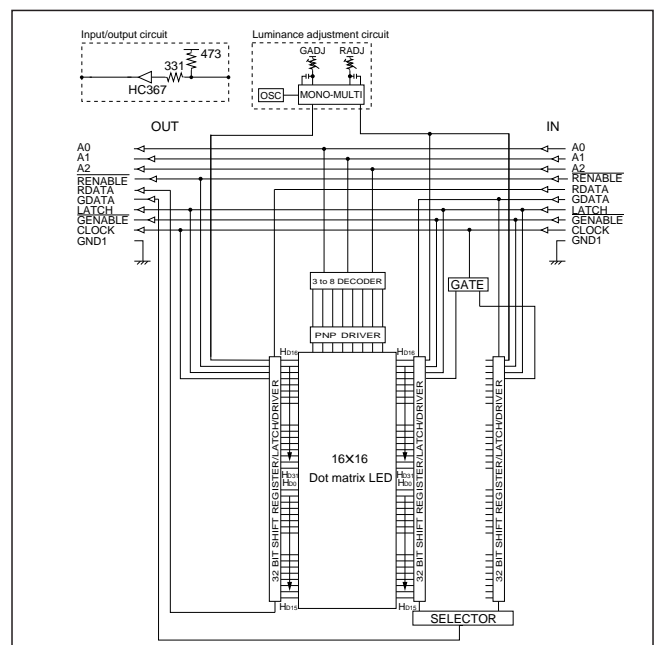
Parameter	Symbol	MIN.	TYP.	MAX.	Unit
Supply voltage for IC	V _{CC}	4.75	5.0	5.25	V
Supply voltage for LED	V _{LED}	7.0	7.5	7.75	V
IC current dissipation	I _{CC}	—	200	500	mA
LED current dissipation*1	I _{LED}	—	5.5	7.0	A
Input voltage	V _{IH}	3.5	—	—	V
	V _{IL}	—	—	1.5	V
Input current	I _{IH}	—	—	0.1	μA
	I _{IL}	—	—	0.12	mA
Clock frequency	f _{CLK}	—	—	10.0	MHz
Frame frequency	f _{FR}	250	400	3 000	Hz

*1 Under the condition that dichromatic all dots are lit.

■ Timing Chart



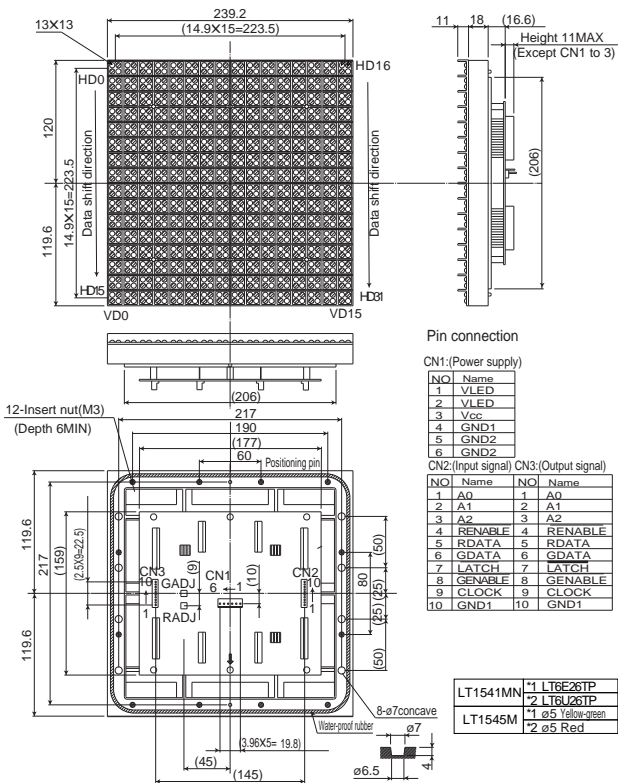
■ Block Diagram



(Notice) • In the absence of confirmation by device specification sheets, SHARP takes no responsibility for any defects that may occur in equipment using any SHARP devices shown in catalogs, data books, etc. Contact SHARP in order to obtain the latest device specification sheets before using any SHARP device.

(Internet) • Data for sharp's optoelectronic/power device is provided for internet.(Address <http://www.sharp.co.jp/ecg/>)

13



LT1541MN/LT1545M