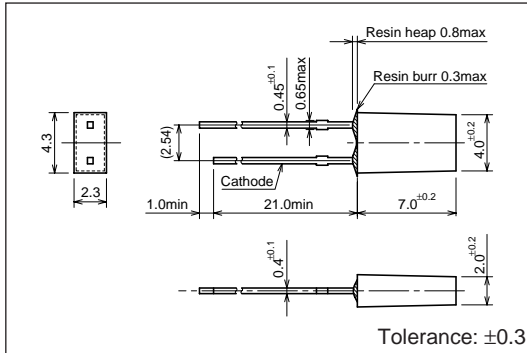


2×4 Rectangular LED (Direct Mount)

SEL4026 Series

External Dimensions (Unit: mm)



Absolute maximum ratings (Ta=25°C)

Symbol	Unit	Rating	Condition
I_F	mA	30	
ΔI_F	mA/°C	-0.45	Above 25°C
I_{FP}	mA	100	f=1kHz, $t_w \leq 100\mu s$
V_R	V	3	
Top	°C	-30 to +85	
Tstg	°C	-30 to +100	

Electrical Optical characteristics (Ta=25°C)

Emitting color	Part Number	Lens color	Forward voltage			Reverse current		Intensity		Peak wavelength		Spectrum half width		Chip material
			V_F (V)		Condition I_F (mA)	I_R (μA) max	V_R (V)	I_v (mcd) typ	Condition I_F (mA)	λ_P (nm) typ	Condition I_F (mA)	$\Delta\lambda$ (nm) typ	Condition I_F (mA)	
			typ	max										
Red	SEL4226C	Clear	1.9	2.5	10	50	3	12	20	630	10	35	10	GaAsP
	SEL4226R	Diffused red						10						
Amber	SEL4826A	Transparent orange	1.9	2.5	10	50	3	5.4	10	610	10	35	10	
	SEL4826D	Diffused orange						4.5						
Orange	SEL4926A	Transparent orange	1.9	2.5	10	50	3	6.0	10	587	10	33	10	
	SEL4926D	Diffused orange						4.5						
Yellow	SEL4726K	Transparent yellow	2.0	2.5	10	50	3	14.0	10	570	10	30	10	
	SEL4726Y	Diffused yellow						8.6						
Green	SEL4426E	Transparent green	2.0	2.5	10	50	3	20	20	560	10	20	10	
	SEL4426G	Diffused green						14						