

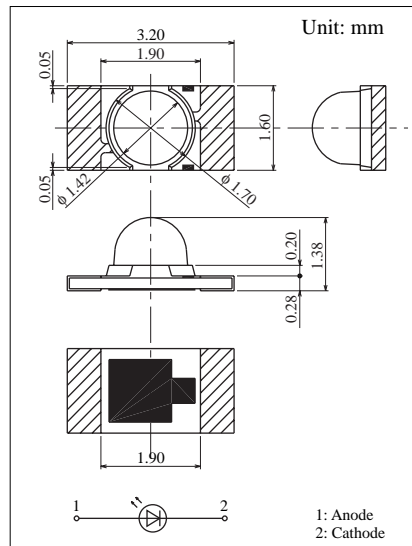
Dome-Lens Type

Conventional Part No. Global Part No. Lighting Color
 LNJ318C8TRU1 LNJ318C8TRU1 Green

■ Absolute Maximum Ratings ($T_a = 25^\circ\text{C}$)

Lighting Color	P_D (mW)	I_F (mA)	I_{FP} (mA)*	V_R (V)	T_{opr} ($^\circ\text{C}$)	T_{stg} ($^\circ\text{C}$)
Green	60	20	100	4	-30 ~ +85	-40 ~ +100

I_{FP} の条件は $duty$ 10% Pulse width 1 msec. The condition of I_{FP} is duty 10%, Pulse width 1 msec



■ Electro-Optical Characteristics ($T_a = 25^\circ\text{C}$)

Conventional Part No.	Lighting Color	Lens Color	I_O			V_F		λ_p	$\Delta\lambda$	I_F	I_R	
			Typ	Min	I_F	Typ	Max				Max	V_R
LNJ318C8TRU1	Green	Clear	12	6.4	10	2.03	2.6	565	30	10	10	4
Unit	—	—	mcd	mcd	mA	V	V	nm	nm	mA	μA	V

