

**Features**

- Integrated 10/100 Mbps Ethernet in a Single Chip Solution
- Single 3.3V Power Supply
- Half Duplex and Full Duplex in both 10BASE-T and 100BASE-TX
- Full MII for a Glueless MAC Connection
- Extended Register Set
- Integrated 10BASE-T Transceivers and Receive / Transmit Filters
- Integrated Adaptive Equaliser and Base Line Wander Correction (for FDDI Killer Packet)
- Full Auto-Negotiation Support for 10BASE-T and 100BASE-TX both Half and Full Duplex
- Link Status Change Interrupt
- Parallel Detection for Supporting Non Auto Negotiation in Legacy Link Partners
- Low Dynamic Current
- Deep Sleep Low Power Mode <1mA
- Internal Power on Reset
- 64 pin 1mm thick TQFP Package
- Single Magnetics for 10BASE-T and 100BASE-TX Operation for a Single RJ45 Connector
- Support for Flow Control 802.3 Specification
- Integrated 6 LED Driver

**Ordering Information**

NWK933/CG/TP1N

- Low External Component Count
- Loop-back mode for diagnostics
- Intelligent power management (auto shutdown, auto wake)
- Low Transmit Jitter

**Description**

The NWK933 is a single chip 3.3V CMOS physical layer solution from MII to the magnetics. It is designed for 10BASE-T and 100BASE-TX Ethernet, based on the IEEE 802.3 specifications.

The NWK933 is compatible with the Auto Negotiation section of IEEE 802.3u and provides all the support needed for the 802.3 Full duplex specification.

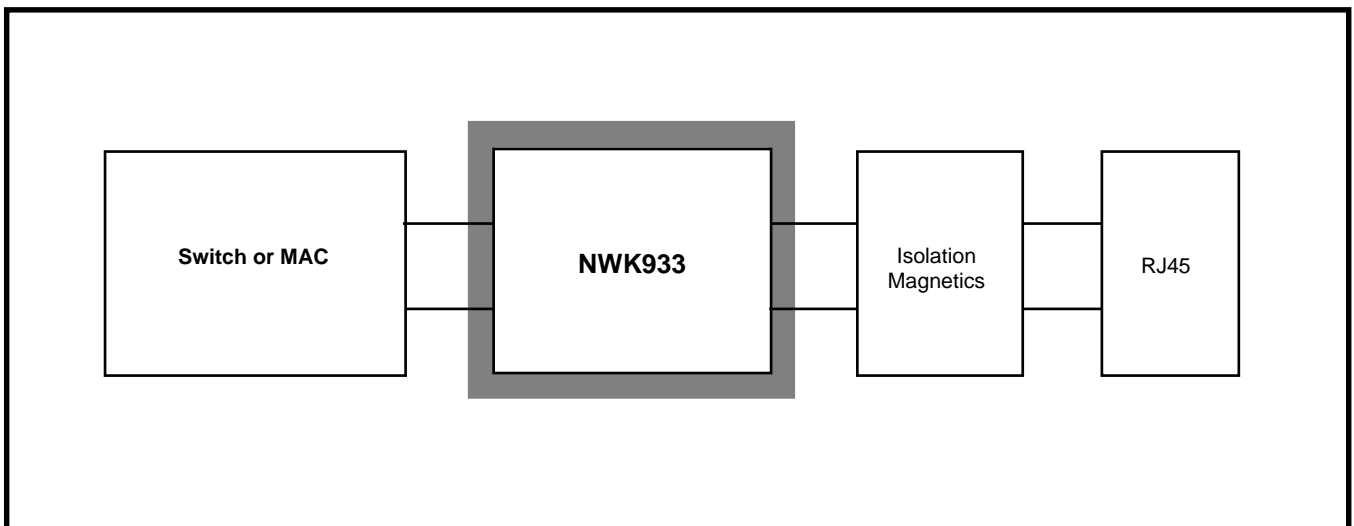


Figure 1 System block diagram

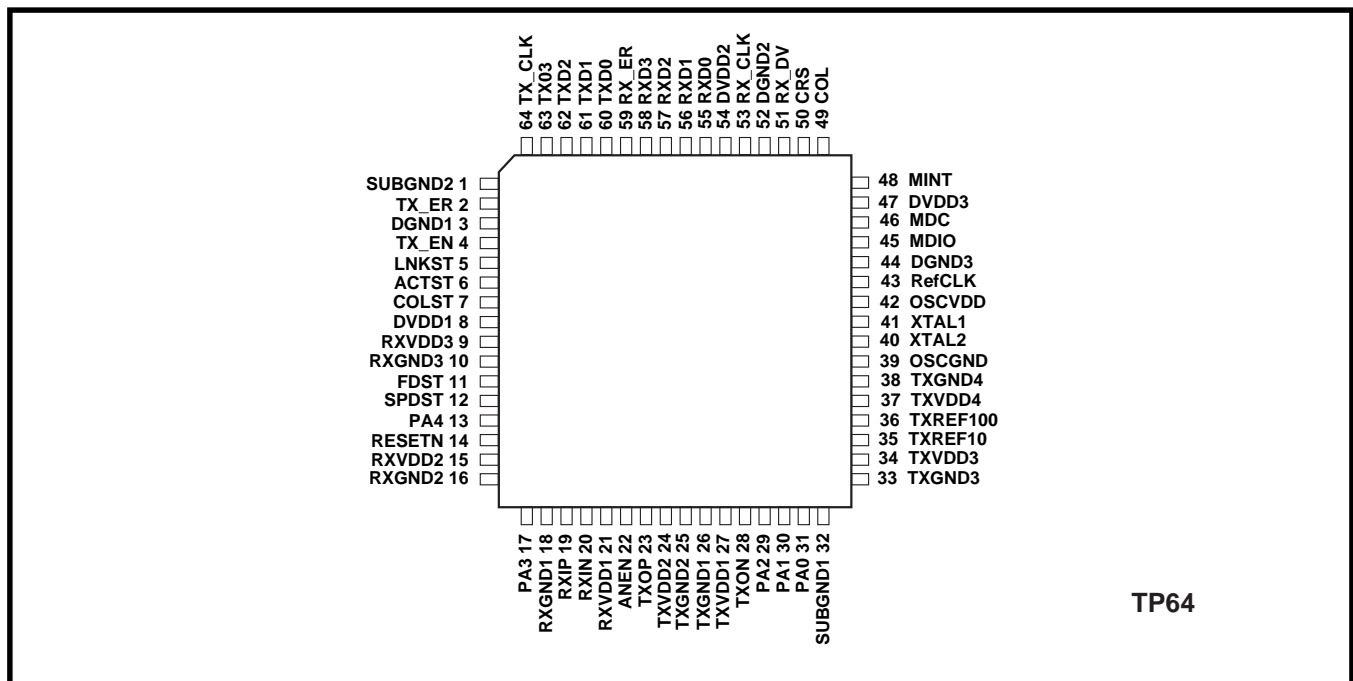


Figure 2 Pin connections

### Functional Description

The NWK933 has three basic modes of operation: 10BASE-T, 100BASE-TX and LOW POWER modes. The Control block is designed to manage these modes by starting and stopping the 10M and 100M transceivers in a well-controlled manner such that no spurious signals are output on either the MII or twisted-pair interfaces. Furthermore, it continuously monitors the behaviour of the transceivers and takes corrective action if a fault is detected.

Other modes described herein are repeater mode and reset mode.

### 25MHz Reference Clock

The NWK933 requires a 25MHz +/-100ppm timing reference for 802.3 compatible operation. This may be supplied either from the integrated oscillator or from an external source. When the integrated oscillator is used, a suitable crystal must be connected across the XTAL1 & XTAL2 pins (see “External Components”) and REFCLK must be tied low. When an external source is used, it must be input to the REFCLK pin and XTAL1 must be tied low. XTAL2 must be unconnected.

### 10Base-T Operation

#### 10Mb/s Data Transfer on the MII

10Mb/s data is transferred across the MII with clock speeds of 2.5MHz. The MAC outputs data to the NWK933 via the MII interface, on the TXD[3:0] bus. This data is synchronised to the rising edge of TX\_CLK. To indicate that there is valid data for transmission on the MII, the MAC sets the TX\_EN signal active. This forces the NWK933 device to take in the data on the TXD[3:0] bus. This is serialised and directly encoded as Manchester data, before being output on the TXOP/TXON differential output for transmission through 1:Ö2 magnetics and onto the twisted-pair.

The transmit current is governed by the current through the TXREF10 pin, which must be grounded through a resistor as described in “External Components”.

#### RX10 Clock Recovery

The NWK933 employs a digital delay line controlled by the 100MHz Synthesizer DLL to derive a sampling clock from the incoming signal. The recovered clock runs at twice the data rate (nominally 20MHz). When a signal is received from the Signal Detect block, it is used to strobe Link Pulses and Manchester encoded serial data.

The Manchester data stream will be decoded into a 4-bit parallel data bus, RXD[3:0]. The RXD bus is clocked out on RX\_CLK rising. The NWK933 must detect the first 4 bits of pre-amble before RX\_DV is set high. When RX\_DV is high, any Manchester coding violation will set RX\_ER high. RX\_DV is reset by a continuous sequence of zeroes, or by the end-of-packet IDLE terminator (11 11 00 00). Whilst RX\_DV is low, the data is invalid.

### 100MHz Synthesizer

This synthesizer employs a delay-locked loop (DLL) to generate a 100MHz timing reference from the 25MHz reference clock. This 100MHz reference is used by the 10BASE-T transmit and receive functions and is divided by 5 to provide a 20MHz data strobe. The 20MHz clock is used to derive the 2.5 MHz TX\_CLK in 10BASE-T mode. The synthesizer is disabled when not in 10BASE-T mode.

### TX10 Pulse Shaper & Filter

The Pulse Shaper & Filter employs a digital Finite Impulse Response filter (FIR) to pre-compensate for line distortion and to remove high frequency components in accordance with the 802.3 Standard. The Pulse Shaper & Filter is disabled when not in 10BASE-T mode.

### TX10 Latency

When connected to appropriate magnetics the latency through the TX10 path is less than 2BT (200ns) for data transmissions. This timing is measured from the rising edge of TX\_CLK to the output of the transmit magnetics. The TX10 path will not transmit up to the first two Manchester encoded bits of a data transmission, as permitted by the 802.3 Standard.

### RX10 Filter & RX10 Signal Detect

These blocks work in unison to remove noise and to block signals that do not achieve the voltage levels specified in 802.3. Signals that do not achieve the required level are not sampled in the Clock Recovery block and are not passed to the outputs.

### RX10 Latency

When connected to appropriate magnetics the latency through the RX10 path is less than 6BT (600ns). This timing is measured from the input of the receive magnetics to the rising edge of RX\_CLK. The RX10 path may ignore up to three Manchester encoded bits at the start of data reception (802.3 allows up to 5 bits).

### 100Base-TX Operation

#### 100Mb/s Data Exchange on the MII Interface

100Mb/s data is transferred across the MII with clock speeds of 25MHz. The MAC outputs data to the NWK933 via the MII interface, on the TXD[3:0] bus. This data is synchronised to the rising edge of TX\_CLK. To indicate that there is valid data for transmission on the MII, the MAC sets the TX\_EN signal active. This forces the NWK933 device to take in the data on the TXD[3:0] bus and replace the first octet of the MAC preamble with Start-of-Stream Delimiter (SSD) symbols to indicate the start of the Physical Layer Stream.

When the data transfer across the MII is complete, the MAC deasserts the TX\_EN signal and the NWK933 adds End-of-Stream Delimiters (ESD) symbols onto the end of the data stream. The complete data stream (the Physical Layer Stream) is encoded from 4 bits into 5 bits, scrambled, converted to MLT3 and driven to the TXOP and TXON pin differentially.

The TX100 path is disabled when not in 100BASE-TX mode and, with the exception of the RX100 Signal Detect, the RX100 Receive Path is disabled when not in 100BASE-TX mode.

### 125MHz Synthesizer

This synthesizer employs a phase-locked loop (PLL) to generate a 125MHz timing reference from the 25MHz reference clock. This 125MHz reference is used by the 100BASE-TX transmit function and is divided by 5 to provide a 25MHz data strobe on TX\_CLK. TX\_CLK is frequency and phase locked to the 25MHz reference with a small phase offset. The synthesizer is disabled when not in 100BASE-TX mode.

## **TX100 PISO, Encoder and Scrambler**

Data from the MII is loaded into the TX100 PISO, Encoder and Scrambler on the rising edge of TX\_CLK. It is converted to serial MLT3 for outputting to the TX100 Driver. The TXD[3] bit is output first. The PISO & Encoder do not operate until the 125MHz Synthesizer is locked to the 25MHz reference. This avoids transmission of spurious signals onto the twisted-pair.

## **TX100 Driver**

The TX100 Driver outputs the differential signal onto the TXOP and TXON pins. It operates with 1:root 2 magnetics to provide impedance matching and amplification of the signal in accordance with the 802.3 specifications. The transmit current is governed by the current through the TXREF100 pin, which must be grounded through a resistor as described in “External Components”. The TX100 driver is disabled in 10BASE-T mode and in loop back mode. If no data is being transmitted from the MAC, the NWK933 outputs idle symbols of 11111 (suitably scrambled).

## **TX100 Latency**

The transmit latency from the first TX\_CLK rising when TX\_EN is high to the first bit of the “J” symbol on the cable is 8BT.

## **RX100 Equalizer & Base-line Wander Correction**

The RX100 Equalizer compensates for the signal attenuation and distortion resulting from transmission down the cable and through the isolation transformers. The Equalizer is self-adjusting and is designed to restore signals received from up to 10dB cable attenuation (at 16MHz). When the Equalizer is active it adjusts to the incoming signal within 1ms. Thereafter, the Equalizer will continuously adjust to small variations in signal level without corrupting the received data.

The 100BASE-TX MLT3 code contains significant low frequency components which are not passed through the isolation transformers and cannot be restored by an adaptive equalizer. This leads to a phenomenon known as Base-line Wander which will cause an unacceptable increase in error rate if not corrected. The NWK933 employs a quantized feedback technique to restore the low frequency components and thus maintain a very low error rate even when receiving signals such as the “killer packet” described in the TP\_PMD spec.

## **RX100 Clock Recovery**

The RX100 Clock Recovery circuit uses a Phase-Locked Loop (PLL) to derive a sampling clock from the incoming signal. The recovered clock runs at the symbol bit rate rate (nominally 125MHz) and is used to clock the MLT3 decoder and the Serial to Parallel converter (SIPO).

The recovered clock is divided by 5 to generate the receive clock (RX\_CLK) which is used to strobe received data across the MII interface. When no signal is detected in 100BASE-TX mode, the PLL is locked to the reference clock and runs at 125MHz. This ensures that RX\_CLK runs continuously at 25MHz in 100BASE-TX mode. When a signal is present, the Clock Recovery PLL remains locked to the reference until the equalizer has adjusted, then it requires up to 1ms to phase lock to the incoming signal. No data is passed to the MII interface until lock is established.

## **RX100 SIPO, Decoder and Descrambler**

The RX100 SIPO, Decoder and Descrambler convert the received signal from serial MLT3 to 4-bit wide parallel receive data on the MII. This appears on the RXD[3:0] bus which is clocked out on the falling edge of RX\_CLK. When a frame starts the NWK933 decodes the SSD symbols and then asserts the RX\_DV signal, in order to inform the MAC that valid data is available. When the NWK933 detects the ESD, it deasserts the RX\_DV signal.

## **RX100 Latency**

The latency from the first bit of the “J” symbol on the cable to CRS assertion is between 11 and 15BT. The latency from the first bit of the “T” symbol on the cable to CRS de-assertion is between 19 and 23BT.

## **100Mb/s Transmit Errors**

If the NWK933 detects that the TX\_ER signal has gone active whilst the TX\_EN signal is active, then it will propagate the detected error onto the cable by transmitting the symbol “00100”. Figure 3 shows the meaning of the different states of TX\_EN and TX\_ER. TX\_ER is sampled inside the NWK933 on the rising edge of TX\_CLK.

TX_EN	TX_ER	TXD [3:0]	Indication
0	X	ignored	Normal inter frame data
1	0	0000 through 1111	Normal data transmission
1	1	0000 through 1111	Transmit error propagation

Figure 3. 100Mb/s Transmit Error States

### 100Mb/s Receive Errors

When there is no data on the cable, the receiver will see only the idle code of scrambled 1's. If a non idle symbol is detected, the receiver looks for the SSD so that it can align the incoming message for decoding. If any 2 non consecutive zeros are detected within 10 bits, but are not the SSD symbols a false carrier indication is signalled to the MII by asserting RX\_ER and setting RXD[3:0] to 1110 whilst keeping RX\_DV inactive. The remainder of the message is ignored until 10 bits of 1's are detected.

If any data is decoded after a SSD which is neither a valid data code nor an ESD, then an error is flagged by setting RX\_ER active whilst the RX\_DV signal is active. This also happens if 2 idle codes are detected before a valid ESD has been received or descramble synchronisation is lost during packet reception. The states of RX\_DV and RX\_ER are summarised in Figure 4. RX\_ER is clocked on the falling edge of RX\_CLK, and will remain active for at least 1 period of RX\_CLK.

RX_DV	RX_ER	RXD [3:0]	Indication
0	0	0000 through 1111	Normal inter frame
0	1	1110	False carrier indication
1	0	0000 through 1111	Normal data reception
1	1	0101 or 0110	Data reception with errors

Figure 4. 100Mb/s receive error states

### CONTROLS

Initialization, mode selection and other options are governed by the control inputs and register as described in the following paragraphs.

### Initialization (RESET\_N)

The NWK933 incorporates a power-on-reset circuit for self-initialization on power-up. During initialization the open-drain RESET\_N pin is driven low and all data outputs are disabled to prevent spurious outputs to the twisted-pair and to the MII interface. RESET\_N will remain low until the power supply has been stable for at least 400ns. The NWK933 will then release RESET\_N allowing the external pull-up to pull the pin high. Device initialisation will not commence until RESET\_N is high. This allows the user to extend the inactive period by externally holding RESET\_N low. It will not normally be necessary for the user to reset the NWK933 because it is designed to automatically recover from fault conditions. However, if required, the user may initialize the device by doing a hardware or software reset.

### Reset Mode

There are two types of reset in the NWK933 - hardware and software. The hardware reset is activated by setting the RESET\_N pin to logic 0, and holding it low for at least 100ns. This mode causes an over-all reset in the NWK933 - both analog and digital circuitry are reset. Whilst RESET\_N is low, the SPDST and FDST pins are inputs, and are used to determine the speed and duplex capability which will be advertised during auto-neg. A low on SPDST advertises 100M capability. A high on FDST advertises full duplex capability.

The software reset is activated by setting bit 15 in register 0 high. This bit is a self clear bit and causes a partial reset of the device.

Figure 5 summarises the different blocks to be reset and which reset will affect them:

Block	HW Reset	SW reset
management register	yes	yes
PCS state machine (RCV, XMT, ANEG)	yes	yes
XMT scrambler	yes	yes
RCV scramble	yes	yes
control state machine	yes	No
analog	yes	No

Figure 5. Effects of Reset

**Note:** Holding RESET\_N low will hold the device in a static, low power state.

## Low-Power Mode

This function is set via the management interface. Using MDC and MDIO, Bit 11 of register 0 is written high to put the NWK933 into Low-Power mode. The type of low power mode is dependant on bits 14 and 15 in register 24.

For 24[15:14] = 0:0 the 10BASE-T and 100BASE-TX transceivers are disabled. The oscillator continues to run. Both RX\_CLK and TX\_CLK are stopped, the RXD bus is held low and TXD, TXEN, and TXER are ignored. MDC and MDIO are still active for new commands. This mode is intended to conserve power when the network connection is not required and the TXOP/TXON output is undriven. Typical current consumption is less than 10mA.

For 24[15:14] = 0:1, everything is turned off, including the voltage references and the oscillator. This mode must be exited via the management interface. Typical current consumption is 0.5mA.

For 24[15:14] = 1:0, the only function available is the signal detect. The NWK933 will detect a signal amplitude on the cable and activate the interrupt. MINT can be selected as either an active low or high interrupt. Typical current consumption is less than 10mA.

For 24[15:14] = 1:1, the NWK933 will automatically power down into a sleep mode if no activity is seen on the cable for approx 2 seconds. Power up is also automatic if activity is seen. Typical current consumption is less than 10mA.

## Loopback Mode

Diagnostic loopback may be selected at any time by asserting setting Bit 14 in register 0. In 10BASE-T mode transmission to the TXOP/ TXON output will be stopped and the RX10 Clock Recovery will receive input from the TX10 transmit path rather than from the RXIP/RXIN inputs. In 100BASE-TX mode transmission to the TXOP/TXON output will be stopped and the RX100 Clock Recovery will receive input from the TX100 transmit path.

## Repeater Mode

The NWK933 can be put into Repeater Mode by setting register 24 bit 0 high. In this mode, the CRS will be active on receive only. In 100Mbps repeater mode, the NWK933 is able to perform a disconnect function from the MII. This function is enabled by bit 1 in register 24. (Note that if the device is not in repeater mode, this bit has no effect). The NWK933 will disconnect from the MII if it receives two

consecutive false CRS events with no good frame in between them or if a false CRS event is longer than 480 +/- 4BT. If the NWK933 receives a good carrier event (480 +/- 4BT) or a good idle event (idle symbols for a period of 25000 to 30000 bit time) it will resume frame transfer to the MII.

A false CRS event happens if, at the beginning of a carrier event, the JK symbols are not received correctly.

When the NWK933 is in 100M mode it will count all false CRS events in register 27 bits 7:0. This counter is self cleared upon read. If a disconnect event occurs between the consecutive reads of register 27, bit 15 in the register will set high.

### Auto-Negotiation Enable (ANEN)

Auto-negotiation may be hardware disabled by setting the ANEN pin to logic zero. During operation, auto-negotiation can be disabled by setting the ANEN pin low or by setting bit 12 of register 0 to zero. If auto-neg is disabled, the NWK933 will lose the link, and link will be re-established only after the NWK933 control state machine has determined the speed using bits 13 and 8 of register 0 to determine speed and duplex respectively.

## MII Management Interface, MDC and MDIO

The management interface is a 2 wire serial interface connecting a PHY to a management entity. The management unit controls the PHY and gathers information on the status of the PHY. It does this via the implemented registers using MDC to clock the data on the MDIO pin.

### Link Status Change Interrupt, MINT

MINT is, by default, an active low interrupt which is activated whenever a change in the link status occurs. It can be changed to be active high by setting bit 13 in register 24. The interrupt will remain active until the controller acknowledges the interrupt by writing to register 21 (any data). Should one or more link status changes occur between the assertion of MINT and an acknowledge, then MINT will be deasserted and then reasserted (deassertion time between 100ns and 150ns). Only a single interrupt event may be queued at any one time. Multiple status changes between an acknowledge will generate only a single queued interrupt.

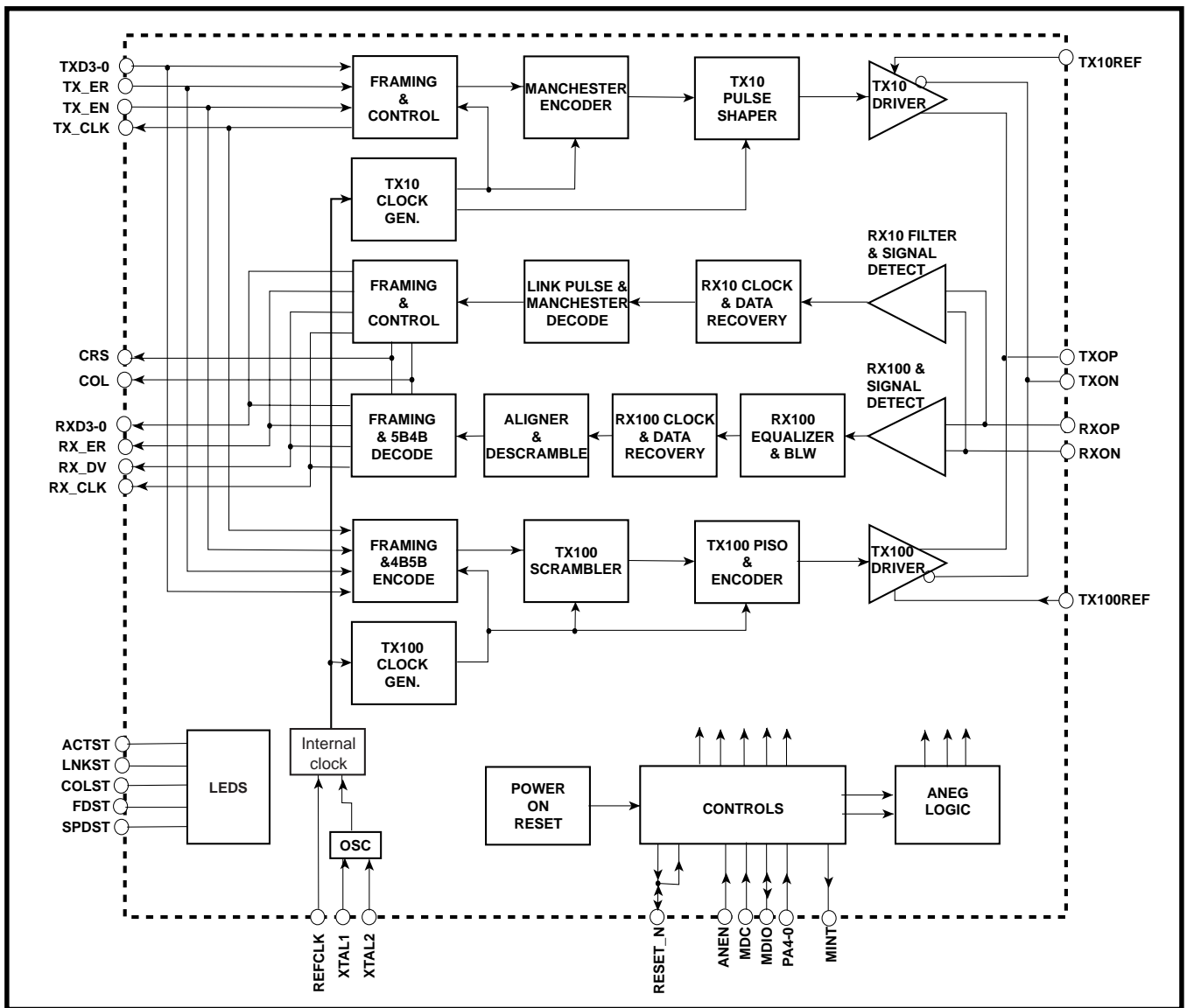


Figure 6 NWK933 block diagram

Pin list

Pin #	Name	Type	Description
<b>MD interface</b>			
20	RXIN	Input	Differential receive pair from magnetics (-)
19	RXIP	Input	Differential receive pair from magnetics (+)
28	TXON	Output	100 Differential transmit pair to magnetics (-)
23	TXOP	Output	100 Differential transmit pair to magnetics (+)
35	TXREF10	Input	10BASE-T transmitter current setting pin
36	TXREF100	Input	100BASE-TX transmitter current setting pin
14	RESETN	IOutput	Active low, power on reset output and external reset input
41	XTAL1	Input	25MHz crystal input
40	XTAL2	Input	25MHz crystal input
<b>MII interface</b>			
46	MDC	Input	Management interface clock (up to 2.5MHz)
45	MDIO	IOutput	Management data
53	RX_CLK	Output	Receive clock (2.5MHz for 10, 25MHz for 100)
55, 56, 57, 58	RXD0, RXD1, RXD2, RXD3	Output	Receive data MII interface
51	RX_DV	Output	Receive data valid. Active high.
59	RX_ER	Output	Receive error. Active high. (RXD4 in symbol mode)
43	REFCLK	Input	Reference clock
64	TX_CLK	Output	Transmit clock (2.5MHz for 10, 25MHz for 100)
60, 61, 62, 63	TXD0, TXD1, TXD2, TXD3	Input	Transmit Data MII interface
4	TX_EN	Input	Transmit Enable. Active high.
2	TX_ER	Input	Transmit Error. Active high. (TXD4 in symbol mode)
50	CRS	Output	Carrier sense signal. Active high.
49	COL	Output	Collision signal. Active high.
22	ANEN	Input	Auto Negotiation enable. Active high.
48	MINT	Output	MII interrupt control.
6	ACTST	Output	Receive / transmit active indication (LED interface). Active low.
7	COLST	Output	Collision active indication (LED interface) Active low.
11	FDST	IOutput	Full duplex indication when RESET_N high (LED interface). Active low. Input when RESET_N is low. High input means 933 advertises full duplex capability.
	5	LNKST	Output Link OK indication (LED interface). Active low.
12	SPDST	IOutput	Speed indication when RESET_N high (LED interface). High for 100Mb/s mode. Input when RESET_N is low. Low input means 933 advertises 100Mb/s capability.
31, 30, 29, 17, 13	PA0, PA1, PA2, PA3, PA4	Input	Phy address



**General**

The following is the register set that is implemented in the NWK933 device:

The interface to these registers is via the MDC and MDIO signals. The address of the NWK933 is specified by the PA<4:0> static inputs. The MD command is issued by the controller and can be read or write:

command	preamble	start data	op code	phy address	reg number	TA	Data
<b>READ</b>	32 bits of 1	01	10	5 bits	5 bits	Z0	16 bit from phy
<b>WRITE</b>	32 bits of 1	01	01	5 bits	5 bits	10	16 bit from MAC

SC = Self clear

RO = read only

RW = read or write

LL = latch low until register read

LH = latch high until register read

**Register Set**

**reg 0 - control register**

Bit	Bit name	Description	Default	R/W
0.15	Reset	1 = PHY reset 0 = Normal operation	0	RW SC
0.14	Loopback	1 = Loopback mode active 0 = Normal operation	0	RW
0.13	Speed selection	1 = 100 Mbps 0 = 10 Mbps	1	RW
0.12	ANEG enable	1 = Enable ANEG process 0 = Disable ANEG process	1	RW
0.11	Power down	1 = Power down active 0 = Normal operation	0	RW
0.10	Isolation	1 = isolation in process 0 = Normal operation	0	RW
0.9	Restart ANEG	1 = Restart the ANEG process 0 = Normal operation	0	RW SC
0.8	Duplex selection	1 = Full Duplex mode 0 = Half duplex mode	1	RW
0.7	Collision test	1 = Collision test active 0 = Normal operation	0	RW
0.6:0	Reserved	Write as 0 ignore on read.		

reg 1- status register

Bit	Bit name	Description	Default	R/W
1.15	100BaseT4	1 = PHY able to perform 100BaseT4 0 = PHY not able to perform 100BaseT4	0	RO
1.14	100BASE-TX - FDX	1 = PHY able to perform 100BASE-TX 0 = PHY not able to perform 100BASE-TX	1	RO
1.13	100BASE-TX - HDX	1 = PHY able to perform 100BASE-TX 0 = PHY not able to perform 100BASE-TX	1	RO
1.12	10BASE-T - FDX	1 = PHY able to perform 10BASE-T 0 = PHY not able to perform 10BASE-T	1	RO
1.11	10BASE-T - HDX	1 = PHY able to perform 10BASE-T 0 = PHY not able to perform 10BASE-T	1	RO
1.10	100BaseT2 - FDX	1 = PHY able to perform 100BaseT2 0 = PHY not able to perform 100BaseT2	0	RO
1.9	100BaseT2 - HDX	1 = PHY able to perform 100BaseT2 0 = PHY not able to perform 100BaseT2	0	RO
1.8:7	Reserved	ignore when read	0	RO
1.6	MF preamble suppression	1= Phy accept management frames with short preamble 0 = normal preamble only	0	RO
1.5	ANEG complete	1 = ANEG process completed 0 = ANEG process not completed or not active	0	RO
1.4	Remote fault	1= Remote fault condition detected 0 = no Remote fault condition detected	0	RO LH
1.3	ANEG able	1 = Phy is able to perform ANEG 0 = Phy is not able to perform ANEG	1	RO
1.2	Link status	1= Link is up 0 = Link is down	0	RO LL
1.1	Jabber detect	1 = jabber condition detected 0 = normal operation	0	RO
1.0	Extended regs	1 = extended register capability 0 = no extended registers	1	RO

reg 2/3- NWK933 Identifier register

Bit	Bit name	Description	Default	R/W
2.15:0	OUI	Mitel OUI bits	0282	RO
3.15:0	OUI/device ID	Mitel OUI bits and device code	1C7X	RO

**reg 4- ANEG advertisement register**

Bit	Bit name	Description	Default	R/W
4.15	NP	Next page able - the NWK933 is not able to perform next page	0	RO
4.14	reserved		0	RO
4.13	remote fault	0 = no remote fault detected 1 = a remote fault been detected	0	R/W
4.12:10	reserved		0	R/W
4.9:5	Technology	T4, 100Fdx, 100Hdx, 10Fdx, 10Hdx	0F	R/W
4.4:0	selector field		01	R/W

**reg 5- ANEG link partner ability register**

Bit	Bit name	Description	Default	R/W
5.15	NP	partner is next page capable	0	RO
5.14	ACK	partner sent an acknowledge bit	0	RO
5.13	remote fault	partner detected a remote fault	0	RO
5.12:5	ability	partner's technology ability	0	RO
5.4:0	selector field	partner selector field	0	RO

**reg 6- ANEG expansion register**

Bit	Bit name	Description	Default	R/W
6.15:5	reserved		0	RO
6.4	parallel detect fault	0 = aneg process finished. No fault detected 1 = a fault has been detected	0	RO LH
6.3	link partner next page able	0 = Link partner is not next page able 1 = Link partner is next page able	0	RO
6.2	next page able	0 = NWK933 is not able for next page	0	RO
6.1	Page received	0 = no new page been received 1 = a new page has been received and is in reg 5	0	RO LH
6.0	link partner aneg able	0 = Link partner is not aneg able 1 = Link partner is aneg able	0	RO

**reg 16, 17, 18, 19, 20 - Test registers**

Bit	Bit name	Description	Default	R/W
15:0	reserved	test mode only	0000	res

reg 21 - MII interrupt control register

Bit	Bit name	Description	Default	R/W
21.15:0	Clear Interrupt	Write any data pattern to clear MINT	0	WO

reg 22, 23 - Test registers

Bit	Bit name	Description	Default	R/W
15:0	reserved	test mode only	0000	res

reg 24- NWK933 specific register

Bit	Bit name	Description	Default	R/W
24.15:14	PWRCON[1:0]	Low power controls: 00 = full receive path active. No transmit. 01 = Deep sleep (all off including VREF & OSC) 10 = Sleep (generate MII interrupt on activity) 11 = auto shut down, auto wake on activity	00	RW
24.13	MINTPOL	1 = MINT output active high 0 = MINT output active low	0	RW
24.12	Pol Dis	1 = disable 10Base-T autopolarity correction	0	RW
24.11	SQE disable	1 = disable SQE in 10Base-T half duplex mode	0	RW
24.10	JAB disable	0 = in case of jabber the 10Base-T will cut the transmitted frame (normal operation) 1 = Jabber function disable	0	RW
24.9	loop 10	1 = enable MII loopback in 10Base-T half duplex mode	0	RW
24.8	Force RX	Force receive regardless of link	0	RW
24.7	Force TX	Force transmit regardless of link	0	RW
24.6	CRS_CTL	CRS behavior in full duplex mode:- 0 = CRS is active for transmit only 1 = CRS active for receive or transmit	0	RW
24.5	MF	1 = MDIO data accepted without preamble	0	RW
24.4	Byp ALIGN	0 = normal operation 1 = bypass the aligner function	0	RW
24.3	Byp ENC	0 = normal operation 1 = bypass the 4B5B encoder function	0	RW
24.2	Byp SCR	0 = normal operation 1 = bypass the scrambler function	0	RW
24.1	DISCEN	0 = disable disconnection events 1 = enable disconnect on false carrier detection	0	RW
24:0	RPTR	Set repeater mode (affects CRS generation)	0	RW

**reg 25 - ANEG status**

Bit	Bit name	Description	Default	R/W
25.15:14	reserved	test mode only - do not set high	0	RO
25.13	Pol	1 indicates polarity reversal on RX inputs (10Base-T)	0	RO
25.12:8	PA	copy of PHY address pins	PA<4:0>	RO
25.7	aneg complete	1 = aneg completed 0 = aneg did not complete (same as reg1.5)	0	RO
25.6	Duplex	ANEG result - duplex operation 0 = HDX, 1 = FDX	0	RO
25.5	speed	ANEG result - speed of operation 0 = 10M, 1 = 100M	0	RO
25.4	ability mtc	1 = abilities match between registers 4 & 5	0	RO
25.3:0	ANEG state	ANEG state machine current state	0	RO

**reg 26 - Symbol error counter**

Bit	Bit name	Description	Default	R/W
26.15:0	RX_ERR counter	number of RX_ERR events since last read - Clears either in change of speed or read of this reg.	0	RO SC

**reg 27 - False carrier event counter**

Bit	Bit name	Description	Default	R/W
27.15	disconnect	the disconnect mechanism status	0	RO LH
27.14:8	reserved		0	RO
27.7:0	false CRS counter	number of False CRS events since last read. Active only when DISCEN = 1".	0	RO SC

**reg 28, 29, 30, 31 - Test registers**

Bit	Bit name	Description	Default	R/W
15:0	reserved	test mode only	0000	res

**Operating Conditions**

Supply voltage +3.0V to 3.6V  
 Ambient temperature 0°C to +70°C

**DC Electrical Characteristics**

Recommended operating conditions apply except where stated.

Characteristic	Symbol	Value		Units	Conditions
		Min	Max		
<b>DC parameters - input</b>					
High level input voltage	$V_{IH}$	2	$V_{DD}$	V	no pull up including package
Low level input voltage	$V_{IL}$	$V_{SS}$	0.8	V	
High level input current	$I_{IH}$	-	1	$\mu A$	
Low level input current	$I_{IL}$	-	-1	$\mu A$	
Pin capacitance to ground		-	8	pF	
<b>DC parameters - output -6mA buffers</b>					
High level output voltage	$V_{OH}$	2.4	$V_{DD}$	V	0.4V to 2.4V into 20pF load 0.4V to 2.4V into 20pF load
Low level output voltage	$V_{OL}$	$V_{SS}$	0.4	V	
High level output current	$I_{OH}$	-	-6	mA	
Low level output current	$I_{OL}$	-	6	mA	
Rise time		-	4	nS	
Fall time		-	4	nS	
Pin capacitance to ground		-	8	pF	
<b>Differential Output</b>					
Peak Differential Voltage		2.2	2.8	V	10Mbs mode
High Level		0.95	1.05	V	100Mbs mode
Zero Level		-0.05	0.05	V	100Mbs mode
low Level		-1.05	-0.95	V	100Mbs mode

Note: Differential outputs are 802.3 compliant

**AC Electrical Characteristics**

Recommended operating conditions apply except where stated.

Characteristic	Symbol	Value		Units	Conditions
		Min	Max		
<b>Differential Output</b>					
Baseline to +Vout		3	5	nS	100Mbs mode
Baseline to -Vout		3	5	nS	100Mbs mode
+Vout to Baseline		3	5	nS	100Mbs mode
-Vout to Baseline		3	5	nS	100Mbs mode

Note: Differential outputs are 802.3 compliant

**AC Electrical Characteristics (continued)**

Recommended operating conditions apply except where stated.

Characteristic	Symbol	Value		Units	Conditions
		Min	Max		
<b>REFCLK</b> Frequency Duty cycle		25±100ppm 45	55	MHz %	
<b>RXCLK</b> Frequency Duty cycle Frequency Duty cycle		25±100ppm 40	60	MHz % MHz %	100Mbps mode 100Mbps mode 10Mbps mode 10Mbps mode
<b>TXCLK</b> Frequency Duty cycle Frequency Duty cycle		25±100ppm 40	60	MHz % MHz %	100Mbps mode 100Mbps mode 10Mbps mode 10Mbps mode
<b>MDC</b> Frequency Minimum high/low		- 160	2.5 -	MHz ns	
<b>Supply Current</b>  10 Base-T Idle 10 Base-T Active 100 Base-T Idle 100 Base-T Active Sleep Mode Deep sleep mode Resetn = 0		<b>Typ</b> 80 180 128 133 5 0.25 1	<b>Max</b> 90 200 145 150 6 1 2	mA mA mA mA mA mA mA	Measured at 3.3V Room Temperature These Figures include the current flowing in the Transmit resistors

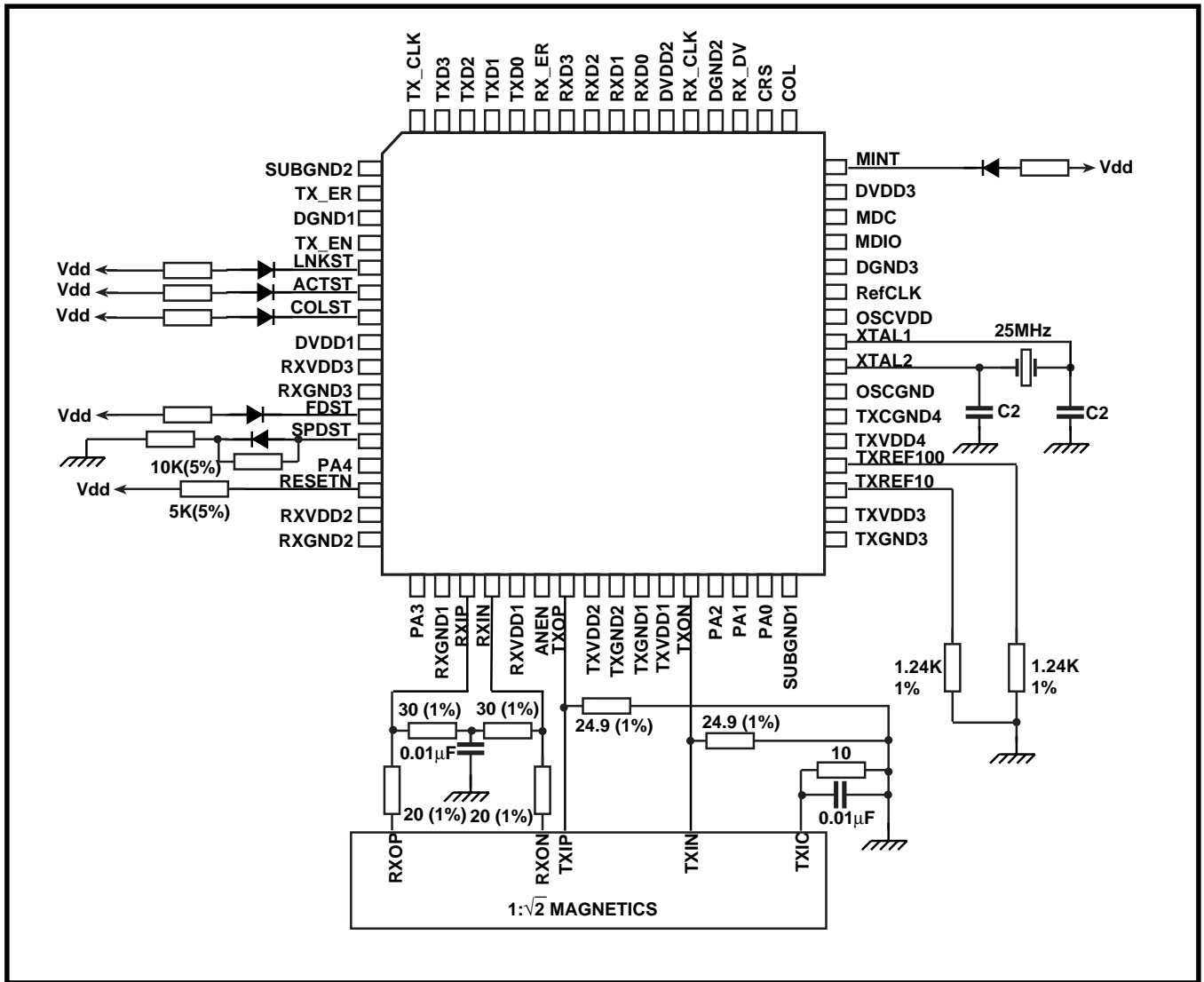


Figure 7 External Components

**EXTERNAL COMPONENTS**

**Connecting an External 25MHz Reference**

If an external clock is used then it should be driven into the REFCLK input, and XTAL1 must be connected to ground. XTAL2 must be left unconnected. If a crystal is used, REFCLK must be connected to ground.

**RESETN Pull-up Resistor**

This resistor is required regardless of whether or not RESETN is used externally.

**RX Input Decoupling**

The method of using a split input load resistor and de-coupling the centre tap reduces common mode noise.

**Crystal Oscillator**

For IEEE802.3 compliance the oscillator must run at 25MHz ±100ppm. The NWK933 on-chip circuitry contributes less than 40ppm variability to the oscillator frequency, therefore the crystal must be specified to 60ppm. This must include variations due to temperature and ageing. The crystal must be capable of dissipating 0.5mW of power.

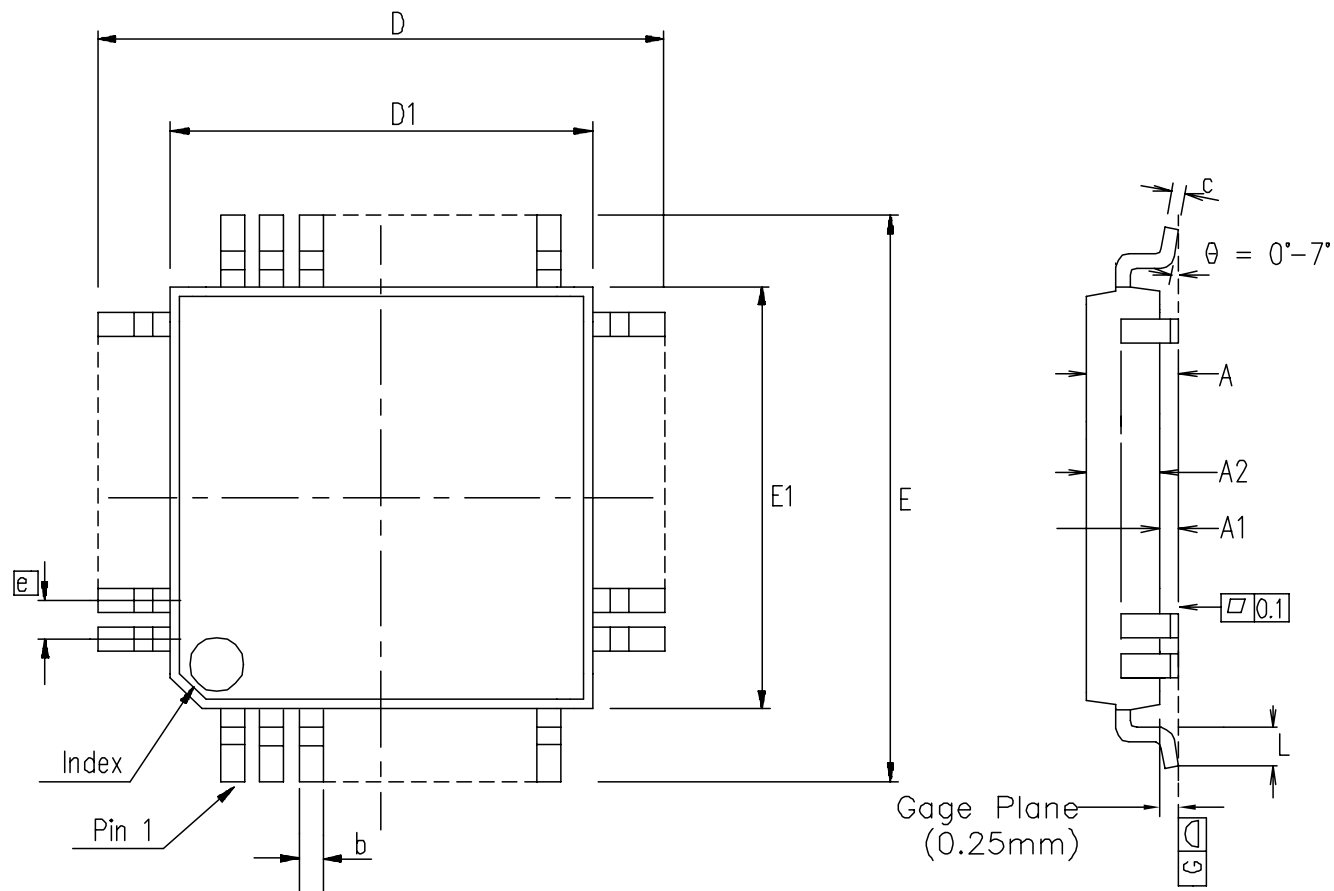
External capacitors are required on the XTAL1 & XTAL2 pins. Manufacturer's recommendations should be followed.

Tracking to the crystal and the capacitors must be as short as possible. Other signal paths must not cross the area.

The NWK933 is supported by the following magnetics:

VENDOR	MAGNETICS
Pulse	H1119





Symbol	Control Dimensions in millimetres		Altern. Dimensions in inches	
	MIN	MAX	MIN	MAX
A	---	1.20	---	0.047
A1	0.05	0.15	0.002	0.006
A2	0.95	1.05	0.037	0.041
D	12.00 BSC		0.472 BSC	
D1	10.00 BSC		0.394 BSC	
E	12.00 BSC		0.472 BSC	
E1	10.00 BSC		0.394 BSC	
L	0.45	0.75	0.018	0.030
e	0.50 BSC		0.020 BSC	
b	0.17	0.27	0.007	0.011
c	0.09	0.20	0.004	0.008
Pin features				
N	64			
ND	16			
NE	16			
NOTE	SQUARE			

Conforms to JEDEC MS-026 ACD Iss. C

Notes:

1. Pin 1 indicator may be a corner chamfer, dot or both.
2. Controlling dimensions are in millimeters.
3. The top package body size may be smaller than the bottom package body size by a max. of 0.15 mm.
4. Dimension D1 and E1 do not include mould protusion.
5. Dimension b does not include dambar protusion.
6. Coplanarity, measured at seating plane G, to be 0.08 mm max.

ISSUE	1	2			
ACN	203170	207075			
DATE	14OCT97	5JUL99			
APPROVED					

MITEL SEMICONDUCTOR

Title:  
Package Outline Drawing for 64 Lds TQFP (TP)  
(10 x 10 x 1.0)mm, Body + 2mm

Drawing Number  
GPD00450



<http://www.mitelsemi.com>

**World Headquarters - Canada**

Tel: +1 (613) 592 2122  
Fax: +1 (613) 592 6909

**North America**

Tel: +1 (770) 486 0194  
Fax: +1 (770) 631 8213

**Asia/Pacific**

Tel: +65 333 6193  
Fax: +65 333 6192

**Europe, Middle East,  
and Africa (EMEA)**

Tel: +44 (0) 1793 518528  
Fax: +44 (0) 1793 518581

Information relating to products and services furnished herein by Mitel Corporation or its subsidiaries (collectively "Mitel") is believed to be reliable. However, Mitel assumes no liability for errors that may appear in this publication, or for liability otherwise arising from the application or use of any such information, product or service or for any infringement of patents or other intellectual property rights owned by third parties which may result from such application or use. Neither the supply of such information or purchase of product or service conveys any license, either express or implied, under patents or other intellectual property rights owned by Mitel or licensed from third parties by Mitel, whatsoever. Purchasers of products are also hereby notified that the use of product in certain ways or in combination with Mitel, or non-Mitel furnished goods or services may infringe patents or other intellectual property rights owned by Mitel.

This publication is issued to provide information only and (unless agreed by Mitel in writing) may not be used, applied or reproduced for any purpose nor form part of any order or contract nor to be regarded as a representation relating to the products or services concerned. The products, their specifications, services and other information appearing in this publication are subject to change by Mitel without notice. No warranty or guarantee express or implied is made regarding the capability, performance or suitability of any product or service. Information concerning possible methods of use is provided as a guide only and does not constitute any guarantee that such methods of use will be satisfactory in a specific piece of equipment. It is the user's responsibility to fully determine the performance and suitability of any equipment using such information and to ensure that any publication or data used is up to date and has not been superseded. Manufacturing does not necessarily include testing of all functions or parameters. These products are not suitable for use in any medical products whose failure to perform may result in significant injury or death to the user. All products and materials are sold and services provided subject to Mitel's conditions of sale which are available on request.

M Mitel (design) and ST-BUS are registered trademarks of MITEL Corporation  
Mitel Semiconductor is an ISO 9001 Registered Company  
Copyright 1999 MITEL Corporation  
All Rights Reserved  
Printed in CANADA

TECHNICAL DOCUMENTATION - NOT FOR RESALE