

Ordering Information

ZL60006TED SC Housing
 ZL60006/TBD TO-46 with lens
 ZL60006/TDD ST Housing
-40°C to +85°C

Features

- Data rate up to 3.125 Gbps
- 1310 nm, 1550 nm PIN photodiode
- TO-46 Assembly
- Integrated TIA and limiting amplifier
- Single 3.3 V supply
- Low power consumption

Applications

- Sonet OC-48
- SDH STM-16
- 2.125 Gbps fiber channel
- 2.5 to 3.125 Gbps general application

Description

This optical receiver is a 3.3 V device which contains a PIN photodiode and a low noise transimpedance with limiting amplifier in a TO-46 package with lens cap. It is designed for OC-48 operation and single mode fiber. Reliability Assurance based on Telcordia GR-468-CORE.

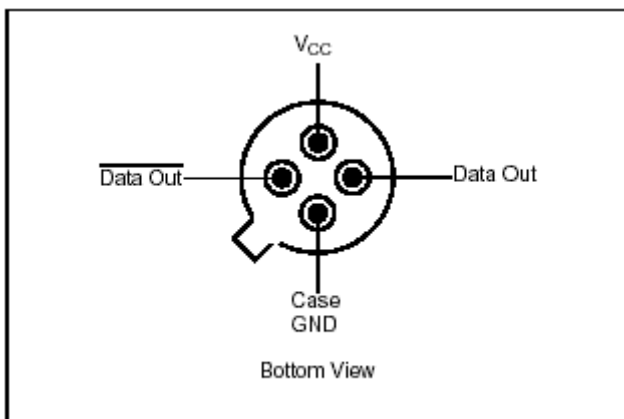


Figure 1 - Pin Diagram

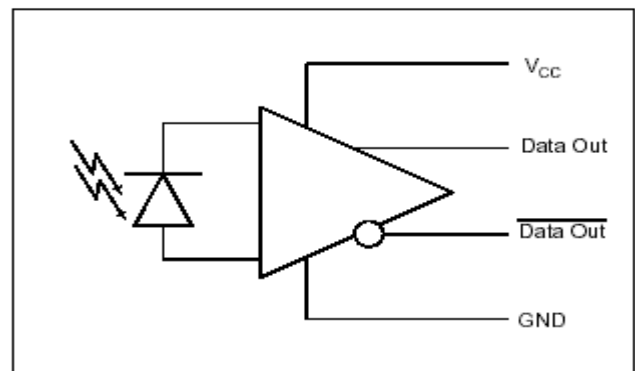


Figure 2 - Functional Schematic

Optical and Electrical Characteristics

Parameter	Symbol	Min.	Typ.	Max.	Unit	Test Condition
Responsivity, differential	R	4	6		kV/W	$\lambda=1310$ nm, $R_L=100 \Omega$, Note 1
Output voltage amplitude, differential	ΔV_O	200	300		mV _{pp}	$R_L=100 \Omega$ Note 2
Bandwidth (3 dB _{el})	f_c		2.0		GHz	Pf = 10 μ W, $R_L=100 \Omega$
Optical Saturation Level	P_{sat}	1			dBm	$\lambda=1310$ nm, $ER = \infty$ Note 3
Noise-Equivalent Power	NEP		-35	-30	dBm	$\lambda=1310$ nm, Note 4
Sensitivity (BER 10^{-9})	s		-25	-23	dBm	$\lambda=1310$ nm, $ER = \infty$ Note 3
Dynamic Range			24		dB	
Output Resistance (single)	R_o		50		Ω	
Power Dissipation	P_D		85	140	mW	
Power Supply Current	I_{DD}		25	38	mA	Data & Data AC Coupled

Operating Conditions: 25°C Case Temperature/3.3 V Supply Voltage/Fiber: Single-mode 10/125 μ m fiber.
PRBS Pattern $2^{23}-1$ at 2.5 Gbps.

Note 1: Pf = 10 μ W Peak-Peak Power

Note 2: Pf = 500 μ W Peak-Peak Power

Note 3: Measured at 10^{-10} BER with a $2^{23}-1$ PRBS at 2.5 Gbps

Note 4: Measured with STM-16 filter on electrical output, i.e., 1.875 GHz

Absolute Maximum Ratings

Parameter	Symbol	Min.	Max.	Unit
Supply Voltage	V_{CC}	0	3.6	V
Storage Temperature	T_{stg}	-40	125	°C

Recommended Operating Conditions

Parameter	Symbol	Min.	Typ.	Max.	Unit
Supply Voltage	$V_{CC}-V_{EE}$	3	3.3	3.6	V
Operating Temperature	T_{op}	-40		85	°C
Signalling Rate, Note 5	f_D	1		3.125	Gbps

Note 5: Data pattern are to have maximum runlength and DC-balance shifts no more than that of a PRBS-31 pattern.

Typical Responsivity

	Wavelength	Fiber core/cladding diameter numerical aperture
		10/125 μm , NA=0.11
Differential responsivity	1310 nm	6 kV/W
Differential responsivity	1550 nm	7.4 kV/W

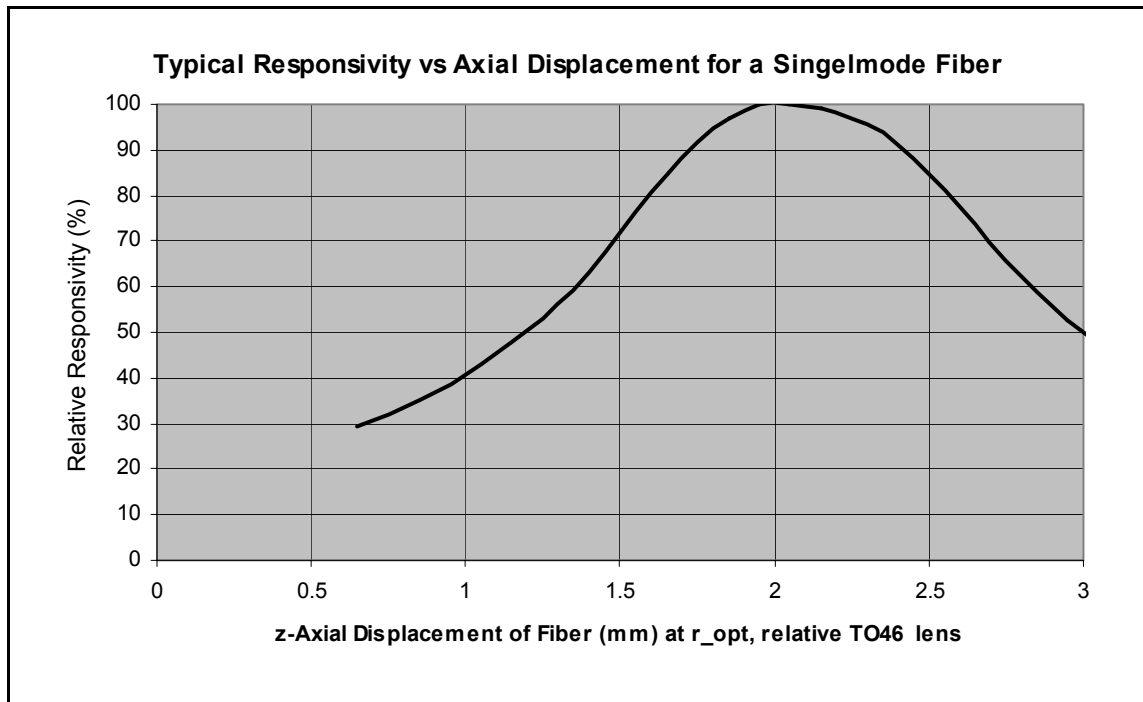


Figure 3 - Typical Responsivity vs Axial Displacement for a Singelmode Fiber

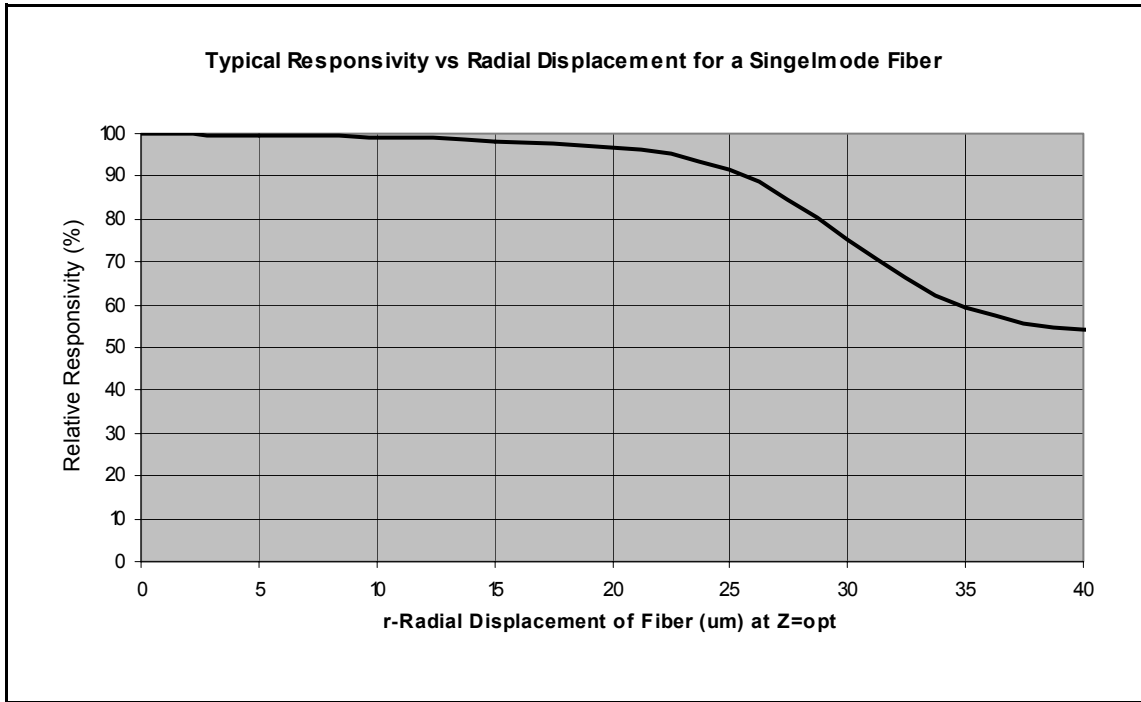


Figure 4 - Typical Responsivity vs Radial Displacement for a Singelmode Fiber

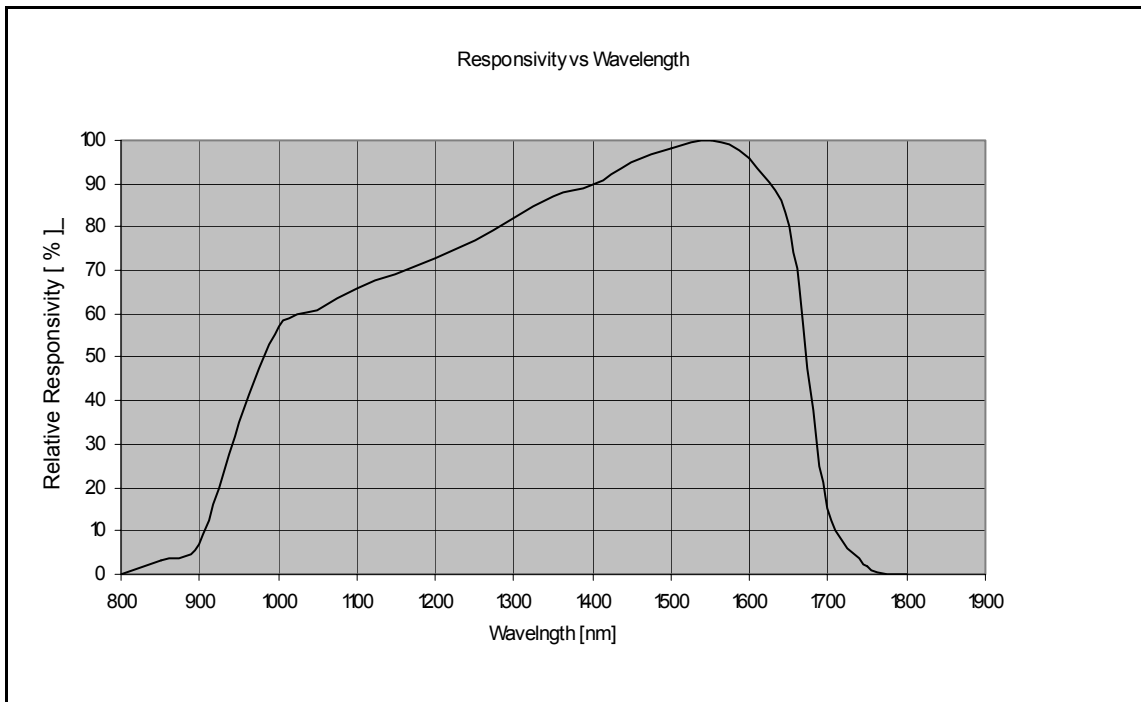


Figure 5 - Responsivity vs Wavelength of Coupled Input Power

Application Guidelines



ESD handling

The receiver is sensitive to electrostatic discharges. When handling the device, precautions for ESD sensitive devices should be taken. These precautions include use of ESD protected work area with wrist straps, controlled work benches, floors etc.

Power Supply Filter

Power Supply decoupling capacitors are recommended for optimal performance of the receiver. A filter is recommended to minimize power supply noise, see Figure 6.

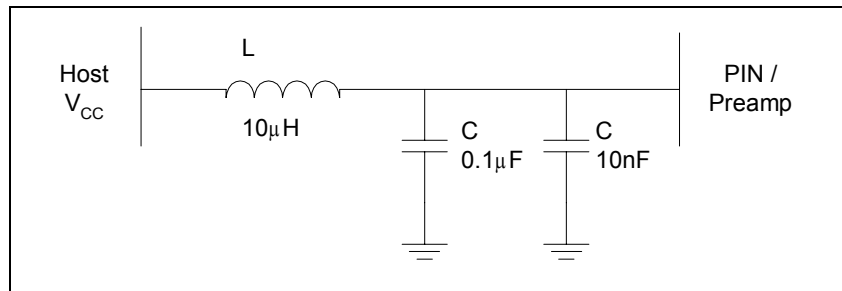
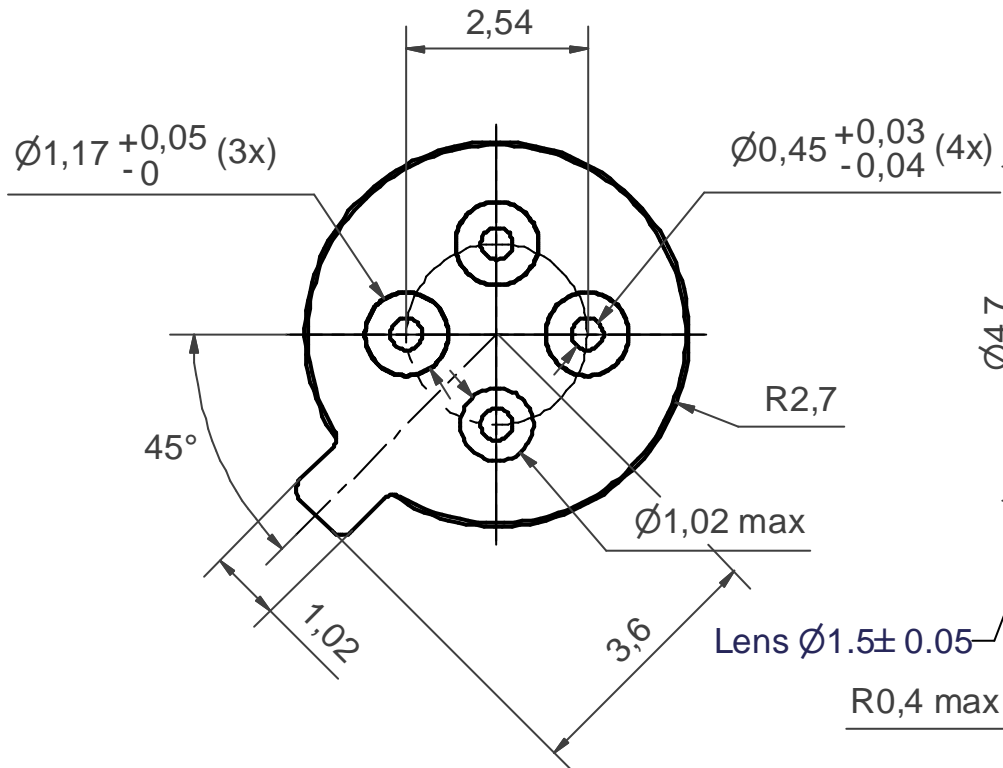


Figure 6 - Recommended Power Supply Filter

Data Outputs

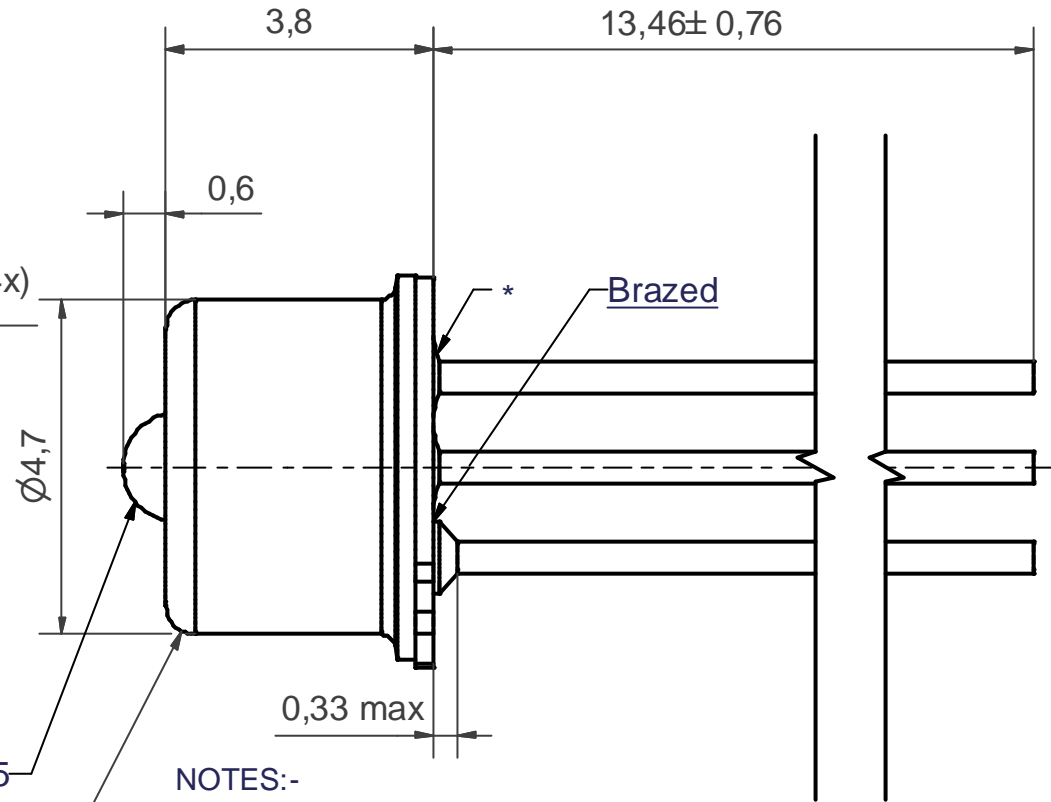
The outputs Data and $\overline{\text{Data}}$, need to be AC-coupled. Typical value for the capacitors are 0.1 μF .

BOTTOM VIEW (10 : 1)



* 0,25 max glass overmould (3x)

SIDE VIEW



NOTES:-

1. All dimensions in mm.
2. General tol. ISO-2768-mK.
3. Coating: Case: Ni 1,5-2,5 μ m.
Header: Ni min 0,5 μ m / Au min 1,5 μ m.

© Zarlink Semiconductor 2002. All rights reserved.

ISSUE	1			
ACN	JS004078R1A			
DATE	22-MAR-03			
APPRD.	TD/BE			



Previous package codes

Package code **TB**

Drawing type
Package drawing, TO-46 with lens

Title **JS004078**



**For more information about all Zarlink products
visit our Web Site at
www.zarlink.com**

Information relating to products and services furnished herein by Zarlink Semiconductor Inc. or its subsidiaries (collectively "Zarlink") is believed to be reliable. However, Zarlink assumes no liability for errors that may appear in this publication, or for liability otherwise arising from the application or use of any such information, product or service or for any infringement of patents or other intellectual property rights owned by third parties which may result from such application or use. Neither the supply of such information or purchase of product or service conveys any license, either express or implied, under patents or other intellectual property rights owned by Zarlink or licensed from third parties by Zarlink, whatsoever. Purchasers of products are also hereby notified that the use of product in certain ways or in combination with Zarlink, or non-Zarlink furnished goods or services may infringe patents or other intellectual property rights owned by Zarlink.

This publication is issued to provide information only and (unless agreed by Zarlink in writing) may not be used, applied or reproduced for any purpose nor form part of any order or contract nor to be regarded as a representation relating to the products or services concerned. The products, their specifications, services and other information appearing in this publication are subject to change by Zarlink without notice. No warranty or guarantee express or implied is made regarding the capability, performance or suitability of any product or service. Information concerning possible methods of use is provided as a guide only and does not constitute any guarantee that such methods of use will be satisfactory in a specific piece of equipment. It is the user's responsibility to fully determine the performance and suitability of any equipment using such information and to ensure that any publication or data used is up to date and has not been superseded. Manufacturing does not necessarily include testing of all functions or parameters. These products are not suitable for use in any medical products whose failure to perform may result in significant injury or death to the user. All products and materials are sold and services provided subject to Zarlink's conditions of sale which are available on request.

Purchase of Zarlink's I²C components conveys a licence under the Philips I²C Patent rights to use these components in and I²C System, provided that the system conforms to the I²C Standard Specification as defined by Philips.

Zarlink, ZL and the Zarlink Semiconductor logo are trademarks of Zarlink Semiconductor Inc.

Copyright Zarlink Semiconductor Inc. All Rights Reserved.

TECHNICAL DOCUMENTATION - NOT FOR RESALE
