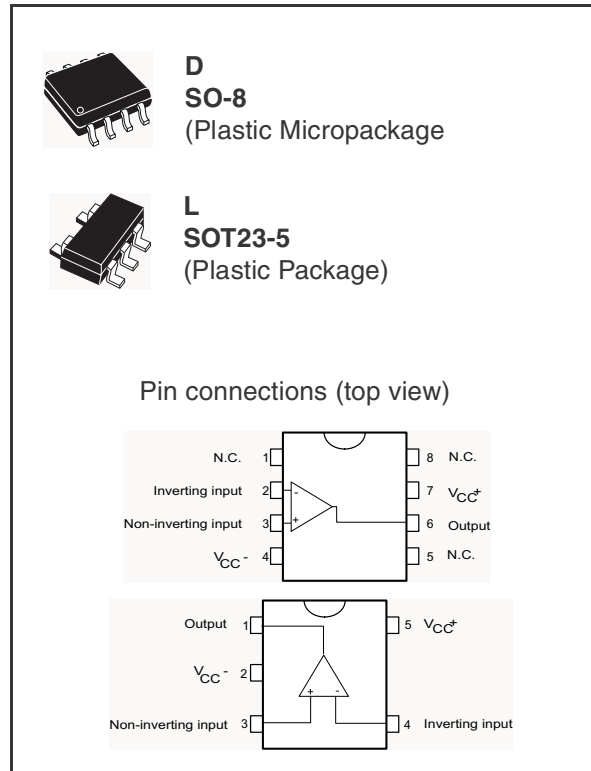


## Low Power Single Operational Amplifier

- Large output voltage swing:
- 0 to 3.5V min. (@ $V_{CC} = 5V$ )
- Low supply current: 500 $\mu$ A
- Low input bias current: 20nA
- Low input offset voltage: 2mV max.
- Wide power supply range:
- Single supply: +3V to +30V
- Dual supplies:  $\pm 1.5V$  to  $\pm 15V$
- Stable with high capacitive loads

### Description

The TS321 is intended for cost-sensitive applications where space saving is of great importance. This bipolar op-amp offers the benefits of a reduced component size (SOT23-5 package), with specifications that match (or are better) industry standard devices (like the popular LM358A, LM324, etc.). The TS321 has an input common mode range ( $V_{icm}$ ) that includes ground, and therefore can be employed in single supply applications.

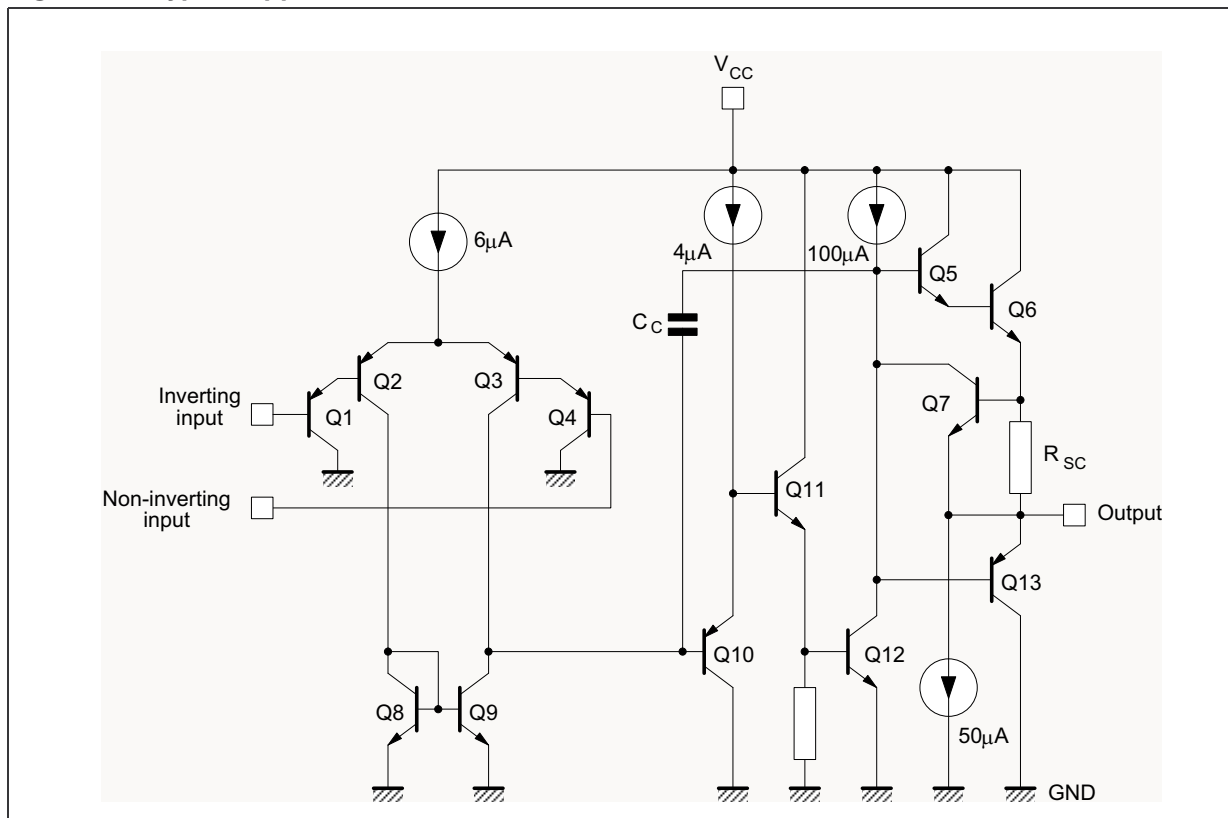


### Order Codes

Part Number	Temperature Range	Package	Packaging	Marking
TS321ILT	-40°C, +125°C	SOT23-5L	Tape & Reel	K401
TS321ID/IDT		SO8	Tube or Tape & Reel	321I
TS321AILT		SOT23-5L	Tape & Reel	K402
TS321AID/AIDT		SO8	Tube or Tape & Reel	321AI
TS321IYLT		SOT23-5L (automotive grade level)	Tape & Reel	K406
TS321AIYLT				
TS321IYD/IYDT		SO-8 (automotive grade level)	Tube or Tape & Reel	
TS321AIYD/AIYDT				

# 1 Typical Application Schematics

Figure 1. Typical application schematics



## 2 Absolute Maximum Ratings

**Table 1. Key parameters and their absolute maximum ratings**

Symbol	Parameter	Value	Unit
$V_{CC}$	Supply Voltage	$\pm 16$ to 32	V
$V_i$	Input Voltage	-0.3 to +32	V
$V_{id}$	Differential Input Voltage	+32	V
	Output Short-circuit Duration - note <sup>(1)</sup>	Infinite	
$I_{in}$	Input Current - note <sup>(2)</sup>	50	mA
$T_{oper}$	Operating Free Air Temperature Range	-40 to +125	°C
$T_{stg}$	Storage Temperature Range	-65 to +150	°C
$R_{thja}$	Thermal Resistance Junction to Ambient <sup>(3)</sup> SOT23-5 SO8	250 125	°C/W
$R_{thjc}$	Thermal Resistance Junction to Case SOT23-5 SO8	81 40	°C/W
ESD	HBM: Human Body Model <sup>(4)</sup>	300	V
	MM: Machine Model <sup>(5)</sup>	200	V

- Short-circuits from the output to  $V_{CC}$  can cause excessive heating if  $V_{CC} > 15V$ . The maximum output current is approximately 40mA independent of the magnitude of  $V_{CC}$ .
- This input current only exists when the voltage at any of the input leads is driven negative. It is due to the collector-base junction of the input PNP transistor becoming forward biased and thereby acting as input diodes clamps. In addition to this diode action, there is also NPN parasitic action on the IC chip. This transistor action can cause the output voltages of the Op-amps to go to the  $V_{CC}$  voltage level (or to ground for a large overdrive) for the time duration than an input is driven negative. This is not destructive and normal output will set up again for input voltage higher than -0.3V.
- Short-circuits can cause excessive heating. Destructive dissipation can result from simultaneous short-circuit on all amplifiers. All values are typical.
- Human body model, 100pF discharged through a 1.5k $\Omega$  resistor into pin of device.
- Machine model ESD, a 200pF cap is charged to the specified voltage, then discharged directly into the IC with no external series resistor (internal resistor < 5 $\Omega$ ), into pin to pin of device.

### 3 Electrical Characteristics

**Table 2.**  $V_{CC}^+ = +5V$ ,  $V_{CC}^- = \text{Ground}$ ,  $V_o = 1.4V$ ,  $T_{amb} = +25^\circ C$  (unless otherwise specified)

Symbol	Parameter	Conditions	Min.	Typ.	Max.	Unit
$V_{io}$	Input Offset Voltage <sup>(1)</sup>	$T_{amb} = +25^\circ C$ TS321A $T_{min.} \leq T_{amb} \leq T_{max.}$ TS321A		0.5	4 2 5 3	mV
$I_{io}$	Input Offset Current	$T_{amb} = +25^\circ C$ $T_{min.} \leq T_{amb} \leq T_{max.}$		2	30 50	nA
$I_{ib}$	Input Bias Current <sup>(2)</sup>	$T_{amb} = +25^\circ C$ $T_{min.} \leq T_{amb} \leq T_{max.}$		20	150 200	nA
$A_{vd}$	Large Signal Voltage Gain	$V_{CC}^+ = +15V$ , $R_L = 2k\Omega$ , $V_o = 1.4V$ to $11.4V$ $T_{amb} = +25^\circ C$ $T_{min.} \leq T_{amb} \leq T_{max.}$	50 25	100		V/mV
SVR	Supply Voltage Rejection Ratio	$R_s \leq 10k\Omega$ $V_{CC}^+ = 5$ to $30V$ $T_{amb} = +25^\circ C$	65	110		dB
$I_{CC}$	Supply Current, no load	$T_{amb} = +25^\circ C$ , $V_{CC} = +5V$ $V_{CC} = +30V$ $T_{min.} \leq T_{amb} \leq T_{max.}$ , $V_{CC} = +5V$ $V_{CC} = +30$		500 600 600	800 900 900 1000	$\mu A$
$V_{icm}$	Common Mode Input Voltage Range <sup>(3)</sup>	$V_{CC} = +30V$ $T_{amb} = +25^\circ C$ $T_{min.} \leq T_{amb} \leq T_{max.}$	0 0		$V_{CC} - 1.5$ $V_{CC} - 2$	V
CMR	Common Mode Rejection Ratio	$R_s \leq 10k\Omega$ $T_{amb} = +25^\circ C$	65	85		dB
$I_{source}$	Output Current Source	$V_{id} = +1V$ $V_{CC} = +15V$ , $V_o = +2V$	20	40		mA
$I_{sink}$	Output Sink Current	$V_{id} = -1V$ $V_{CC} = +15V$ , $V_o = +2V$ $V_{CC} = +15V$ , $V_o = +0.2V$	10 12	20 50		mA $\mu A$
$I_o$	Short Circuit to Ground	$V_{CC} = +15V$		40	60	mA
$V_{OH}$	High Level Output Voltage	$V_{CC} = +30V$ $T_{amb} = +25^\circ C$ , $R_L = 2k\Omega$ $T_{min.} \leq T_{amb} \leq T_{max.}$ $T_{amb} = +25^\circ C$ , $R_L = 10k\Omega$ $T_{min.} \leq T_{amb} \leq T_{max.}$ $V_{CC} = +5V$ , $R_L = 2k\Omega$ $T_{amb} = +25^\circ C$ $T_{min.} \leq T_{amb} \leq T_{max.}$	26 25.5 27 26.5 3.5 3	27 28		V
$V_{OL}$	Low Level Output Voltage	$R_L = 10k\Omega$ $T_{amb} = +25^\circ C$ $T_{min.} \leq T_{amb} \leq T_{max.}$		5	15 20	mV

Table 2.  $V_{CC}^+ = +5V$ ,  $V_{CC}^- = \text{Ground}$ ,  $V_o = 1.4V$ ,  $T_{amb} = +25^\circ C$  (unless otherwise specified)

Symbol	Parameter	Conditions	Min.	Typ.	Max.	Unit
SR	Slew Rate	$V_{CC} = +15V$ , $V_i = 0.5$ to $3V$ , $R_L = 2k\Omega$ , $C_L = 100pF$ , $T_{amb} = +25^\circ C$ , unity gain		0.4		$V/\mu s$
GBP	Gain Bandwidth Product	$V_{CC} = 30V$ , $f = 100kHz$ , $T_{amb} = +25^\circ C$ , $V_{in} = 10mV$ , $R_L = 2k\Omega$ , $C_L = 100pF$		0.8		MHz
$\phi_m$	Phase Margin			60		Degrees
THD	Total Harmonic Distortion	$f = 1kHz$ , $A_V = 20dB$ , $R_L = 2k\Omega$ , $V_o = 2V_{pp}$ , $C_L = 100pF$ , $T_{amb} = +25^\circ C$ , $V_{CC} = 30V$		0.015		%
$e_n$	Equivalent Input Noise Voltage	$f = 1kHz$ , $R_s = 100\Omega$ , $V_{CC} = 30V$		40		$\frac{nV}{\sqrt{Hz}}$

- $V_o = 1.4V$ ,  $R_s = 0W$ ,  $5V < V_{CC+} < 30V$ ,  $0 < V_{ic} < V_{CC+} - 1.5V$
- The direction of the input current is out of the IC. This current is essentially constant, independent of the state of the output so no loading change exists on the input lines.
- The input common-mode voltage of either input signal voltage should not be allowed to go negative by more than  $0.3V$ . The upper end of the common-mode voltage range is  $V_{CC+} - 1.5V$ , but either or both inputs can go to  $+32V$  without damage.

Figure 2.  $I_{CC} = f(t)$

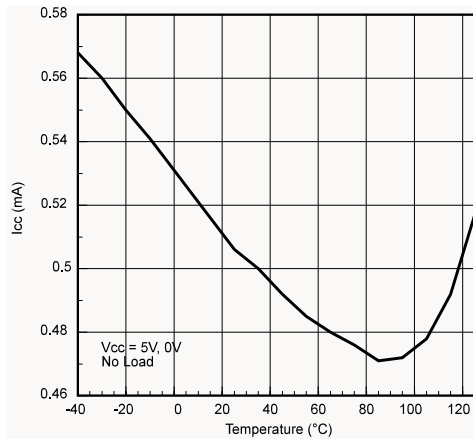


Figure 3. AC coupled inverting amplifier

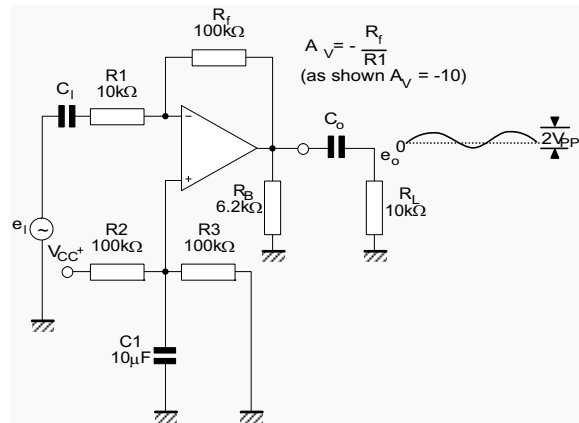


Figure 4. Non-inverting DC gain

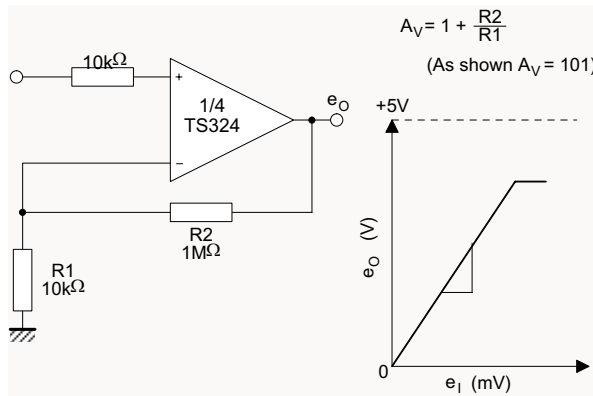


Figure 5. AC coupled non-inverting amplifier

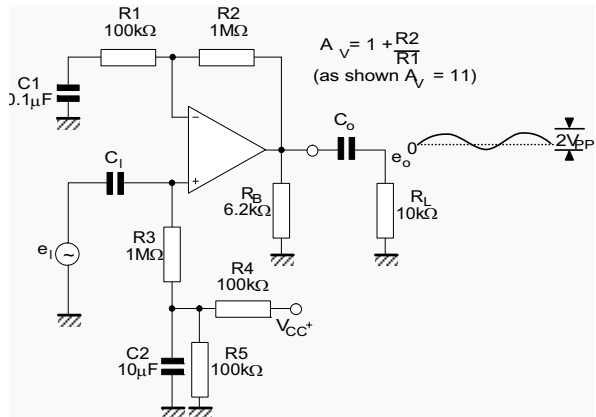
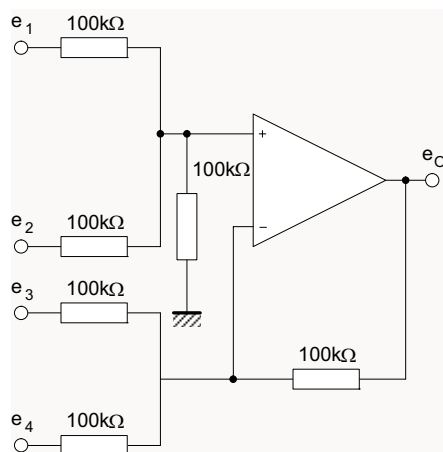


Figure 6. DC summing amplifier



## 4 Macromodel

**Note:**

*Please consider following remarks before using this macromodel:  
 All models are a trade-off between accuracy and complexity (i.e. simulation time).  
 Macromodels are not a substitute to breadboarding; rather, they confirm the validity of a design approach and help to select surrounding component values.  
 A macromodel emulates the NOMINAL performance of a TYPICAL device within SPECIFIED OPERATING CONDITIONS (i.e. temperature, supply voltage, etc.). Thus the macromodel is often not as exhaustive as the datasheet, its goal is to illustrate the main parameters of the product.  
 Data issued from macromodels used outside of its specified conditions (Vcc, Temperature, etc) or even worse: outside of the device operating conditions (Vcc, Vicm, etc) are not reliable in any way.*

```
** Standard Linear Ics Macromodels, 1993.
** CONNECTIONS :
* 1 INVERTING INPUT
* 2 NON-INVERTING INPUT
* 3 OUTPUT
* 4 POSITIVE POWER SUPPLY
* 5 NEGATIVE POWER SUPPLY
.SUBCKT TS321 1 2 3 4 5
*****
.MODEL MDTH D IS=1E-8 KF=3.104131E-15 CJO=10F
* INPUT STAGE
CIP 2 5 1.000000E-12
CIN 1 5 1.000000E-12
EIP 10 5 2 5 1
EIN 16 5 1 5 1
RIP 10 11 2.600000E+01
RIN 15 16 2.600000E+01
RIS 11 15 2.003862E+02
DIP 11 12 MDTH 400E-12
DIN 15 14 MDTH 400E-12
VOFP 12 13 DC 0
VOFN 13 14 DC 0
IPOL 13 5 1.000000E-05
CPS 11 15 3.783376E-09
DINN 17 13 MDTH 400E-12
VIN 17 5 0.000000E+00
DINR 15 18 MDTH 400E-12
VIP 4 18 2.000000E+00
FCP 4 5 VOFP 3.400000E+01
FCN 5 4 VOFN 3.400000E+01
FIBP 2 5 VOFN 2.000000E-03
FIBN 5 1 VOFP 2.000000E-03
* AMPLIFYING STAGE
FIP 5 19 VOFP 3.600000E+02
FIN 5 19 VOFN 3.600000E+02
RG1 19 5 3.652997E+06
RG2 19 4 3.652997E+06
CC 19 5 6.000000E-09
```

```

DOPM 19 22 MDTH 400E-12
DONM 21 19 MDTH 400E-12
HOPM 22 28 VOUT 7.500000E+03
VIPM 28 4 1.500000E+02
HONM 21 27 VOUT 7.500000E+03
VINM 5 27 1.500000E+02
EOUT 26 23 19 5 1
VOUT 23 5 0
ROUT 26 3 20
COUT 3 5 1.000000E-12
DOP 19 25 MDTH 400E-12
VOP 4 25 2.242230E+00
DON 24 19 MDTH 400E-12
VON 24 5 7.922301E-01
.ENDS

```

**Table 3.**  $V_{CC^+} = 3V$ ,  $V_{CC^-} = 0V$ ,  $R_L$ ,  $C_L$  connected to  $V_{CC/2}$ ,  $T_{amb} = 25^\circ C$  (unless otherwise specified)

Symbol	Conditions	Value	Unit
$V_{io}$		0	mV
$A_{vd}$	$R_L = 2k\Omega$	100	V/mV
$I_{CC}$	No load, per operator	300	$\mu A$
$V_{icm}$		0 to +3.5	V
$V_{OH}$	$R_L = 2k\Omega$	+3.5	V
$V_{OL}$	$R_L = 2k\Omega$	5	mV
$I_{os}$	$V_o = 0V$	40	mA
GBP	$R_L = 2k\Omega$ , $C_L = 100pF$	0.8	MHz
SR	$R_L = 2k\Omega$ , $C_L = 100pF$	0.4	V/ $\mu s$
$\varnothing m$	$R_L = 2k\Omega$ , $C_L = 100pF$	60	Degrees



Figure 7.  $I_{CC} = f(t)$

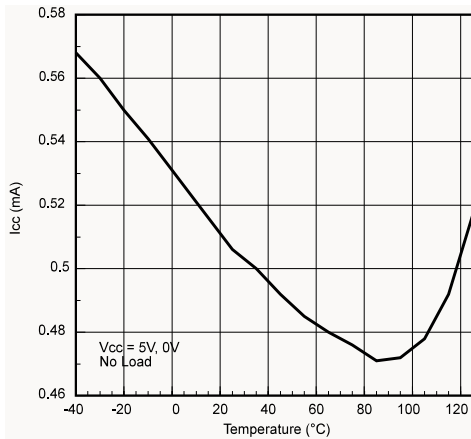


Figure 8. AC coupled inverting amplifier

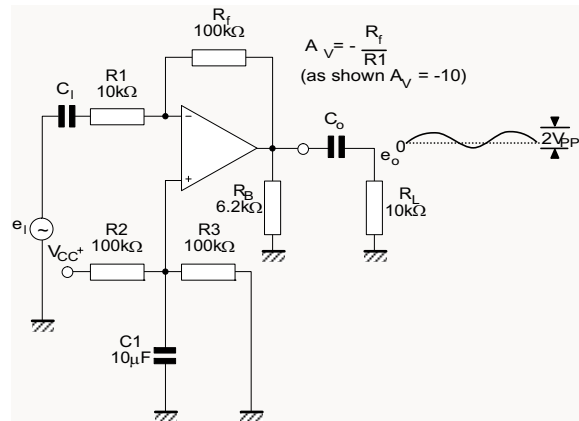


Figure 9. Non-inverting DC gain

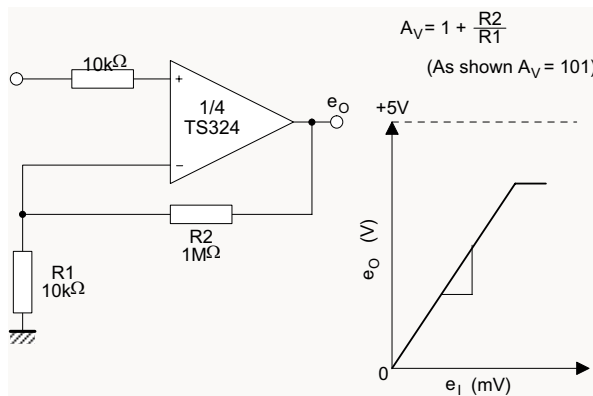


Figure 10. AC coupled non-inverting amplifier

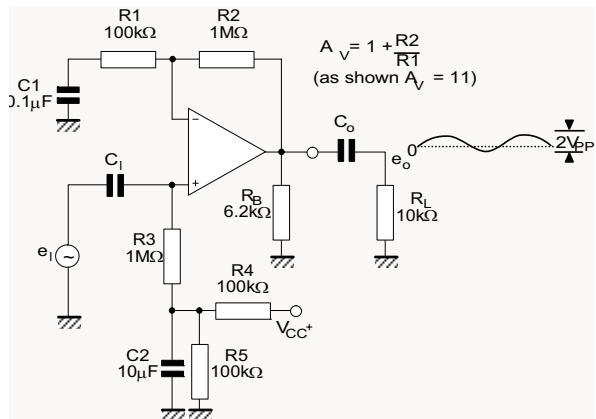
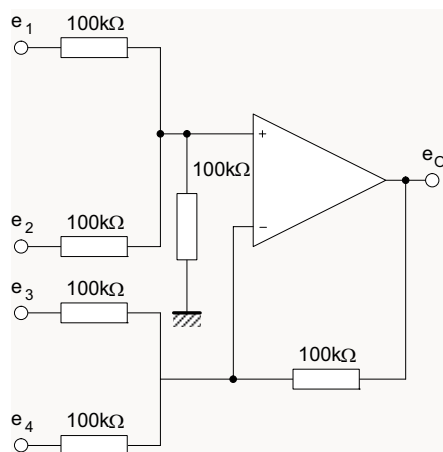


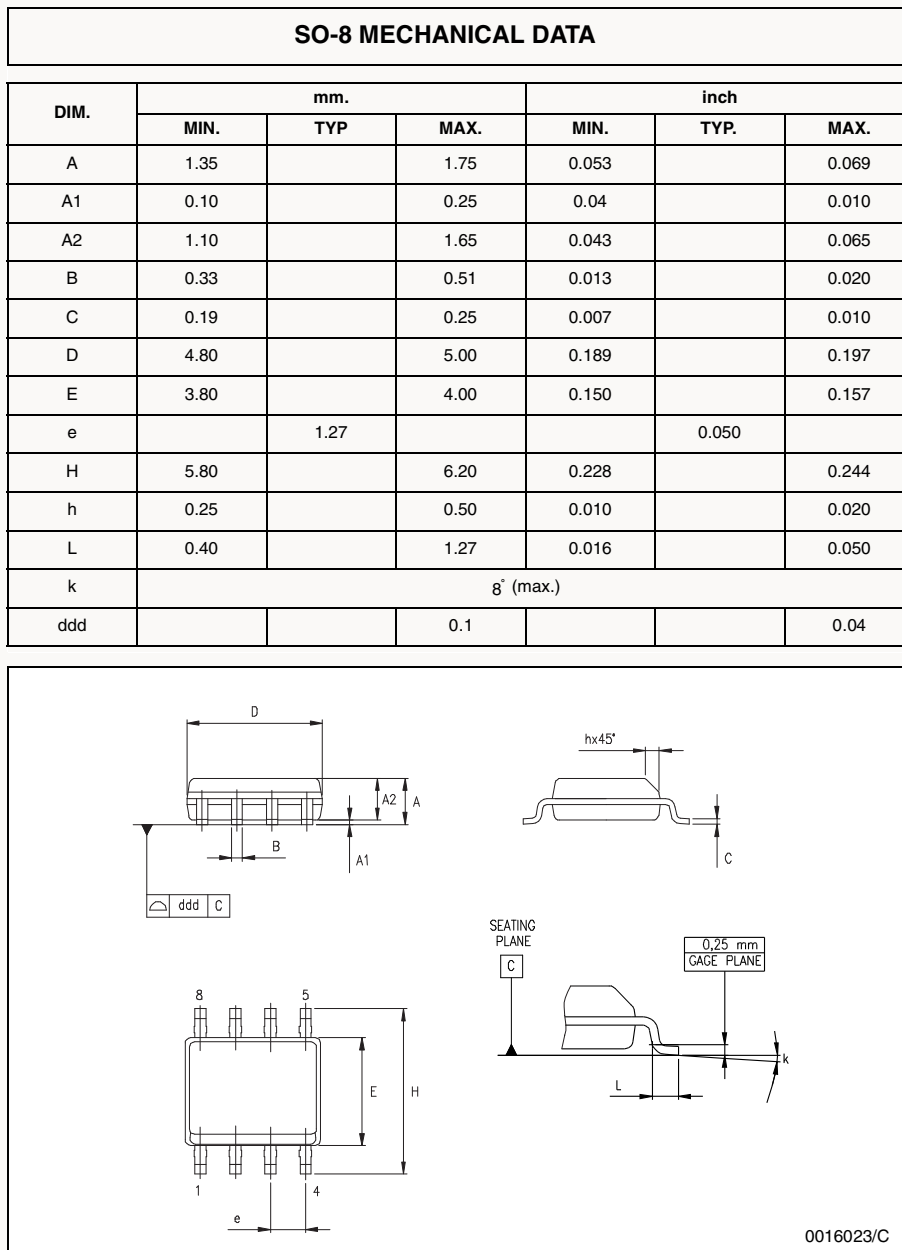
Figure 11. DC summing amplifier



## 5 Package Mechanical Data

In order to meet environmental requirements, ST offers these devices in ECOPACK<sup>®</sup> packages. These packages have a Lead-free second level interconnect. The category of second level interconnect is marked on the package and on the inner box label, in compliance with JEDEC Standard JESD97. The maximum ratings related to soldering conditions are also marked on the inner box label. ECOPACK is an ST trademark. ECOPACK specifications are available at: [www.st.com](http://www.st.com).

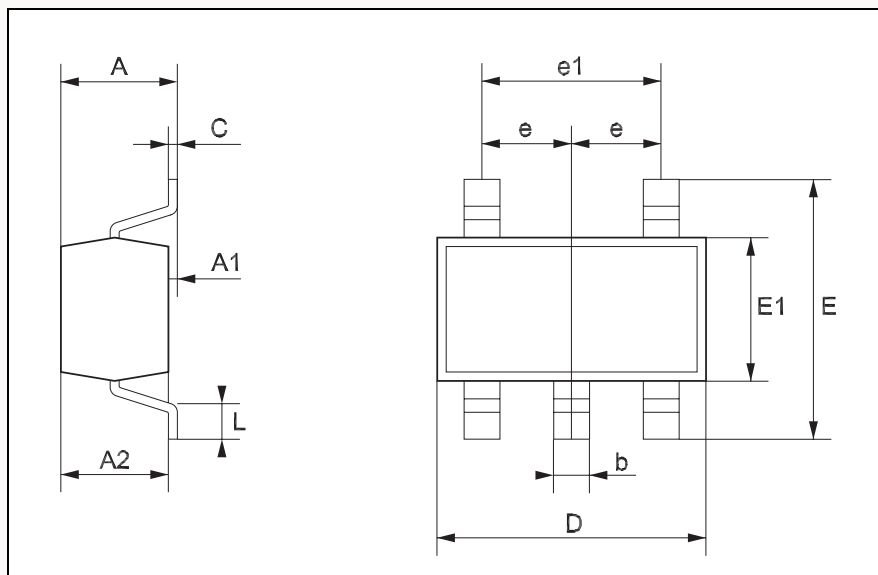
### 5.1 SO-8 Package



## 5.2 SOT23-5 Package

**SOT23-5L MECHANICAL DATA**

DIM.	mm.			mils		
	MIN.	TYP.	MAX.	MIN.	TYP.	MAX.
A	0.90		1.45	35.4		57.1
A1	0.00		0.15	0.0		5.9
A2	0.90		1.30	35.4		51.2
b	0.35		0.50	13.7		19.7
C	0.09		0.20	3.5		7.8
D	2.80		3.00	110.2		118.1
E	2.60		3.00	102.3		118.1
E1	1.50		1.75	59.0		68.8
e		0.95			37.4	
e1		1.9			74.8	
L	0.35		0.55	13.7		21.6



## 6 Revision history

**Table 4. Document revision history**

Date	Revision	Changes
June 2001	1	– Initial release.
July 2005	2	– PPAP references inserted in the datasheet see table order codes table <i>on page 1</i> . – ESD protection inserted in <i>Table 1 on page 3</i>
Sept. 2005	3	– Correction of errors in package names and markings in order codes table <i>on page 1</i> . – Minor grammatical and formatting corrections.
Dec. 2005	4	– Missing PPAP references inserted see order codes table <i>on page 1</i> . – Thermal Resistance Junction to Ambient and Thermal Resistance Junction to Case information added in <i>Table 1 on page 3</i> . – Macromodel updated see <i>Chapter 4: Macromodel</i> .

Information furnished is believed to be accurate and reliable. However, STMicroelectronics assumes no responsibility for the consequences of use of such information nor for any infringement of patents or other rights of third parties which may result from its use. No license is granted by implication or otherwise under any patent or patent rights of STMicroelectronics. Specifications mentioned in this publication are subject to change without notice. This publication supersedes and replaces all information previously supplied. STMicroelectronics products are not authorized for use as critical components in life support devices or systems without express written approval of STMicroelectronics.

The ST logo is a registered trademark of STMicroelectronics.  
All other names are the property of their respective owners

© 12 STMicroelectronics - All rights reserved

STMicroelectronics group of companies

Australia - Belgium - Brazil - Canada - China - Czech Republic - Finland - France - Germany - Hong Kong - India - Israel - Italy - Japan - Malaysia - Malta - Morocco - Singapore - Spain - Sweden - Switzerland - United Kingdom - United States of America

[www.st.com](http://www.st.com)