

STEERING DIODE ARRAY

APPLICATIONS

- ✓ Notebook & Desktop Computers
- ✓ Set Top Box Interface
- ✓ Video Port Protection
- ✓ Handheld Electronics
- ✓ Personal Digital Assistant (PDA)
- ✓ Sensor Interface

IEC COMPATIBILITY (EN61000-4)

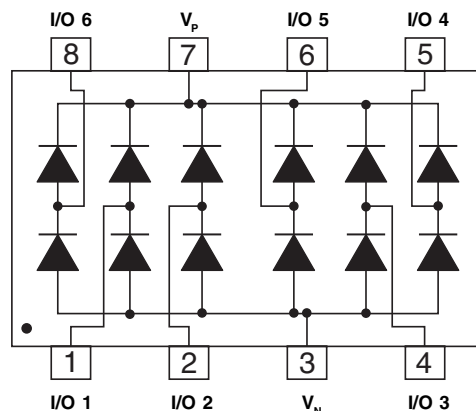
- ✓ 61000-4-2 (ESD): Air - 15kV, Contact - 8kV
- ✓ 61000-4-4 (EFT): 40A - 5/50ns

FEATURES

- ✓ ESD Protection > 40 kilovolts
- ✓ 350mW Continuous Power Dissipation
- ✓ Provides Six (6) Lines of Protection
- ✓ **LOW LEAKAGE CURRENT < 1.0μA**
- ✓ **LOW CAPACITANCE: 3pF Per Typical**
- ✓ RoHS Compliant in Lead-Free Versions

MECHANICAL CHARACTERISTICS

- ✓ Molded JEDEC SO-8
- ✓ Weight 70 milligrams (Approximate)
- ✓ Available in Tin-Lead or Lead-Free Pure-Tin Plating(Annealed)
- ✓ Solder Reflow Temperature:
 - Tin-Lead - Sn/Pb, 85/15: 240-245°C
 - Pure-Tin - Sn, 100: 260-270°C
- ✓ Flammability Rating UL 94V-0
- ✓ 12mm Tape and Reel Per EIA Standard 481
- ✓ Marking: Part Number, Logo, Date Code & Pin One Defined By Dot on Top of Package

**PIN CONFIGURATION**

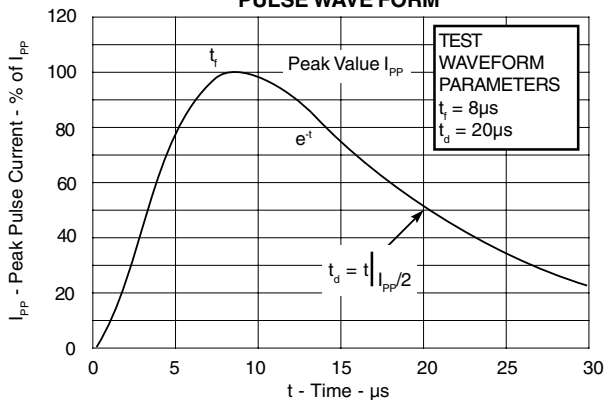
DEVICE CHARACTERISTICS

MAXIMUM RATINGS @ 25°C Unless Otherwise Specified			
PARAMETER	SYMBOL	VALUE	UNITS
Operating Temperature	T_J	-55°C to 150°C	°C
Storage Temperature	T_{STG}	-55°C to 150°C	°C
Continuous Power Dissipation	P_{PC}	350	mW

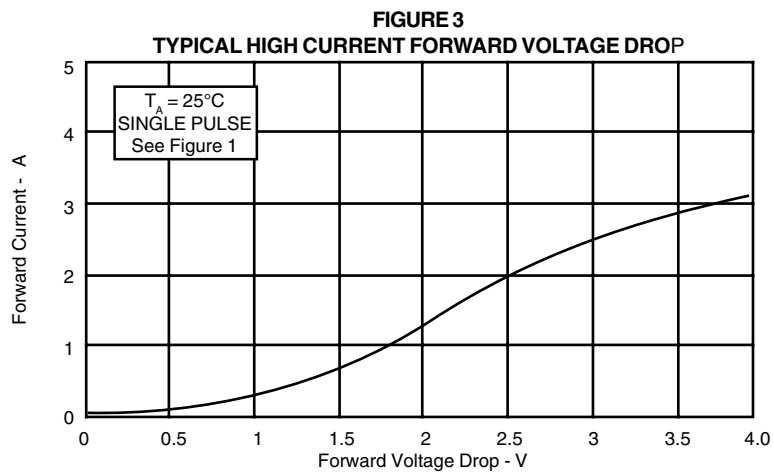
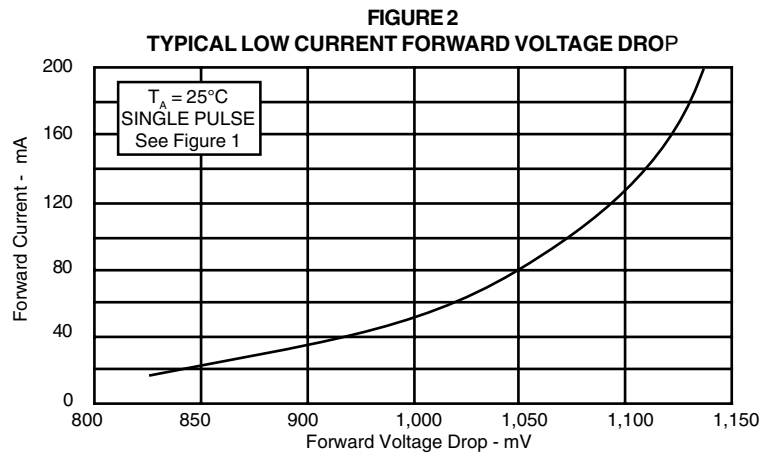
ELECTRICAL CHARACTERISTICS PER LINE @ 25°C Unless Otherwise Specified						
PART NUMBER	DEVICE MARKING	REPETITIVE PEAK REVERSE VOLTAGE (See Note 1) V_{RRM} VOLTS	MAXIMUM FORWARD VOLTAGE @ 20mA V_F VOLTS	MAXIMUM FORWARD PEAK PULSE CURRENT (See Figure 1) @ 8/20µs I_{FM} AMPS	MAXIMUM REVERSE LEAKAGE CURRENT V_{RRM} @ 5.5V I_R µA	TYPICAL CAPACITANCE @ 0V, 1MHz C_j pF
IO6LC	IO6LC	30	0.95	3.5	0.1	3

Note 1: V_{RRM} is $+V_{CC}$ to pin 7, $-V_{EE}$ to pin 3.

FIGURE 1
PULSE WAVE FORM



GRAPHS



PACKAGE OUTLINE & DIMENSIONS

