



SG240128A (240 DOTS X 128 DOTS)

液晶之友 电话: 020-33819057
[Http://www.lcdfriends.com](http://www.lcdfriends.com)

FEATURES

- ◆ BUILT-IN CONTROLLER (T6963C OR EQUIVALENT)
- ◆ +5 V POWER SUPPLY
- ◆ 1/128 DUTY CYCLE
- ◆ 8-BIT PARALLEL INTERFACE
- ◆ EDGE LIGHTING TYPE CCFL BACKLIGHT

Mechanical Data

ITEM	DIMENSIONS	UNIT
Module Size (W x H x T)	170.0 x 102.0 x 14.0 (15.5)	mm
Viewing Area (W x H)	132.0 x 76.0	mm
Active Area (W x H)	119.97 x 63.97	mm
Dot Size (W x H)	0.47 x 0.47	mm
Dot Pitch (W x H)	0.50 x 0.50	mm

INTERFACE PIN CONNECTIONS

NO.	SYMBOL	LEVEL	FUNCTION
1	FGND	-	Frame Ground
2	Vss	0V	Power Supply Ground
3	VDD	5V	Power Supply Voltage
4	Vo	-	Contrast Adjustment Voltage
5	/WR	L	Write Signal
6	/RD	L	Read Signal
7	/CE	L	Enable Signal
8	C/D	H/L	H : Data , L : Instruction Code
9	NC	-	No Connection
10	/RST	L	Reset Signal
11~18	DB0~DB7	H/L	Data Bus Line
19	FS	H/L	H : 6*8 , L : 8*8 Select Of Columns
20	RV	-	Reverse Data In

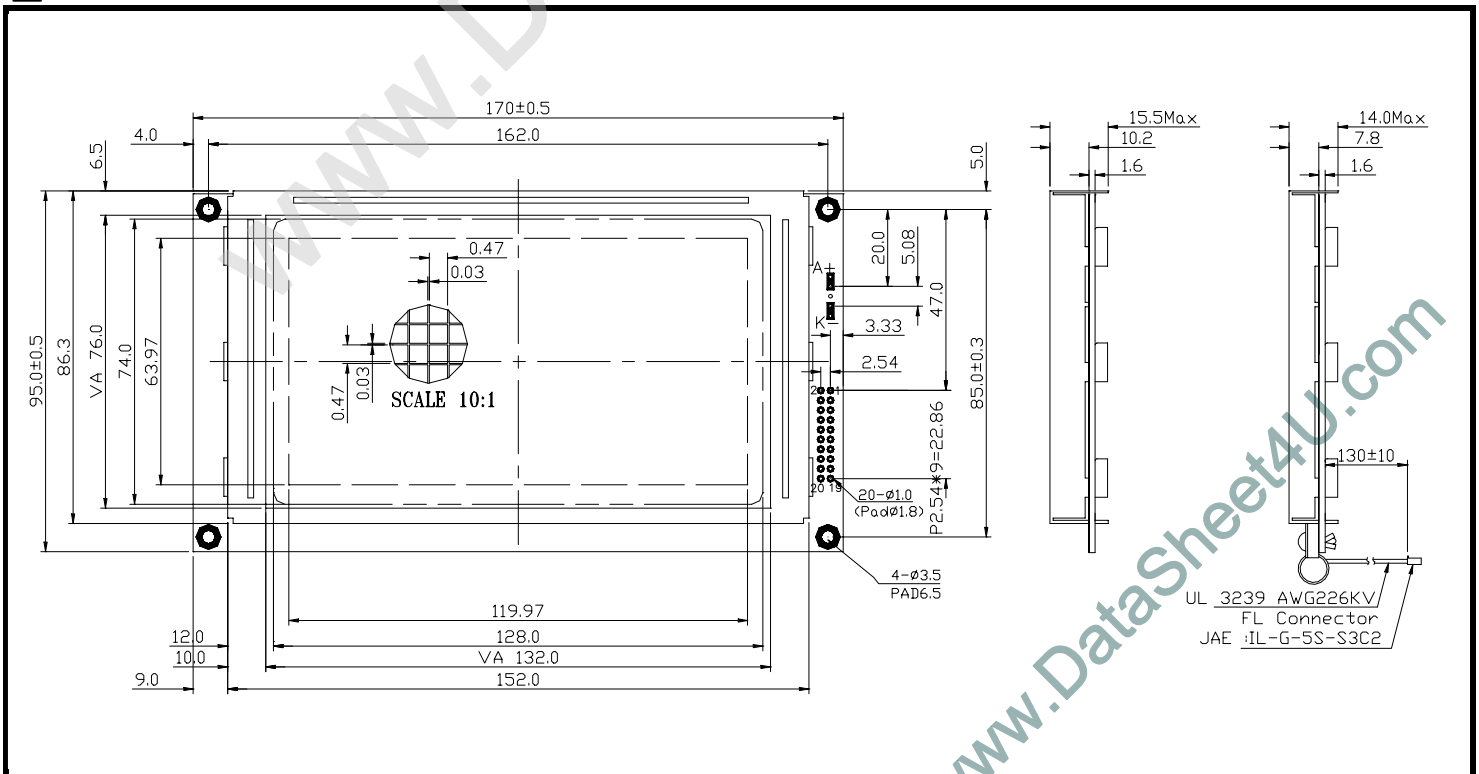
ABSOLUTE MAXIMUM RATINGS

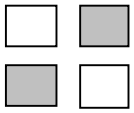
ITEM	SYMBOL	MIN.	TYP.	MAX.	UNIT
Supply Voltage For Logic	V _{DD} -V _{SS}	0	-	7	V
Supply Voltage For LCD Drive	V _{DD} -V _o	0	-	28	V
Input Voltage	V _I	V _{SS}	-	V _{DD}	V

ELECTRICAL CHARACTERISTICS

ITEM	SYMBOL	CONDITION	MIN.	TYP.	MAX.	UNIT	
Supply Voltage For Logic	V _{DD} -V _{SS}	-	4.5	5	5.5	V	
LCD Supply Voltage	V _{DD} -V _o	V _{DD} =5V Ta=25°C	16.9	18	19.2	V	
Supply Current	I _{DD}	V _{DD} =5V	-	15	24	mA	
Input Voltage	"HIGH" Level	V _{IH}	-	2.2	-	V _{DD}	V
	"LOW" Level	V _{IL}	-	-	-	0.6	V
Output Voltage	"HIGH" Level	V _{OH}	-	2.4	-	V	V
	"LOW" Level	V _{OL}	-	-	-	0.4	V

EXTERNAL DIMENSIONS



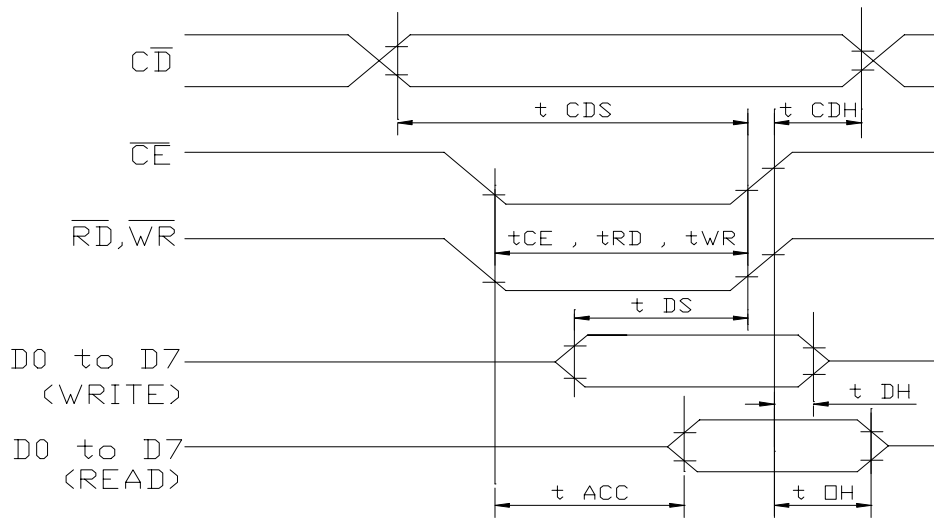


SG240128A (240 DOTS X 128 DOTS)

TIMING CHARACTERISTICS

ITEM	SYMBOL	MIN.	MAX.	UNIT.
C/D Setup Time	t_{CDS}	100	-	ns
C/D Hold Time	t_{CDH}	10	-	ns
CE, RD, WR Pulse Width	t_{CE}, t_{RD}, t_{WR}	80	-	ns
Data Setup Time	t_{DS}	80	-	ns
Data Hold Time	t_{DH}	40	-	ns
Access Time	t_{ACC}	-	150	ns
Output Hold Time	t_{OH}	10	50	ns

Bus Timing



BLOCK DIAGRAM

