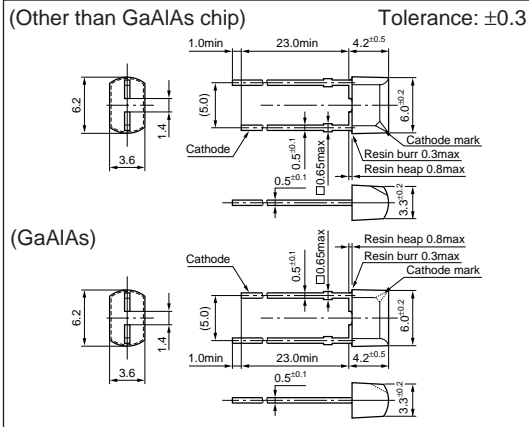


5-mm Pitch Lead Rectangular LED (Direct Mount)

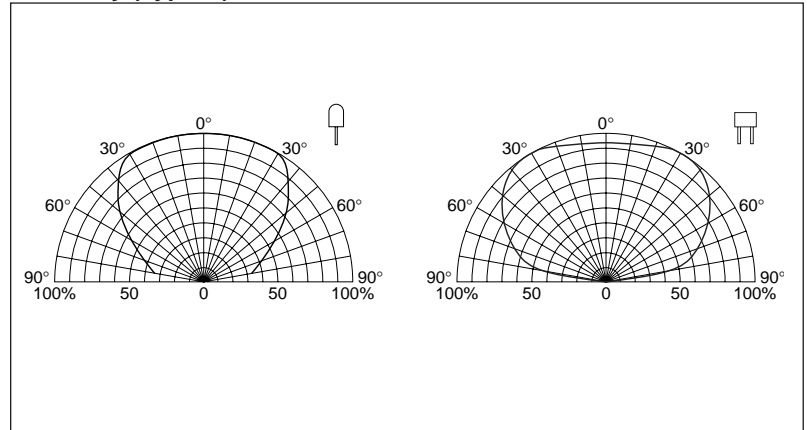
SEL5020 Series

External Dimensions

(Unit: mm)



Directivity (Typical)



Absolute maximum ratings (Ta=25°C)

Symbol	Unit	Rating		Condition
		GaP/GaAsP/GaAlAs	InGaN	
I_F	mA	30		
ΔI_F	mA/°C	-0.45		Above 25°C
I_{FP}	mA	100		$f=1\text{kHz}, t_w \leq 100\mu\text{s}$
V_R	V	3	5	
Top	°C	-30 to +85	-25 to +80	
Tstg	°C	-30 to +100		

Electrical Optical characteristics (Ta=25°C)

Emitting color	Part Number	Lens color	Forward voltage		Reverse current		Intensity		Peak wavelength		Spectrum half width		Chip material	
			V_F (V)	Condition I_F (mA)	I_R (μA) max	Condition V_R (V)	I_v (mcd) typ	Condition I_F (mA)	λ_P (nm) typ	Condition I_F (mA)	$\Delta\lambda$ (nm) typ	Condition I_F (mA)		
														typ
High-intensity red	SEL5620C	Clear	1.7	2.2	10	50	3	100	20	660	10	30	10	GaAlAs
Red	SEL5220S	Transparent red	1.9	2.5	10	50	3	20	20	630	10	35	10	GaAsP
Amber	SEL5820A	Transparent orange	1.9	2.5	10	50	3	12	20	610	10	35	10	
Orange	SEL5920A	Transparent orange	1.9	2.5	10	50	3	12	20	587	10	33	10	GaP
Green	SEL5420E	Transparent green	2.0	2.5	10	50	3	20	20	560	10	20	10	
Pure green	SEL5520C	Clear	2.0	2.5	10	50	3	6.0	20	555	10	20	10	InGaN
Ultra-high-intensity blue	SELU5E20C	Clear	3.3	4.0	10	10	5	60	10	470	10	35	10	