

Toroidal Inductors Medium Current CTP4411

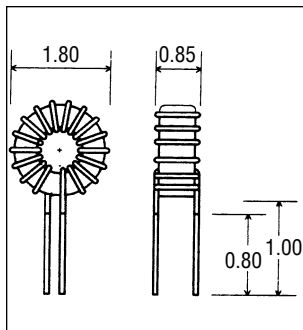
CTP4411 is a medium current inductor with the following data and features:

- **Core type:** 1.57" o.d., Iron Powder, perm 75.
 - **Power rating:** 4.50 watts for temp. rise 50°C.
 - **Typical applications:** Input and output filters in Switch Mode Power Supplies.
- Three mounting styles are offered:**
- 1 Flying leads (1.00"), for vertical or horizontal mounting.
 - 2 4-pin header, for vertical mounting.
 - 3 Threaded center hole, flying leads (2.00").

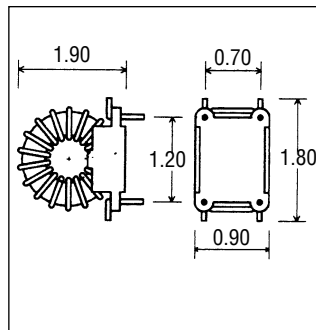


MECHANICAL

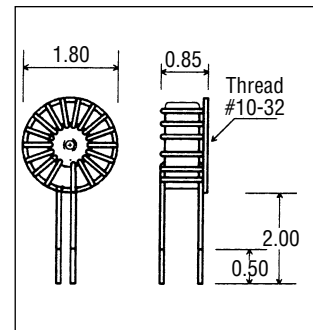
Style 1



Style 2



Style 3



ELECTRICAL SPECIFICATION

Ordering Information: Substitute the style number for the asterisk (*). Example: CTP4411, Style 1, 56uH. Order: CTP4411 - 116

Part No. CTP4411 -	Ind. (uH)	DCR Ohms	Rated Current Amp. RMS	I (amp.) @ Lsat. 10%	I (amp.) @ Lsat. 25%	I (amp.) @ Lsat. 50%	Part No. CTP4411 -	Ind. (uH)	DCR Ohms	Rated Current Amp. RMS	I (amp.) @ Lsat. 10%	I (amp.) @ Lsat. 25%	I (amp.) @ Lsat. 50%
* 01	3.3	0.003	39.7	17.9	35.8	71.7	* 17	68	0.025	13.4	3.9	7.9	15.8
* 02	3.9	0.004	34.0	16.5	33.0	65.9	* 18	82	0.027	12.8	3.6	7.2	14.4
* 03	4.7	0.004	32.5	15.0	30.0	60.0	* 19	100	0.030	12.2	3.3	6.5	13.0
* 04	5.6	0.005	31.1	13.8	27.5	55.0	* 20	120	0.033	11.6	3.0	5.9	11.9
* 05	6.8	0.006	26.5	12.5	25.0	49.9	* 21	150	0.037	11.0	2.7	5.3	10.6
* 06	8.2	0.007	25.3	11.4	22.7	45.9	* 22	180	0.041	10.5	2.4	4.9	9.7
* 07	10	0.008	24.1	10.3	20.6	41.2	* 23	220	0.045	10.0	2.2	4.4	8.8
* 08	12	0.008	23.1	9.4	18.8	37.6	* 24	270	0.050	9.5	2.0	4.0	7.9
* 09	15	0.012	19.4	8.4	16.8	33.6	* 25	330	0.055	9.1	1.8	3.6	7.2
* 10	18	0.013	18.6	7.7	15.3	30.7	* 26	390	0.175	7.7	1.6	3.3	6.6
* 11	22	0.014	17.7	6.9	13.9	27.8	* 27	470	0.104	6.6	1.5	3.0	6.0
* 12	27	0.016	16.8	6.3	12.5	25.1	* 28	560	0.113	6.3	1.4	2.8	5.5
* 13	33	0.018	16.0	5.7	11.3	22.7							
* 14	39	0.019	15.4	5.2	10.4	20.8							
* 15	47	0.021	14.7	4.7	9.5	19.0							
* 16	56	0.023	14.1	4.3	8.7	17.4							

CTP4411