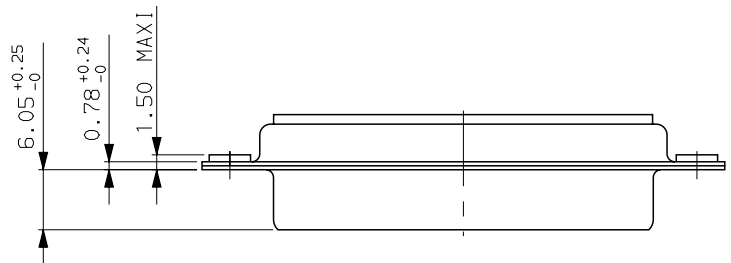
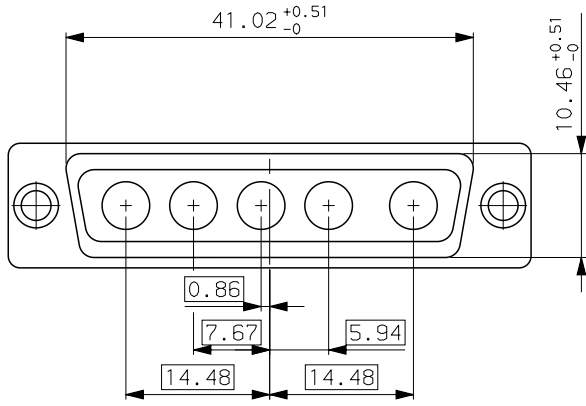
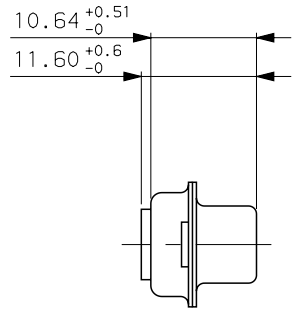
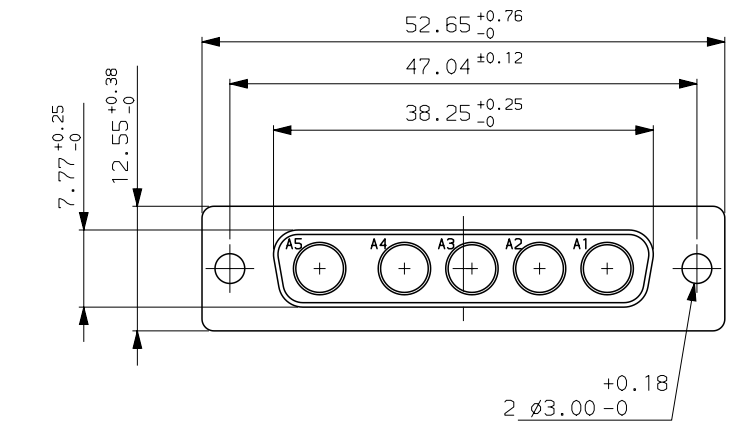
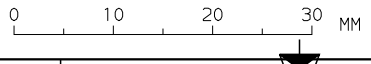


GENERAL CHARACTERISTICS : SEE DRAWING C01-8639-0001



Core range
DB5W5SA00
PART NUMBER



c	24/10/03	update	--
ISS	DATE	Latest modification by : BART.5	MOD N°
Designed by: LENOIR date 23/11/94			Type of drawing: CLIENT
TITLE : FEMALE CONNECTOR 5W5			SHEET 1/1
without accessories			
SCALE: 2.0			
	FRAMATOME CONNECTORS FRANCE Rue Louis Breguet - BP 05 72024 LE MANS Cedex Tel. 33 (16) 43.84.08.43		This document is the property of FRAMATOME CONNECTORS FRANCE It must not be reproduced or communicated without permission in writing from the owners
	FORMAT A3	SOURIAU DRG N° C01-8639-0563-1	