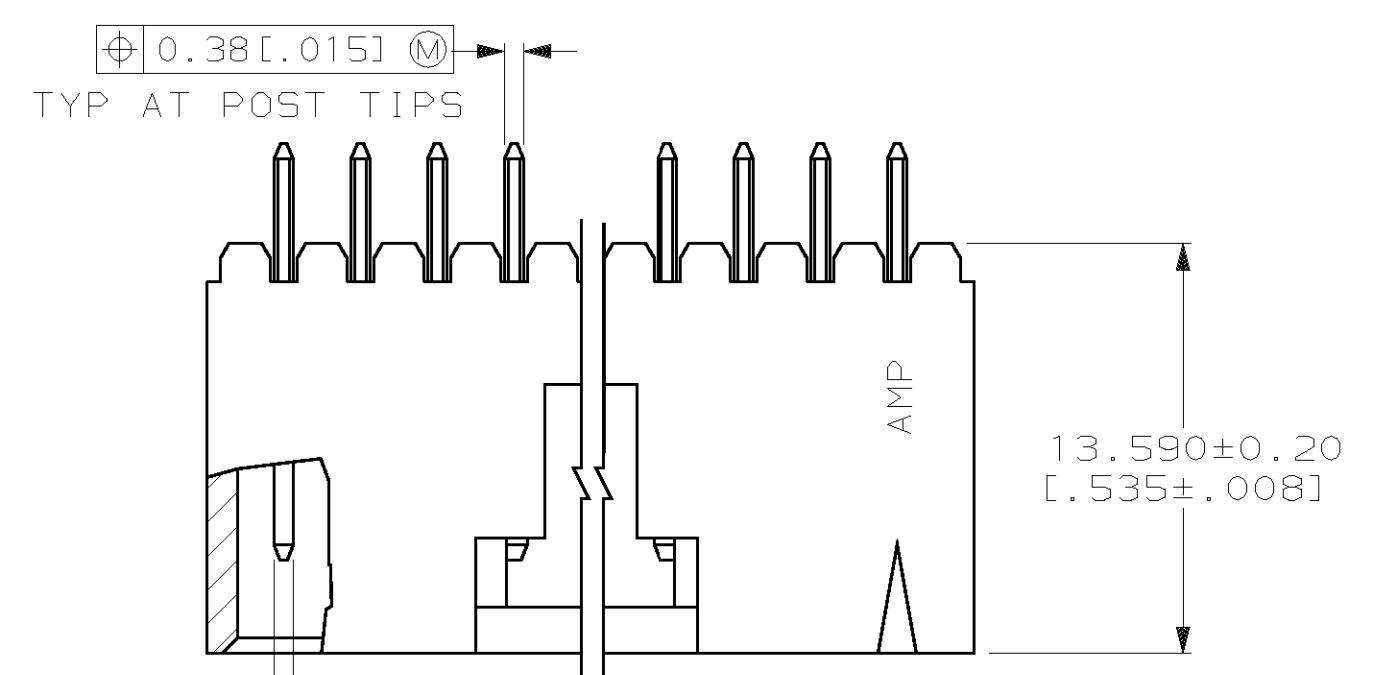
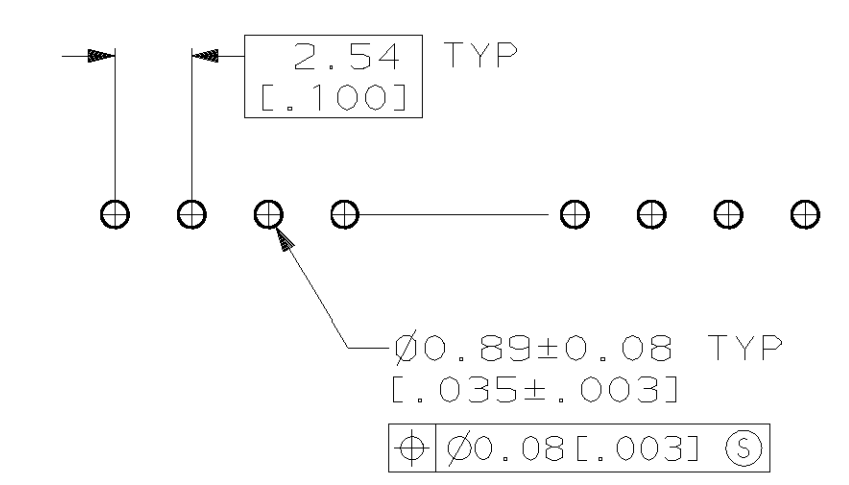
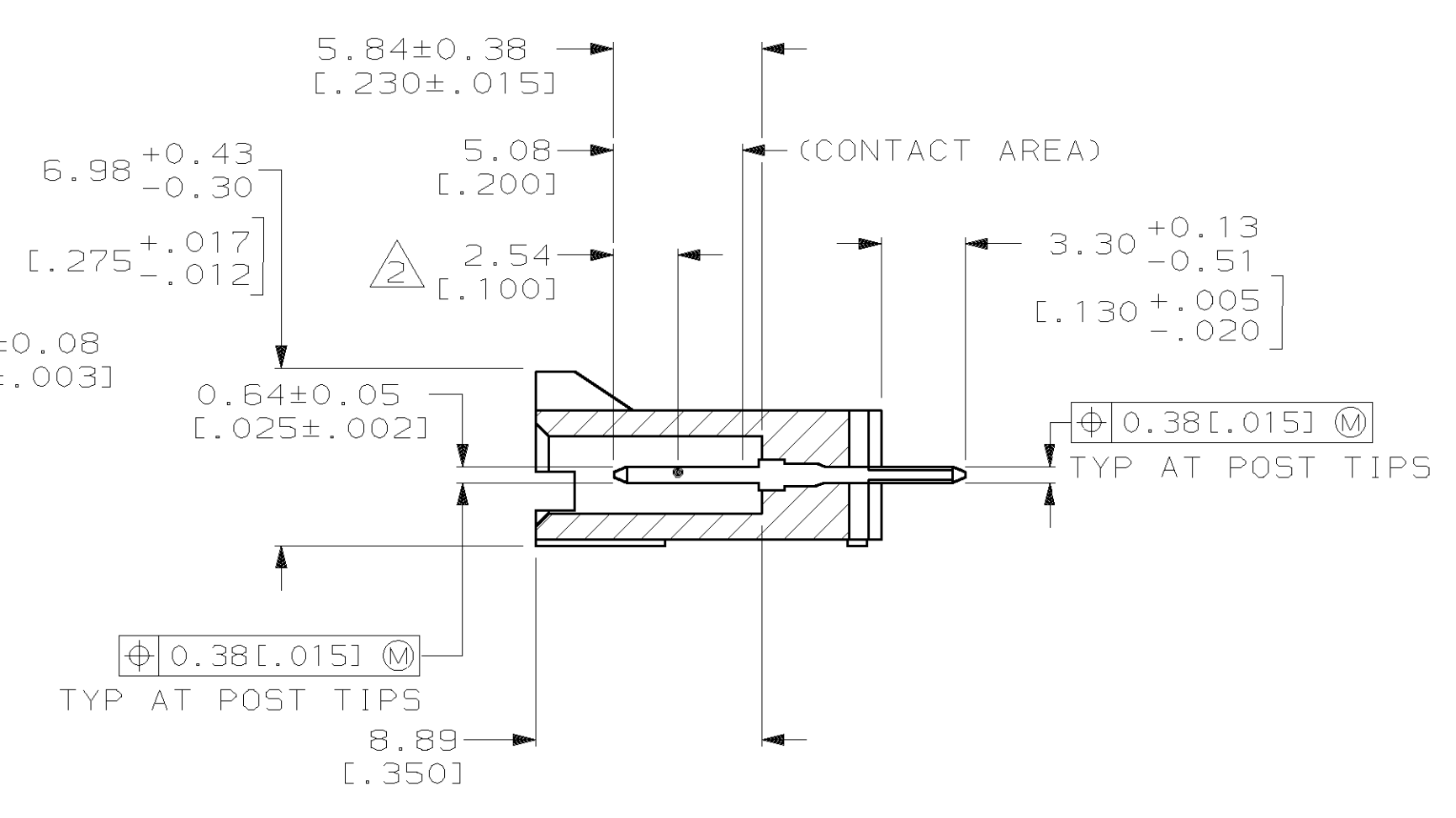
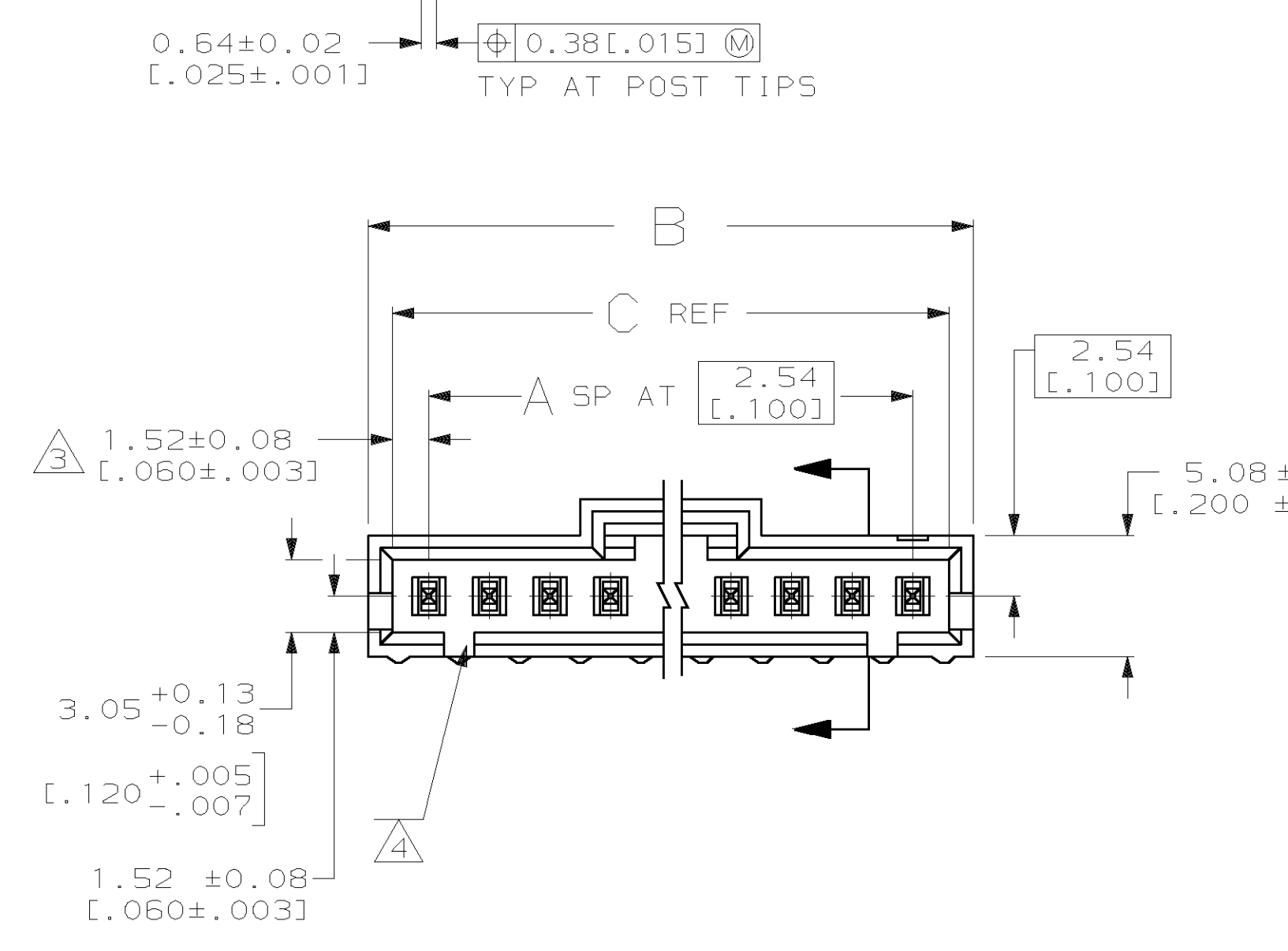


LOC	DIST	P	F	ZONE	LTR	DESCRIPTION	DATE	APPD
AD	00					REV PER AD-5122	-	-
						REV PER 0010-0831-93	9-10-93	JG
						REV PER 0010-0782-93	2-16-94	JG
						REV PER 0010-1884-93	2-16-94	JG
						REV PER 0010-0104-95	3-3-95	JG
						REV PER 0010-0012-96	1-3-96	JG
						REV PER 0010-1114-95	1-25-96	JG
						REV PER 0010-0570-96	4-28-96	JG
						REV PER 0010-0881-96	6-20-96	JG
						REV PER 0430-0025-96	1-23-97	JG
						REV PER 0310-0040-97	1-28-97	JG
						REV PER 0310-0192-97	5-2-97	JG
						REV PER 0310-0355-97	02-FEB-98	JG
						REV PER EC 063C-0441-00	05FEB01	KW



- 1 .00076 [0.000030] GOLD IN THE CONTACT AREA, .00254 [0.000100] MATTE TIN-LEAD ON REMAINDER OF CONTACT, ALL OVER .00127 [0.000050] NICKEL.
- 2 POINT OF MEASUREMENT FOR PLATING THICKNESS.
- 3 THE NOTED DIMENSIONS APPLY AT THE INTERSECTION OF THE POST AND THE HOUSING.
- 4 ON ASSEMBLIES WITH FOUR OR MORE POSITIONS, TWO POLARIZATION SLOTS. ON ASSEMBLIES WITH TWO OR THREE POSITIONS, ONE POLARIZATION SLOT.



RECOMMENDED HOLE LAYOUT

64.01	66.04	24	25	
[2.520]	[2.600]			2-103735-4
61.47	63.50	23	24	
[2.420]	[2.500]			2-103735-3
58.93	60.96	22	23	
[2.320]	[2.400]			2-103735-2
56.39	58.42	21	22	
[2.220]	[2.300]			2-103735-1
53.85	55.88	20	21	
[2.120]	[2.200]			2-103735-0
51.31	53.34	19	20	
[2.020]	[2.100]			1-103735-9
48.77	50.80	18	19	
[1.920]	[2.000]			1-103735-8
46.23	48.26	17	18	
[1.820]	[1.900]			1-103735-7
43.69	45.72	16	17	
[1.720]	[1.800]			1-103735-6
41.15	43.18	15	16	
[1.620]	[1.700]			1-103735-5
38.61	40.64	14	15	
[1.520]	[1.600]			1-103735-4
36.07	38.10	13	14	
[1.420]	[1.500]			1-103735-3
33.53	35.56	12	13	
[1.320]	[1.400]			1-103735-2
30.99	33.02	11	12	
[1.220]	[1.300]			1-103735-1
28.45	30.48	10	11	
[1.120]	[1.200]			1-103735-0
25.91	27.94	9	10	
[1.020]	[1.100]			103735-9
23.37	25.40	8	9	
[0.920]	[1.000]			103735-8
20.83	22.86	7	8	
[0.820]	[0.900]			103735-7
18.29	20.32	6	7	
[0.720]	[0.800]			103735-6
15.75	17.78	5	6	
[0.620]	[0.700]			103735-5
13.21	15.24	4	5	
[0.520]	[0.600]			103735-4
10.67	12.70	3	4	
[0.420]	[0.500]			103735-3
8.13	10.16	2	3	
[0.320]	[0.400]			103735-2
5.59	7.62	1	2	
[0.220]	[0.300]			103735-1
C	B	A	NO. OF POSN	PART NO.

DO NOT SCALE PRINT. UNLESS SPECIFIED DIMENSIONS IN mm [INCHES]		AMP Incorporated Harrisburg, PA 17105-3508	
TOLERANCES ON:	DR 3-5-91 S. SHUEY	NAME	
2 PLC DEC ± 0.13 [0.005]	CHK 3-27-91 L. CASTAGNA	HDR ASSY, VERT, SINGLE ROW	
3 PLC DEC ± -	APPD 3-27-91 L. CASTAGNA	2.54 [0.100] φ, 0.64 [0.025] SQ POST,	
ANGLES ± -	APPD 3-27-91 R. FELIX	WITH PLZN & LATCHING, AMPMODU MTE	
MATERIAL HOUSING: FLAME RETARDANT THERMOPLASTIC COLOR - BLACK	PRODUCT SPEC 108-25034	SIZE D	CAGE CODE 00779
CONTACTS: BRASS	APPLICATION SPEC 114-25026	DRAWING NO	103735
FINISH	WEIGHT -	SCALE	4:1
		SHEET	1 OF 1

