

INTEGRATED CONNECTOR MODULES

10/100Base-TX belStack™

BM01815

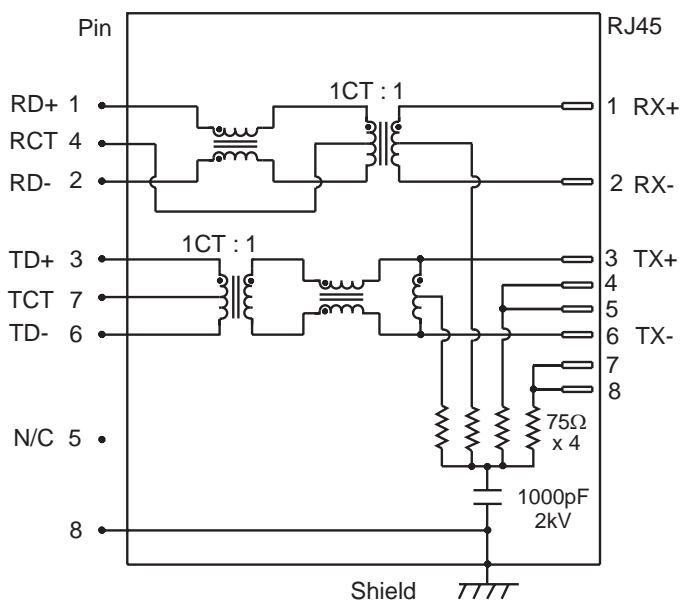
- 16-port shielded RJ-45 connector with integrated 10/100 magnetics
- Compatible with a variety of 10/100 transceiver ICs
- Operating temperature 0° to +70° C
- Storage temperature -40° to +85° C
- Complies with IEEE standards and all 10/100 Ethernet specifications including 350µH with 8mA DC bias
- Highly integrated design conserves valuable board space
- Minimum interwinding breakdown voltage of 1500 Vrms
- Adaptable, modular design provides higher reliability

ELECTRICAL SPECIFICATIONS AT 25° C

Part Number	Insertion Loss dB max	Return Loss dB min			Common to Differential Mode Rejection dB min	Common to Common Mode Rejection dB min	Crosstalk dB min
	1MHz to 100MHz	1MHz to 30MHz	30MHz to 60MHz	60MHz to 80MHz	100kHz to 100MHz		100kHz to 100MHz
0811-2X8T-18	-1.1	-18	18 - 20 log (f/30MHz)	-12	-40	-30	-35
0811-2X8T-28	-1.1	-18	18 - 20 log (f/30MHz)	-12	-40	-30	-35
0811-2X8T-30	-1.1	-18	18 - 20 log (f/30MHz)	-12	-40	-30	-35

SCHEMATIC

0811-2X8T-18



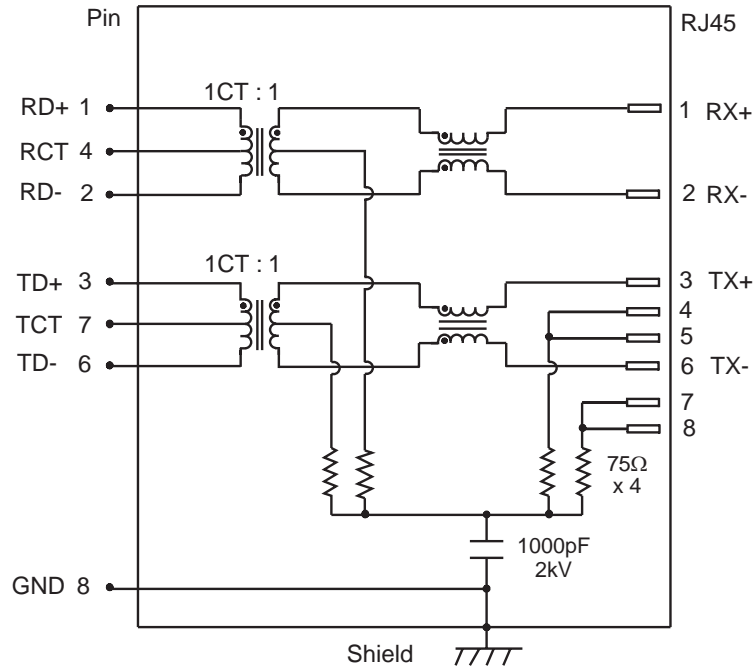
Available Options

- Various transformer turns ratios
- Various high voltage capacitor values

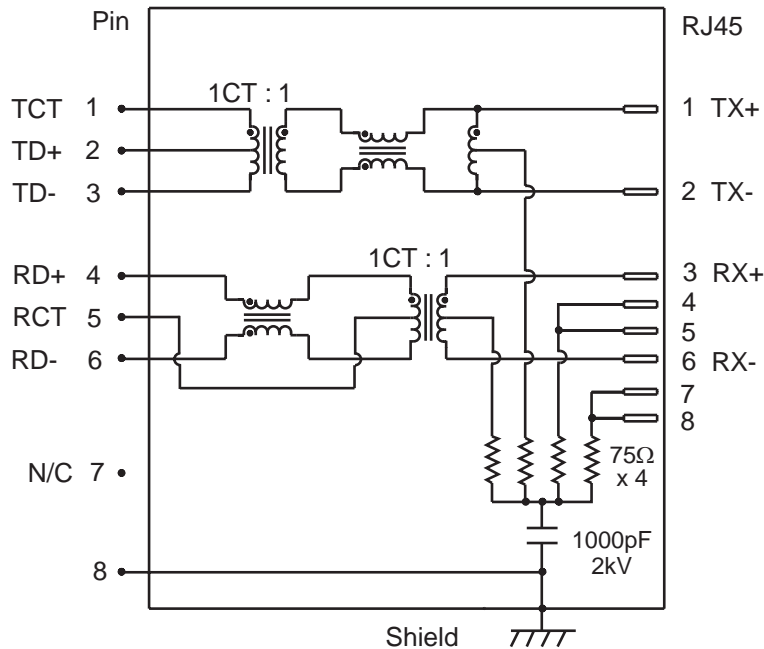
BM01815

SCHEMATIC

0811-2X8T-28



0811-2X8T-30



INTEGRATED CONNECTOR MODULES

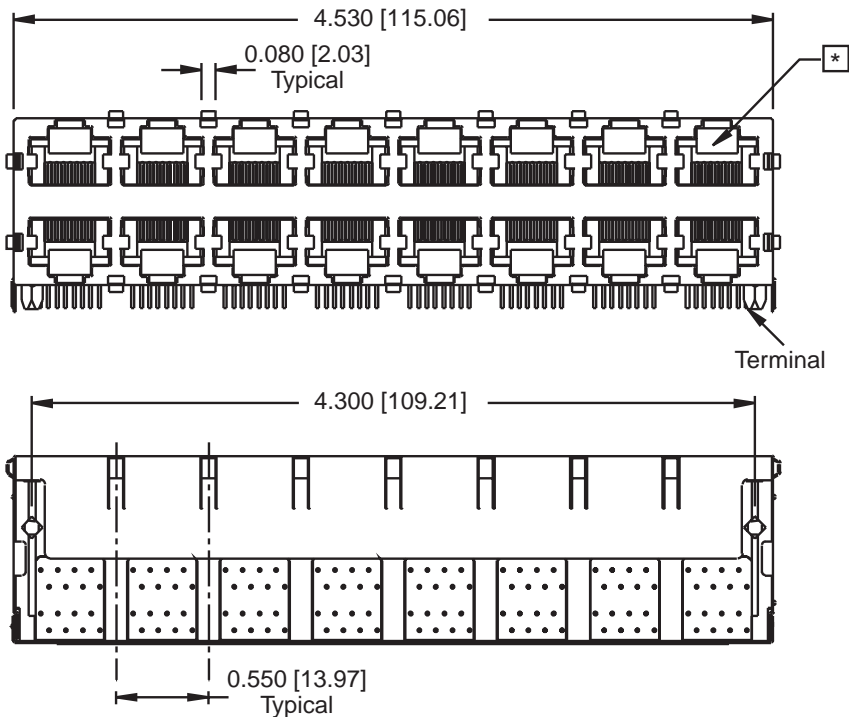
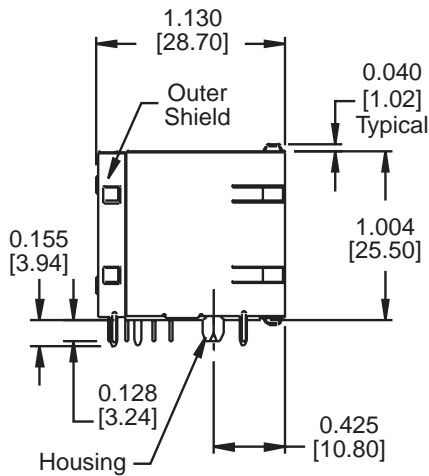
10/100Base-TX belStack™



BM01815

MECHANICAL

0811-2X8T-18
0811-2X8T-28
0811-2X8T-30



Dimensions are in inches [millimeters].
Standard dimension tolerance is ± 0.010 [0.25] unless otherwise noted.

Notes

Plastic Housing	Thermoplastic, flammability rating UL 94V-0
Contacts	50 micro-inch hard gold plating
Pins	Tin-coated copper wire, DIA 0.018" [0.46]
Solderability	Per MIL Std. 202, Method 208
Metal Shield	Nickel plated copper alloy

*Jack cavity conforms to FCC rules and regulations, part 68, subpart F.

