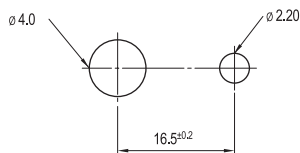
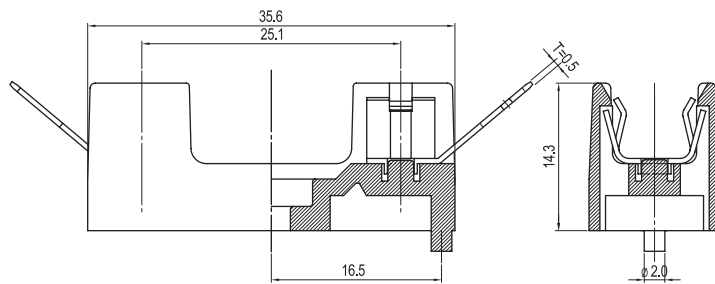
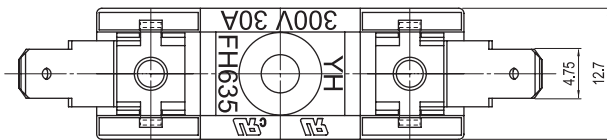
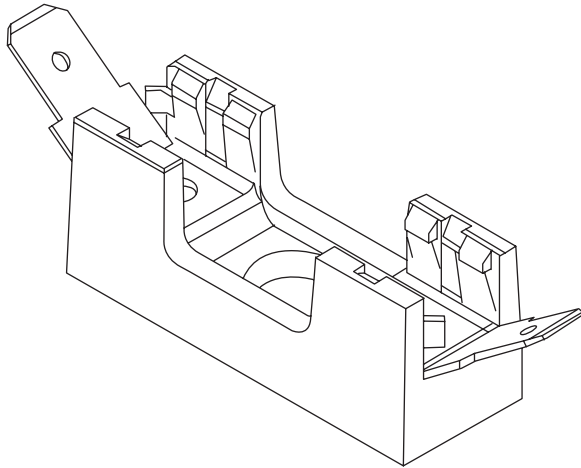


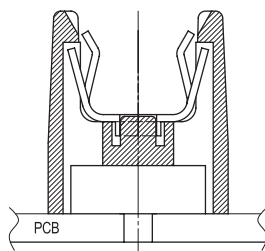
OTHER

Modular Fuse Clip Connector
Fuse Holder

FH635



PCB LAYOUT



PCB ASS'Y

Material

| I/NO | DESCRIPTION | TITLE | MATERIAL |
|------|---------------|-------|--------------------|
| 1 | HOUSING | FH635 | PA66, UL94 V Grade |
| 2 | FUSE TERMINAL | | Brass & Tin Plated |

Specification

| ITEM | SPEC |
|------------------------|-------------|
| Voltage Rating | AC/DC 350V |
| Current Rating | AC/DC 3.5A |
| Operating Temperature | -25°C~+85°C |
| Contact Resistance | 30mΩ MAX |
| Withstanding Voltage | - |
| Insulation Resistance | - |
| Applicable Wire | - |
| Applicable P.C.B | 1.2~1.6mm |
| Applicable FPC/FFC | - |
| Solder Height | - |
| Crimp Tensile Strength | - |
| UL FILE NO | E188390 |