

## SMT half pitch DIP switch – Auto placeable

### Features

#### Optimized Mechanical Features

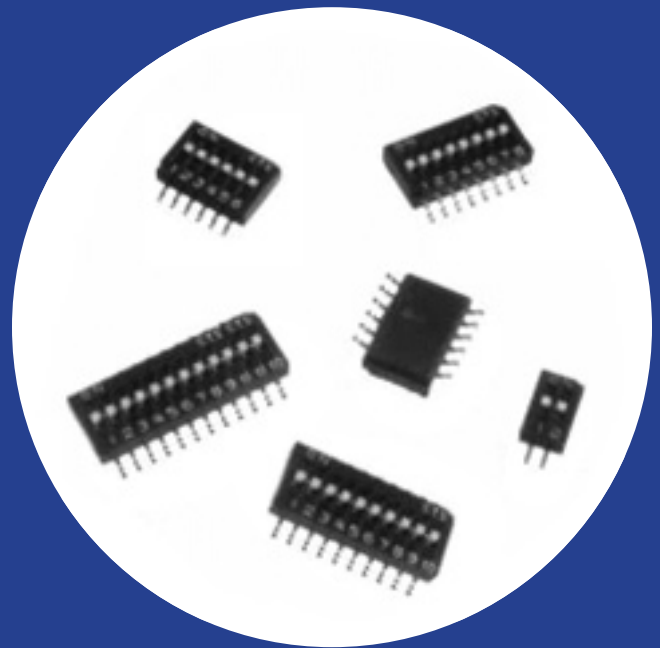
- Removable tape seal to withstand IR vapor phase or wave soldering temperatures, board washing
- Gull-wing and “J” bend terminal configurations
- Low profile actuators prevent accidental actuation
- SPST configuration, 2, 4, 6, 8, 10, and 12 positions
- Coplanarity: 0.1 mm/.004" maximum

#### Optimized Contact System

- Redundant, wiping contact
- Contactor does not deflect during actuation
- 0.6 mm/0.024" actuator travel

#### Materials

- Gold plated contacts, gold flash plated terminals
- Copper alloy contactor
- High temperature materials (UL 94V-0)



## Electrical and Mechanical Specifications

#### Switch Function

Single pole single throw

#### Switch Contact Resistance

100 milliohms maximum initial  
100 milliohms maximum after 1,000 cycles switch

#### Insulation Resistance

100 megohms minimum across open switch  
100 megohms minimum between adjacent closed switches

#### Dielectric Strength

300 VDC maximum for 1 minute

#### Nonswitching Rating

100 mA or 50 VDC

#### Switch Capacitance

10 pF maximum between adjacent closed switches

#### Operating Temperature

-40°C to +85°C

#### Actuation Life

1,000 cycles switching 25 mA @ 24 VDC

#### Coplanarity

Coplanarity of 0.1 mm / .004" maximum

#### Allowable Solder Time

IR and vapor phase—up to 30 seconds with 260°C  
Wave—up to 6 seconds at 260°C

#### Vibration

Per MIL-STD-202F, method 204D, condition B  
(.06" or 15 G's between 10 HZ to 2 KHz) with no contact inconsistencies greater than 1 microsecond.

#### Shock

Per MIL-STD-202F, method 213B, condition A  
(50 G's) with no contact inconsistencies greater than 1 microsecond.

#### Sealing

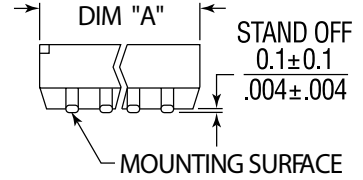
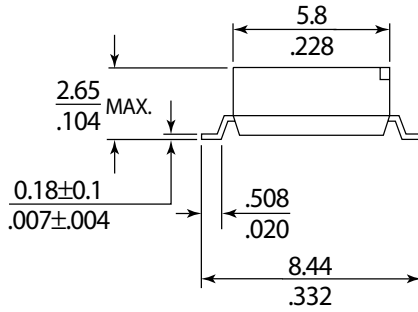
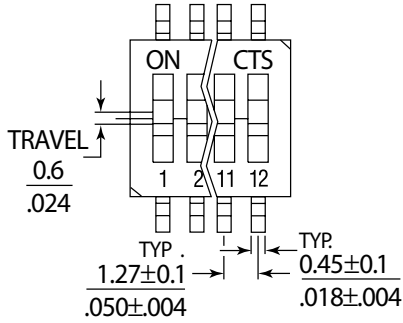
Bottom seal standard  
Top tape seal optional

#### Marking

Special marking available—consult CTS

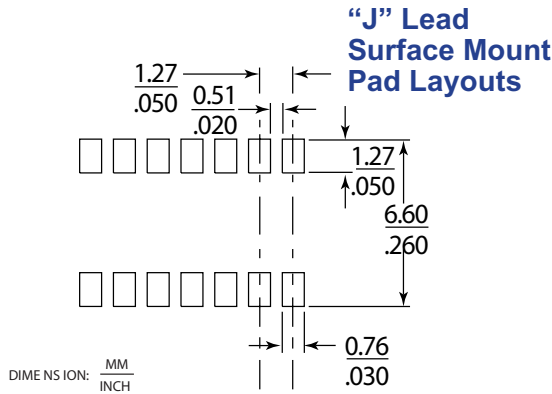
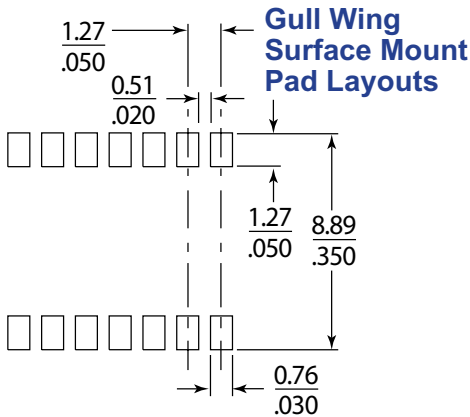
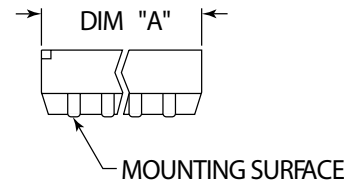
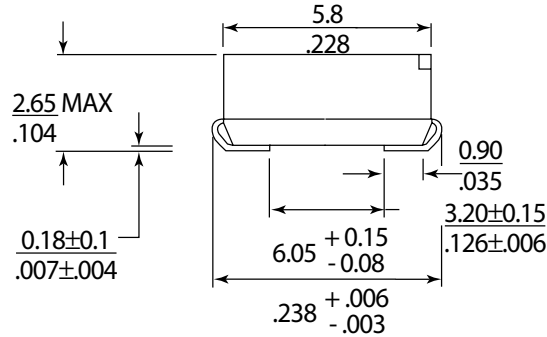
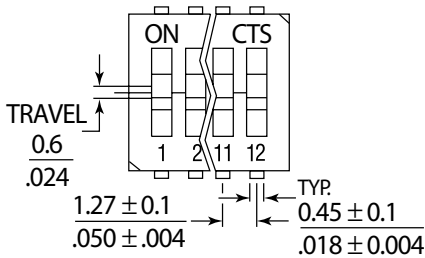
# CTS SERIES 218

## 218 – Gull Wing Leads

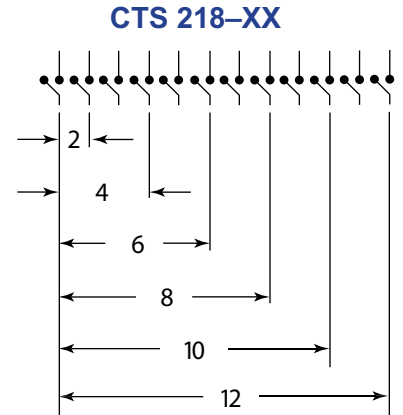


DIMENSION: MM / INCH

## 218 – “J” Leads



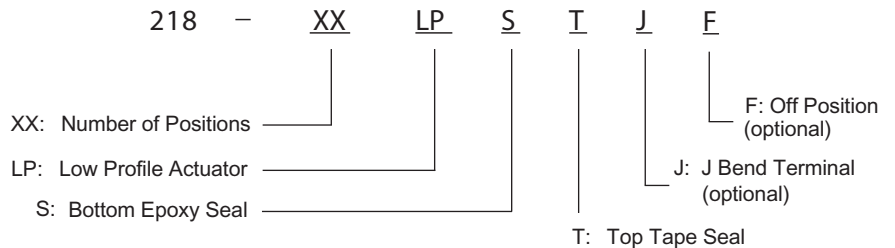
DIMENSION: MM / INCH



## Order Information

"A" OVERALL DIMENSION	NO. OF S. W. SECTIONS
3.71 / .146	2
6.25 / .246	4
8.79 / .346	6
11.33 / .446	8
13.87 / .546	10
16.41 / .646	12

## Part Number Code For Ordering



For J bend terminal or switch shipped in off position, add the letter "J" or "F" to part number (ie, 218-2LPSTJF).

## Order From:

CTS CORPORATION, RESISTOR/ELECTROCOMPONENTS / 406 Parr Road / Berne, Indiana 46711

TEL: (260) 589-3111 / FAX: (260) 589-3243 http://www.ctscorp.com

CTS COMPONENTS TAIWAN, LTD. / 7, Central 6th Road / Kaohsiung Export Processing Zone

/ Kaohsiung, Taiwan 806, Rep. of China

TEL: (07) 821-6145 / FAX: (07) 811-0040