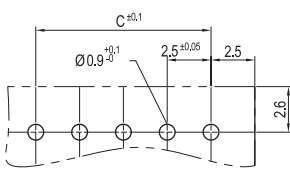
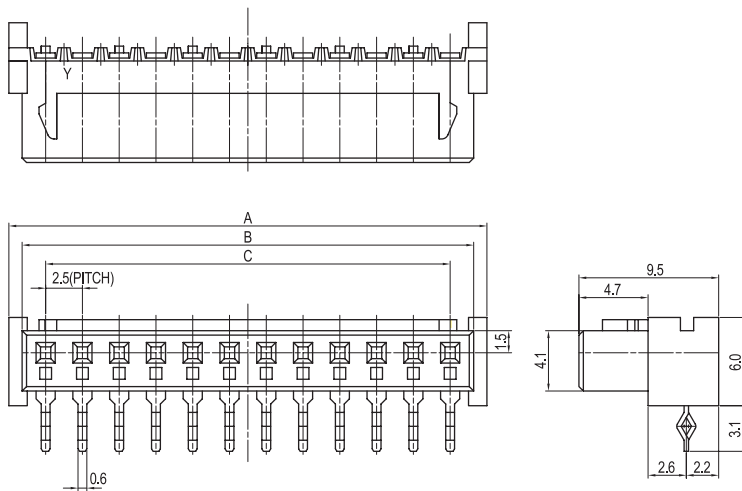
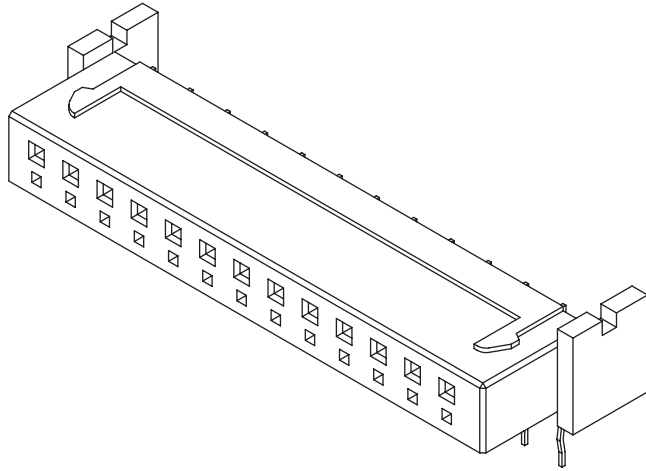


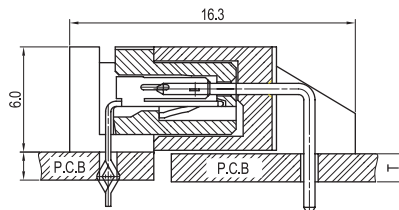
# 2.50mm (0.098") PITCH CONNECTOR

**Board-to-Board  
Housing**

**25043HR-NNP Series**



**P.C.B LAYOUT**



## Material

| I/NO | DESCRIPTION | TITLE   | MATERIAL                    |
|------|-------------|---------|-----------------------------|
| 1    | HOUSING     | 25043HR | PA66, UL94 V Grade          |
| 1    | TERMINAL    | 25043TR | Phosphor Bronze, tin-plated |

## Available Pin

| PARTS NO.   | A    | B    | C    |
|-------------|------|------|------|
| 25043HR-03P | 10.0 | 8.20 | 5.00 |
| 25043HR-04P | 12.5 | 10.7 | 7.50 |
| 25043HR-05P | 15.0 | 13.2 | 10.0 |
| 25043HR-06P | 17.5 | 15.7 | 12.5 |
| 25043HR-07P | 20.0 | 18.2 | 15.0 |
| 25043HR-08P | 22.5 | 20.7 | 17.5 |
| 25043HR-09P | 25.0 | 23.2 | 20.0 |
| 25043HR-10P | 27.5 | 25.7 | 22.5 |
| 25043HR-11P | 30.0 | 28.2 | 25.0 |
| 25043HR-12P | 32.5 | 30.7 | 27.5 |
| 25043HR-13P | 35.0 | 33.2 | 30.0 |
| 25043HR-14P | 37.5 | 35.7 | 32.5 |
| 25043HR-15P | 40.0 | 38.2 | 35.0 |

## Specification

| ITEM                   | SPEC        |
|------------------------|-------------|
| Voltage Rating         | AC/DC 250V  |
| Current Rating         | AC/DC 3A    |
| Operating Temperature  | -25°C~+85°C |
| Contact Resistance     | 30mΩ MAX    |
| Withstanding Voltage   | AC500V/1min |
| Insulation Resistance  | 500MΩ MIN   |
| Applicable Wire        | -           |
| Applicable P.C.B       | 1.2mm~1.6mm |
| Applicable FPC/FFC     | -           |
| Solder Height          | -           |
| Crimp Tensile Strength | -           |
| UL FILE NO             | -           |