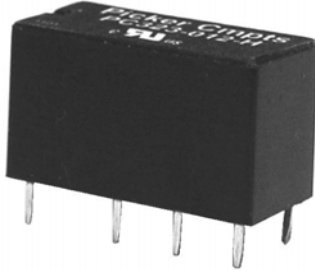




Subminiature PCB Telecom Relay With Bifurcated Contacts **PC323**



FEATURES

- Subminiature design
- DIL Package for PC board or socket
- Contact capacity from 1 mA to 2 A
- Meets FCC part 68 voltage surge
- Class "B" insulation standard
- Three coil sensitivities available
- Bifurcated crossbar contacts

File # E86876

CONTACT RATINGS

Contact Form	2 Form C DPDT (crossbar contacts)
Switching Current Range	1 mA to 2 A
Switching Voltage Range	10 mVAC - 250VAC; 10 mVDC - 220 VDC
Max. Continuous Current	2 Amps
Switching Power Range	10 micro W to 30 W / 62.5 VA
UL Rated Loads	1A / 24 VDC 0.5A / 125 VAC

CONTACT DATA

Material	AgNi + Au (Silver Nickel + Gold Clad) AgPd + Au (Silver Palladium + Gold Clad)	
Initial Contact Resistance	50 mOhm max @ 1mA, 20mV, 1KHz, meets DIN 4160 part 4	
Service Life	Mechanical	1 X 10 ⁵ Operations
	Electrical	1 X 10 ⁸ Operations

COIL DATA

Type	Coil Voltage	Resistance Ohms ± 10%	Must Operate Voltage Max. (VDC)	Allowable Operating Voltage Range	Hold Voltage	Must Release Voltage
Standard 0.45 W	3	20	2.1	2.1 - 7.0	1.0	0.3
	5	56	3.3	3.3 - 7.8	1.25	0.5
	6	80	4.0	4.0 - 9.7	1.5	0.6
	12	320	8.0	8.0 - 19.4	3	1.2
	24	1280	15.9	15.9 - 37.6	6	2.4
H Sensitive 0.2 W	48	5000	33.0	33.0 - 74.2	12	4.8
	5	125	3.5	3.5 - 12.5	1.25	0.5
	6	180	4.2	4.2 - 15.0	1.5	0.6
	9	405	6.3	6.3 - 27.5	6.75	0.9
	12	720	8.4	8.4 - 30	9	1.2
L Sensitive 0.15 W	24	2880	16.8	16.8 - 60	18	2.4
	48	11520	33.6	33.6 - 121.4	38	4.8
	3	60	2.1	2.1 - 13.5	1.125	0.15
	5	167	3.5	3.5 - 15	1.25	0.25
	6	240	4.2	4.2 - 18	1.5	0.3
	12	960	8.4	8.4 - 35.6	3	0.6
	24	2880	16.8	16.8 - 60	6	1.2
	48	7680	33.6	33.6 - 80	12	2.4

Note: Custom coil voltages within the ranges shown are available on special order.

ORDERING INFORMATION

Example:	PC323	-12	P	H
Model				
Coil Voltage				
Contact Material				
Nil: AgNi + Au; P: AgPd + Au				
Sensitivity				
Nil: Standard .450 W; H: 0.2 W; L: 0.15 W				

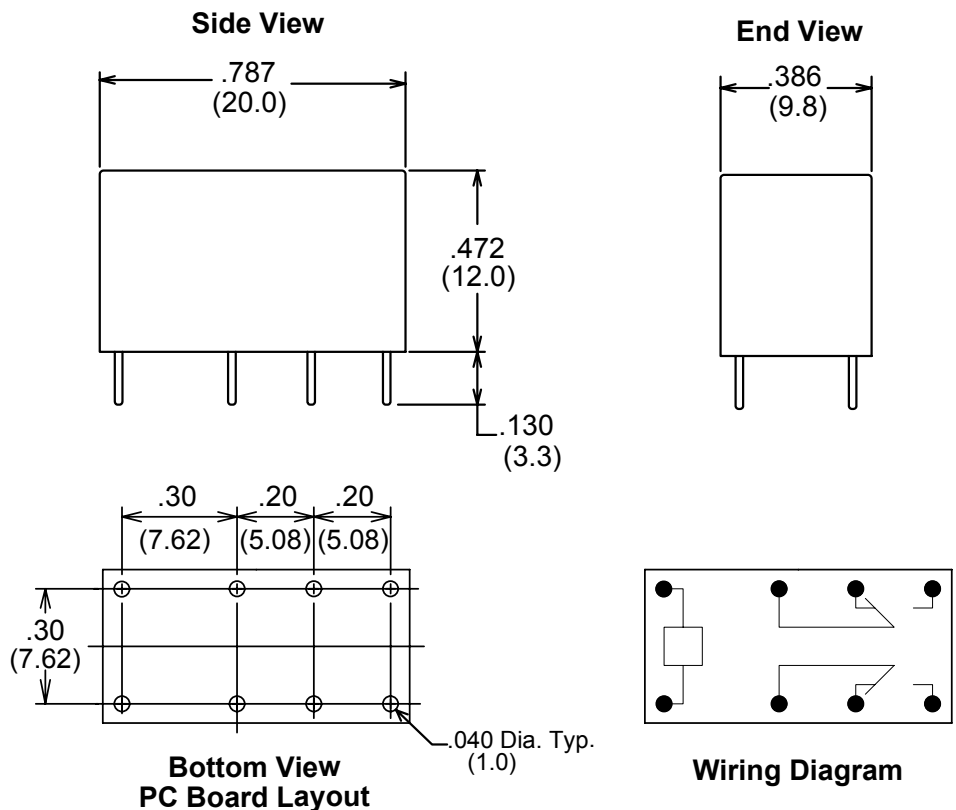


3220 Commander Drive, Suite 102, Carrollton, Texas 75006
Sales: Call Toll Free (888)997-3933 Fax (818) 342-5296 email: pickerwest@sbcglobal.net URL: pickercomponents.com

CHARACTERISTICS

Type	Standard	Sensitive H & L
Operate Time	5 ms. max.	5 ms. max.
Operate Bounce	1 ms. typical	0.5 ms. typical
Release Time	3 ms. max.	5 ms. max.
Release Bounce	2.5 ms. typical	3 ms. typical
Insulation Resistance	1000 Megohms min. at 500 VDC, 50% RH	
Dielectric Strength	1000 V rms, 1 min. between coil and contacts and between adjacent parts 1000 V rms, 1 min. between open contacts	
Surge Strength	1500 V, between coil and contacts (FCC Part 68)	
Capacitance	0.7 pf max. between contacts; 0.9 pf max. between adjacent poles; 1.0 pf max. between coil and contacts	
Shock Resistance	50 g, 11 ms.	
Vibration Resistance	10 g, 10 - 70 Hz	
Allowable Max. Power Consumption at 20 C	1.02 W	
Ambient Temperature	-40 degrees C to 90 degrees C (-40 degrees C to 80 degreeec C for 0.3 w coil)	
Power Consumption	0.45 W	0.15 to 0.3 W
Weight	4.5 grams approx.	

**Dimensions in Inches (millimeters)
Drawings are 2X actual size**



Notes:

Tolerances \pm .010 unless otherwise noted



3220 Commander Drive, Suite 102, Carrollton, Texas 75006

Sales: Call Toll Free (888) 997-3933 Fax (818) 342-5296 email: pickerwest@sbcglobal.net URL: pickercomponents.com