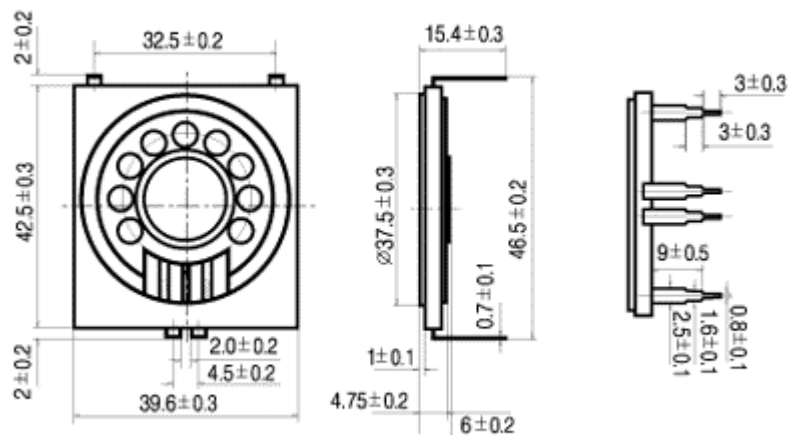




Type	BMS-3608H
Rated Impedance(Ω)	$8 \pm 15\%$
Rated(Max.) Power(W)	0.25(0.5)
Resonant Frequency(Hz)	450 ± 100
Rated Freq.Range(Hz)	$f_0 \sim 5000$
Sound Pressure Level(dB)	83 ± 3
Magnet(g)	1.1
Operating Temperature($^{\circ}\text{C}$)	$-40 \sim +90$

OEM pin or extented wire with connector



Unit:mm

