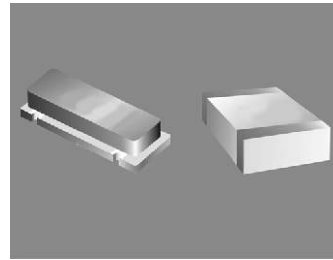


Resonator SMD, 3 Pin

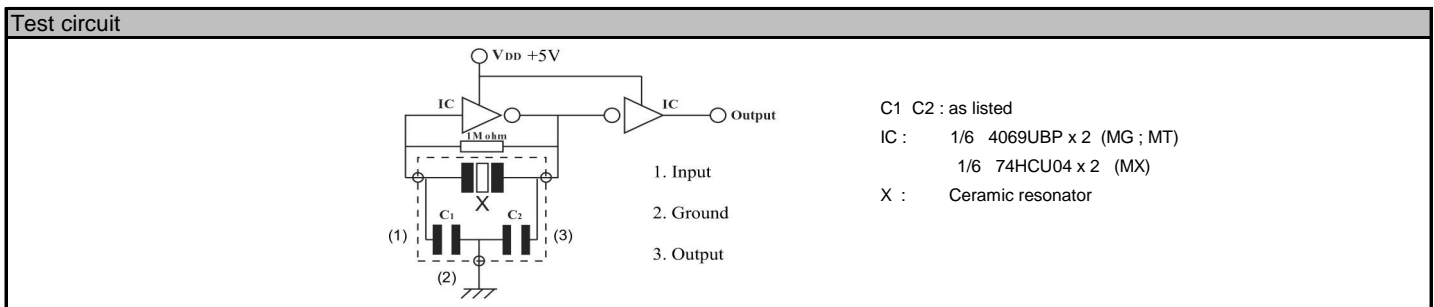
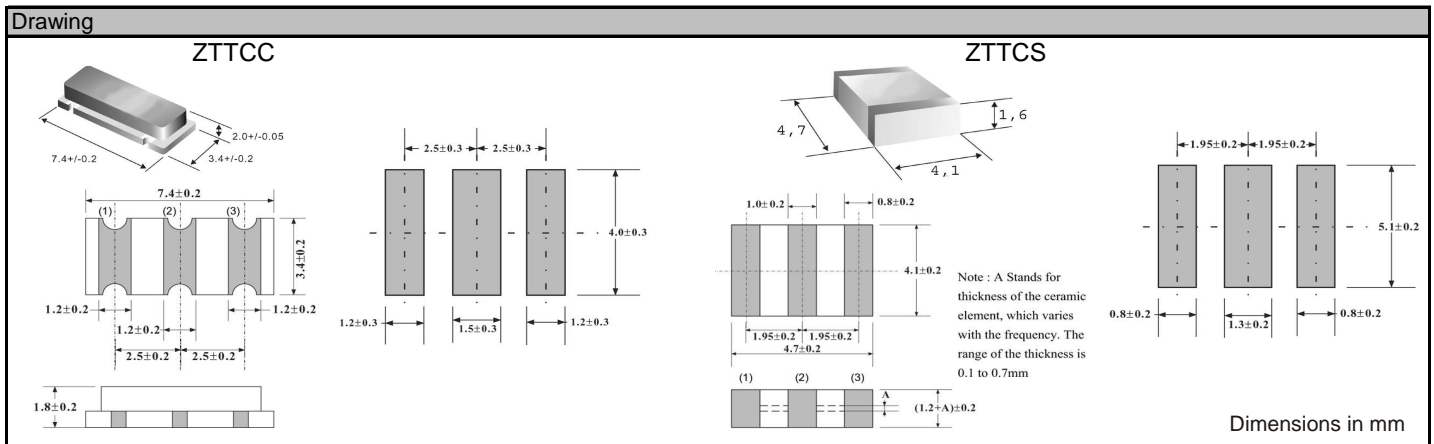
Features:

- Built-in capacitor
- Low cost
- Consumer electronics
- Microprocessor systems
- Excellent for automotive applications



ZTTCC/MG
ZTTCS/MT
ZTTCS/MX

Specifications					
Part		ZTTCC/MG	ZTTCS/MT	ZTTCS/MX	
Frequency range (MHz)		1.84 ~ 8.0	6.0 ~ 13.0	13.01 ~ 40.0	40.01 ~ 50.0
Frequency accuracy (25°C)		+/-0.5%	+/-0.5%	+/-0.5%	
Temp. stability (-20°C ~ +80°C)		+/-0.3%	+/-0.4%	+/-0.3%	
Aging (over 10 years)		+/-0.3%	+/-0.3%	+/-0.3%	
Build-in load capacitance C1 C2 (pF)	C1	22	30	15	5
	C2	22	30	15	5



Order key						
R	- 8.000000M	- ZTTCC/MG	- 0.5	- 0.3	- H	- 22/22
Part	Frequency	Type/Package	Frequency tolerance	Temperature tolerance	Temperature range	Internal load capacitance
R=Resonator	K=KHz M=MHz	ZTTCC/MG ZTTCS/MT ZTTCS/MX	+/-KHz or % (25°C)	+/-% (Temp. range)	H=-20°C ~ +80°C	pF C1/C2

Remarks: All specifications subject to change without notice!