

.050" Mini D Ribbon (MDR) Connectors

Boardmount Thru Hole Right Angle Receptacle — Shielded N102XX-52XXVC Series



- Boardmount thru hole right angle shielded I/O receptacle
- High temperature (SMT compatible) PCT material
- Rugged die cast metal lockstand
- Screw or ground lock board retention
- Ribbon type contact — industry preferred
- Reliable repetitive plugging/unplugging
- Latch design for easy use
- IEEE 1284 interface — 36 position
- Positions: 14, 20, 26, 36, 40, 50, 68, 80 and 100

Date Modified: March 22, 2000

TS-0531-09
Sheet 1 of 3

114

Physical

Insulation

Material: Glass Reinforced Polyester (PCT)
Flammability: UL 94V-0
Color: Beige

Contact

Material: Copper Alloy (C521)
Plating
Underplate: 80 μ " (2.0 μ m) Nickel — QQ-N-290, Class 2
Wiping Area: 30 μ " (0.76 μ m) Min Gold — MIL-G-45204, Type II, Grade C

Body

Material: Zinc Alloy
Plating: Nickel

Shroud and Latch Hook

Material: Steel
Plating: Nickel

Marking: 3M Logo and Part Number

Electrical

Current Rating: 1 A
Insulation Resistance: $> 5 \times 10^8 \Omega$ at 500 VDC
Withstanding Voltage: 500 Vrms for 1 Minute

Environmental

Temperature Rating: -55°C to $+105^\circ\text{C}$
Process: Surface mount compatible up to 240°C peak for short durations.

UL File No.: E68060

3M Interconnect Solutions Division

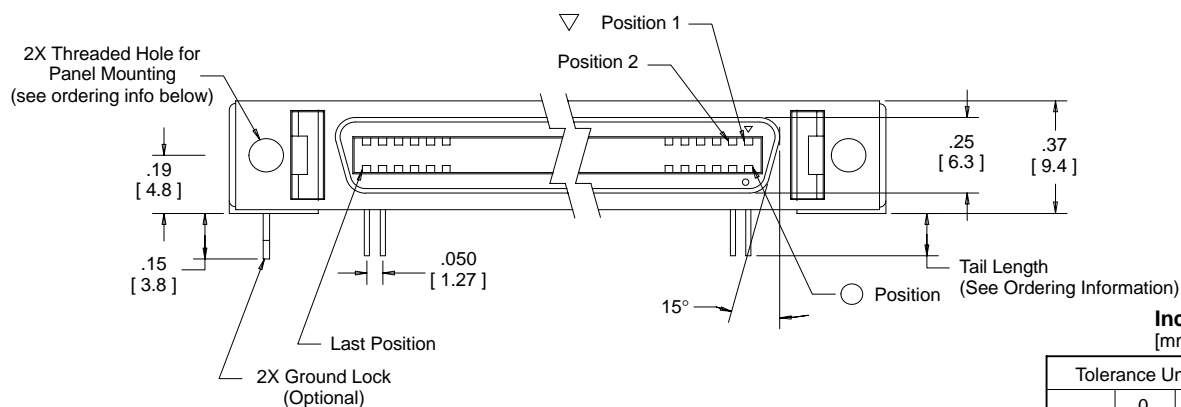
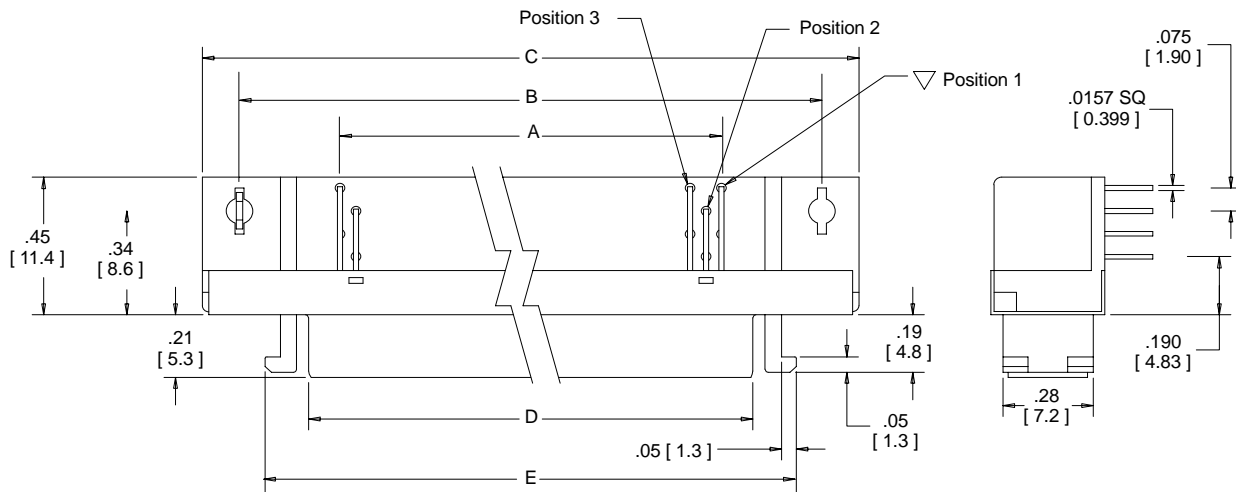
6801 River Place Blvd.
Austin, TX 78726-9000

For technical, sales or ordering information call
800-225-5373

.050" Mini D Ribbon (MDR) Connectors

Boardmount Thru Hole Right Angle Receptacle — Shielded N102XX-52XXVC Series

Contact Quantity	Dimensions				
	A	B	C	D	E
14	0.300 [7.62]	0.93 [23.6]	1.16 [29.5]	0.50 [12.6]	0.77 [19.5]
20	0.450 [11.43]	1.08 [27.5]	1.31 [33.4]	0.65 [16.4]	0.92 [23.4]
26	0.600 [15.24]	1.23 [31.3]	1.46 [37.2]	0.80 [20.2]	1.07 [27.2]
36	0.850 [21.59]	1.48 [37.6]	1.71 [43.5]	1.05 [26.6]	1.32 [33.5]
40	0.950 [24.13]	1.58 [40.2]	1.81 [46.1]	1.15 [29.1]	1.42 [36.1]
50	1.200 [30.48]	1.83 [46.5]	2.06 [52.4]	1.40 [35.5]	1.67 [42.4]
68	1.650 [41.91]	2.28 [57.9]	2.51 [63.8]	1.85 [46.9]	2.12 [53.8]
80	1.950 [49.53]	2.58 [65.6]	2.81 [71.5]	2.15 [54.5]	2.42 [61.5]
100	2.450 [62.23]	3.08 [78.3]	3.31 [84.2]	2.65 [67.2]	2.92 [74.2]



Inch [mm]		
Tolerance Unless Noted		
	.0	.00
	.000	
Inch	±.1	±.01
	±.005	

[] Dimensions for Reference only

Ordering Information

N102XX-52XXVC

Contact Quantity
(See Table)
A0 = 100 pos.

Tail Length
2 = .15 [3.9] (Standard)
3 = .11 [2.8] (Special Order)

Panel/Board Retention Features

Positions 14–40: 1 = M2.5 panel/M2.5 screw lock
 B = M2.5 panel/ground lock
 G = M2.5 panel / with .086 [2.2] ground lock (Special Order see note)
 Positions 50–100: 4 = 4–40 panel/4–40 screw lock
 E = 4–40 panel/ground lock
 G = 4–40 panel/with .086 [2.2] ground lock (Special Order see note)

Note: Option G is used with the 52X3 Tail length only.

TS-0531-09
Sheet 2 of 3

3M Interconnect Solutions Division

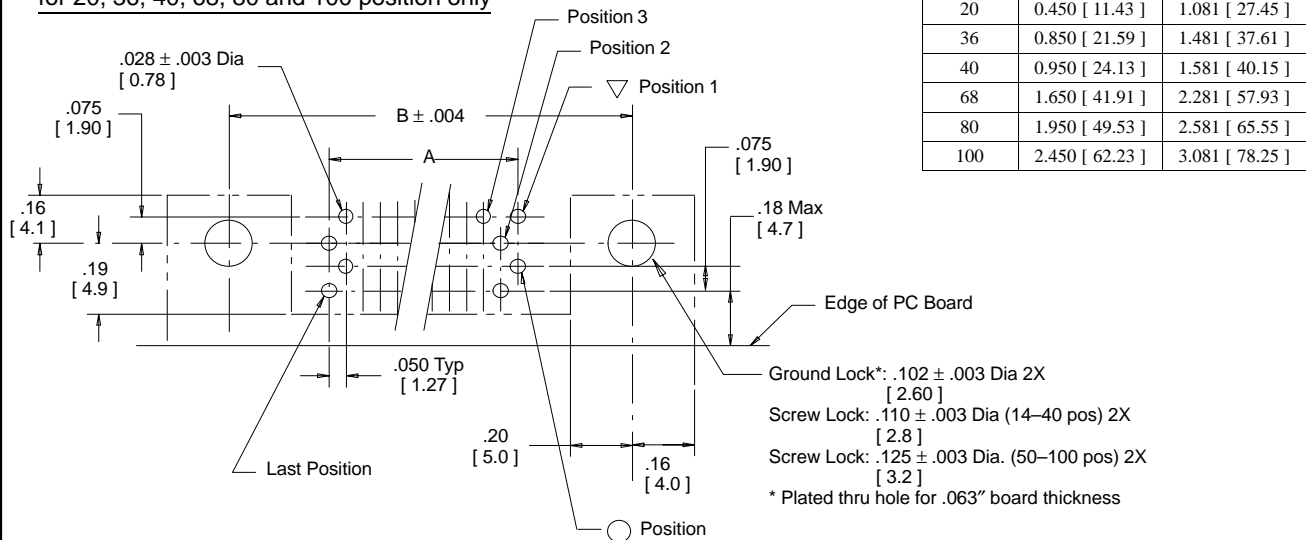
6801 River Place Blvd.
Austin, TX 78726-9000

For technical, sales or ordering information call
800-225-5373

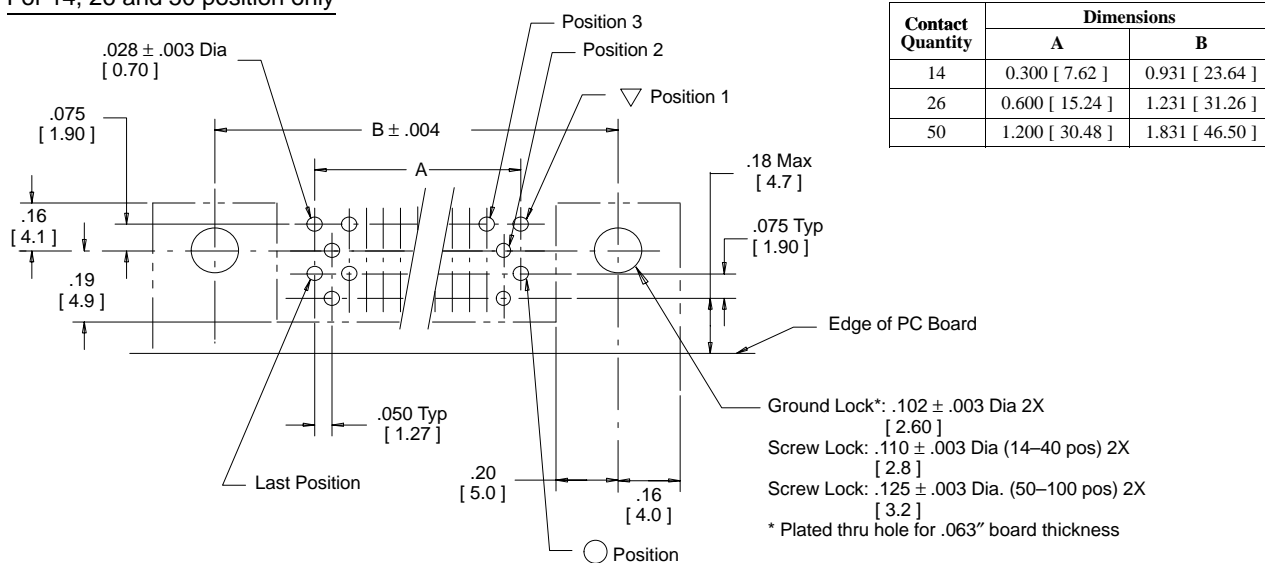
.050" Mini D Ribbon (MDR) Connectors

Boardmount Thru Hole Right Angle Receptacle — Shielded N102XX-52XXVC Series

Recommended Board Layout
Viewed from Connector Side
for 20, 36, 40, 68, 80 and 100 position only

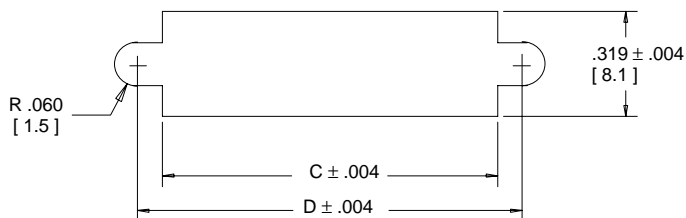


For 14, 26 and 50 position only



Recommended Panel Cut-out

Note: Panel thickness .079 [2.00] Max.



Contact Quantity	Dimensions	
	C	D
14	.78 [19.9]	.93 [23.64]
20	.94 [23.8]	1.08 [27.45]
26	1.09 [27.6]	1.23 [31.26]
36	1.33 [33.9]	1.48 [37.61]
40	1.44 [36.5]	1.58 [40.15]
50	1.69 [42.8]	1.83 [46.50]
68	2.13 [54.2]	2.28 [57.93]
80	2.44 [61.9]	2.58 [65.55]
100	2.94 [74.6]	3.08 [78.25]

TS-0531-09
Sheet 3 of 3

3M Interconnect Solutions Division

6801 River Place Blvd.
Austin, TX 78726-9000

For technical, sales or ordering information call
800-225-5373