

**Single Junction Gull Wing Circulator
950 MHz—956 MHz**

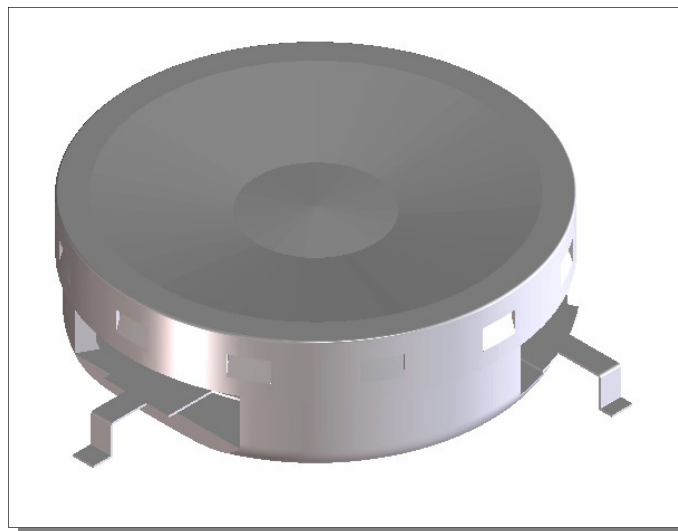
**MAFRIN0496
V1**

Features

- Designed for RFID market
- 22dB Isolation typical
- 0.25dB Insertion Loss
- Low cost package
- 260°C Reflow Compatible
- RoHS* Compliant Version of the MAFRIN0453

Description

This circulator is designed specifically for RFID applications and features high reliability performance at a low cost. It is in a low cost package ideally suited for high volume manufacturing. M/A Com is one of the largest suppliers of isolator and circulators in the world.



Electrical Specifications: T_A = +25°C, Z₀ = 50 Ohms

Parameter	Test Conditions	Units	Min	Typ	Max
Frequency Range	Over T _{op} ¹	MHz	950		956
Insertion Loss	950 MHz—956 MHz, over T _{op}	dB		0.21	0.25
Isolation	950 MHz—956 MHz, over T _{op}	dB	23.0	29.0	
Return Loss	950 MHz—956 MHz, all ports, over T _{op}	dB	23.0	28.0	
Circulation	Over T _{op}			CW	

1. See "Absolute Maximum Ratings" for T_{op}.

Absolute Maximum Ratings

Parameter	Absolute Maximum
Forward Power	100 Watts
Operating Temperature	-10°C to +85°C
Storage Temperature	-40°C to +100°C

1. Operation of this device above any one of these parameters may cause permanent damage.

* Restrictions on Hazardous Substances, European Union Directive 2002/95/EC.

**Single Junction Gull Wing Circulator
950 MHz—956 MHz**

**MAFRIN0496
V1**

Ordering Information

Part Number	Packaging
MAFRIN0496	Tape and Reel

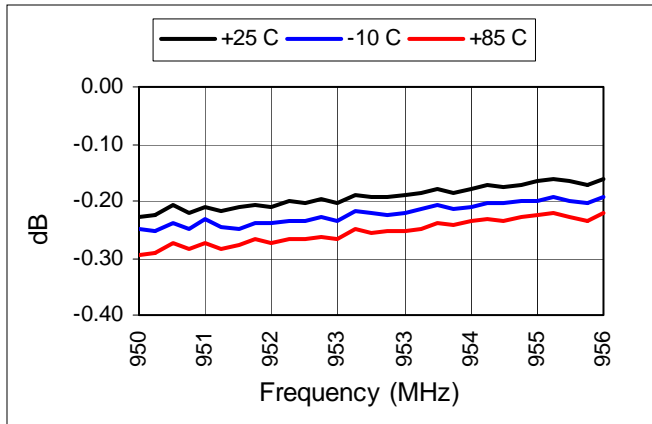
Environmental Specifications

Devices are designed to function after exposure to the shock, vibration, thermal shock and moisture conditions typically encountered in base station and other infrastructure environments.

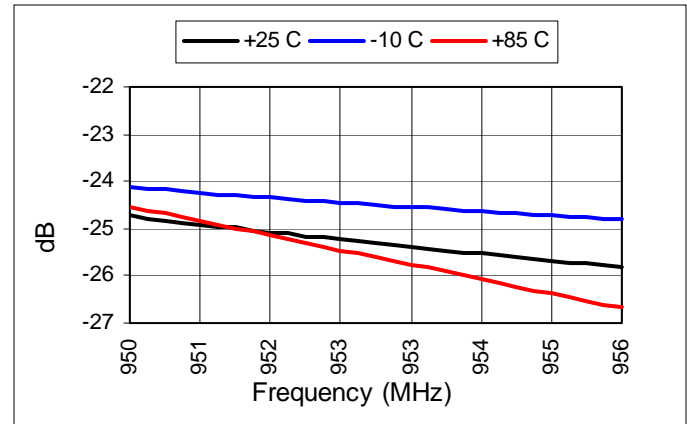
S-Parameters

S-parameters are available on the M/A Com web-site at: [S-Parameters](#)

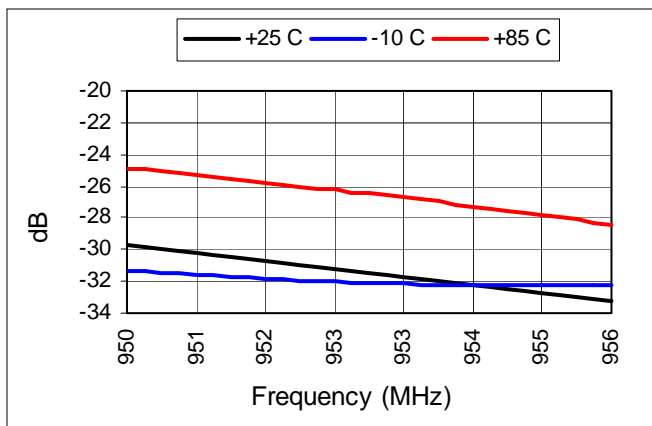
Insertion Loss (S21)



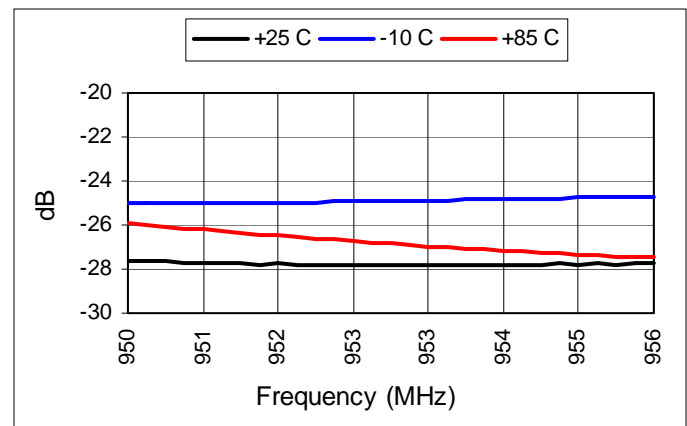
Isolation (S12)



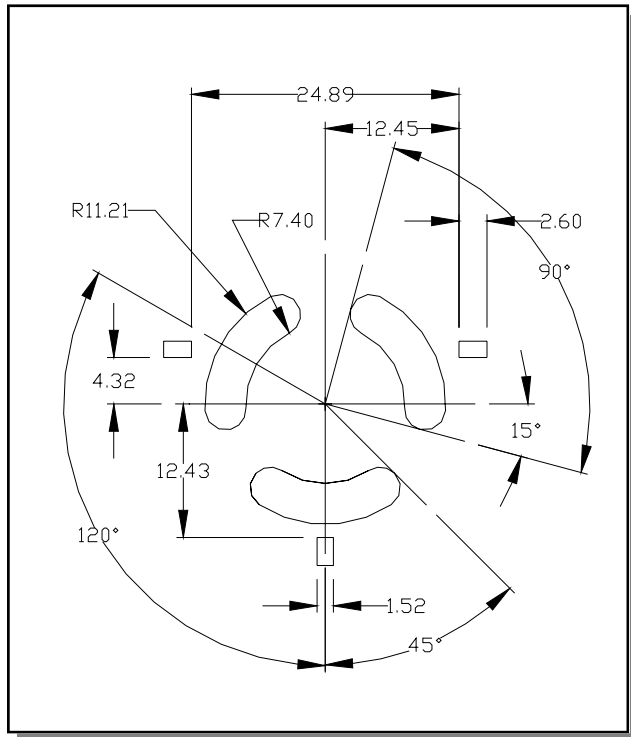
Return Loss (S11)



Return Loss (S22)

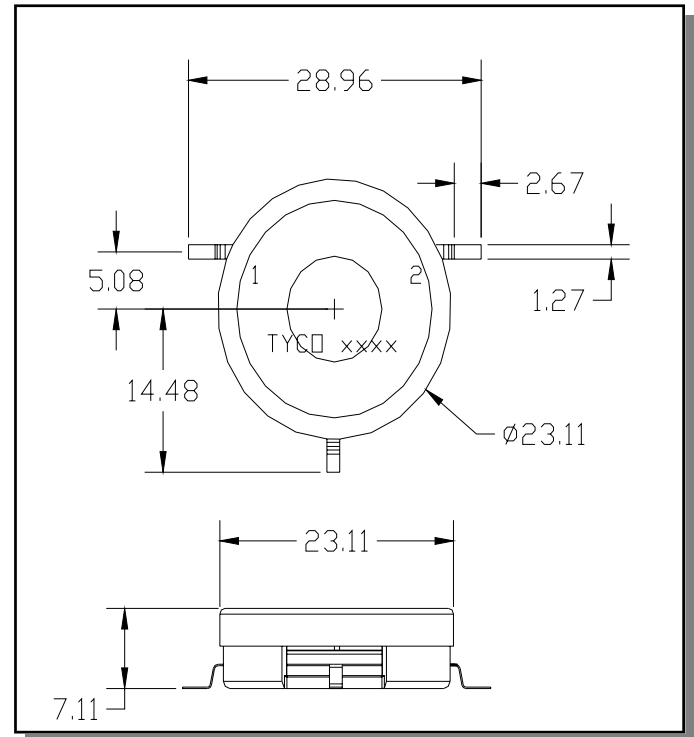


Recommended PCB Layout



1. Dimensions in mm.
2. Tolerances: ± 0.2 mm unless otherwise noted.
3. Use multiple plated thru holes in ground area under the housing.

Outline Drawing



1. Dimensions in mm.
2. Tolerances: ± 0.3 mm unless otherwise noted.
3. Housing: Cold Rolled Steel with Sn 100% plating.
4. Cover: CRS with Sn 100% plating.
5. Leads: Copper.