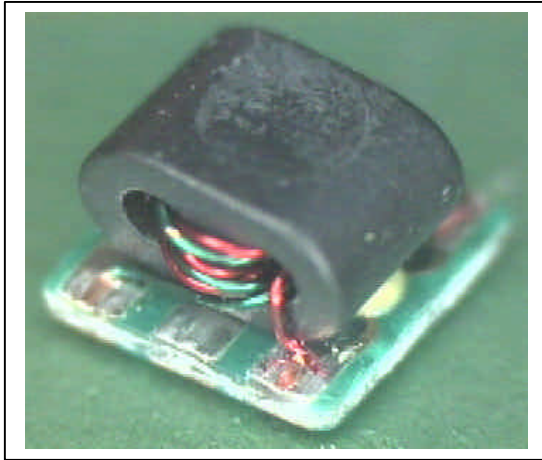
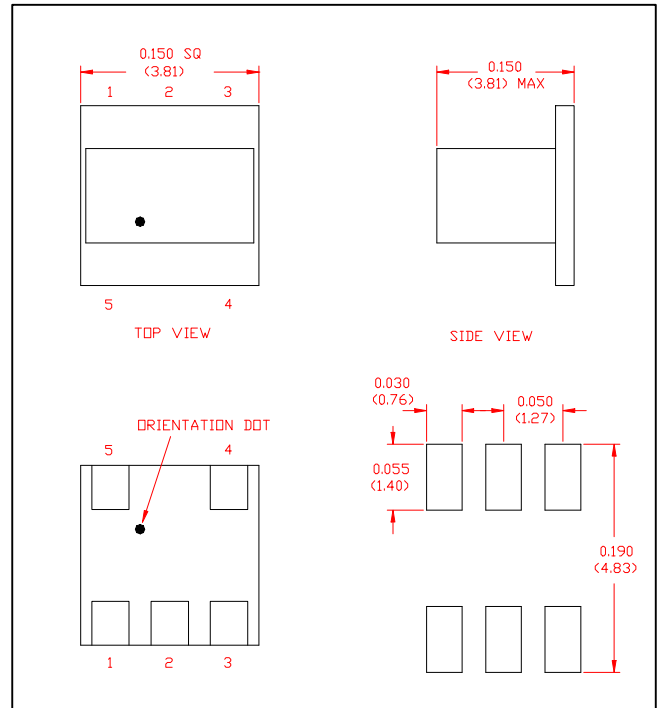


1:1 Tx Line Balun Transformer

4.5 – 3000 MHz



SM-155 Package



Dimensions in inches [mm] Tolerance: .xx ± .02, .xxx ± .010

Features

- Surface Mount
- 1:1 Impedance
- Available on Tape & Reel
- 75 Ω

Description

M/A Com’s MABACT0034 is a 1:1 RF transmission line transformer in a low cost, surface mount package. Ideally suited for high volume CATV/Broadband applications.

Electrical Specifications @ 25°C, Z₀ = 75 Ohms

Frequency Range 4.5 - 3000 MHz	Test Conditions	Nominal	Units	Min.	Typ.	Max.
Insertion Loss	4.5 - 1000 MHz	—	dB	—	0.8	1.0
	1000 - 2000 MHz	—	dB	—	1.6	2.0
	2000 – 3000 MHz	—	dB	—	2.5	3.5
Amplitude Unbalance	4.5 –3000 MHz	—	dB	—	0.5	1.0
Phase Unbalance	4.5 –3000 MHz	—	°	—	10°	20°

Note: Specifications subject to change without notice.

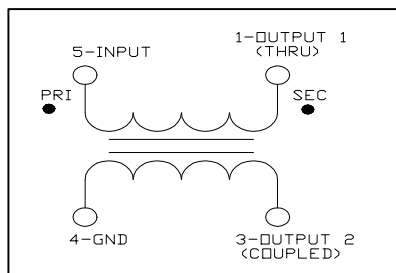
Absolute Maximum Ratings

Parameter	Absolute Maximum
RF Power	250 mW
DC Current	30 mA
Storage Temperature	-40°C to +85° C
Operating Temperature	-40°C to +85° C

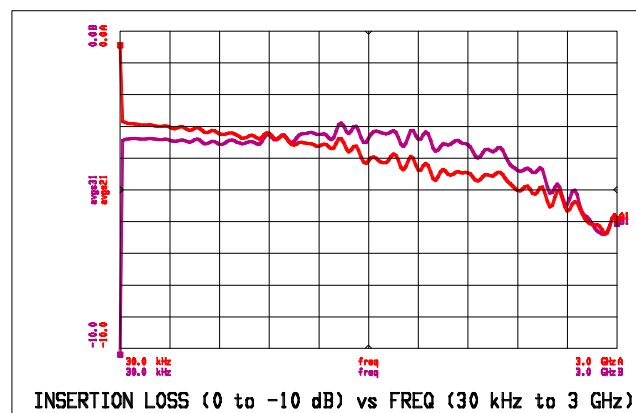
Operating Characteristics

Function	Pin No.
Primary Dot (Input)	5
Primary (Ground)	4
Secondary Dot (Output)	1
Secondary (Output)	3
Secondary Center Tap	-

Schematic



Typical Performance @ +25° C



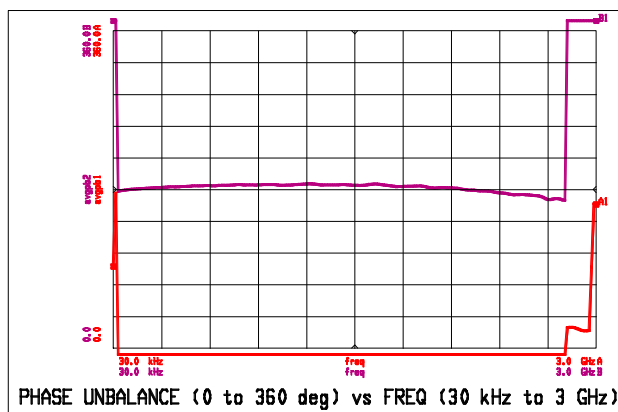
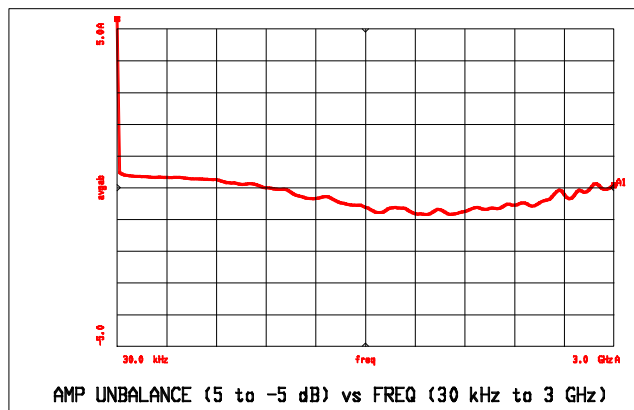
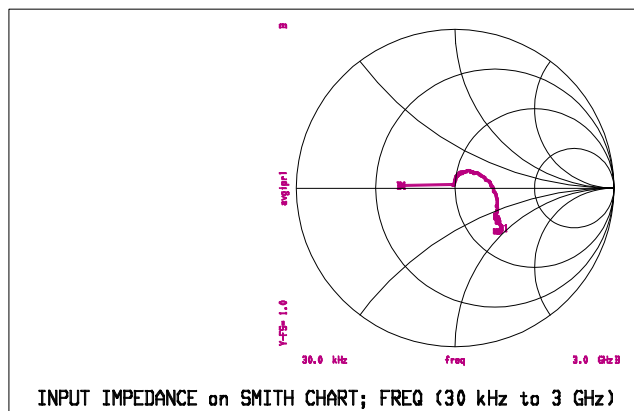
Rev -

Specifications subject to change without notice.

- North America: Tel. (800) 366-2266, Fax (800) 618-8883
- Asia/Pacific: Tel.+81-44-844-8296, Fax +81-44-844-8298
- Europe: Tel. +44 (1908) 574 200, Fax+44 (1908) 574 300

Visit www.macom.com for additional data sheets and product information.





Rev -

Specifications subject to change without notice.

- North America: Tel. (800) 366-2266, Fax (800) 618-8883
- Asia/Pacific: Tel.+81-44-844-8296, Fax +81-44-844-8298
- Europe: Tel. +44 (1908) 574 200, Fax+44 (1908) 574 300

Visit www.macom.com for additional data sheets and product information.

