

GPS Low Noise Amplifier
1.5 - 1.7 GHz

MAALSS0027
V1

Features

- High Gain: 20 dB
- Low Noise Figure: 1.5 dB
- Good 50 Ω Input / Output Match
- Single +3 V to +5 V Bias
- Adjustable Current
- Low Cost Plastic SOT-26 Package

Description

M/A-COM's MAALSS0027 is a GaAs MMIC low noise amplifier in a low-cost SOT-26 surface mount plastic package. It employs a monolithic 2-stage design featuring a convenient 50-ohm input/output impedance that minimizes the number of external components required.

The MAALSS0027 is optimized for the GPS frequency of 1.575 GHz. It operates with a single 3 volt to 5 volt supply and has an off chip resistor that can be used to improve the linearity performance.

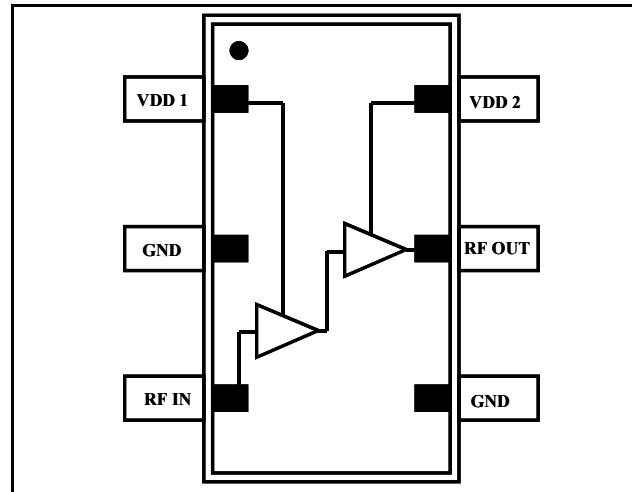
The MAALSS0027 is fabricated using M/A-COM's E/D process to realize low noise and high dynamic range. The process features full passivation for increased performance and reliability.

Ordering Information

Part Number	Package
MAALSS0027	Bulk Packaging
MAALSS0027TR-3000	3000 piece reel
MAALSS0027SMB	Sample Test Board

Note: Reference Application Note M513 for reel size information.

Functional Schematic



Pin Configuration

Pin	Pin Name	Description
1	V _{DD1}	Stage 1 Voltage
2	GND	Ground
3	RF IN	RF input
4	GND	Ground
5	RF OUT	RF output
6	V _{DD2}	Stage 2 Voltage

Absolute Maximum Ratings^{1,2}

Parameter	Absolute Maximum
Input Power	+8 dBm
Operating Voltage	+6 Volts
Operating Temperature	-40°C to +85°C
Storage Temperature	-40°C to +150°C

1. Exceeding any one or combination of these limits may cause permanent damage to this device.
2. M/A-COM does not recommend sustained operation near these survivability limits.

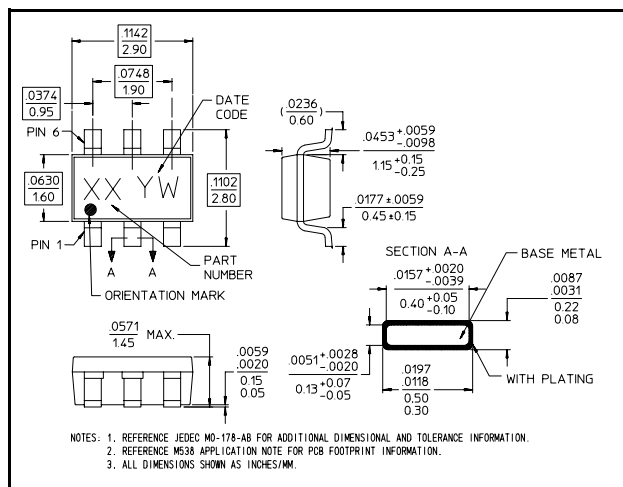
GPS Low Noise Amplifier
1.5 - 1.7 GHz

MAALSS0027
V1

Electrical Specifications: $T_A = 25^\circ\text{C}$, $V_{DD} = 3\text{ V}$, $Z_0 = 50\ \Omega$

Parameter	Test Conditions	Units	Min	Typ	Max
Gain	1.575 GHz	dB	17	20	22
Noise Figure	1.575 GHz	dB	—	1.5	1.9
Input Return Loss	1.575 GHz	dB	—	15	—
Output Return Loss	1.575 GHz	dB	—	15	—
Output 1 dB Compression	1.575 GHz	dBm	—	8.5	—
Output IP3	-28 dBm Input Power, 1 MHz tone separation 1.575 GHz	dBm	12	17	—
Reverse Isolation	1.575 GHz	dB	—	34	—
Current	—	mA	—	9.5	16

SOT-26 Plastic Package



Operating the MAALSS0027

To operate the device, follow these steps:

1. Ramp V_{DD} to desired voltage, typically 3 to 5 V.
2. Set RF input.
3. Power down in reverse sequence.

Handling Procedures

Please observe the following precautions to avoid damage:

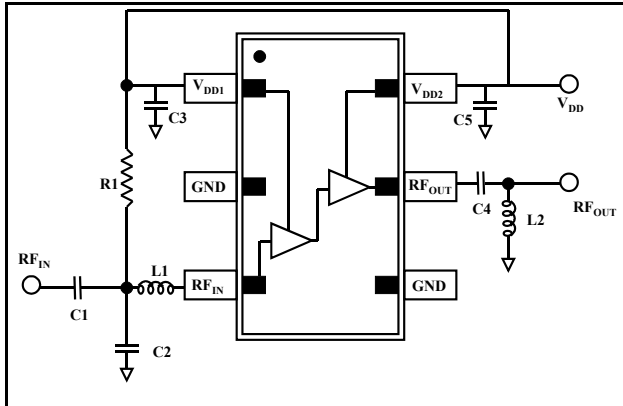
Static Sensitivity

Gallium Arsenide Integrated Circuits are sensitive to electrostatic discharge (ESD) and can be damaged by static electricity. Proper ESD control techniques should be used when handling these devices.

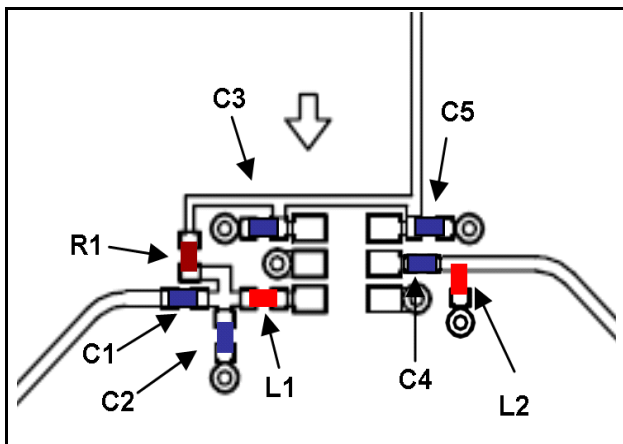
GPS Low Noise Amplifier
1.5 - 1.7 GHz

MAALSS0027
V1

Application Schematic



Recommended PCB Configuration

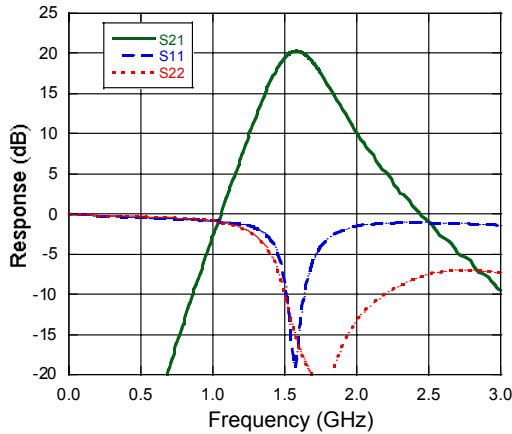


Recommended Tuning for 1.575 GHz

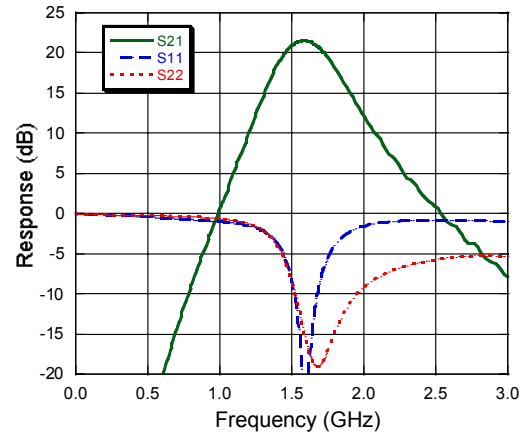
Item	Description	Manufacturer
C1	27 pF Capacitor, 0402 Package, 5%	Murata
C2	1.5 pF Capacitor, 0402 Package, 5%	Murata
C3,C5	0.1 μ F Capacitor, 0402 Package, 5%	Murata
C4	10 pF Capacitor, 0402 Package, 5%	Murata
L1	12 nH Inductor, 0402 Package, 2%	Coilcraft
L2	3.9 nH Inductor, 0402 Package, 2%	Coilcraft
R1	23.7 KOhm Resistor, 0402 Package, 1%	Panasonic

Typical Performance Curves

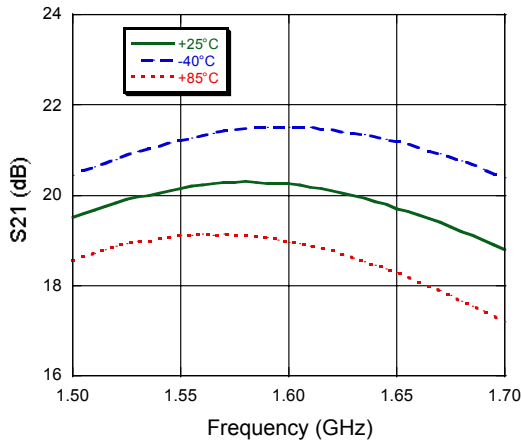
Broadband Gain and Return Loss @ 3 Volts



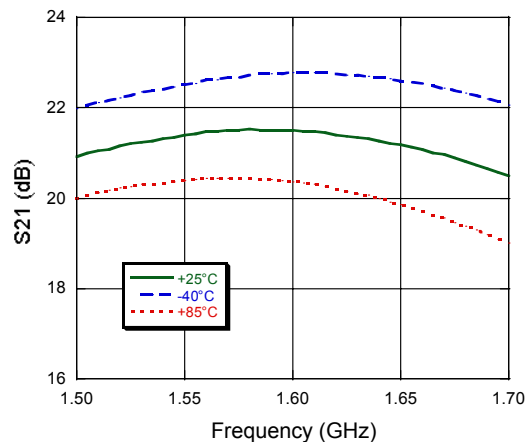
Broadband Gain and Return Loss @ 5 Volts



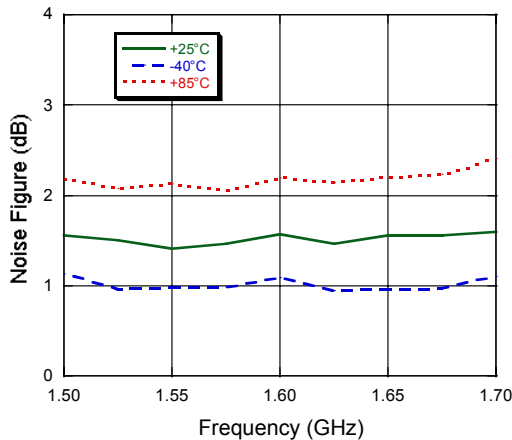
S21 @ 3 Volts



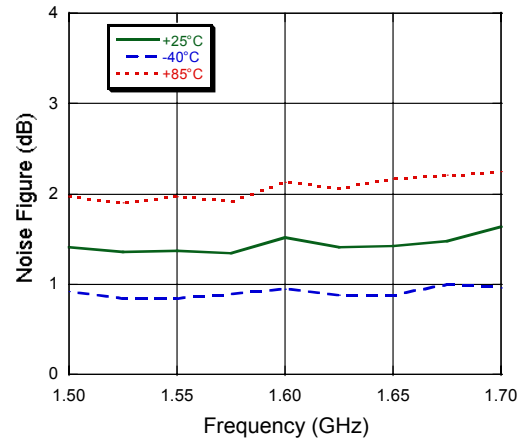
S21 @ 5 Volts



Noise Figure @ 3 Volts

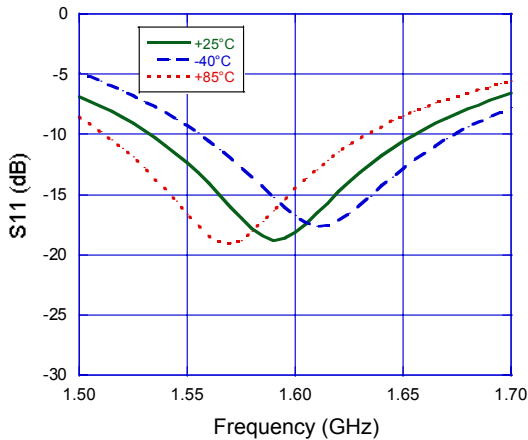


Noise Figure @ 5 Volts

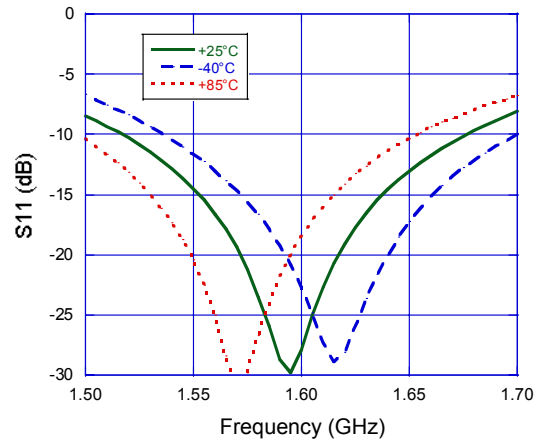


Typical Performance Curves

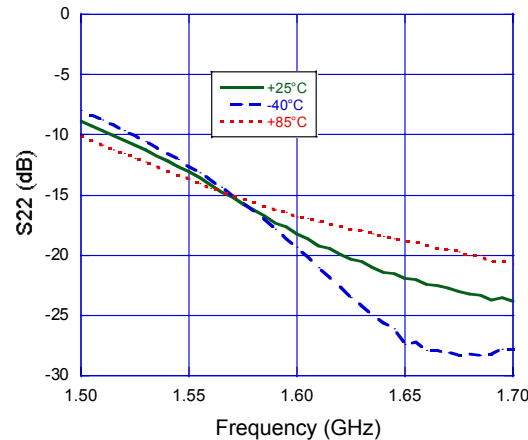
S11 @ 3 Volts



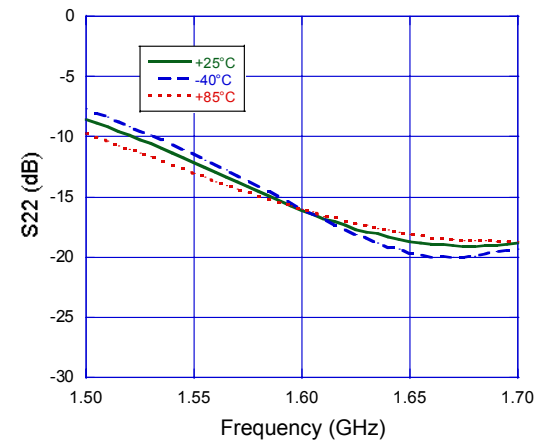
S11 @ 5 Volts



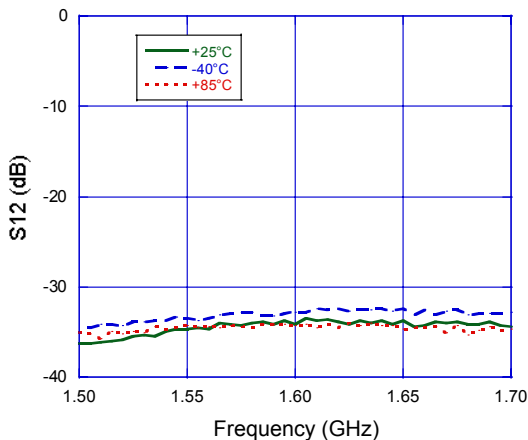
S22 @ 3 Volts



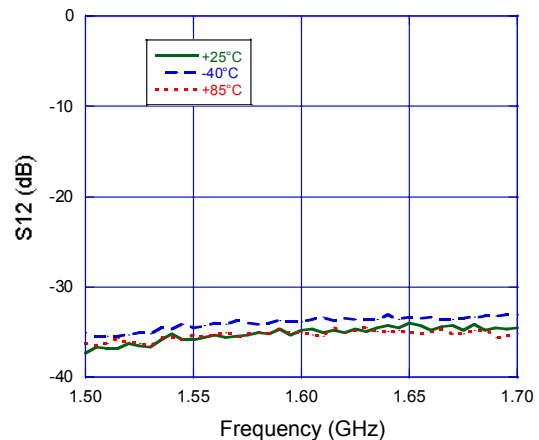
S22 @ 5 Volts



S12 @ 3 Volts



S12 @ 5 Volts

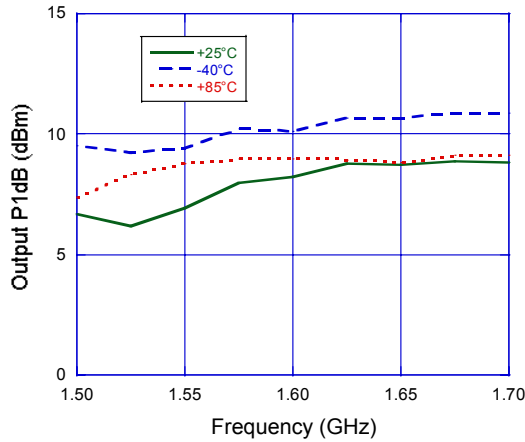


**GPS Low Noise Amplifier
1.5 - 1.7 GHz**

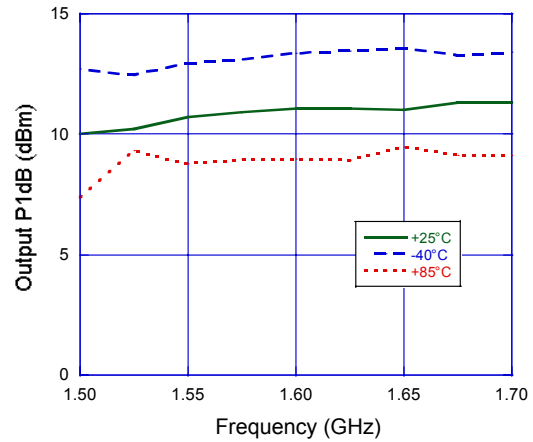
**MAALSS0027
V1**

Typical Performance Curves

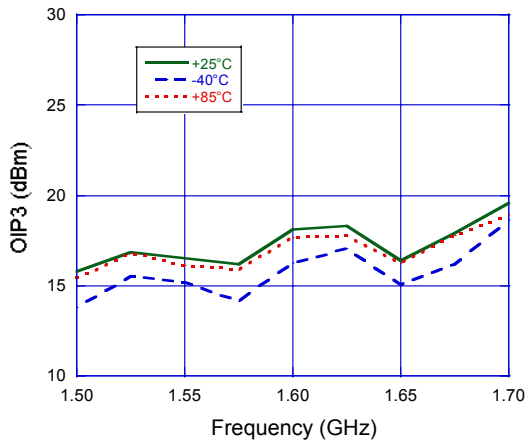
Output P1dB @ 3 Volts



Output P1dB @ 5 Volts



Output IP3 @ 3 Volts



Output IP3 @ 5 Volts

