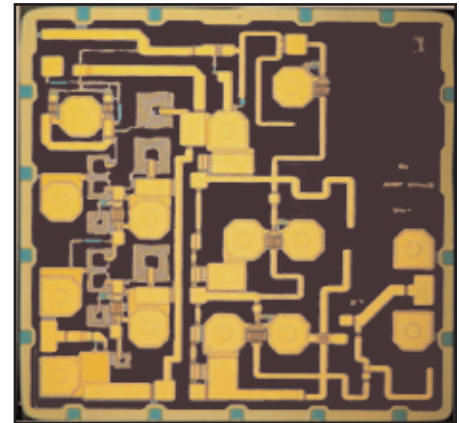


FEATURES

- Integrated Monolithic Doubler
- High Harmonic Rejection
- Single Supply Voltage
- High Reliability

DESCRIPTION

The FMM5118X is a doubler, consisting of an X2 multiplier followed by a buffer amplifier for applications with an output frequency of 20 to 32 GHz. This doubler is uniquely suited for point-to-point radios, local multi-point distribution systems (LMDS) and satellite communications, as it offers a high dynamic range over a large bandwidth.



Eudyna's stringent Quality Assurance Program assures the highest reliability and consistent performance.

ABSOLUTE MAXIMUM RATINGS (Ambient Temperature Ta=25°C)

Parameter	Symbol	Rating	Unit
DC Supply Voltage	$V_{DD1,2}$	8	V
Input Power	P_{in}	10	dBm
Storage Temperature	T_{stg}	-65 to +175	°C

RECOMMENDED OPERATING CONDITIONS

Item	Symbol	Recommend			Unit
		Min.	Typ.	Max.	
DC Supply Voltage	$V_{DD1,2}$	3.0	-	6.0	V
Input Drive Power	P_{in}	0.0	3.0	5.0	dBm
Operating Backside Temperature	T_{bs}	-45	25	110	°C

Note 1: This product should be hermetically packaged.

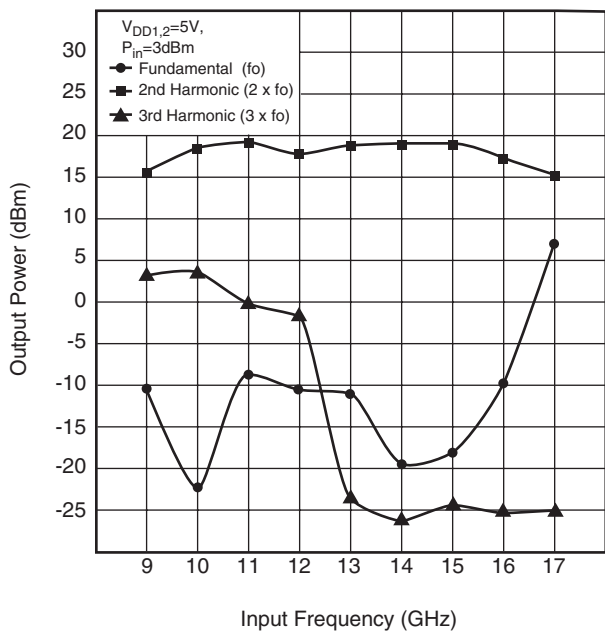
ELECTRICAL CHARACTERISTICS (Ambient Temperature Ta=25°C)

Item	Symbol	Conditions	Limits			Unit
			Min.	Typ.	Max.	
Input Frequency Range	f_{in}	$V_{DD1,2}=5V,$ $P_{in}=3dBm$	10	-	16	GHz
Output Frequency Range	f_{out}		20	-	32	GHz
Output Power	P_{out}		14	18	20	dBm
Conversion Gain	G_c		11	14	17	dB
Conversion Gain Flatness	ΔG		-	2.5	-	dB
Input Return Loss	RL_{in}		-	15	-	dB
Fundamental Rejection	RJ_{1st}		-	25	-	dB
3rd Harmonic Rejection	RJ_{3rd}		-	30	-	dB
DC Current Consumption	I_{DC}		-	100	150	mA
RF Current Consumption	I_{RF}		-	140	200	mA

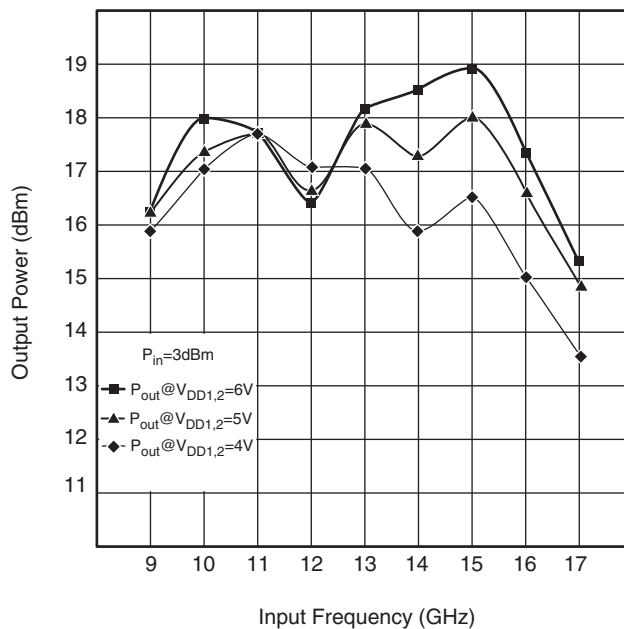
Note 1: The electrical characteristics are measured on a sample basis at 10pcs./wafer. Criteria: (accept/reject)=(0/1)

www.DataSheet4U.com

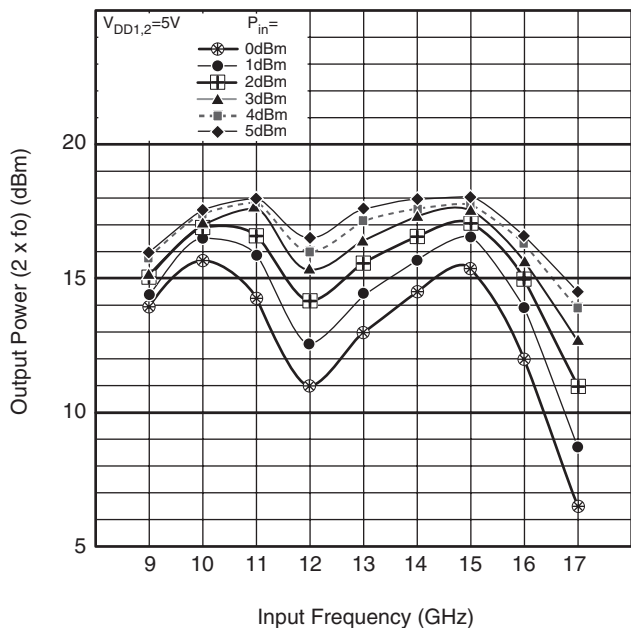
OUTPUT POWER vs. FREQUENCY



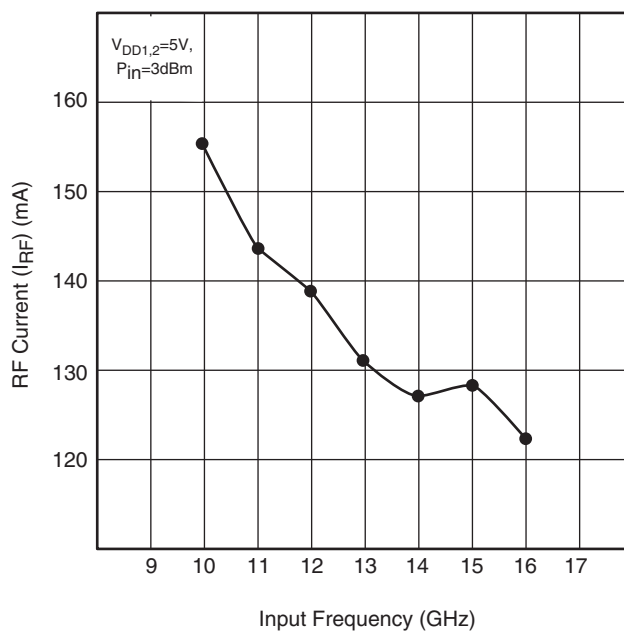
V_{DD}-Output Power Dependency



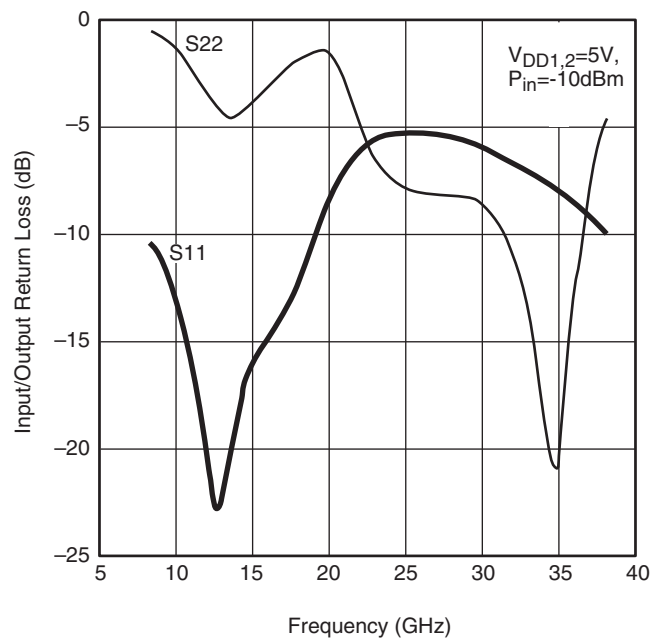
OUTPUT POWER vs. FREQUENCY



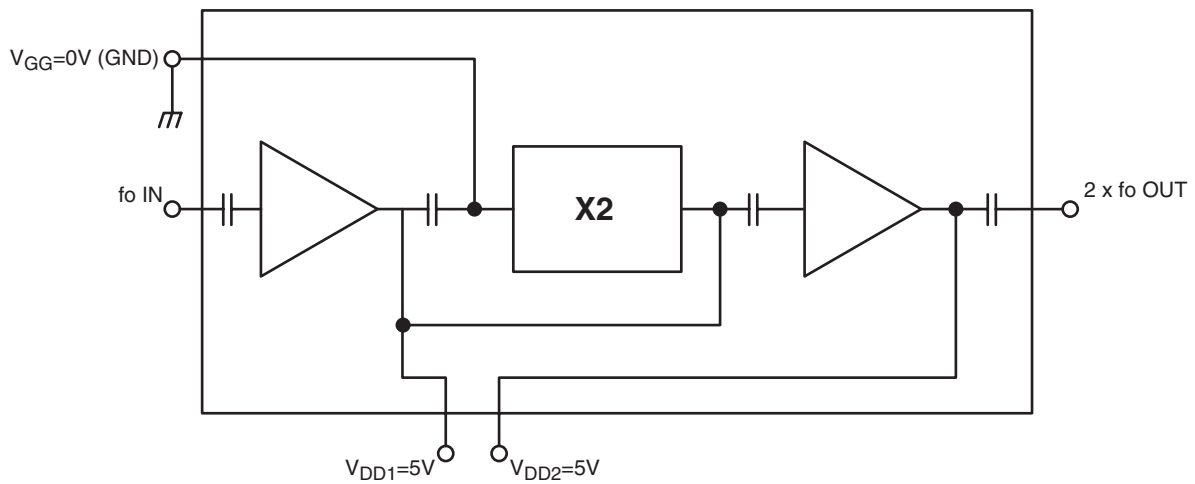
RF CURRENT vs. FREQUENCY



SMALL SIGNAL RETURN LOSS vs. FREQUENCY



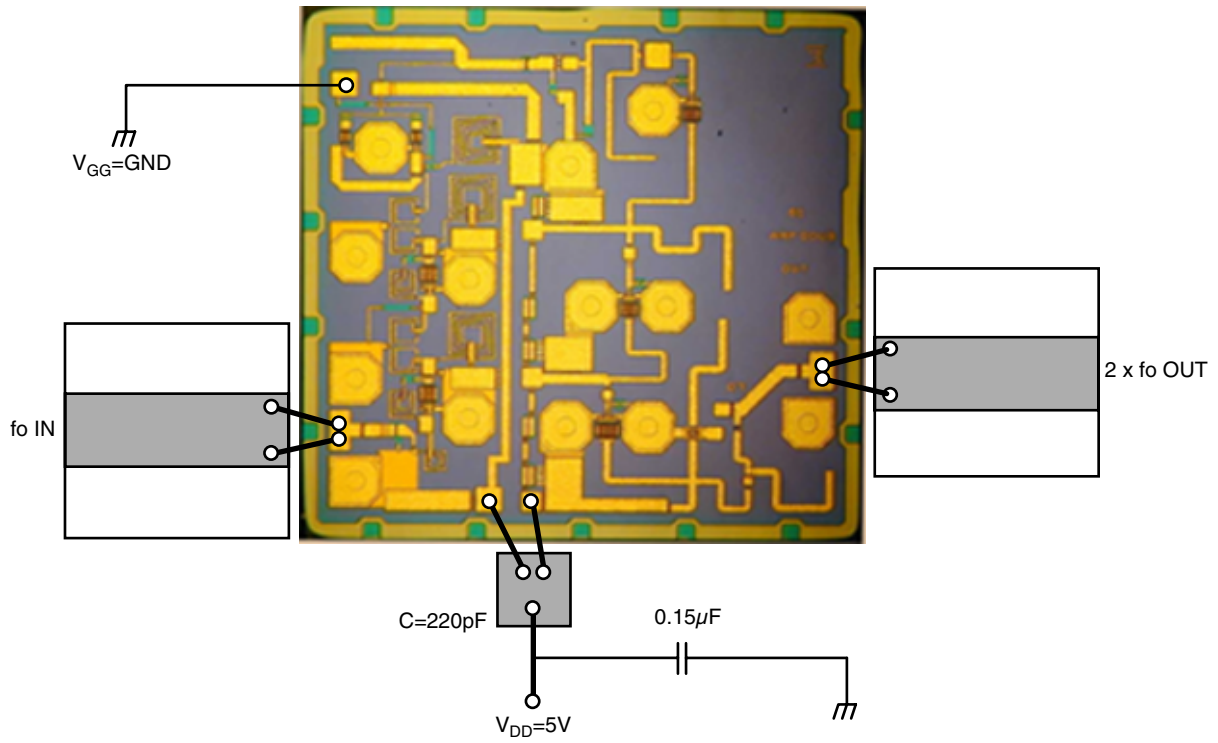
Block Diagram



FMM5118X

20-32GHz Doubler MMIC

Bonding Diagram



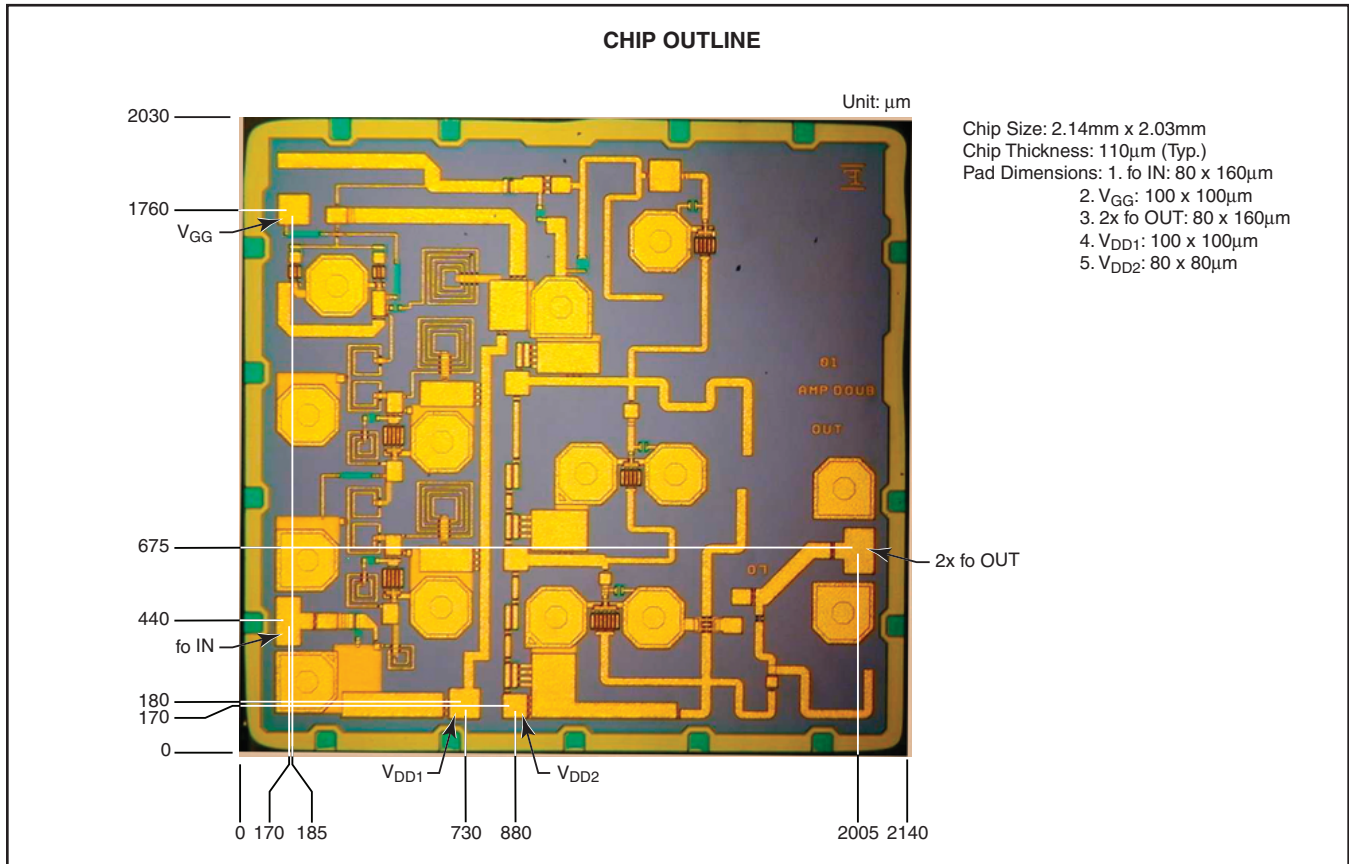
FMM5118X

20-32GHz Doubler MMIC

Notes:

FMM5118X

20-32GHz Doubler MMIC



For further information please contact:

Eudyna Devices USA Inc.

2355 Zanker Rd.
San Jose, CA 95131-1138, U.S.A.
TEL: (408) 232-9500
FAX: (408) 428-9111
www.us.eudyna.com

Eudyna Devices Europe Ltd.

Network House
Norreys Drive
Maidenhead, Berkshire SL6 4FJ
United Kingdom
TEL: +44 (0) 1628 504800
FAX: +44 (0) 1628 504888

Eudyna Devices Asia Pte Ltd.

Hong Kong Branch
Rm. 1101, Ocean Centre, 5 Canton Rd.
Tsim Sha Tsui, Kowloon, Hong Kong
TEL: +852-2377-0227
FAX: +852-2377-3921

Eudyna Devices Inc.

Sales Division
1, Kanai-cho, Sakae-ku
Yokohama, 244-0845, Japan
TEL: +81-45-853-8156
FAX: +81-45-853-8170

CAUTION

Eudyna Devices Inc. products contain **gallium arsenide (GaAs)** which can be hazardous to the human body and the environment. For safety, observe the following procedures:

- Do not put this product into the mouth.
- Do not alter the form of this product into a gas, powder, or liquid through burning, crushing, or chemical processing as these by-products are dangerous to the human body if inhaled, ingested, or swallowed.
- Observe government laws and company regulations when discarding this product. This product must be discarded in accordance with methods specified by applicable hazardous waste procedures.

Eudyna Devices Inc. reserves the right to change products and specifications without notice. The information does not convey any license under rights of Eudyna Devices Inc. or others.

© 2004 Eudyna Devices USA Inc.
Printed in U.S.A.

Eudyna